



US00D888887S

(12) **United States Design Patent**  
**Widom et al.**

(10) **Patent No.:** **US D888,887 S**  
(45) **Date of Patent:** **\*\* Jun. 30, 2020**

(54) **AQUEOUS CONTAMINANT REMOVAL DEVICE**

FOREIGN PATENT DOCUMENTS

(71) Applicant: **Pool Buddy, LLC**, Bedminster, NJ (US)

CN 302173066 S 11/2012  
CN 302186918 S 11/2012  
(Continued)

(72) Inventors: **David R. Widom**, Winchester, MA (US); **Timothy Jebara**, Far Hills, NJ (US); **Nour Jebara**, New York, NY (US)

OTHER PUBLICATIONS

Ocean Blue Water Products, "Alluminium Deep Bag Leaf Rake", retrieved on Feb. 18, 2020, p. 1, available at: [http://oceanbluewaterproducts.com/Pages/rake\\_125010.html](http://oceanbluewaterproducts.com/Pages/rake_125010.html).

(73) Assignee: **Pool Buddy LLC**, Bedminster, NJ (US)

(Continued)

(\*\*) Term: **15 Years**

*Primary Examiner* — Brandon M Rosati

(21) Appl. No.: **29/725,328**

*Assistant Examiner* — Calvin E Vansant

(22) Filed: **Feb. 24, 2020**

(74) *Attorney, Agent, or Firm* — Bochner IP; Andrew D. Bochner

(51) **LOC (12) Cl.** ..... **23-01**

(52) **U.S. Cl.**  
USPC ..... **D23/209**

(57) **CLAIM**

(58) **Field of Classification Search**  
USPC ..... D23/209, 210, 261; D32/35, 46  
CPC ..... E02B 15/08; A01K 97/05; E04H 5/1609;  
E04H 4/1263; B01D 29/27; B01D 29/111; F16J 15/0818; F16J 15/0831; H01R 13/5202

The ornamental design for an aqueous contaminant removal device, as shown and described.

See application file for complete search history.

**DESCRIPTION**

(56) **References Cited**

U.S. PATENT DOCUMENTS

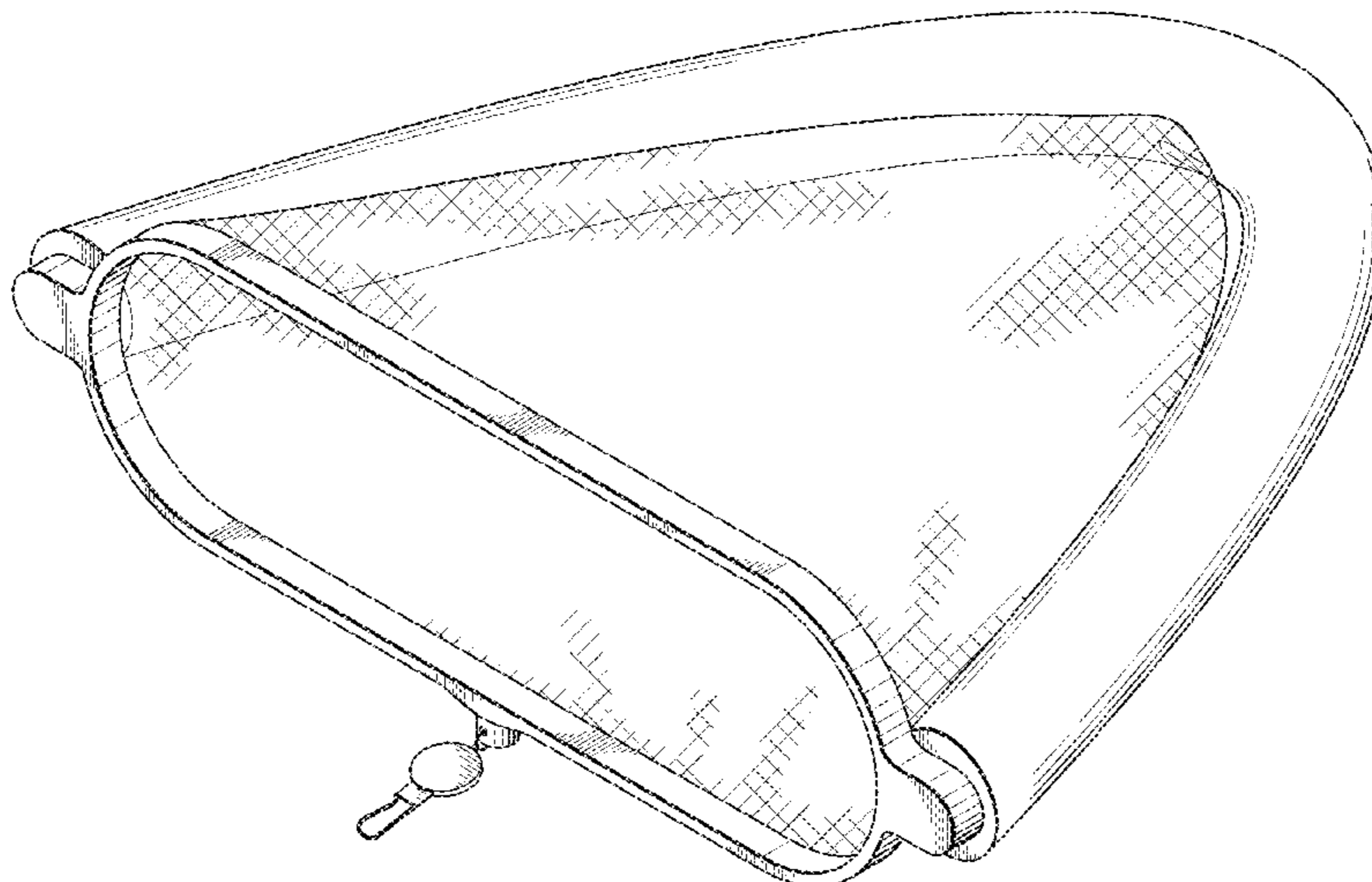
2,782,546	A *	2/1957	Edworthy	.....	A01K 77/00
					43/11
3,220,037	A *	11/1965	Ruhling	.....	E04H 4/1609
					15/1.7
4,176,419	A *	12/1979	MacDonald	.....	A46B 15/0055
					15/1.7
D302,058	S *	7/1989	Brooks	.....	D32/35
D330,444	S	10/1992	Wall et al.		
5,279,728	A *	1/1994	Weiss	.....	E04H 4/1254
					210/167.2
6,383,374	B1 *	5/2002	Splendorio	.....	E04H 4/1254
					210/238

FIG. 1 is a top, front, right side perspective view;  
FIG. 2 is a front elevation view thereof, shown at an enlarged scale;  
FIG. 3 is a rear elevation view thereof, shown at an enlarged scale;  
FIG. 4 is a left side elevation view thereof;  
FIG. 5 is a right side elevation view thereof;  
FIG. 6 is a top plan view thereof; and  
FIG. 7 is a bottom plan view thereof; and,  
FIG. 8 is a Top, front, right side perspective view of an alternate embodiment thereof.

In the drawings, the broken lines are for the purpose of illustrating environment only, and form no part of the claimed design.

(Continued)

**1 Claim, 6 Drawing Sheets**



(56)

**References Cited**

U.S. PATENT DOCUMENTS

D638,183 S 5/2011 Rossano et al.  
7,972,504 B2 \* 7/2011 Weiss ..... E02B 15/08  
210/167.2  
7,984,811 B2 \* 7/2011 Gonzalez ..... E04H 4/1609  
210/470  
8,001,717 B1 \* 8/2011 Bright, II ..... A01K 97/05  
43/55  
9,528,288 B2 \* 12/2016 Fleury ..... E04H 4/1609  
D814,728 S \* 4/2018 Duve ..... D32/46  
D832,540 S \* 10/2018 Larouche ..... D32/35  
D854,120 S \* 7/2019 Bates, Jr. .... D22/135  
D867,706 S \* 11/2019 Maenza ..... D32/46  
D868,206 S 11/2019 Carrière et al.

FOREIGN PATENT DOCUMENTS

EM 002055392-0001 6/2012  
EM 3331529-0009 8/2016

OTHER PUBLICATIONS

Ocean Blue Water Products, "Alluminium Deep Bag Leaf Rake",  
retrieved on Feb. 18, 2020, p. 1, available at: [http://oceanbluewaterproducts.com/Pages/rake\\_125005.html](http://oceanbluewaterproducts.com/Pages/rake_125005.html).  
backyardcitypools.com, "Jet Net Remote Controlled Pool Skimmer",  
retrieved on Feb. 18, 2020, p. 4, available at: <http://www.backyardcitypools.com/maintenance/Jet-Net.htm>.

\* cited by examiner

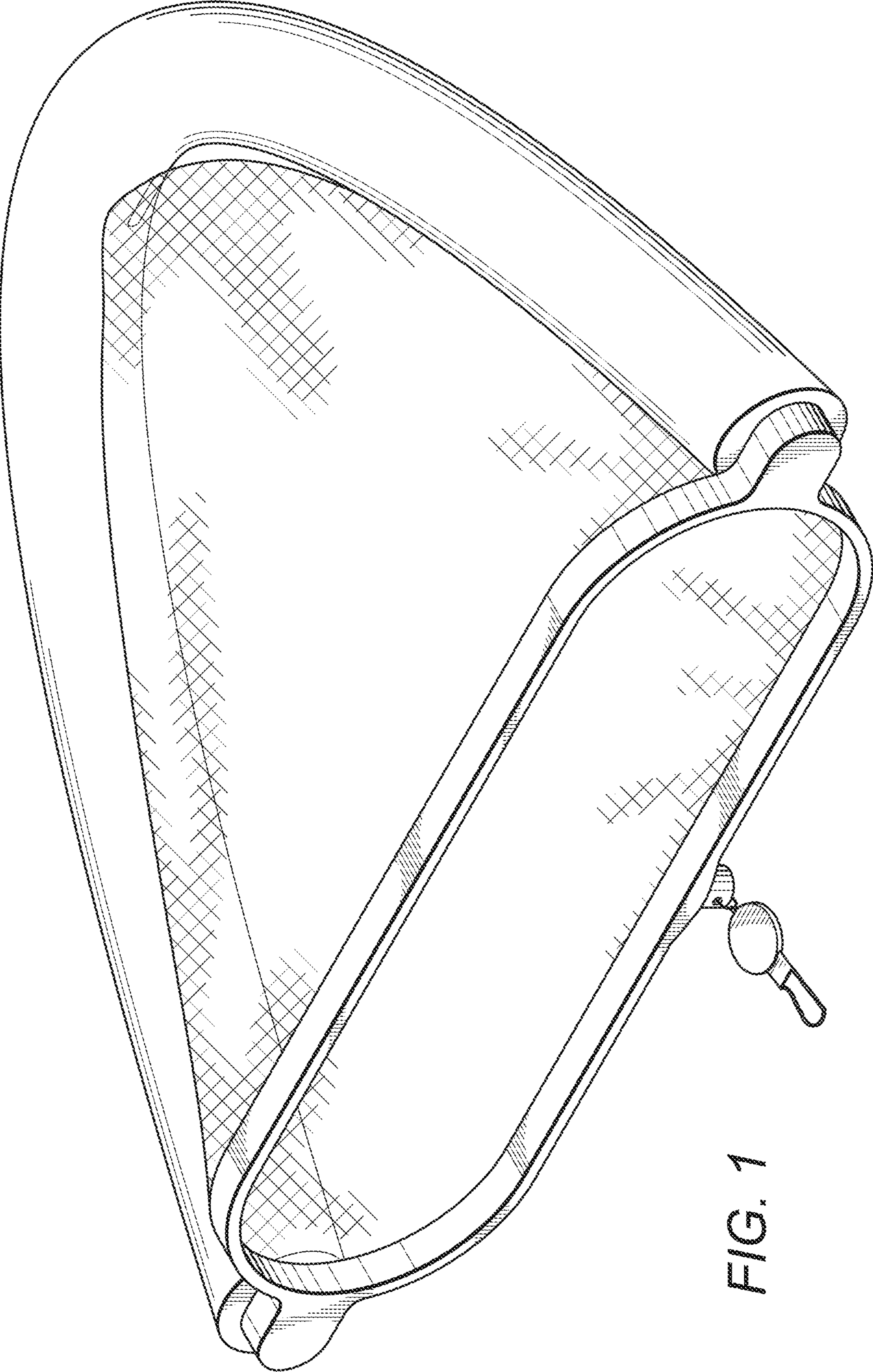


FIG. 1

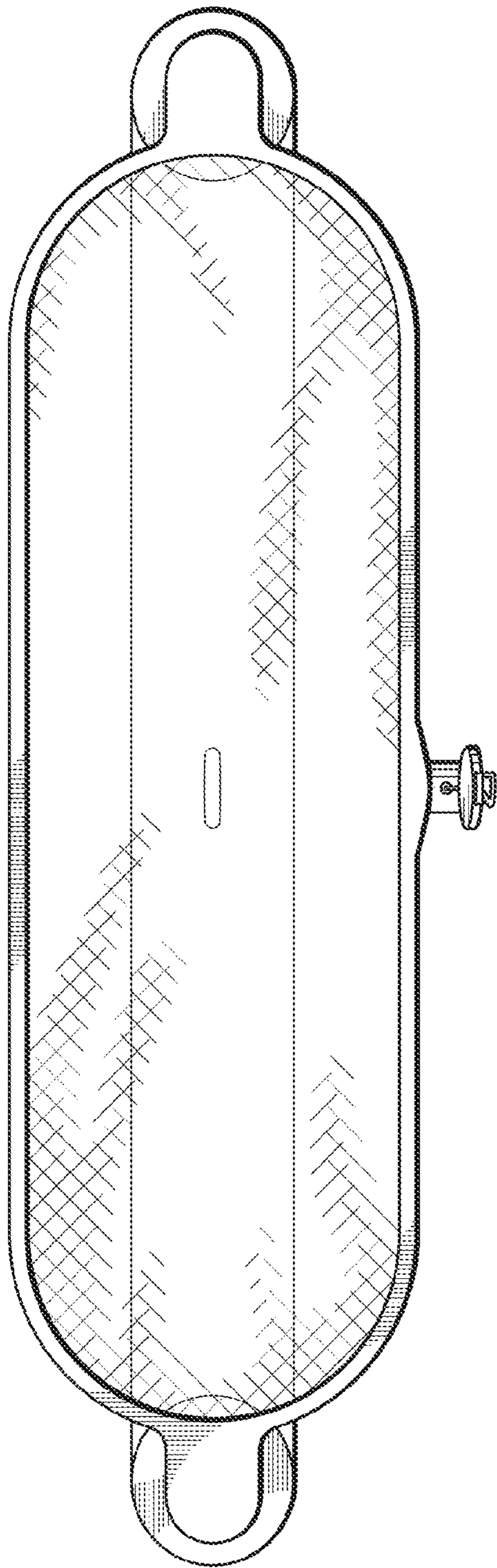


FIG. 2

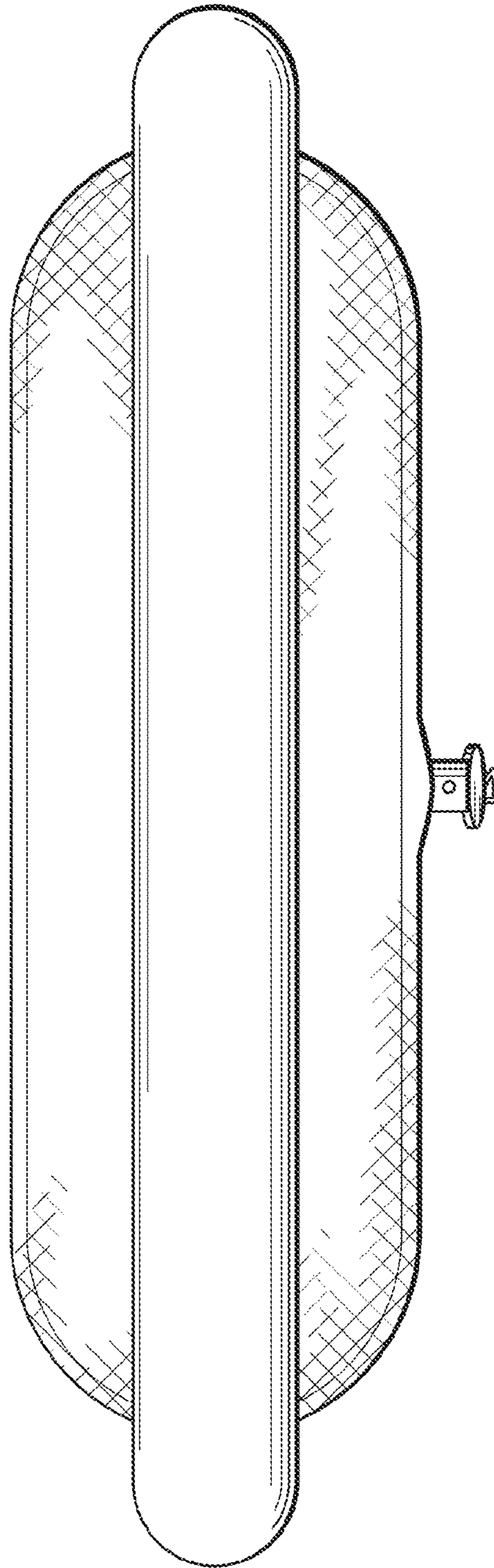


FIG. 3

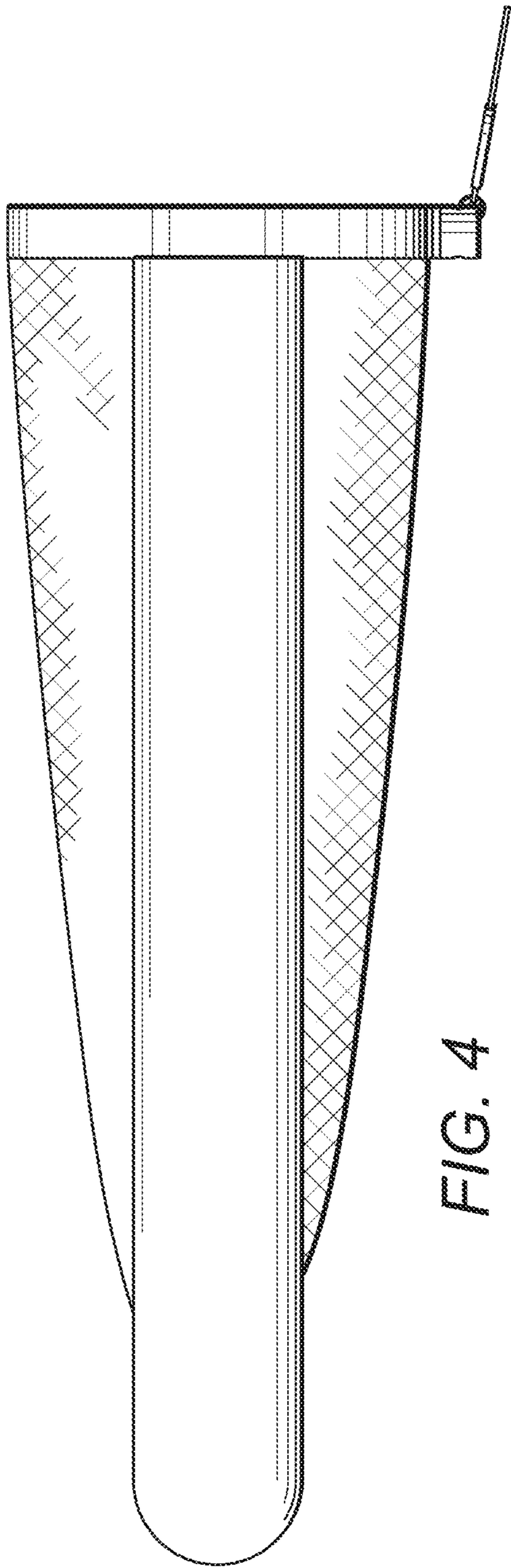


FIG. 4

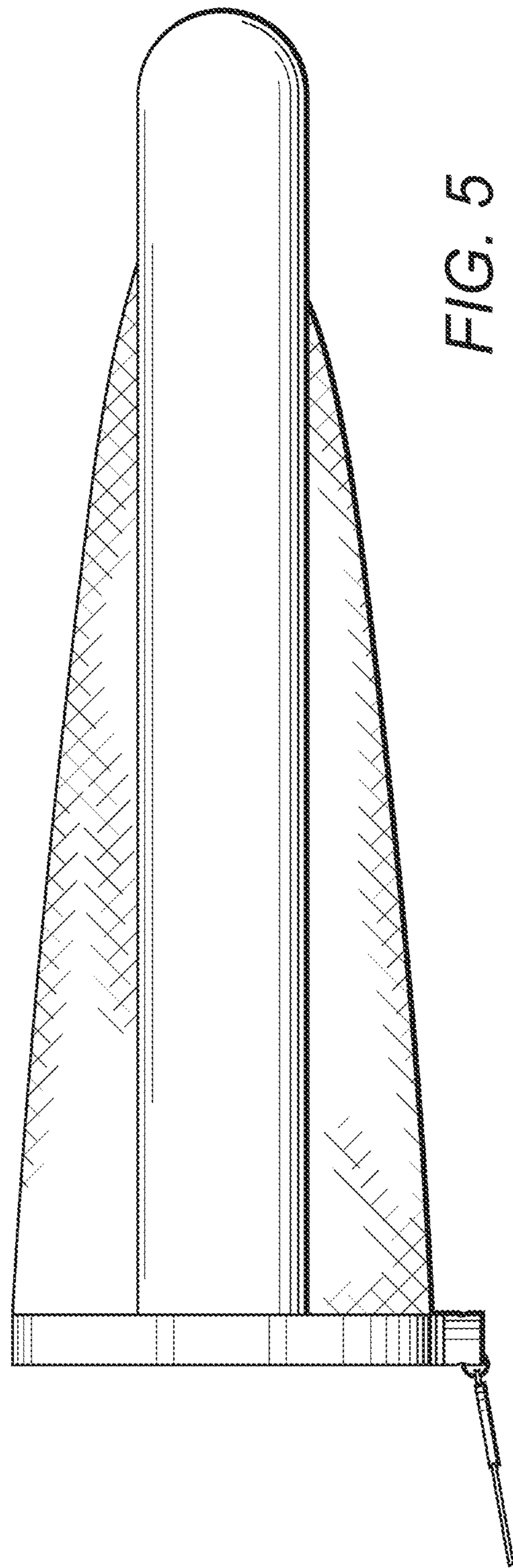


FIG. 5

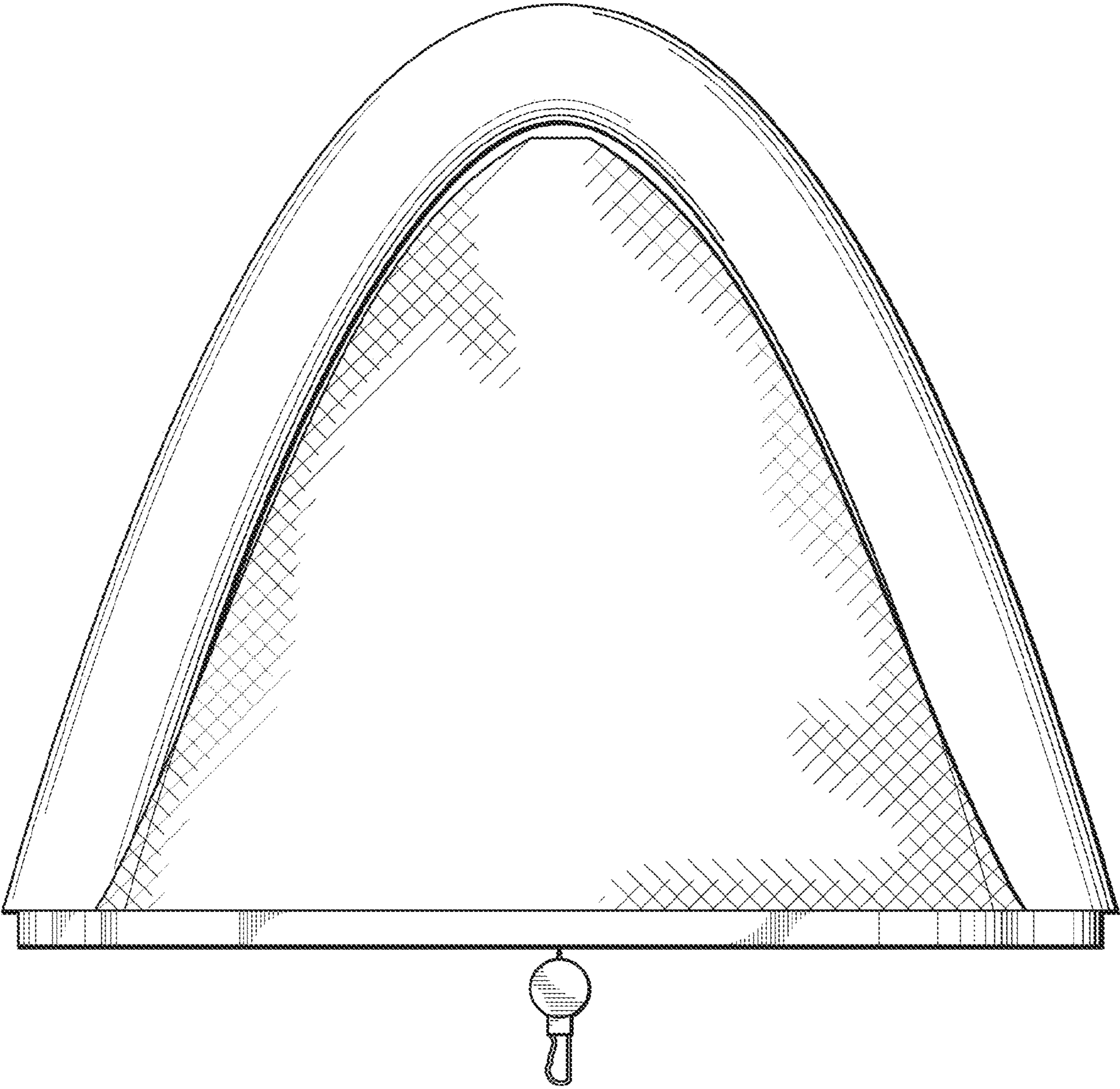


FIG. 6

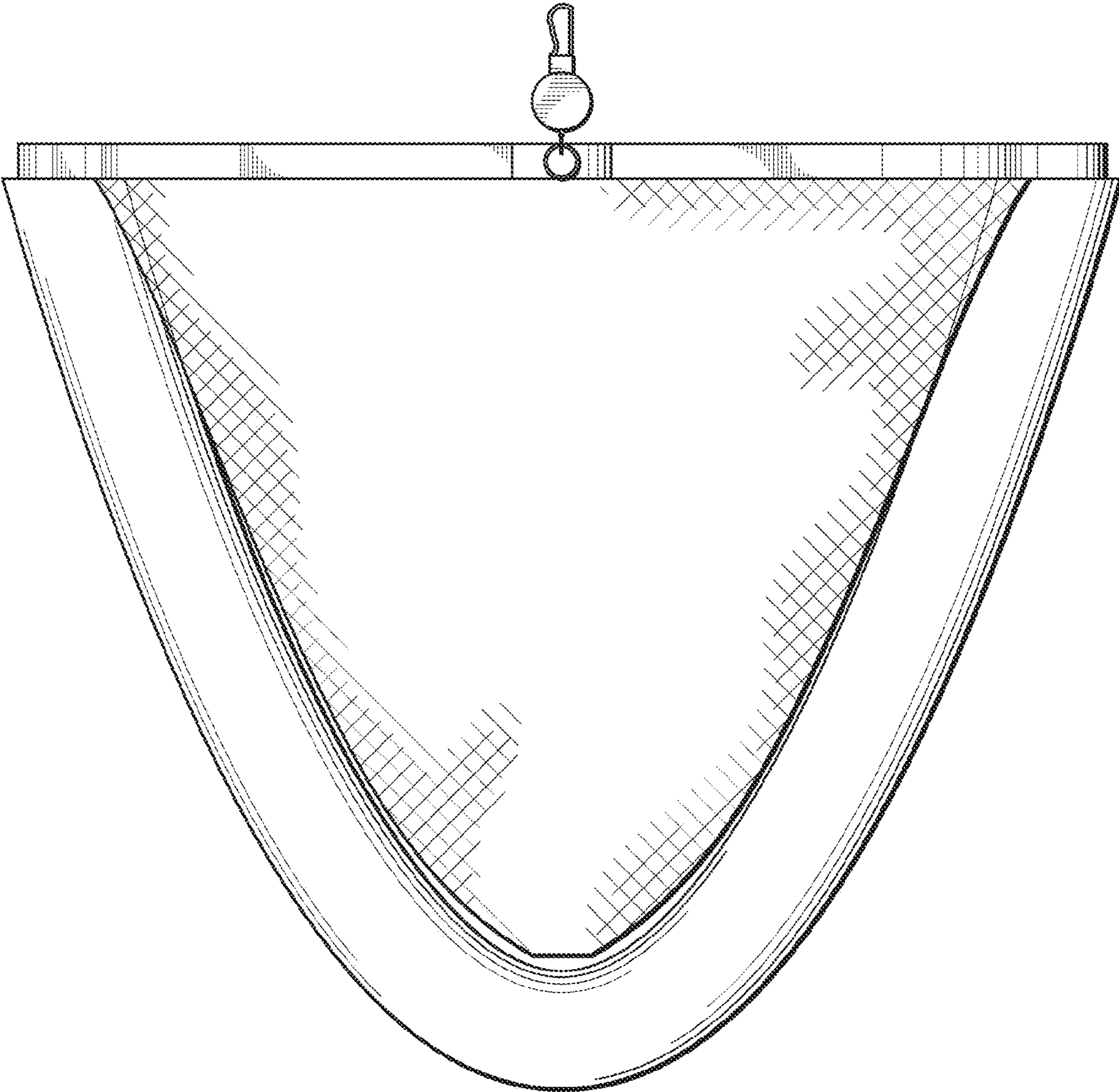


FIG. 7

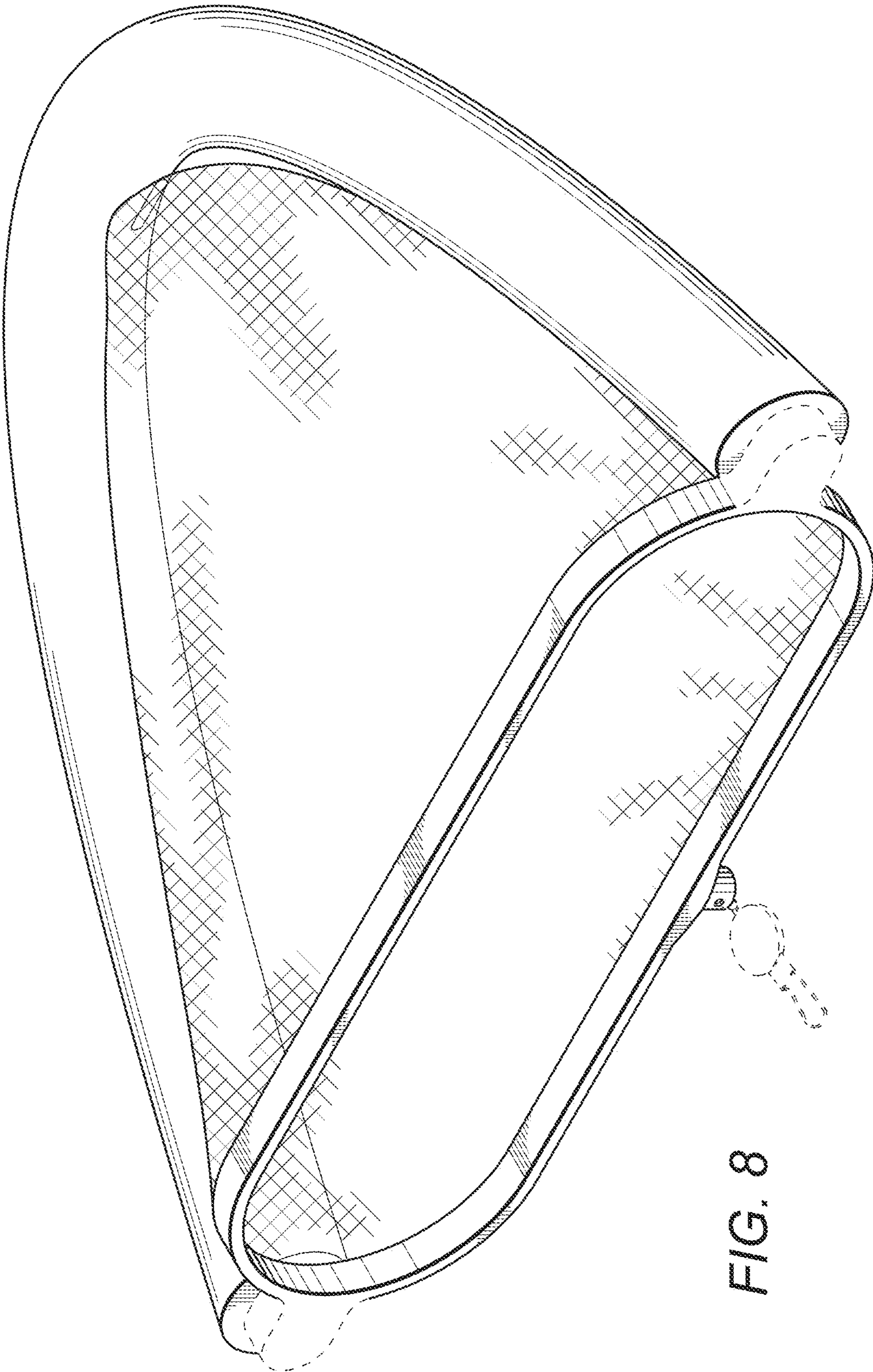


FIG. 8