



US00D88886S

(12) **United States Design Patent**
Tanaka

(10) **Patent No.:** **US D888,886 S**

(45) **Date of Patent:** **** *Jun. 30, 2020**

(54) **FILTER**

(71) Applicant: **SMC CORPORATION**, Chiyoda-ku
(JP)

(72) Inventor: **Takayuki Tanaka**, Tsukuba (JP)

(73) Assignee: **SMC CORPORATION**, Chiyoda-ku
(JP)

(*) Notice: This patent is subject to a terminal disclaimer.

(**) Term: **15 Years**

(21) Appl. No.: **29/671,159**

(22) Filed: **Nov. 23, 2018**

(30) **Foreign Application Priority Data**

May 29, 2018 (JP) 2018-011698

(51) **LOC (12) Cl.** **23-01**

(52) **U.S. Cl.**
USPC **D23/209**

(58) **Field of Classification Search**

USPC D23/202, 205, 207, 259, 260, 262

CPC B01D 2201/29; B01D 2201/30; B01D
2201/301; B01D 2201/302; B01D
2201/306; B01D 2201/309; B01D 35/30;
C02F 1/002; C02F 1/003

See application file for complete search history.

(56) **References Cited**

U.S. PATENT DOCUMENTS

D301,914 S * 6/1989 Ogasawara D10/85
D317,315 S * 6/1991 Miyake D15/150
D317,346 S * 6/1991 Ito D23/209
D317,644 S * 6/1991 Ito D15/150
D318,713 S * 7/1991 Miyake D23/209
D400,211 S * 10/1998 Thallemer D15/7
D402,023 S * 12/1998 Thallemer D23/365

D659,814 S * 5/2012 Yamase D23/365
D659,815 S * 5/2012 Yamase D23/365
D659,816 S * 5/2012 Ito D23/365
D662,196 S * 6/2012 Ito D23/365
D662,197 S * 6/2012 Ito D23/365
D820,396 S * 6/2018 Armstrong D23/235

(Continued)

Primary Examiner — Sheryl Lane

Assistant Examiner — Calvin E Vansant

(74) *Attorney, Agent, or Firm* — Oblon, McClelland,
Maier & Neustadt, L.L.P.

(57) **CLAIM**

The ornamental design for a filter, as shown and described.

DESCRIPTION

FIG. 1 is a front, top, and right side perspective view of a first embodiment of a filter;

FIG. 2 is a rear, bottom, and left side perspective view thereof;

FIG. 3 is a front elevational view thereof;

FIG. 4 is a rear elevational view thereof;

FIG. 5 is a top plan view thereof;

FIG. 6 is a bottom plan view thereof;

FIG. 7 is a left side elevational view thereof;

FIG. 8 is a right side elevational view thereof;

FIG. 9 is a front, top, and right side perspective view of a second embodiment of a filter;

FIG. 10 is a rear, bottom, and left side perspective view thereof;

FIG. 11 is a front elevational view thereof;

FIG. 12 is a rear elevational view thereof;

FIG. 13 is a top plan view thereof;

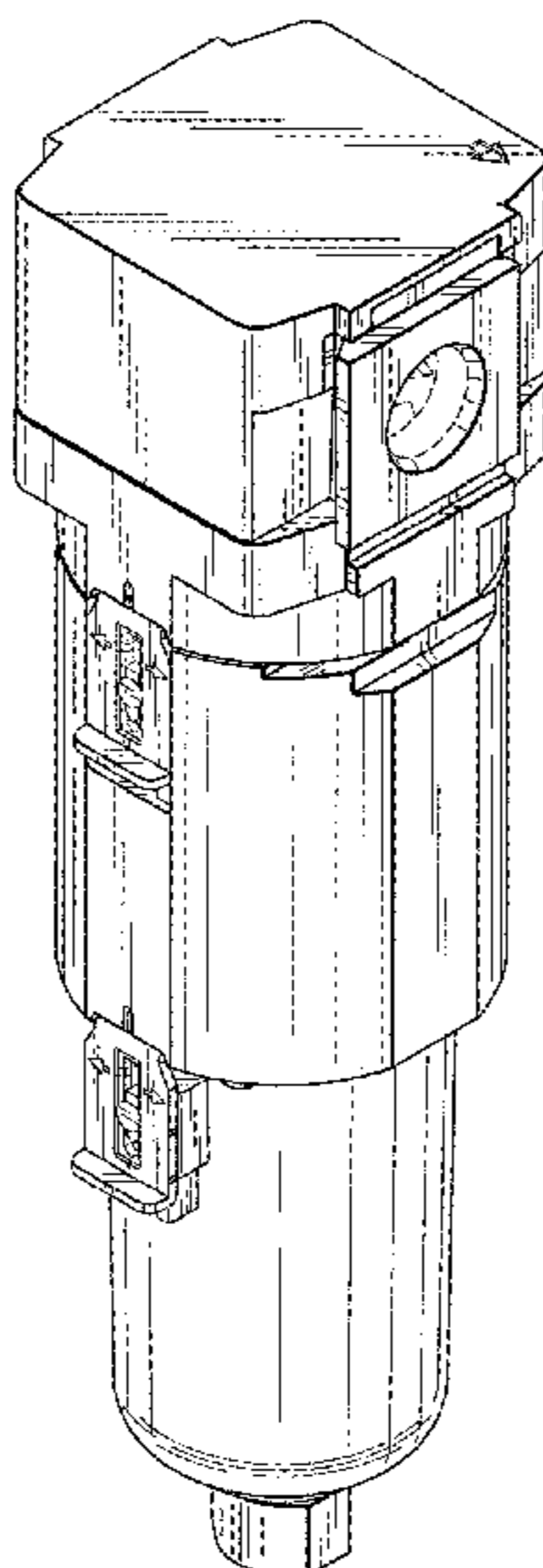
FIG. 14 is a bottom plan view thereof;

FIG. 15 is a left side elevational view thereof; and,

FIG. 16 is a right side elevational view thereof.

The broken lines shown in the figures are for the purpose of illustrating portions of the filter that form no part of the claimed design.

1 Claim, 14 Drawing Sheets



(56)

References Cited

U.S. PATENT DOCUMENTS

D820,956 S *	6/2018	Ito	D23/235
10,203,048 B2 *	2/2019	Matsushita	F16K 31/34
D842,433 S *	3/2019	Ito	D23/235
D844,107 S *	3/2019	Ito	D23/233
D844,108 S *	3/2019	Ito	D23/235
D849,195 S *	5/2019	Matsushita	D23/233
D850,579 S *	6/2019	Ito	D23/209
D851,213 S *	6/2019	Matsushita	D23/233
D853,526 S *	7/2019	Ito	D23/235
D854,126 S *	7/2019	Ito	D23/235

* cited by examiner

FIG. 1

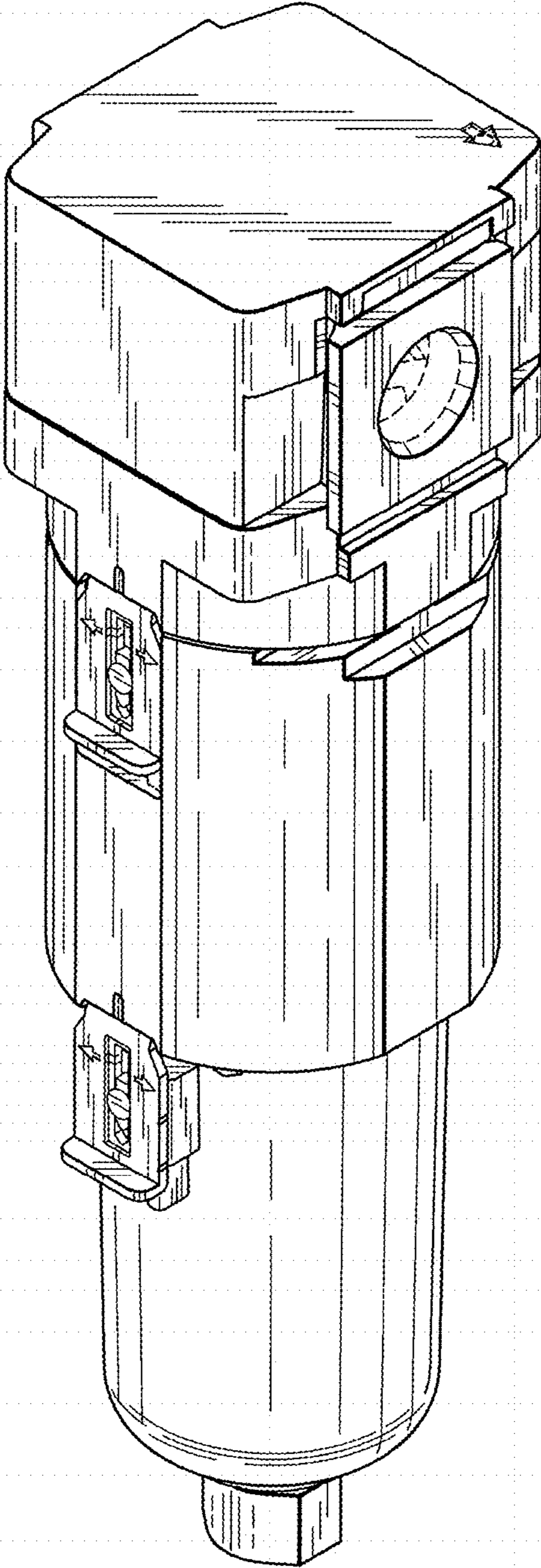


FIG. 2

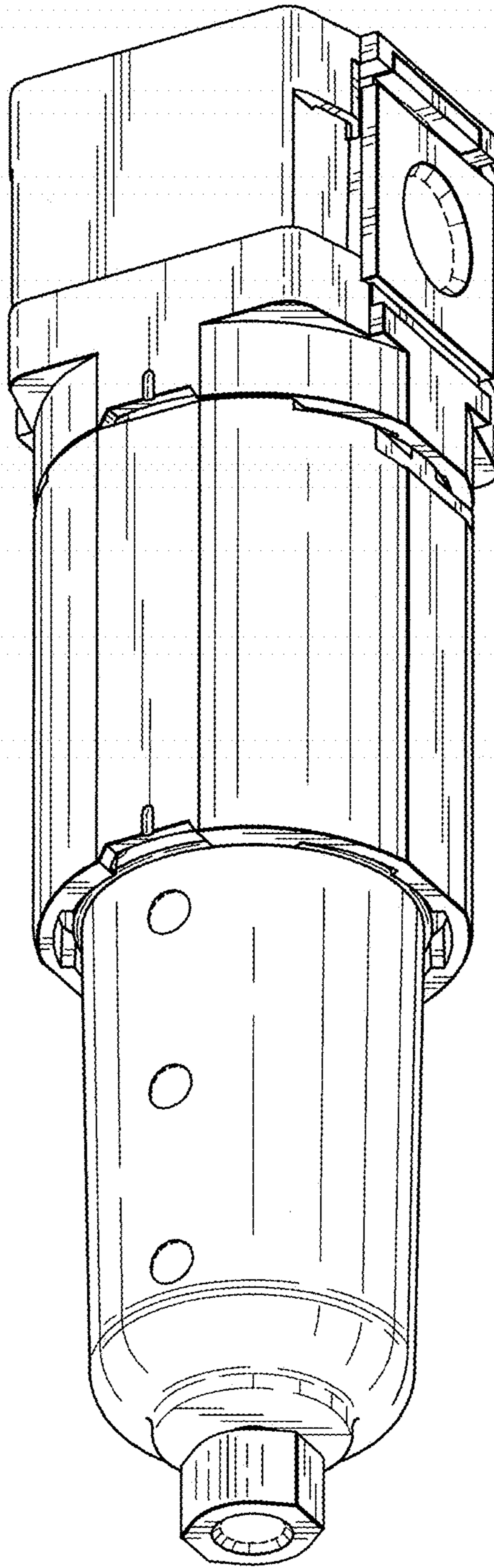


FIG. 3

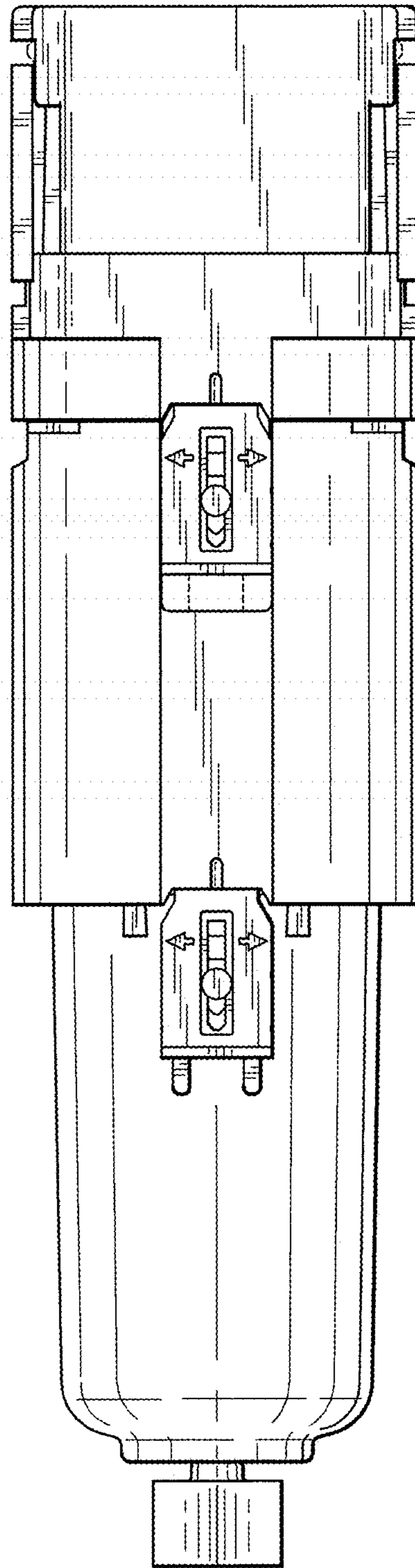


FIG. 4

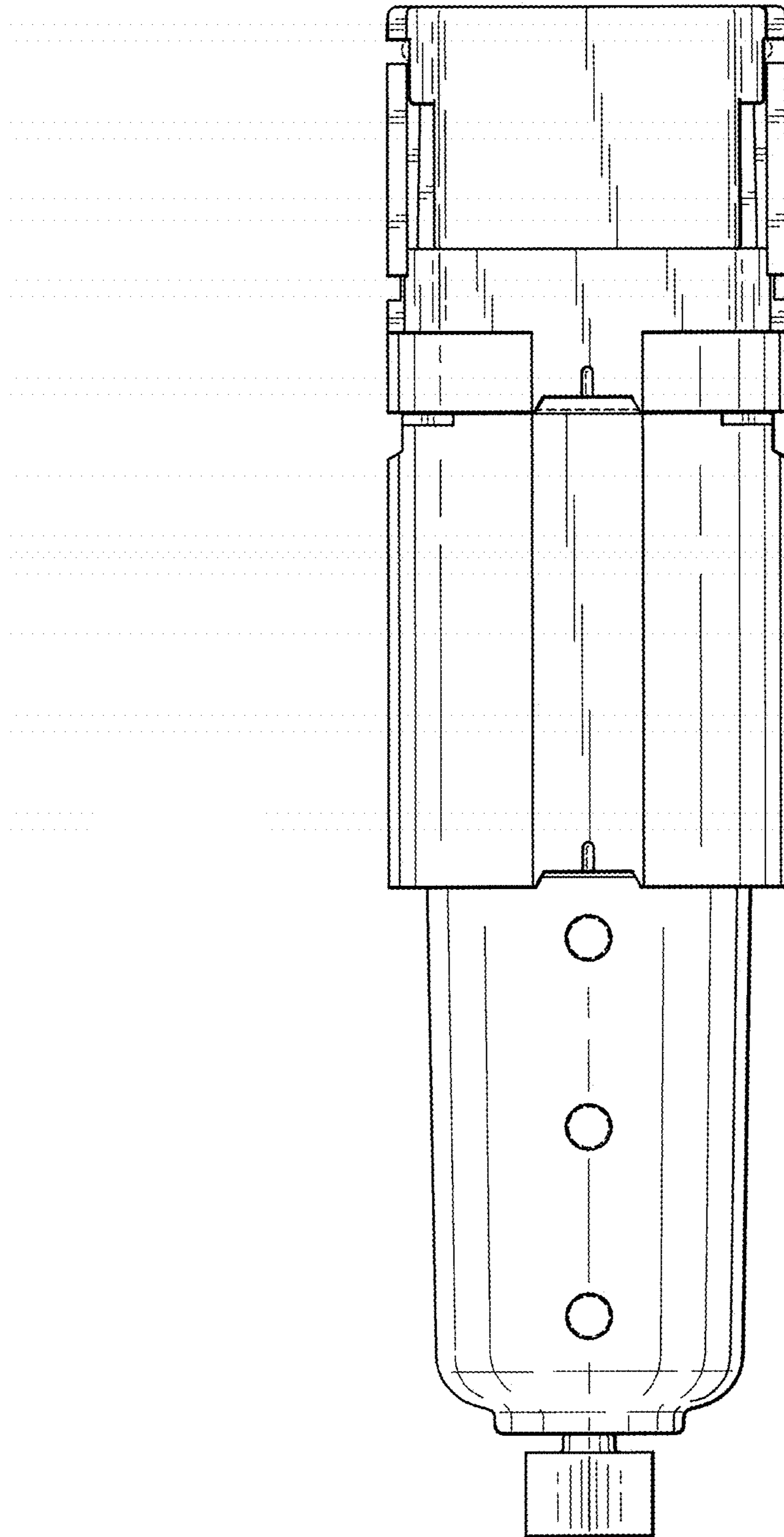


FIG. 5

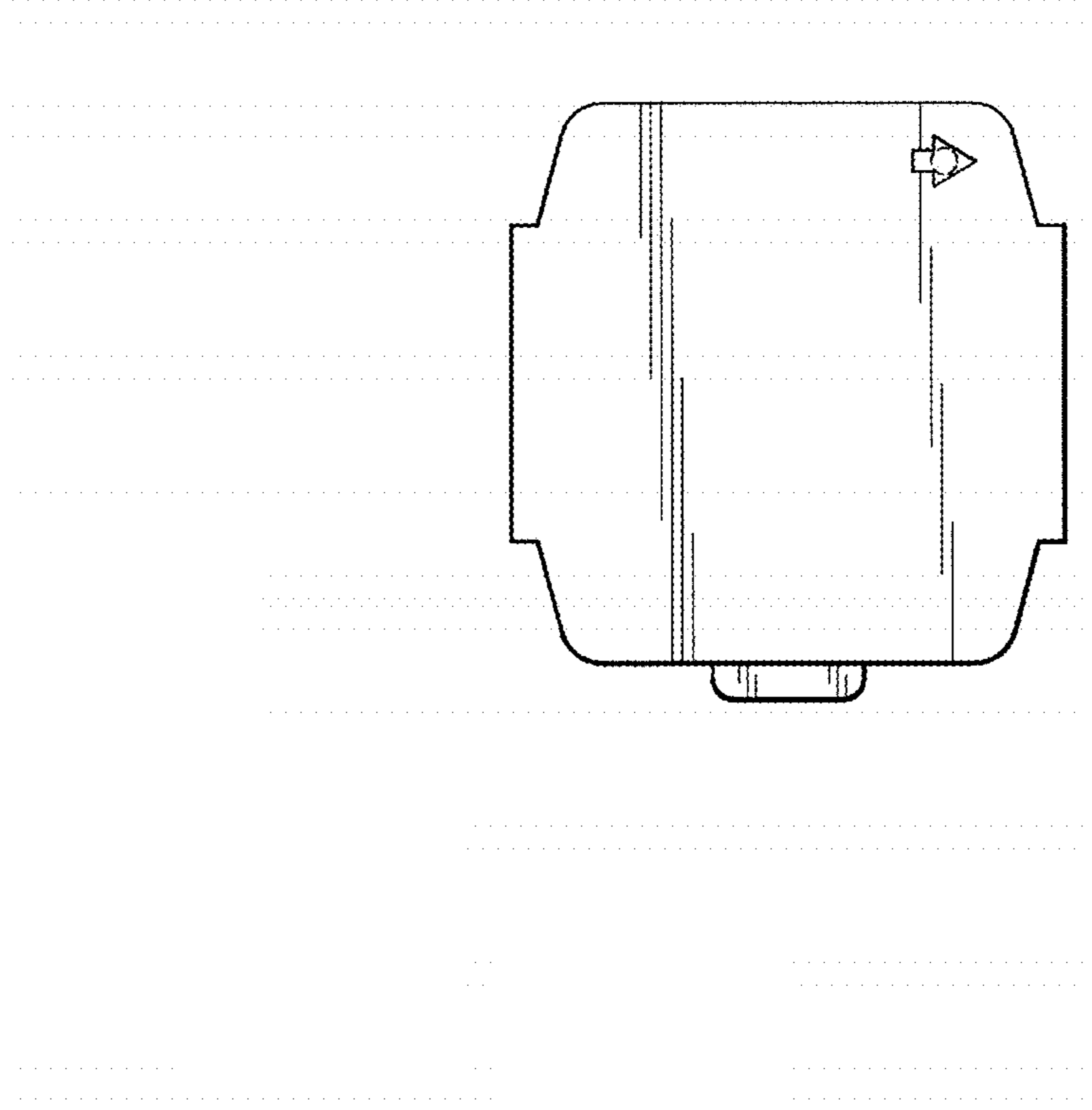


FIG. 6

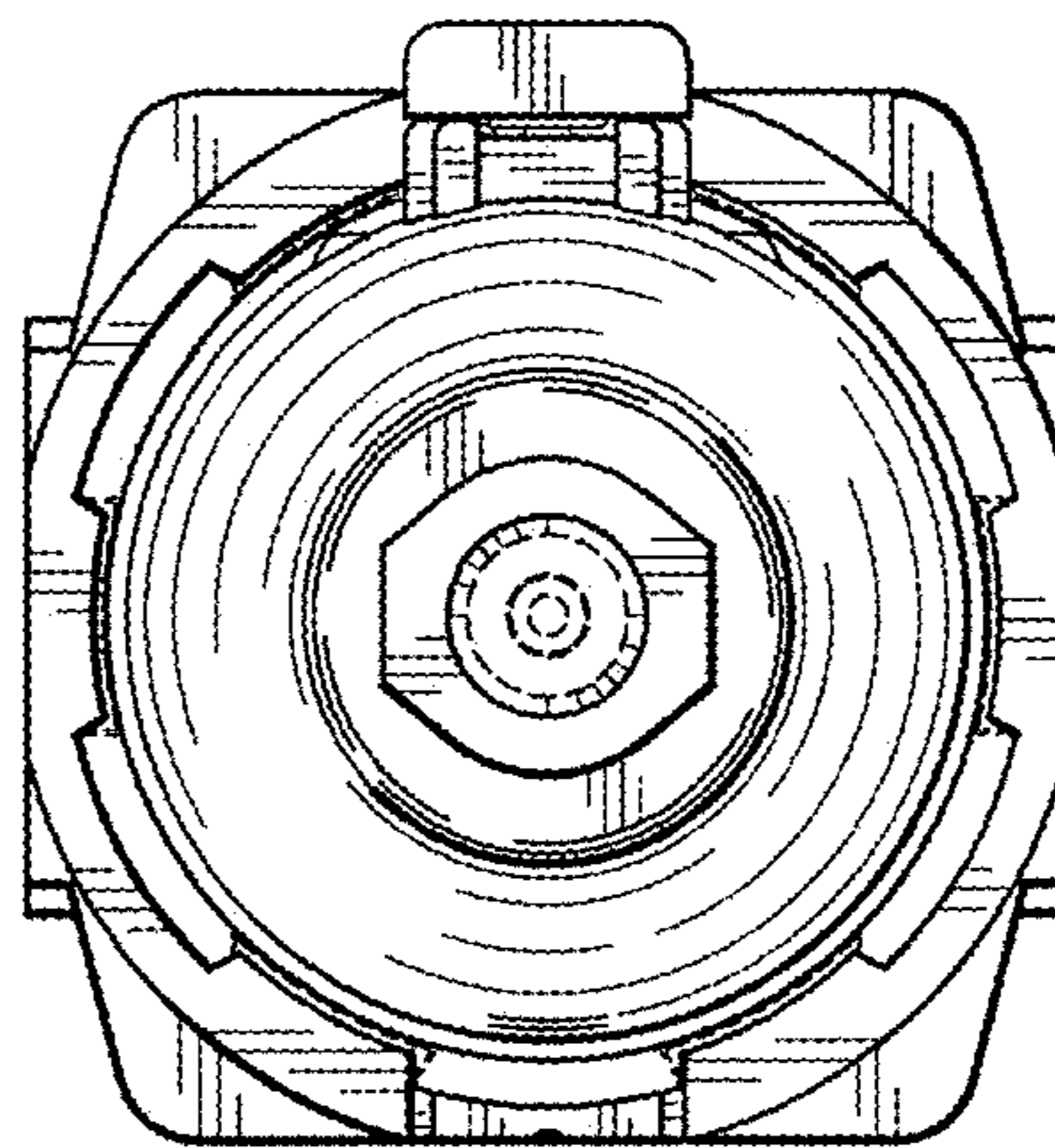


FIG. 7

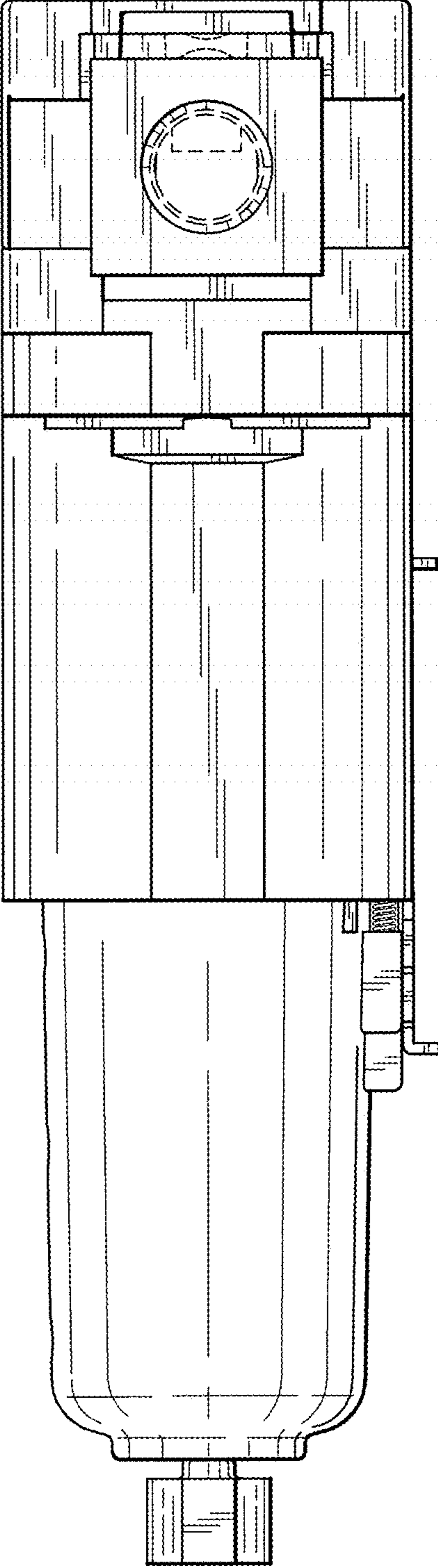


FIG. 8

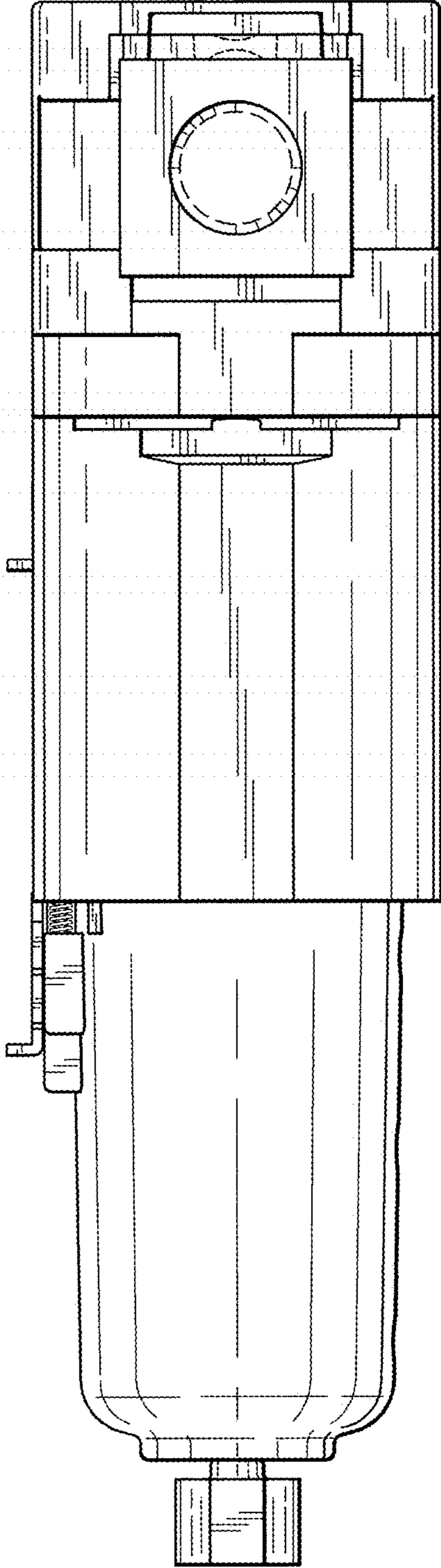


FIG. 9

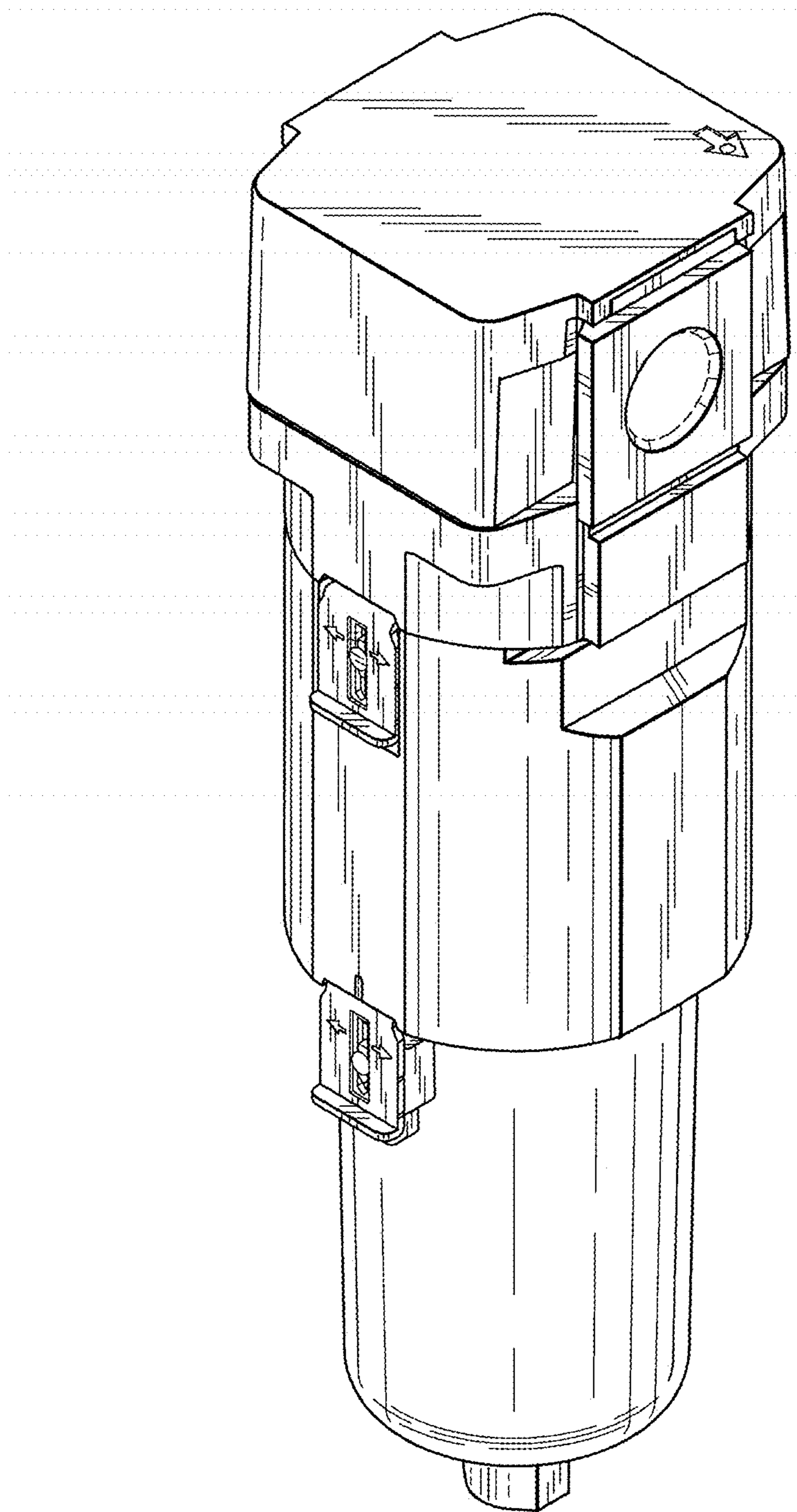


FIG. 10

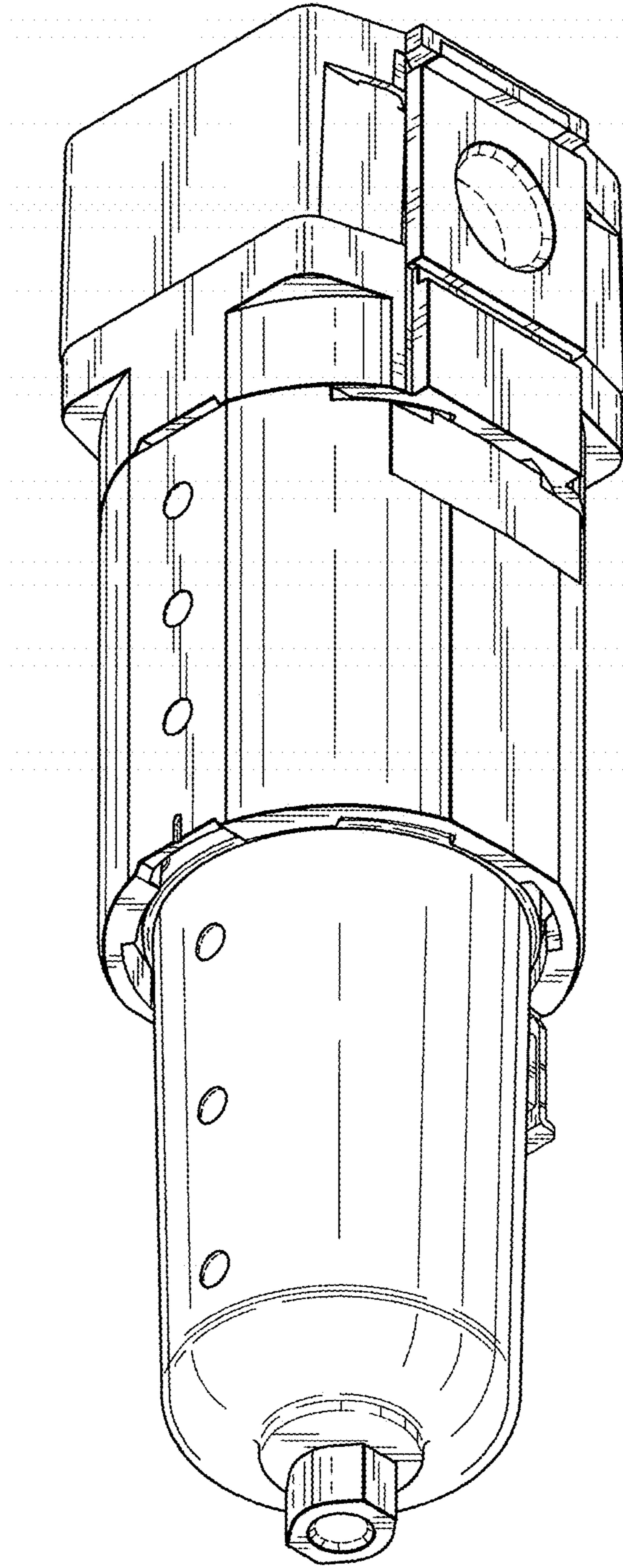


FIG. 11

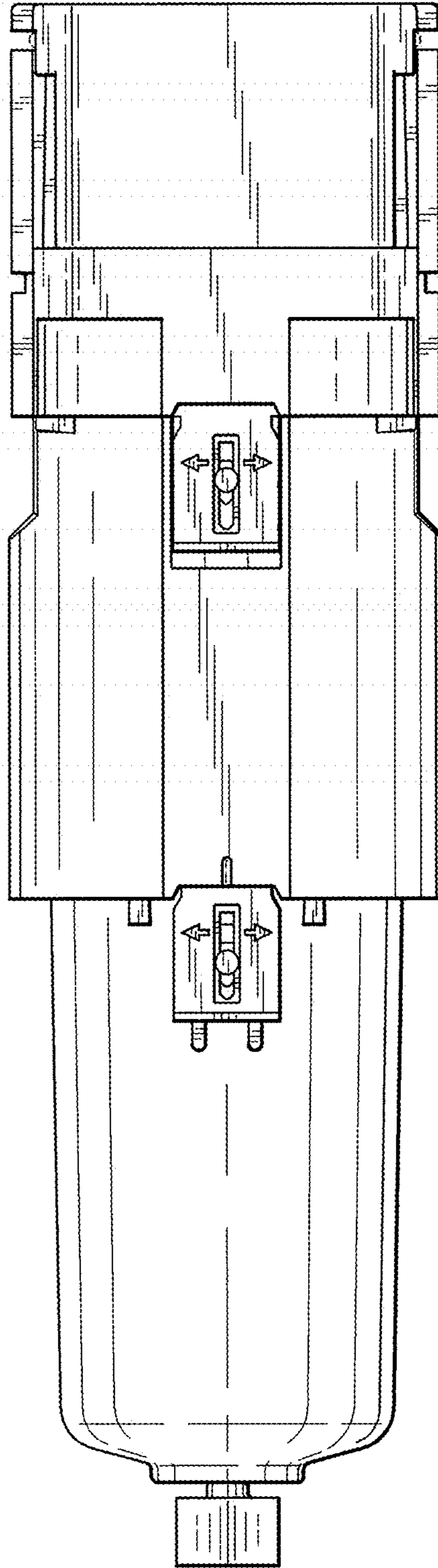


FIG. 12

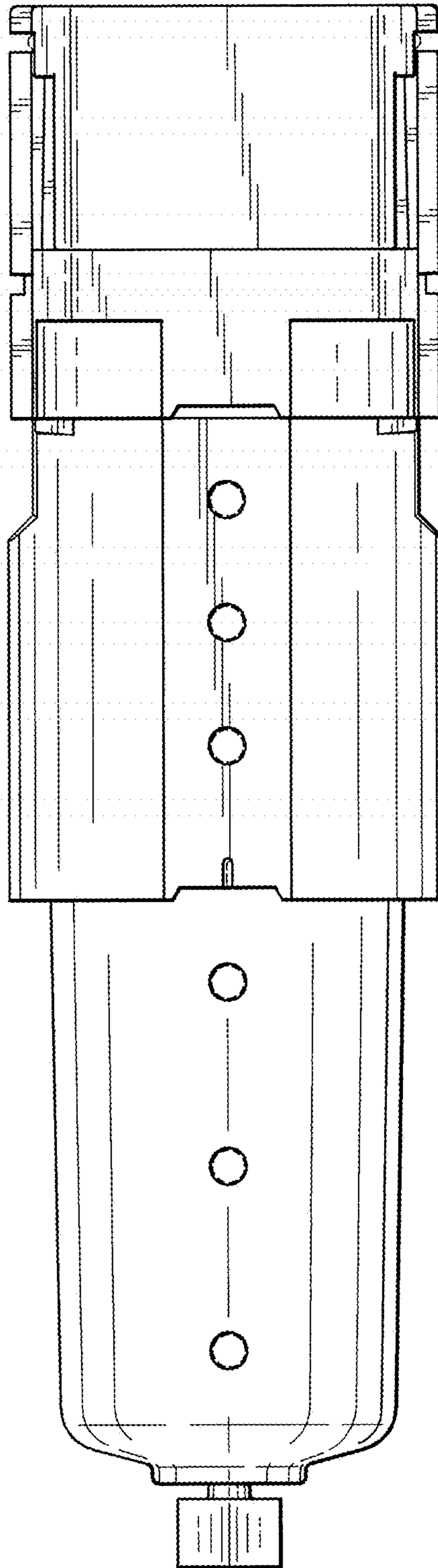


FIG. 13

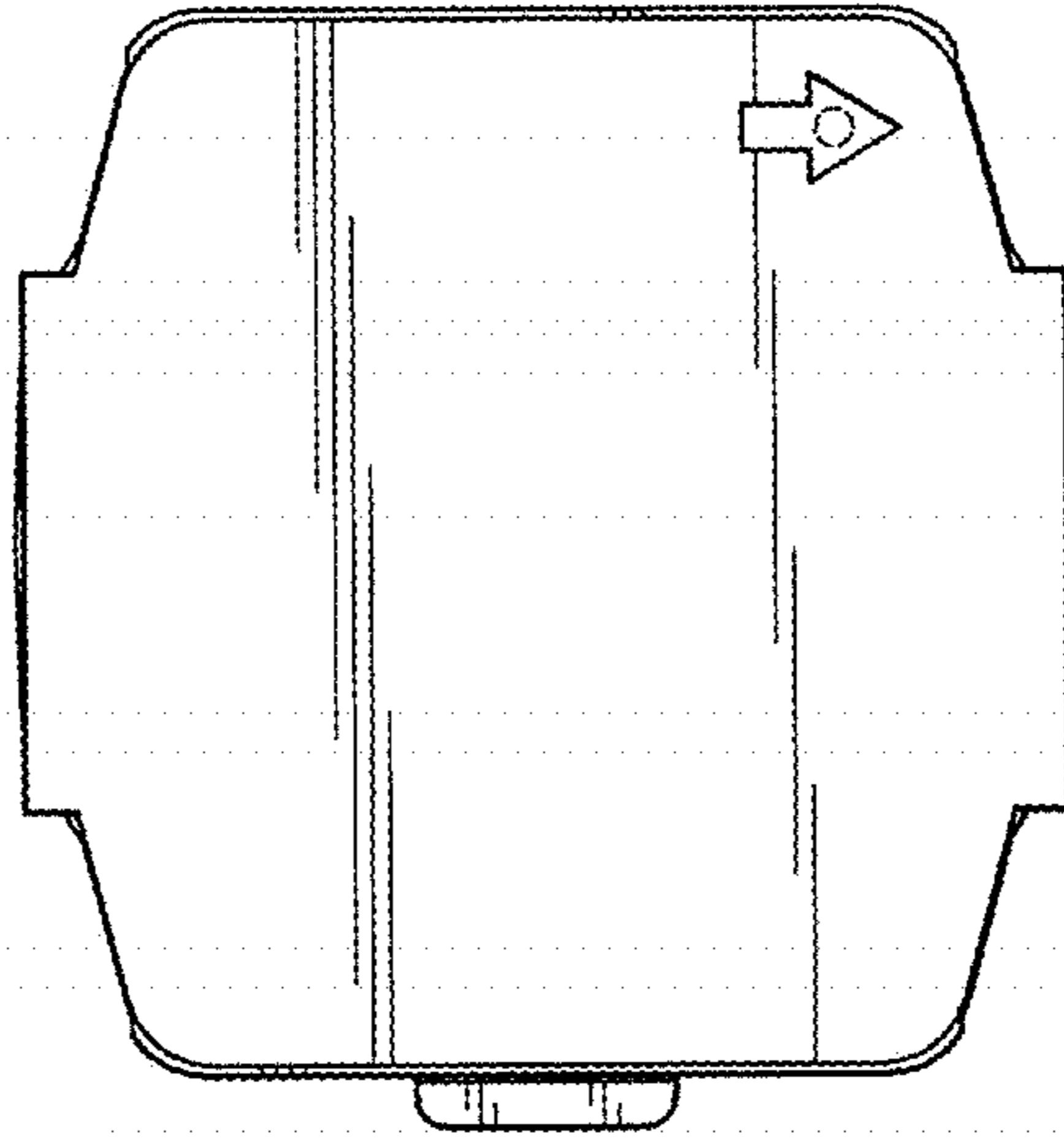


FIG. 14

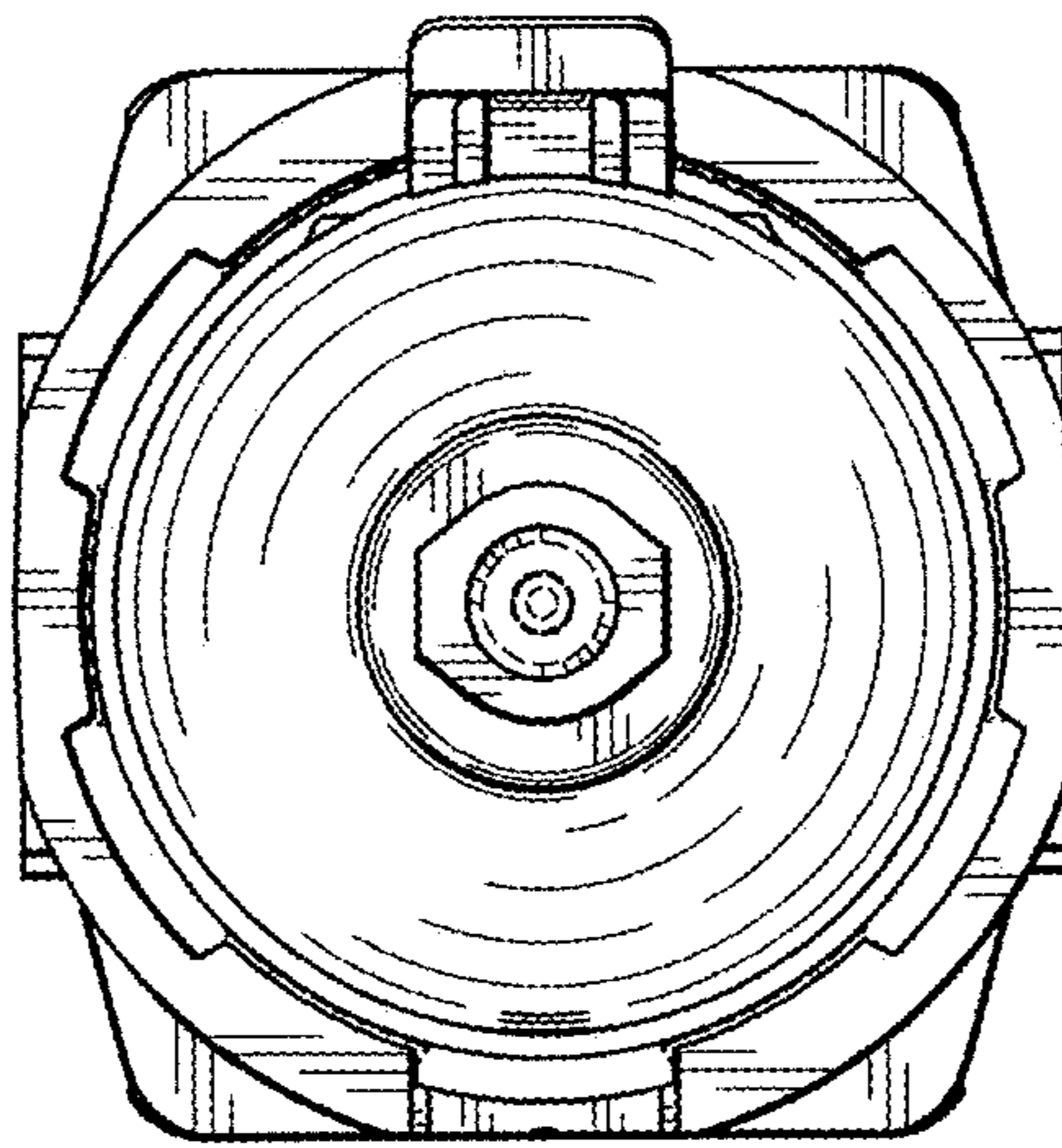


FIG. 15

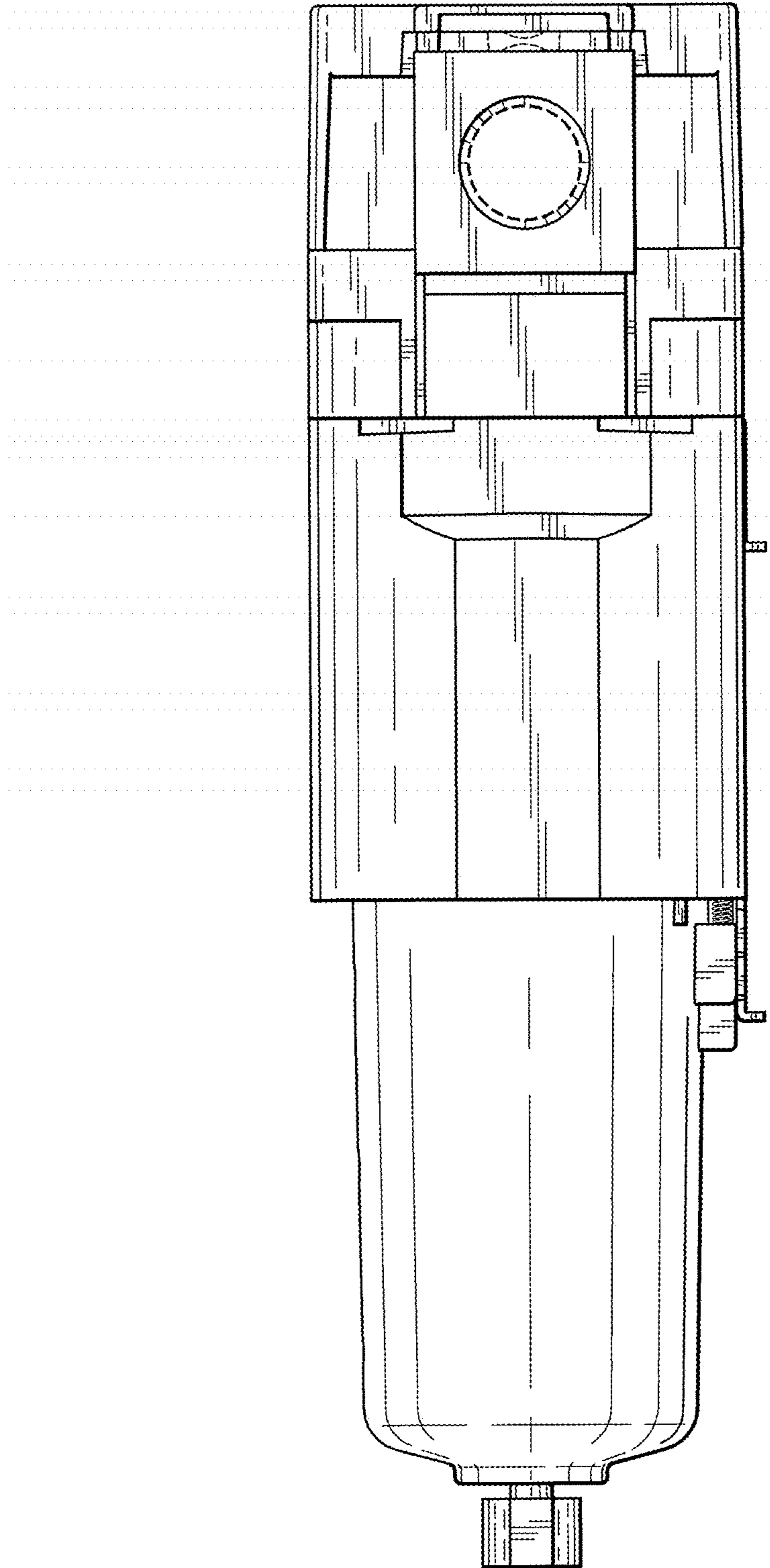


FIG. 16

