



US00D888885S

(12) **United States Design Patent**
Vesich et al.

(10) **Patent No.:** **US D888,885 S**
(45) **Date of Patent:** **** Jun. 30, 2020**

(54) **GAFF HOOK**
(71) Applicant: **Battenfeld Technologies, Inc.**,
Columbia, MO (US)
(72) Inventors: **Anthony Vesich**, Columbia, MO (US);
Dennis W. Cauley, Jr., Fayette, MO
(US); **Timothy S. Kinney**, Warrenton,
MO (US); **Michael Cottrell**, Ashland,
MO (US); **Mark Dalton**, Columbia,
MO (US); **Justin Burke**, Columbia,
MO (US); **James Tayon**, Moberly, MO
(US); **Kyle Martin**, Columbia, MO
(US); **Brian Steere**, Columbia, MO
(US); **Michael Lindsay**, Columbia, MO
(US)

(73) Assignee: **Battenfeld Technologies, Inc.**,
Columbia, MO (US)

(**) Term: **15 Years**

(21) Appl. No.: **29/682,584**

(22) Filed: **Mar. 6, 2019**

(51) **LOC (12) Cl.** **22-05**

(52) **U.S. Cl.**
USPC **D22/149**

(58) **Field of Classification Search**
USPC D22/149-150, 134, 199; 294/14, 26, 61;
43/5, 17.2, 16, 53.5; D8/1, 12, 300, 303
CPC A01K 97/00; A01K 97/14
See application file for complete search history.

(56) **References Cited**

U.S. PATENT DOCUMENTS

1,791,518 A 2/1931 Woodring
2,112,765 A * 3/1938 Darling A01K 97/14
294/26
2,165,245 A 7/1939 Eastman

2,210,169 A * 8/1940 Harter A01K 97/14
294/26
2,496,822 A 2/1950 Stoddard
2,882,084 A * 4/1959 Eatinger A01K 97/14
294/26
D225,399 S 12/1972 Bolen, Jr.
3,955,302 A 5/1976 Tudisco
3,991,502 A * 11/1976 Tudisco A01K 97/14
43/5
4,169,330 A 10/1979 Schnur
4,691,465 A * 9/1987 Dooley A01K 97/14
294/26
4,739,573 A 4/1988 Robertson
D526,698 S * 8/2006 Lindahl D22/149
(Continued)

OTHER PUBLICATIONS

Picture of Pelagic Gaff Hook, Jul. 9, 2018, <https://www.pelagicgear.com/shop/accessories-mens/amicamo-64-gaff-4-hook/>, 1 page.

(Continued)

Primary Examiner — Catherine R Oliver-Garcia

(74) *Attorney, Agent, or Firm* — Stinson LLP

(57) **CLAIM**

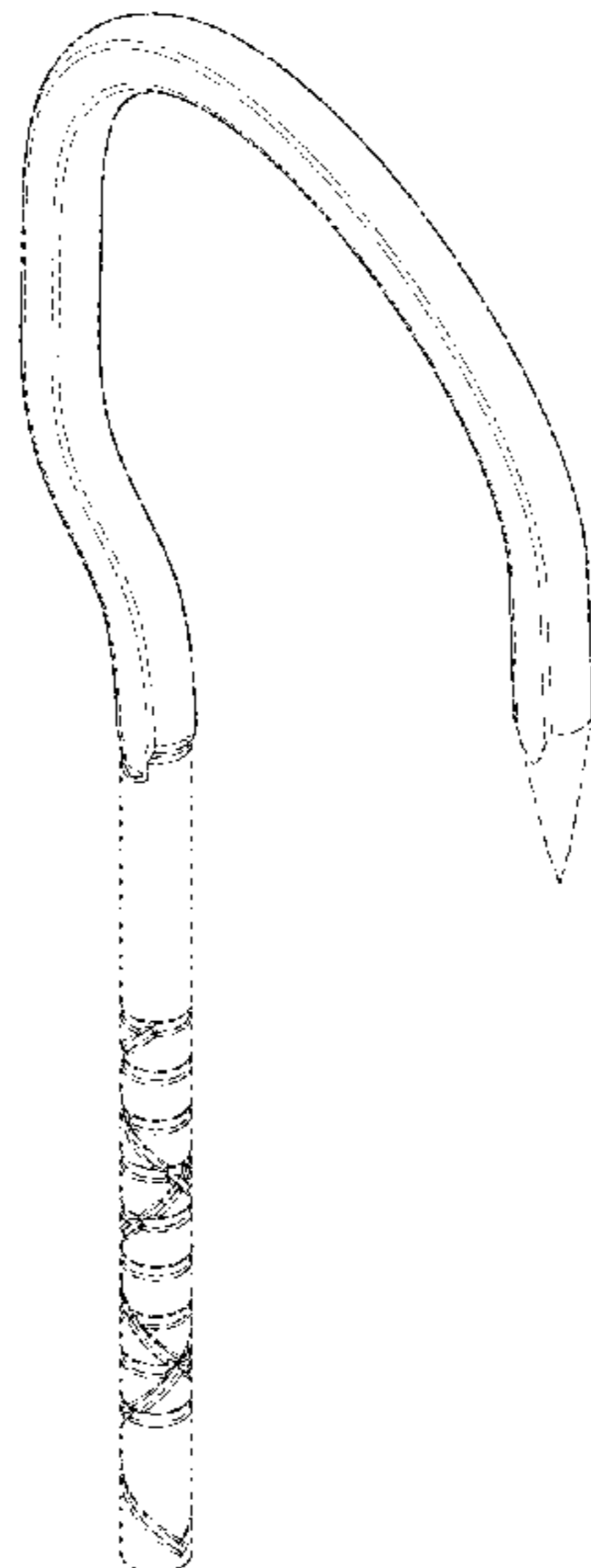
The ornamental design for a gaff hook, as shown and described.

DESCRIPTION

FIG. 1 is a rear perspective of a gaff hook of our new design illustrated on an end of a pole;
FIG. 2 is a front perspective of the gaff hook;
FIG. 3 is a left elevation of the gaff hook;
FIG. 4 is a front elevation of the gaff hook;
FIG. 5 is a right elevation of the gaff hook;
FIG. 6 is a rear elevation of the gaff hook;
FIG. 7 is a top view of the gaff hook; and,
FIG. 8 is a bottom view of the gaff hook.

The broken lines in FIGS. 1-8 are directed to environment and form no part of the claimed design.

1 Claim, 7 Drawing Sheets



(56)

References Cited

U.S. PATENT DOCUMENTS

D676,107 S 2/2013 Malcarne
D700,677 S * 3/2014 Pybus D22/149
8,683,734 B2 4/2014 Constantine
8,813,414 B2 8/2014 Jones et al.
2012/0204468 A1 * 8/2012 Constantine A01K 97/14
43/5
2017/0347637 A1 12/2017 Constantine

OTHER PUBLICATIONS

Picture of Marsh Tacky Carbon Gaff Hook, Jul. 9, 2018, <https://www.marsh tackycarbon.com/shop/gaffs-and-harpoons/xg/>, 1 page.

* cited by examiner

FIG. 1

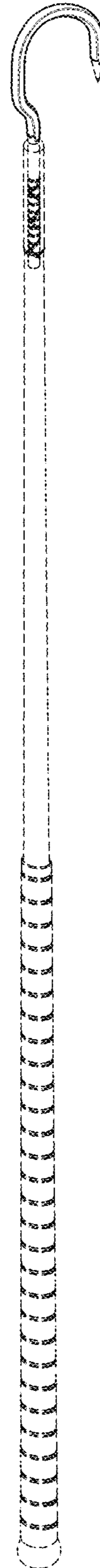


FIG. 2

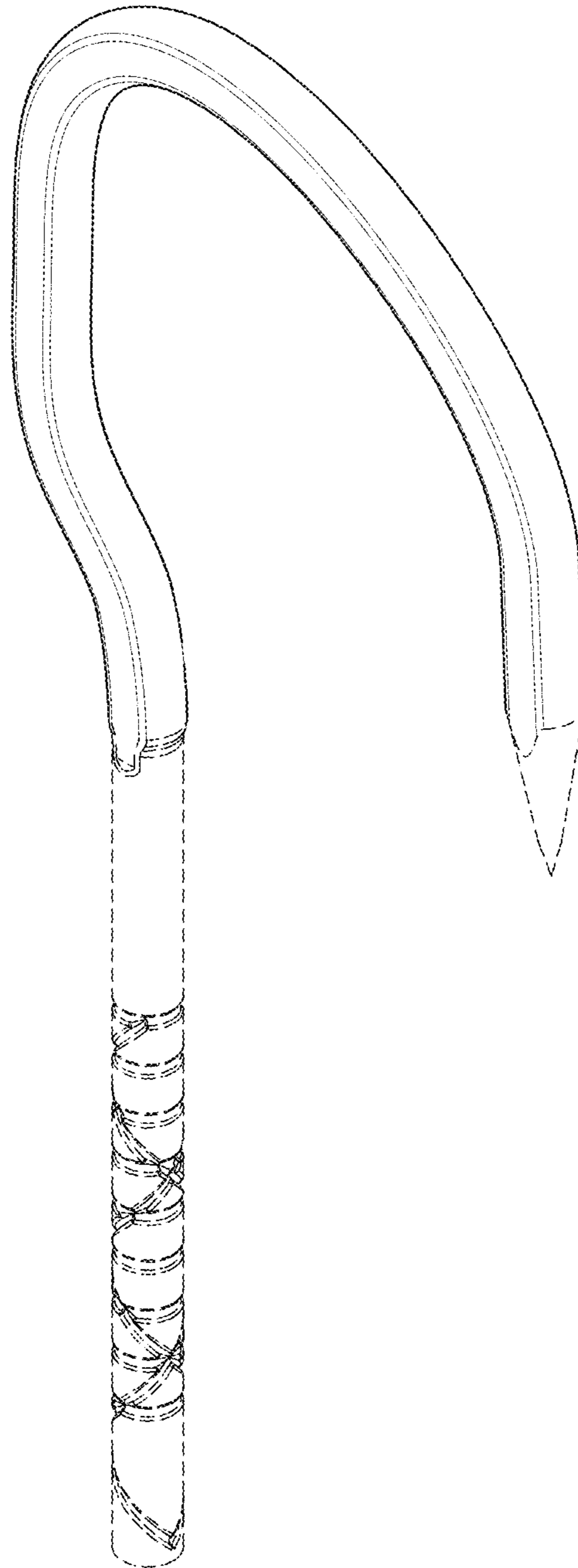


FIG. 3

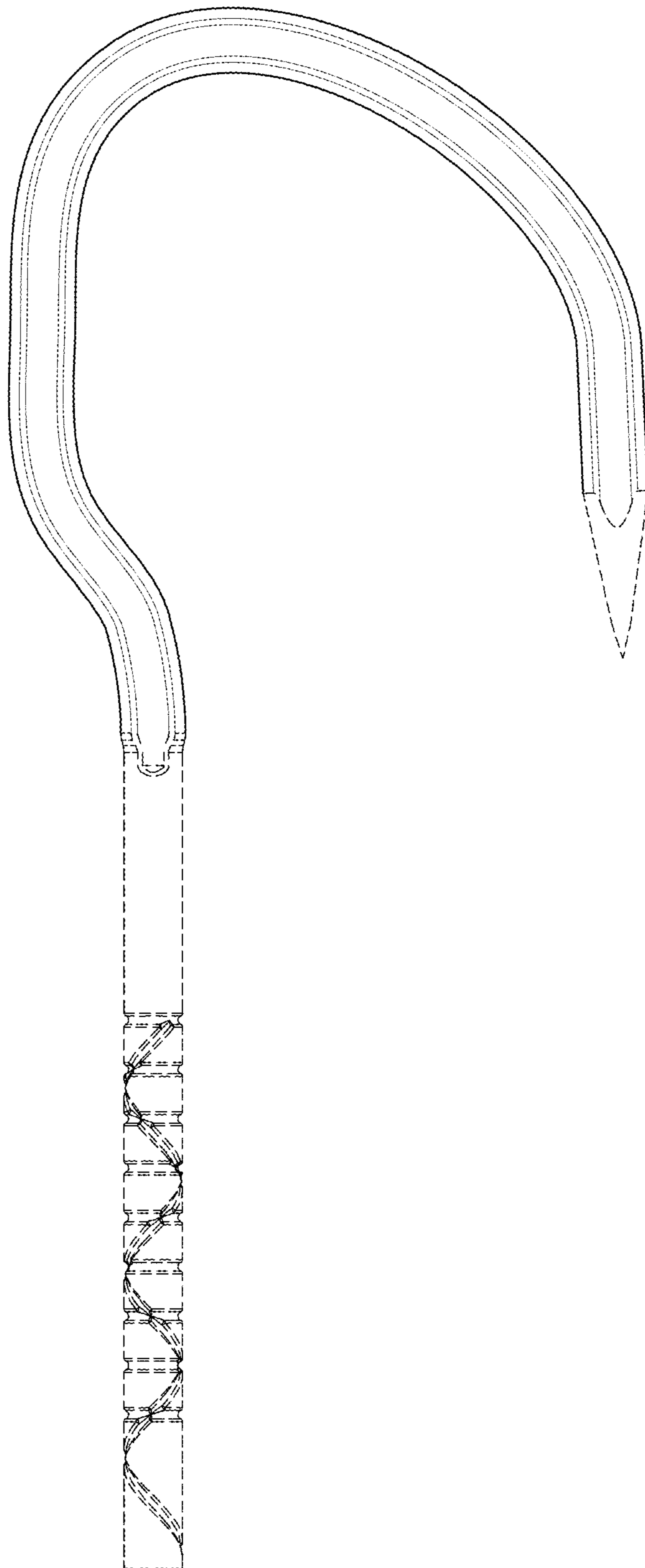


FIG. 4



FIG. 5

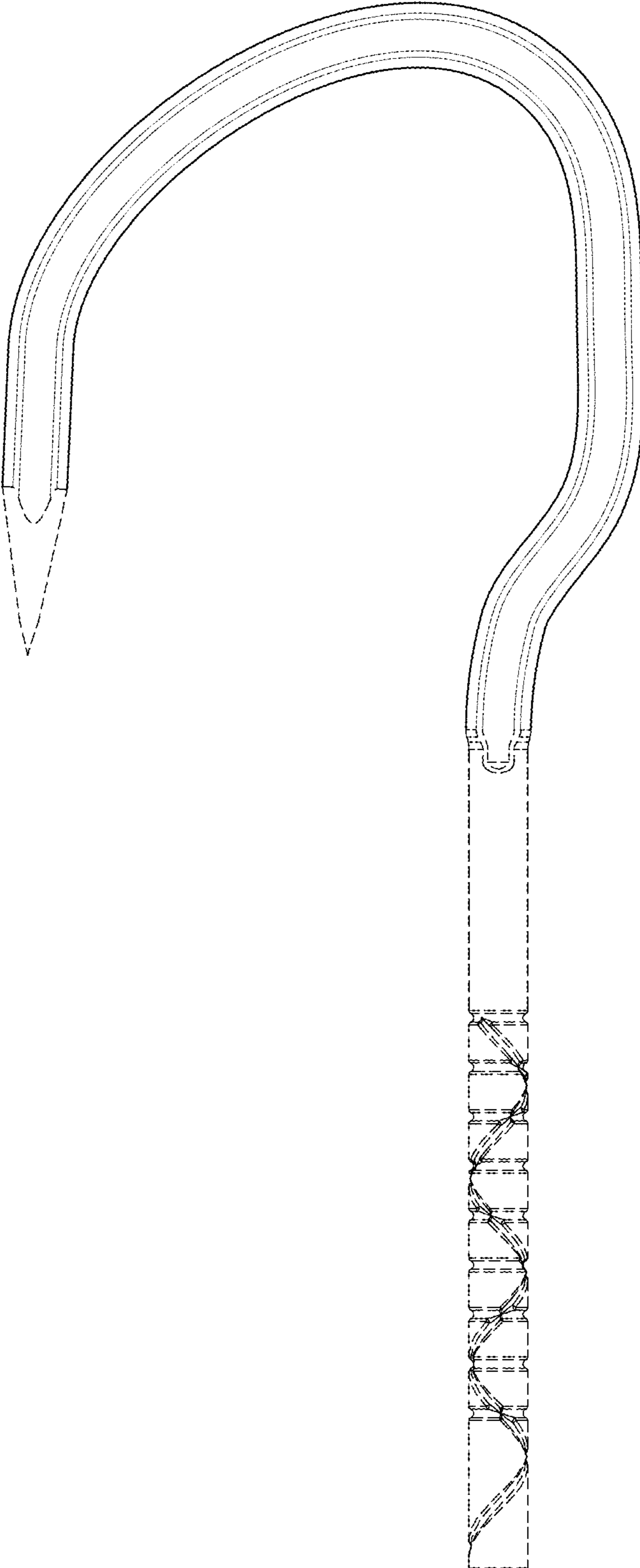


FIG. 6



FIG. 7



FIG. 8

