



US00D888884S

(12) **United States Design Patent**
Hagopian

(10) **Patent No.:** **US D888,884 S**

(45) **Date of Patent:** **** Jun. 30, 2020**

(54) **FISHING LURE**

(71) Applicant: **Brandon Marc Hagopian**, Cranston,
RI (US)

(72) Inventor: **Brandon Marc Hagopian**, Cranston,
RI (US)

(**) Term: **15 Years**

(21) Appl. No.: **29/692,454**

(22) Filed: **May 24, 2019**

(51) **LOC (12) Cl.** **22-05**

(52) **U.S. Cl.**
USPC **D22/144**

(58) **Field of Classification Search**
USPC D22/144, 126; 43/42.16, 42.43, 42.39,
43/42.37, 42.11, 42.13, 42.28, 42.41,
43/42.35, 42.45, 42.48, 44.89, 44.81,
43/42.53, 42.4
CPC A01K 85/00; A01K 85/01; A01K 85/02;
A01K 85/16; A01K 83/06
See application file for complete search history.

(56) **References Cited**

U.S. PATENT DOCUMENTS

- 2,787,859 A * 4/1957 Bay A01K 85/00
43/42.28
- D215,090 S * 9/1969 Bruckner D22/126
- D333,860 S * 3/1993 Barcus D22/126

- D346,200 S * 4/1994 Hildebrandt D22/126
- D408,883 S * 4/1999 Snyder D22/126
- D560,749 S * 1/2008 Moore D22/144
- D709,162 S * 7/2014 Yelton D22/144
- D857,154 S * 8/2019 Robinson D22/144
- D880,650 S * 4/2020 Schafer D22/144

* cited by examiner

Primary Examiner — Catherine R Oliver-Garcia
(74) *Attorney, Agent, or Firm* — Barlow, Josephs &
Holmes, Ltd.

(57) **CLAIM**

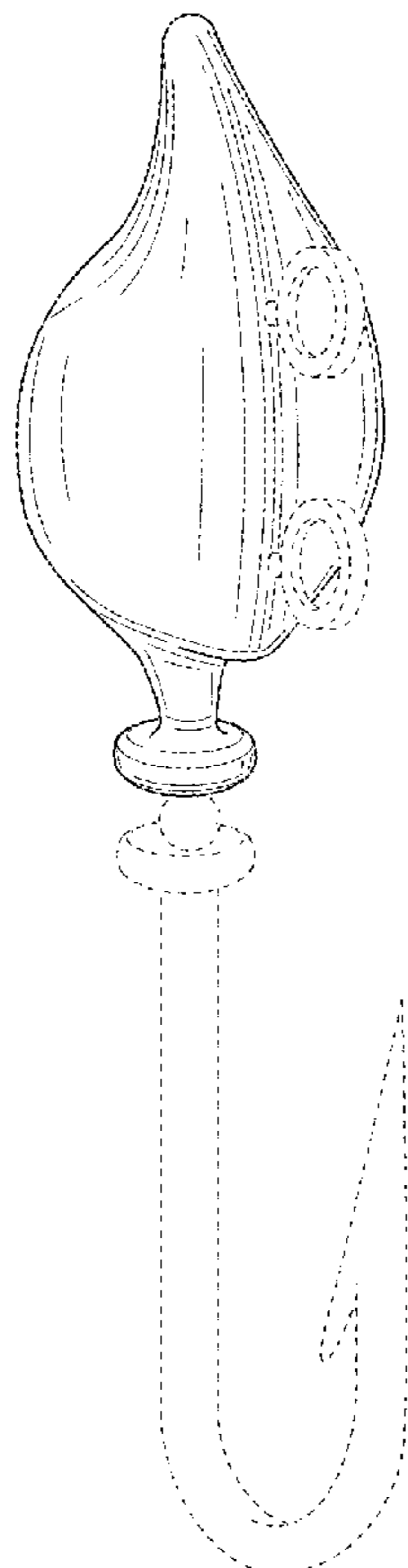
The ornamental design for a fishing lure, as shown and described.

DESCRIPTION

FIG. 1 is a front perspective view of a fishing lure, showing my new design;
FIG. 2 is a top view thereof;
FIG. 3 is a bottom view thereof;
FIG. 4 is a left view thereof;
FIG. 5 is a right view thereof;
FIG. 6 is a front view thereof;
FIG. 7 is a rear view thereof;
FIG. 8 is an alternate perspective view thereof;
FIG. 9 is an alternate side perspective view thereof; and,
FIG. 10 is an alternate side view thereof.

The subject matter depicted in dotted lines has been shown for illustrative purposes only and forms no part of the claimed design.

1 Claim, 7 Drawing Sheets



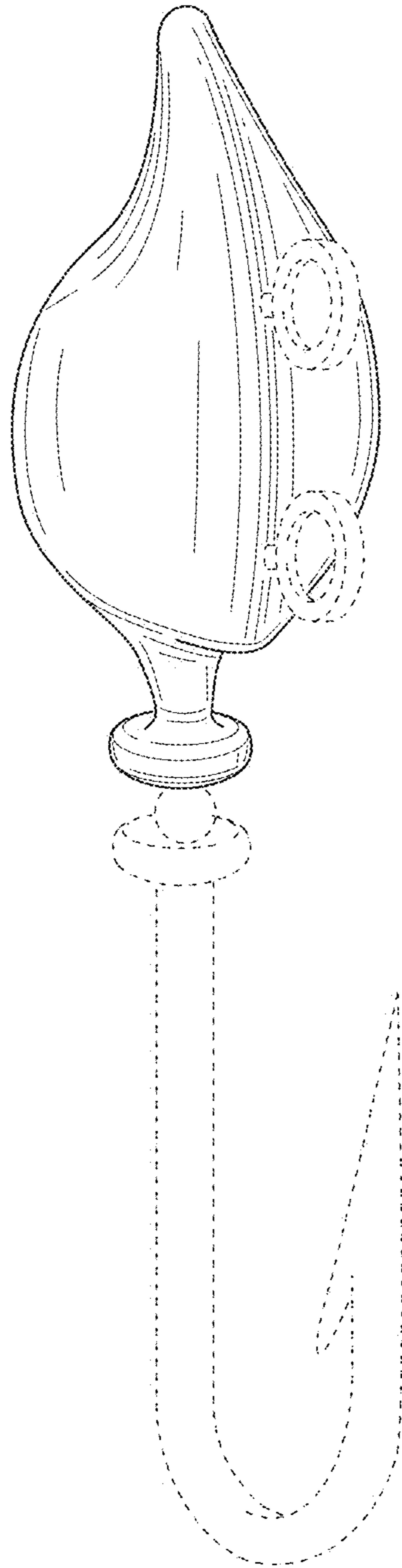


FIG. 1

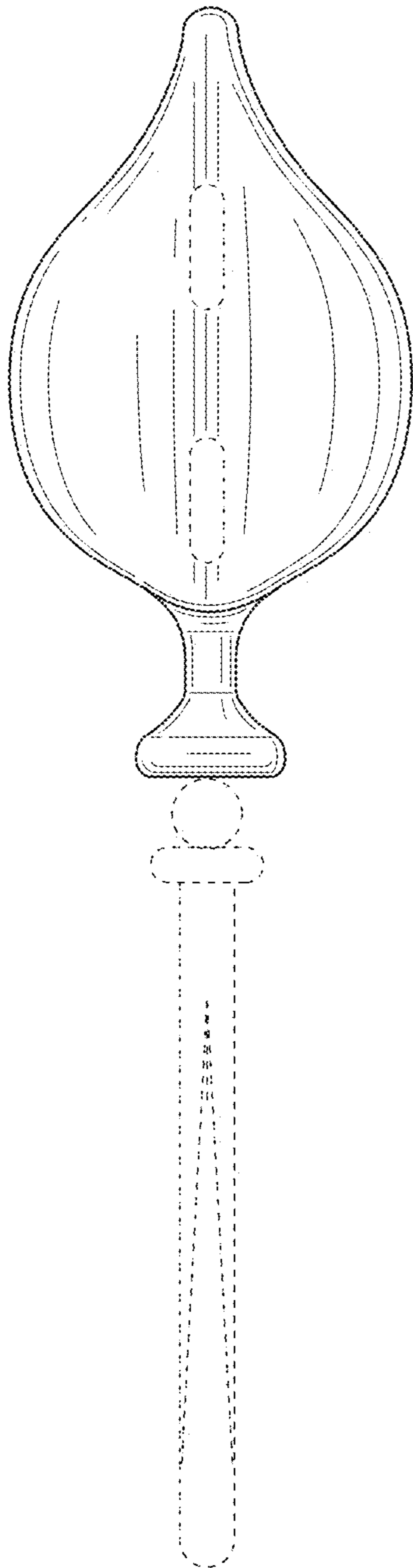


FIG. 2

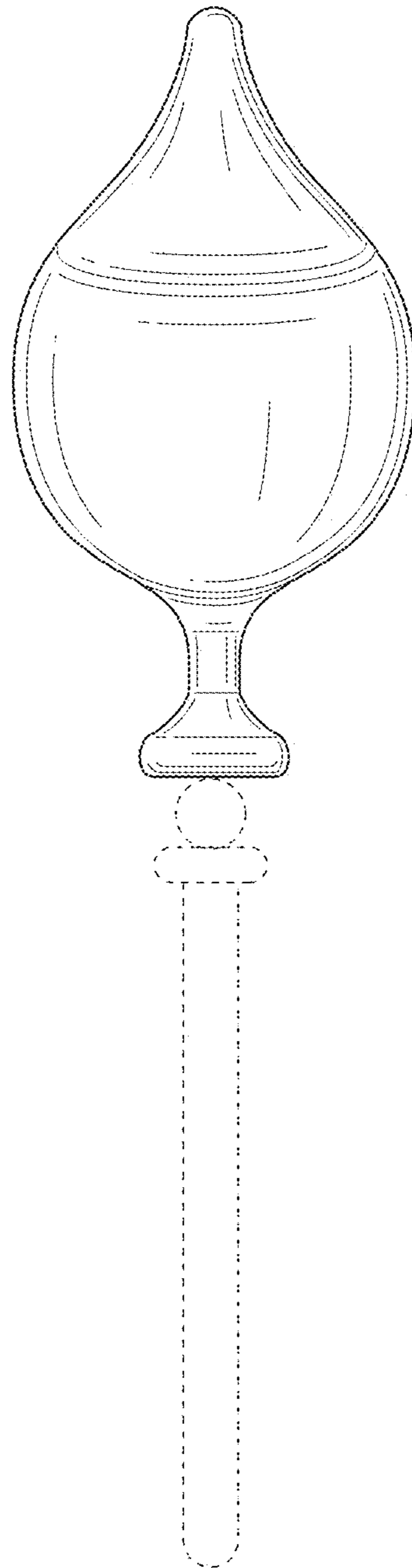


FIG. 3

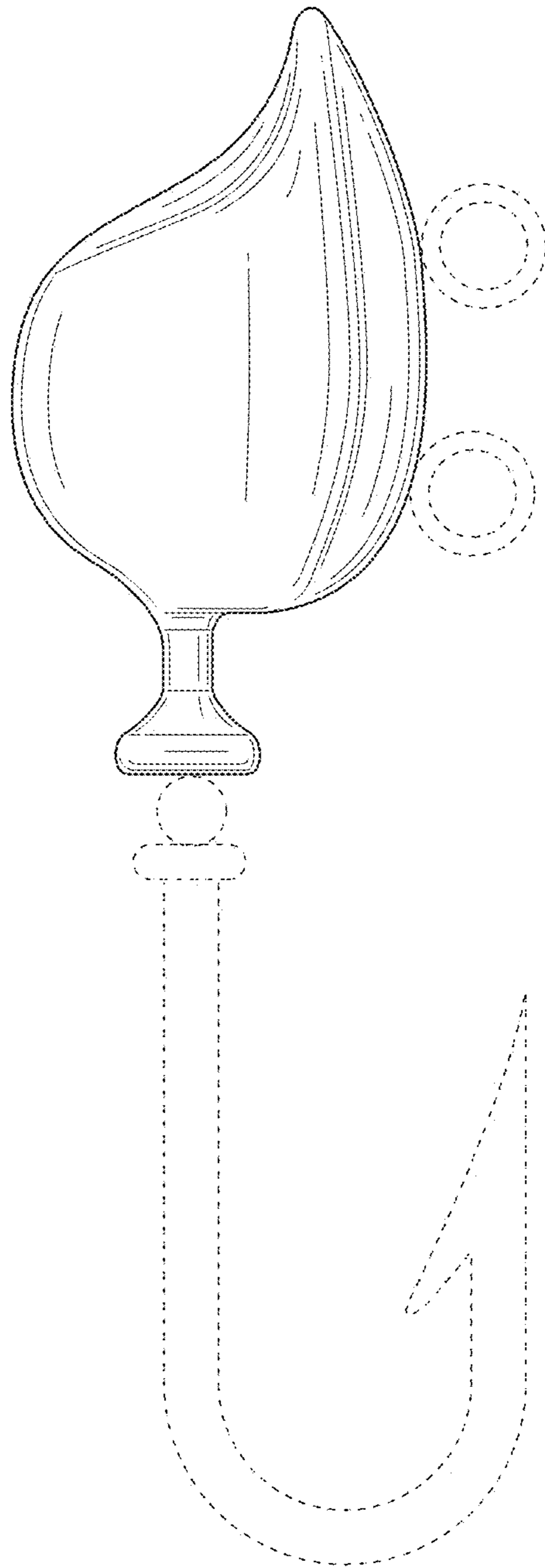


FIG. 4

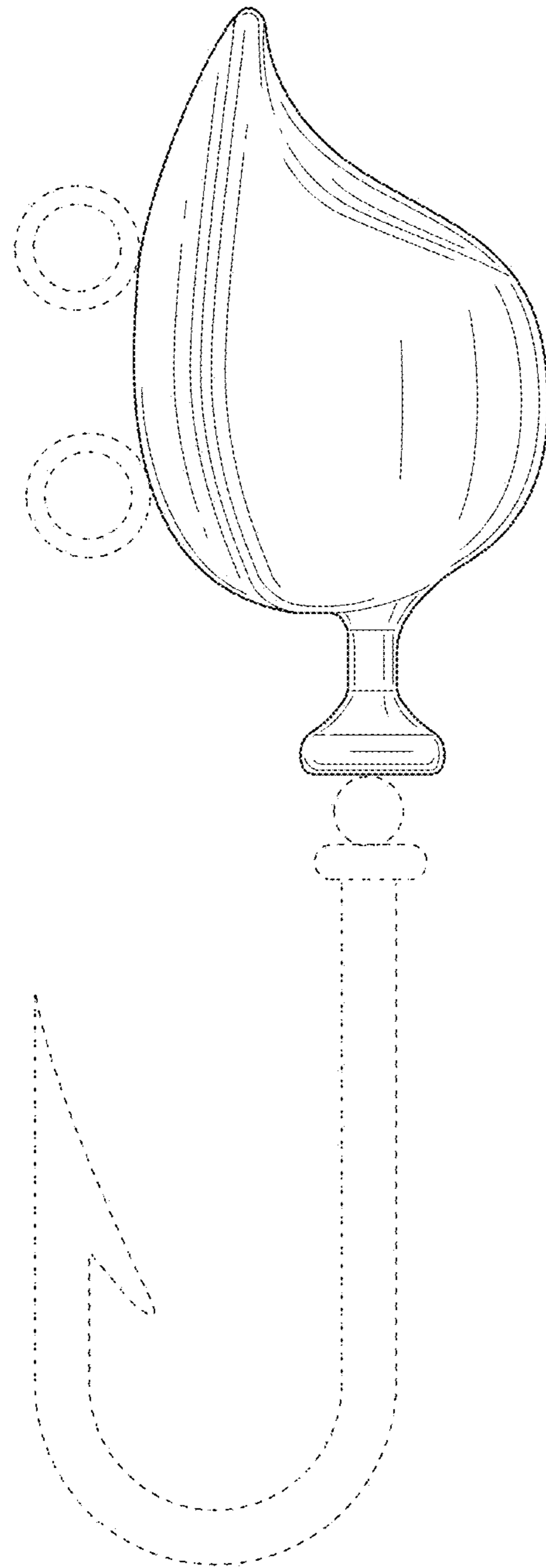


FIG. 5

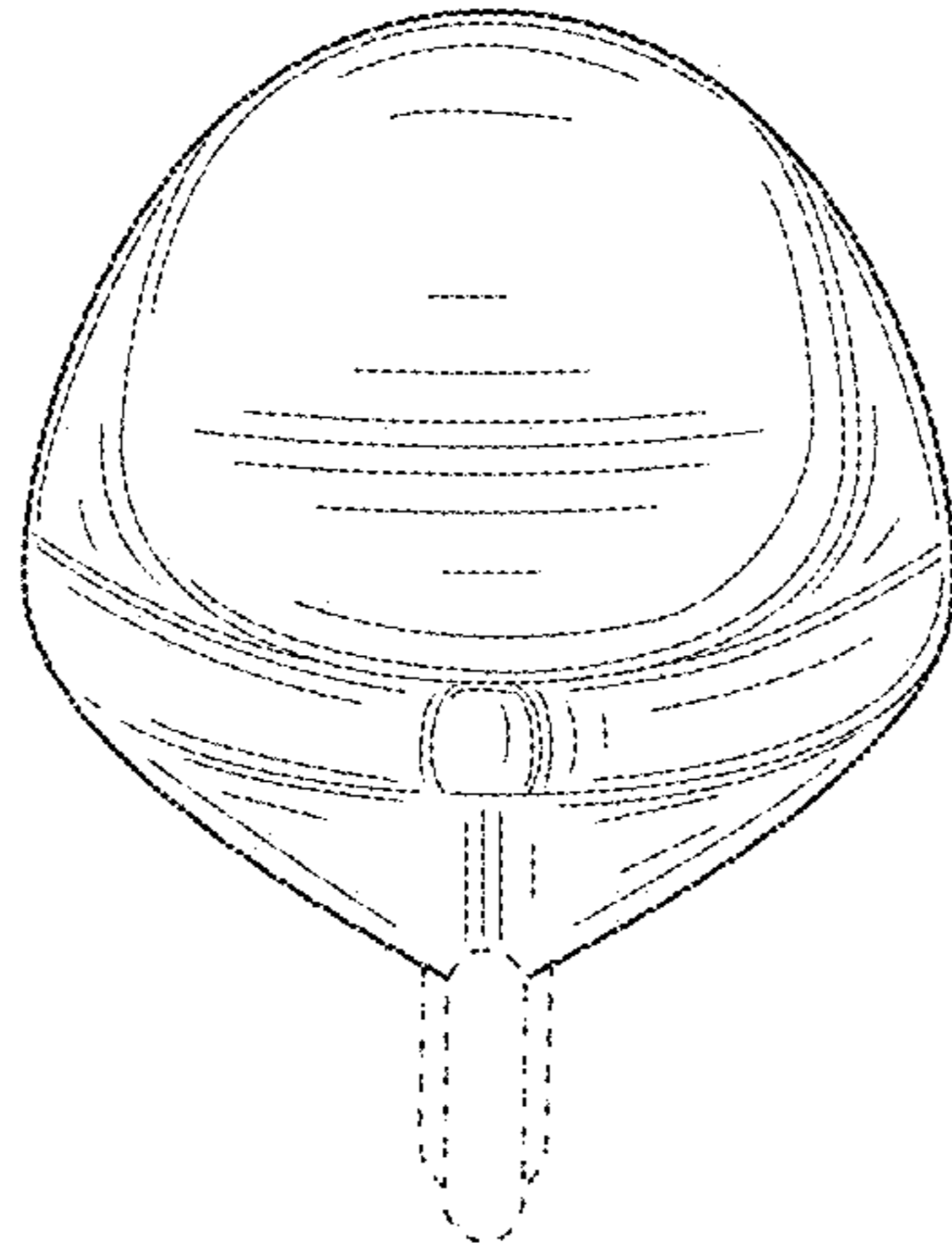


FIG. 6

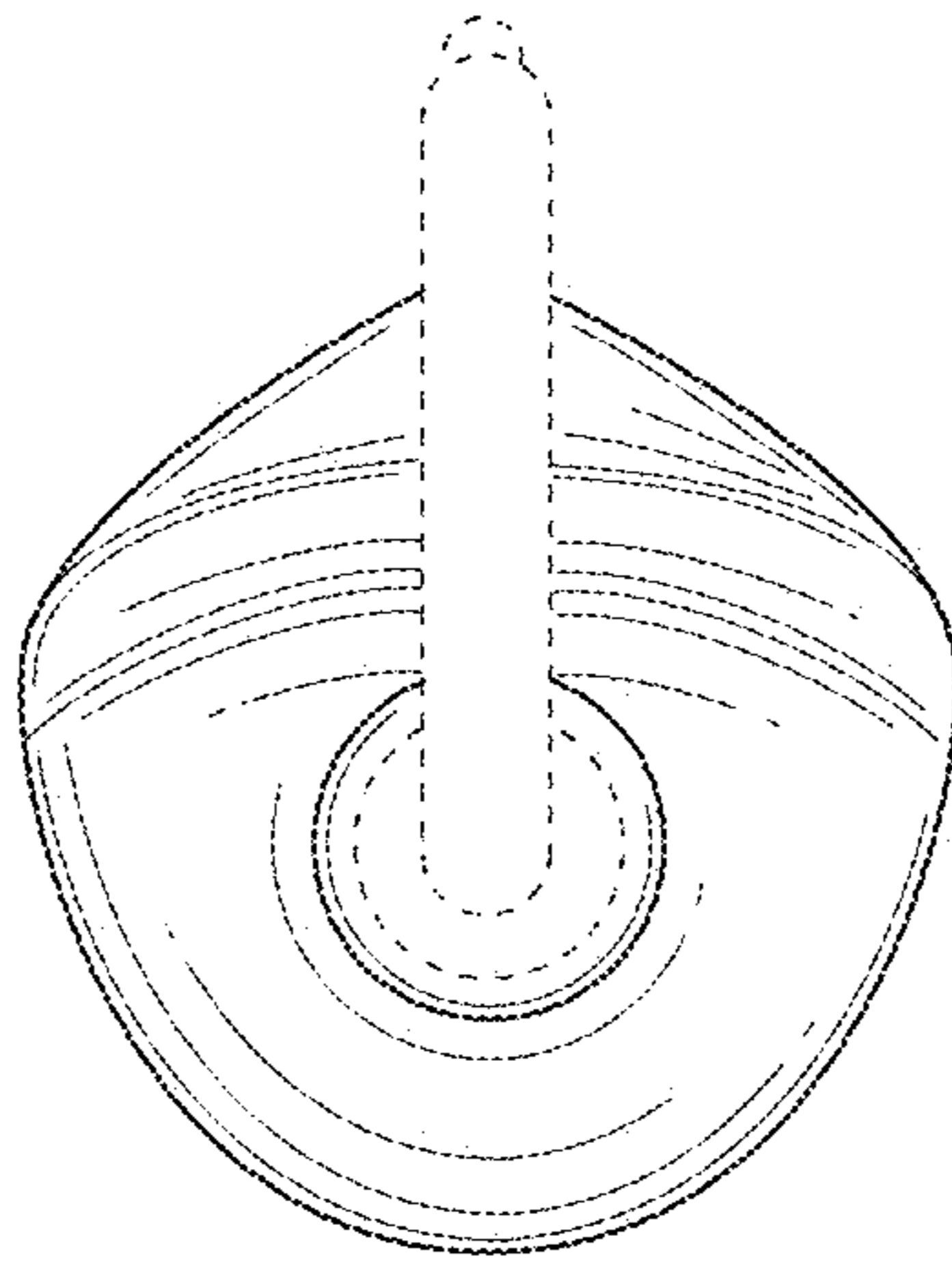


FIG. 7

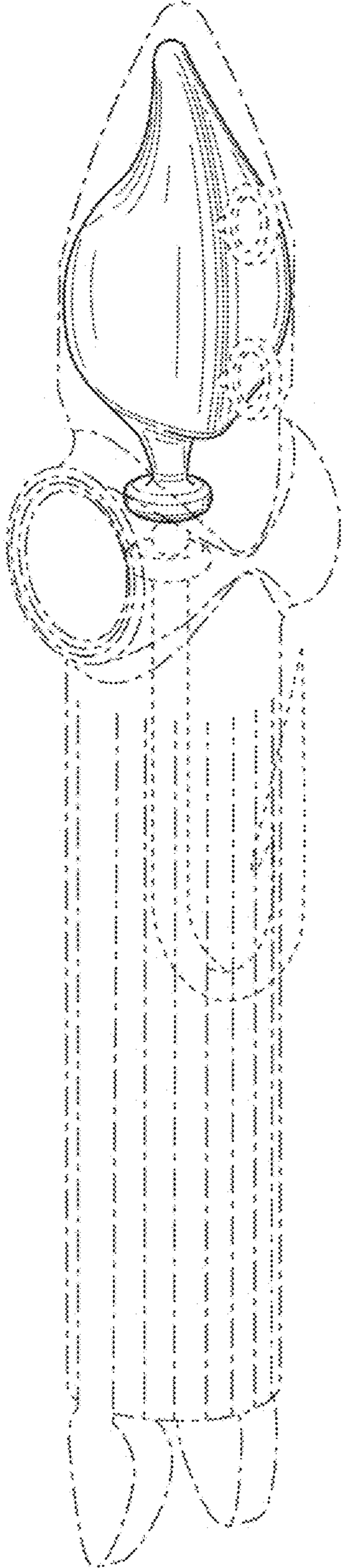


FIG. 8

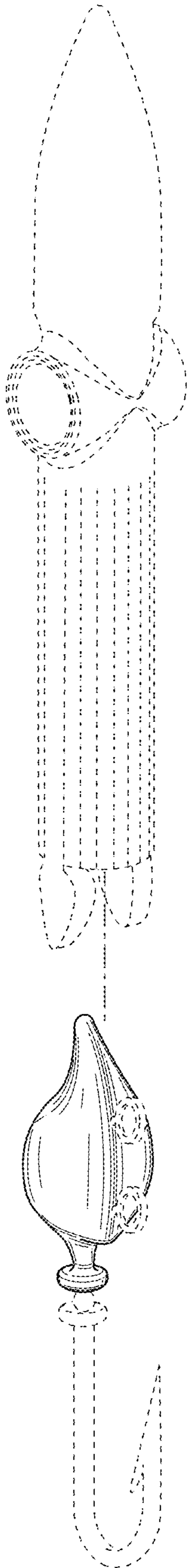


FIG. 9

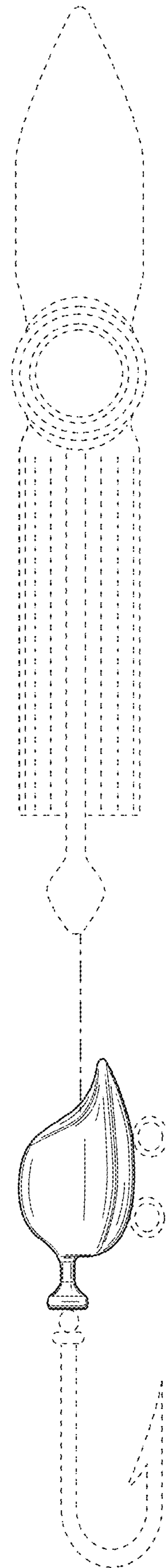


FIG. 10