



US00D88882S

(12) **United States Design Patent** (10) **Patent No.:** **US D888,882 S**
Gniffke (45) **Date of Patent:** **** *Jun. 30, 2020**

- (54) **BAIT CONTAINER**
- (71) Applicant: **Angling Innovations, LLC**, Maple Plain, MN (US)
- (72) Inventor: **Gary Gniffke**, Maple Plain, MN (US)
- (73) Assignee: **Angling Innovations LLC**, Maple Plain, MN (US)
- (*) Notice: This patent is subject to a terminal disclaimer.
- (**) Term: **15 Years**
- (21) Appl. No.: **29/635,958**
- (22) Filed: **Feb. 5, 2018**
- (51) **LOC (12) Cl.** **22-05**
- (52) **U.S. Cl.**
USPC **D22/136**
- (58) **Field of Classification Search**
USPC 43/55, 57; 261/121.2; 206/542, 561
See application file for complete search history.

5,472,274 A	12/1995	Baillie	
5,605,056 A	2/1997	Brown et al.	
5,661,924 A	9/1997	Maxwell	
5,695,282 A	12/1997	Hess	
5,799,435 A	9/1998	Stafford	
5,996,977 A	12/1999	Burgess	
6,036,038 A	3/2000	Lovelace et al.	
6,237,765 B1	5/2001	Hagen et al.	
D449,368 S *	10/2001	Gray	D22/136
6,729,066 B1	5/2004	Howley	
D574,668 S *	8/2008	Kelly	D22/136
D640,343 S *	6/2011	Haroian	D22/136
8,572,889 B1	11/2013	Hughes et al.	
8,607,498 B1	12/2013	Smith et al.	
8,832,993 B1	9/2014	Emmons, Sr. et al.	
9,101,123 B2	8/2015	Schaeffbauer et al.	
9,408,490 B2	8/2016	McLean et al.	
9,433,200 B2	9/2016	Norman	
D782,606 S *	3/2017	Keeble	D22/136
D832,973 S *	11/2018	Keeble	D22/136
2005/0055869 A1	3/2005	Corso et al.	
2008/0028667 A1	2/2008	Grzybowski	

(Continued)

Primary Examiner — Catherine R Oliver-Garcia
(74) Attorney, Agent, or Firm — Haugen Law Firm PLLP

(57) **CLAIM**

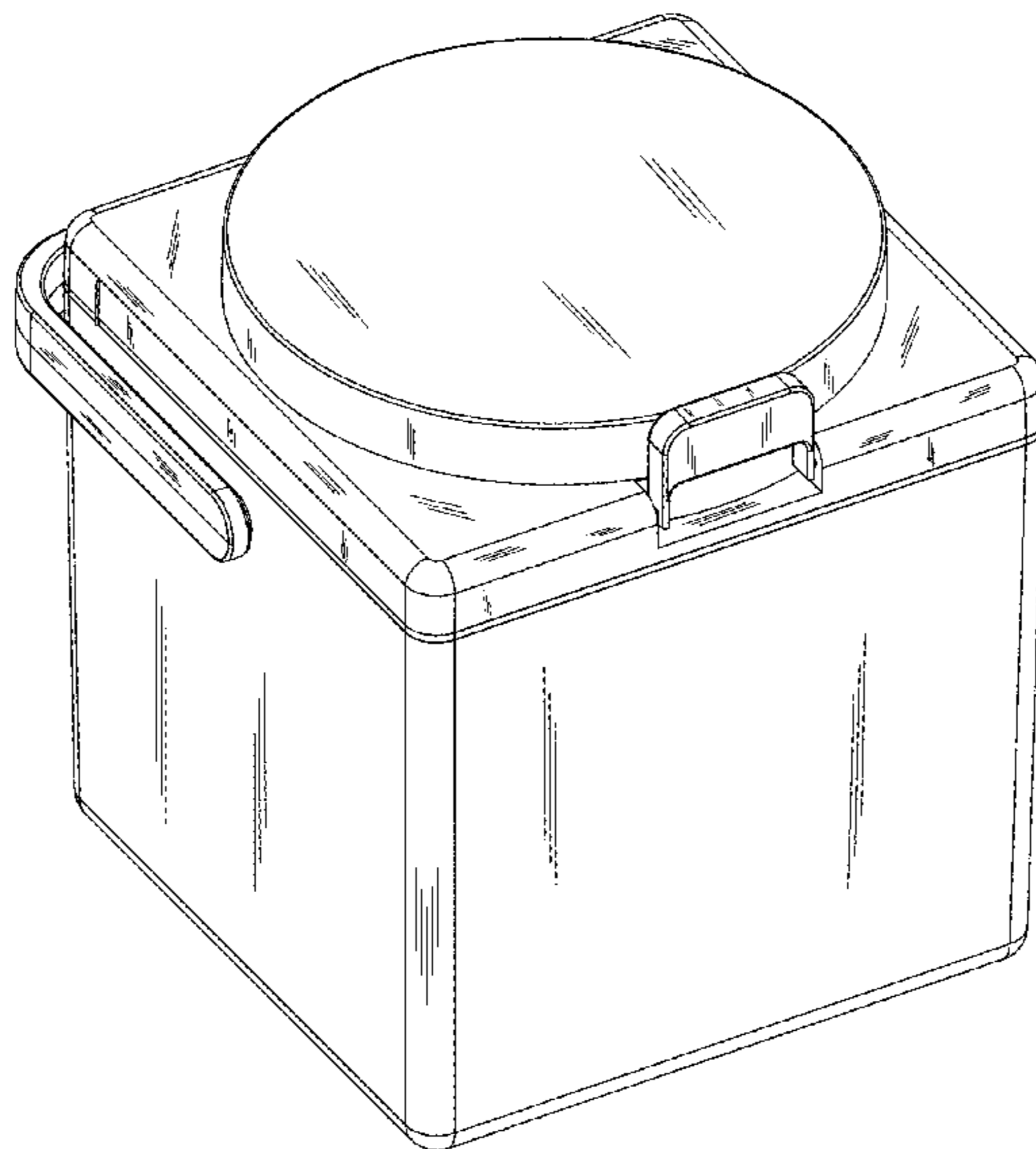
The ornamental design for a bait container, as shown and described.

DESCRIPTION

FIG. 1 is a front top left-side perspective view of the bait container of the present invention;
FIG. 2 is a front view thereof;
FIG. 3 is a rear view thereof;
FIG. 4 is a left side view thereof;
FIG. 5 is a right side view thereof;
FIG. 6 is a top view thereof;
FIG. 7 is a bottom view thereof; and,
FIG. 8 is a bottom rear right perspective view thereof.

1 Claim, 8 Drawing Sheets

- (56) **References Cited**
U.S. PATENT DOCUMENTS
- | | | | |
|---------------|---------|-----------------|------------|
| 2,002,572 A | 5/1935 | Forbes et al. | |
| 2,474,745 A | 6/1949 | Lewis | |
| 3,000,132 A | 9/1961 | Koistinen | |
| 3,751,845 A * | 8/1973 | van Leeuwen | A01K 97/05 |
| | | | 43/56 |
| D235,205 S * | 5/1975 | Schwartz | D22/136 |
| 4,403,483 A | 9/1983 | Lisalda | |
| 4,677,785 A * | 7/1987 | Lambourn | A01K 97/05 |
| | | | 261/121.2 |
| D303,563 S * | 9/1989 | Palmer | D22/136 |
| 5,212,902 A | 5/1993 | Moorhead et al. | |
| 5,231,789 A | 8/1993 | Radmanovich | |
| 5,267,410 A | 12/1993 | Peyatt | |



(56)

References Cited

U.S. PATENT DOCUMENTS

2009/0022859 A1 1/2009 Foster
2012/0269025 A1 10/2012 Liu
2013/0326930 A1 12/2013 Reyes
2014/0048510 A1 2/2014 Kilduff et al.
2015/0157002 A1 6/2015 Paquette

* cited by examiner

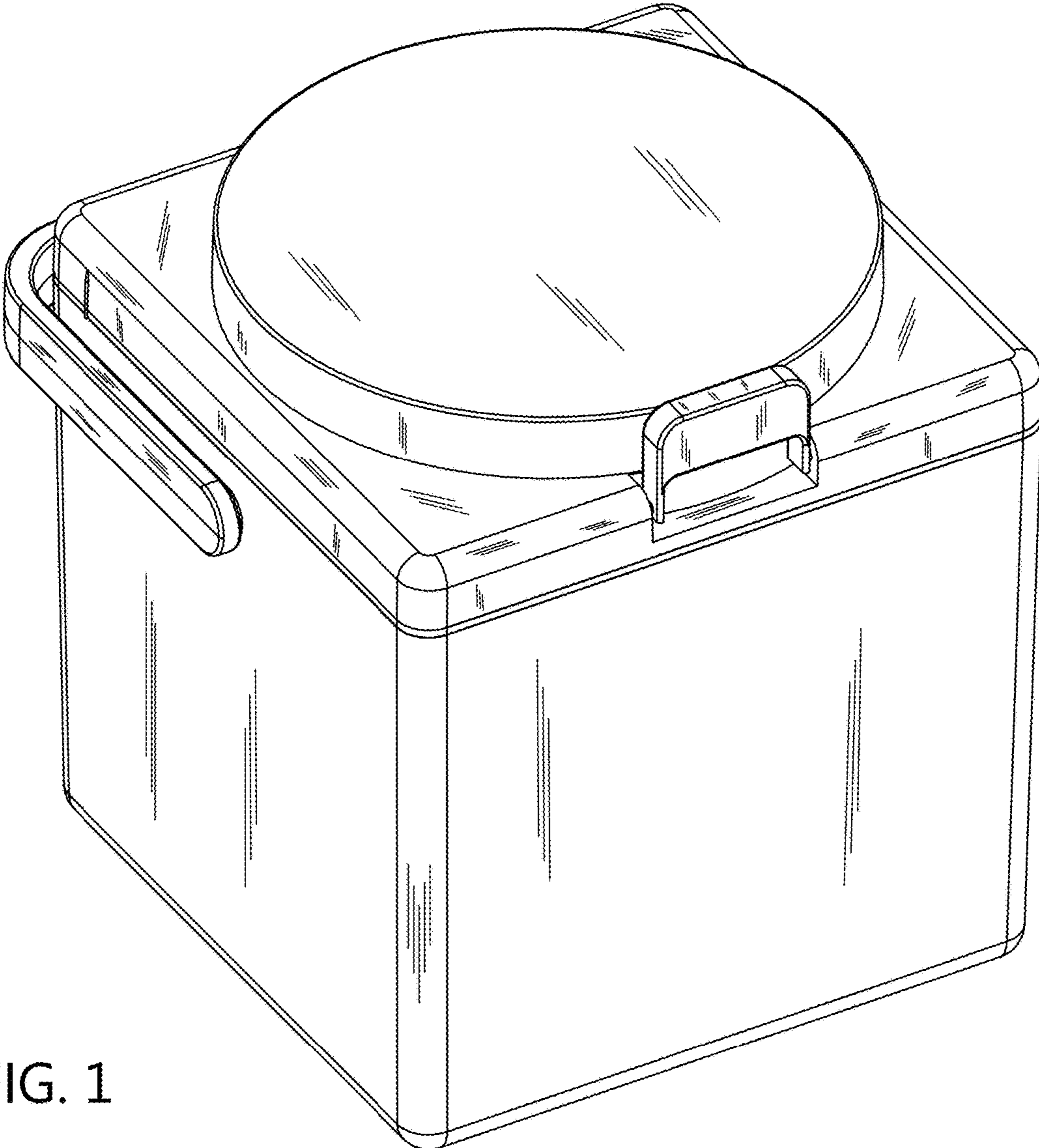


FIG. 1

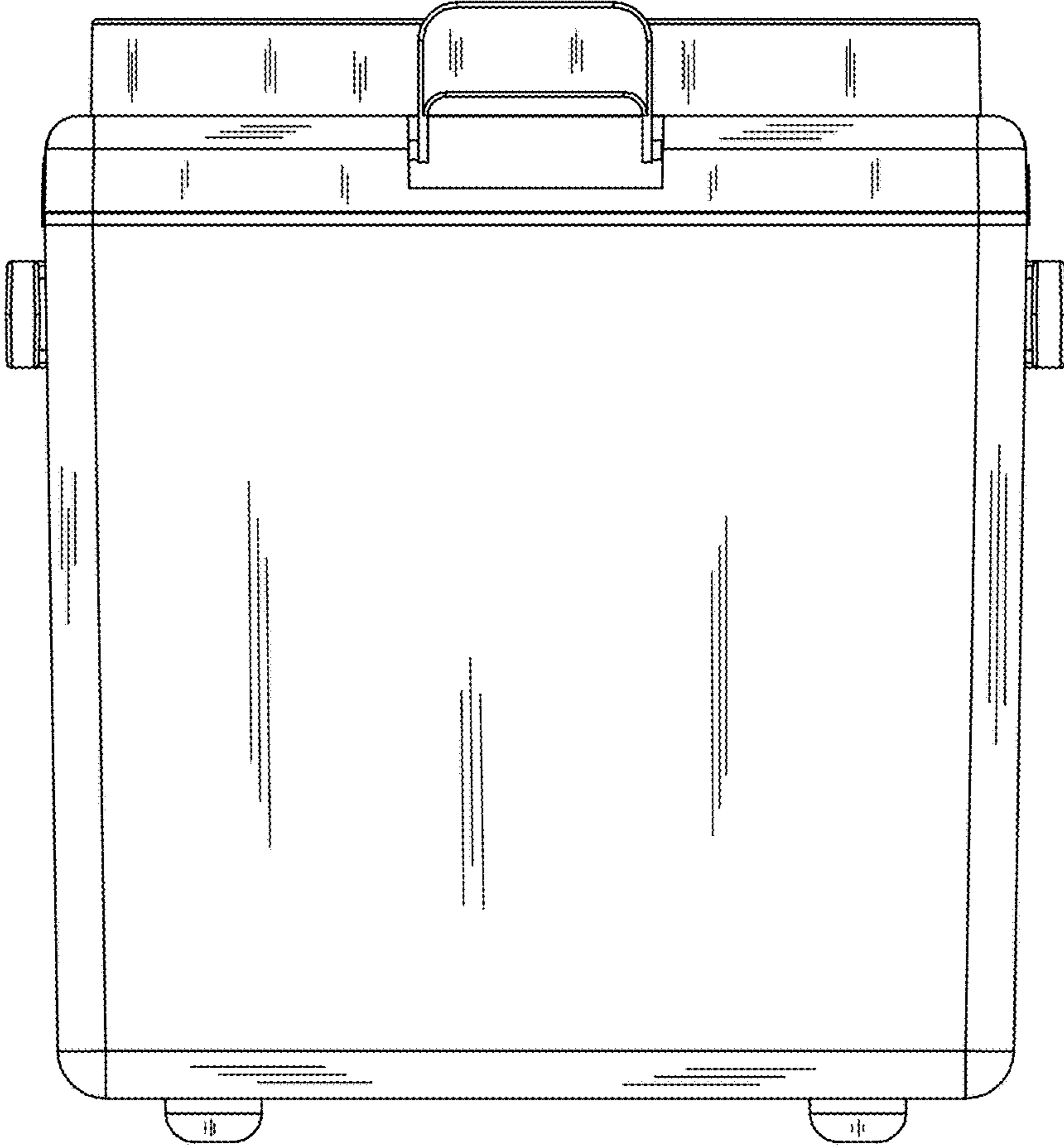


FIG. 2

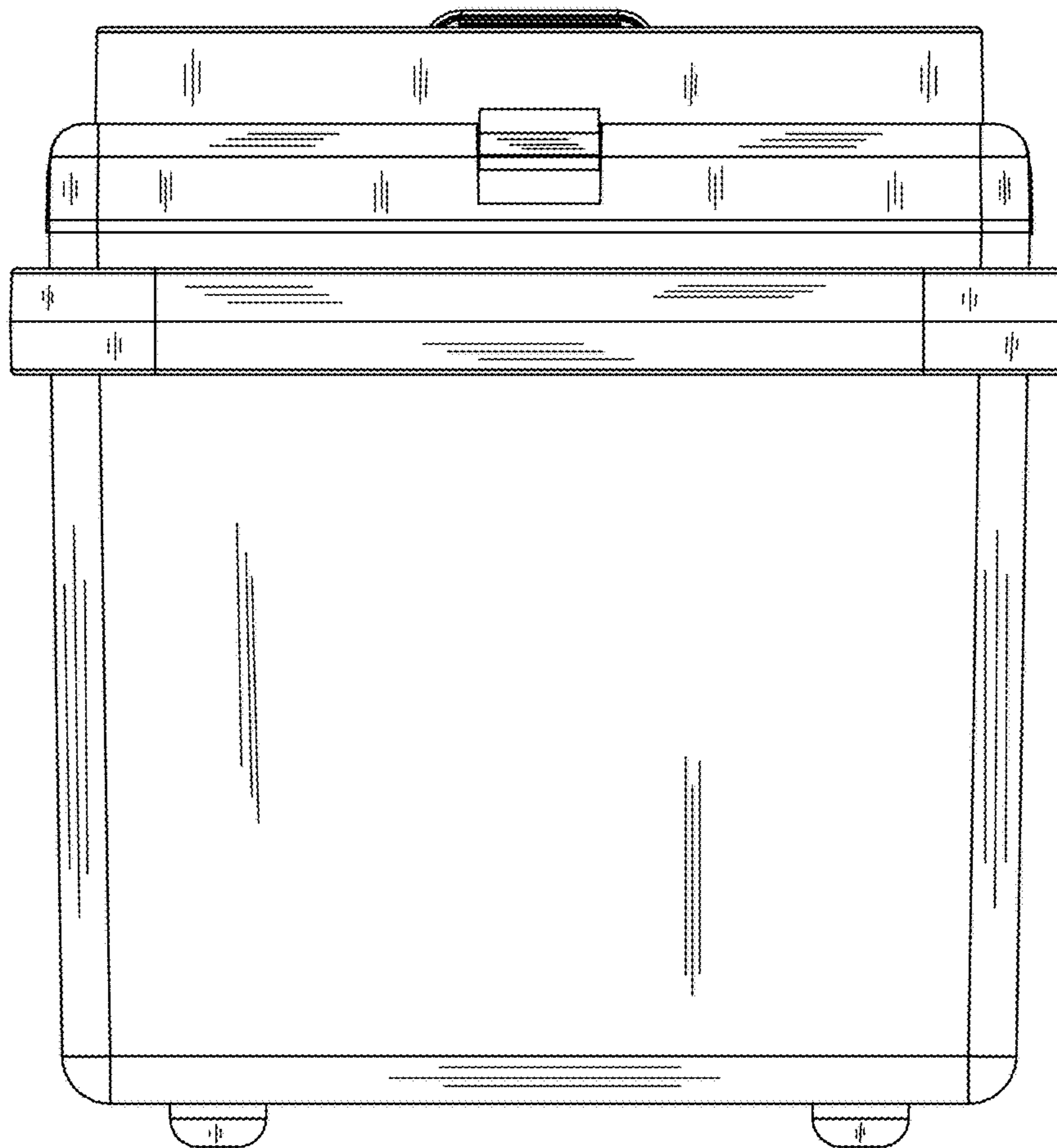


FIG. 3

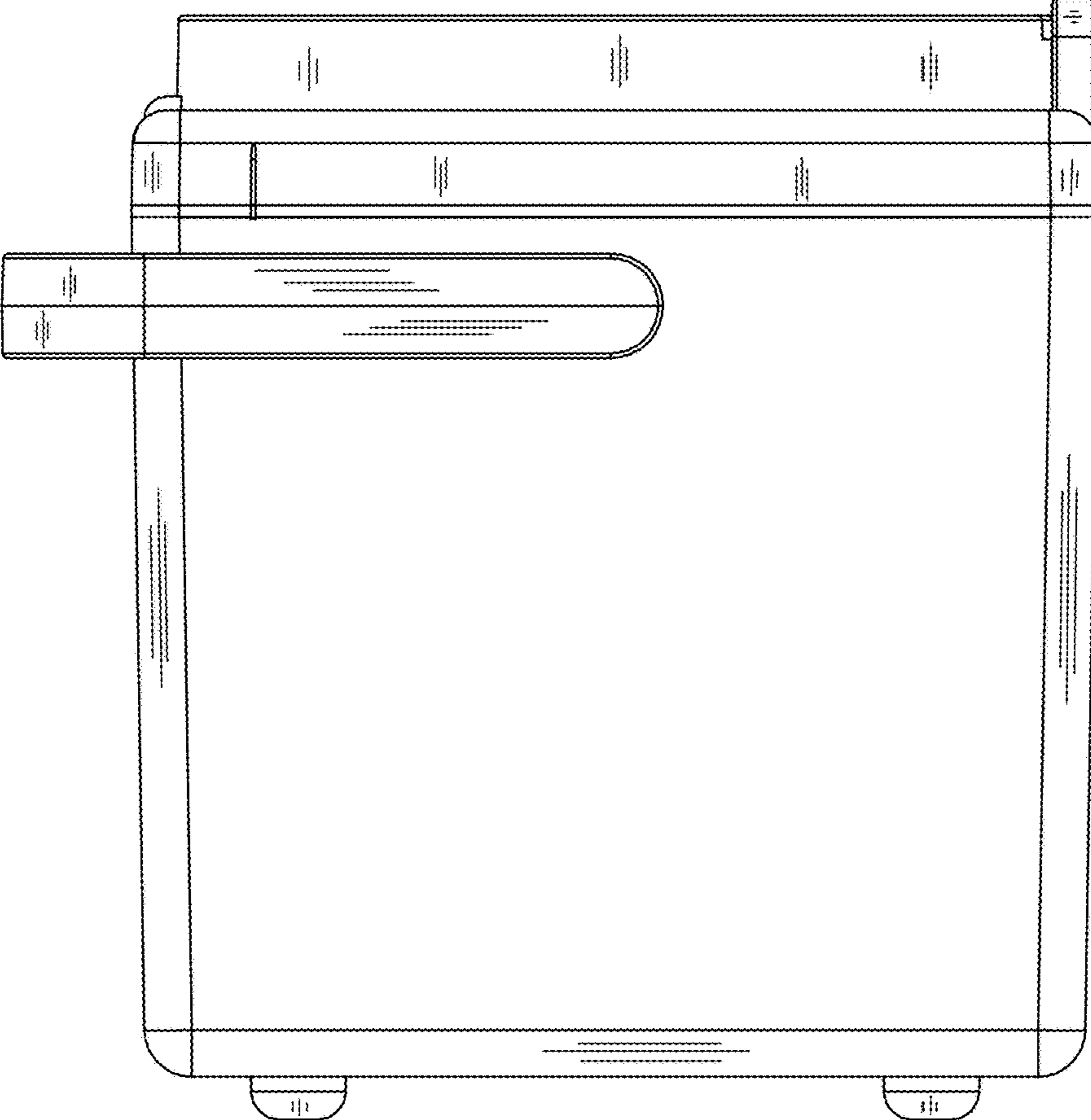


FIG. 4

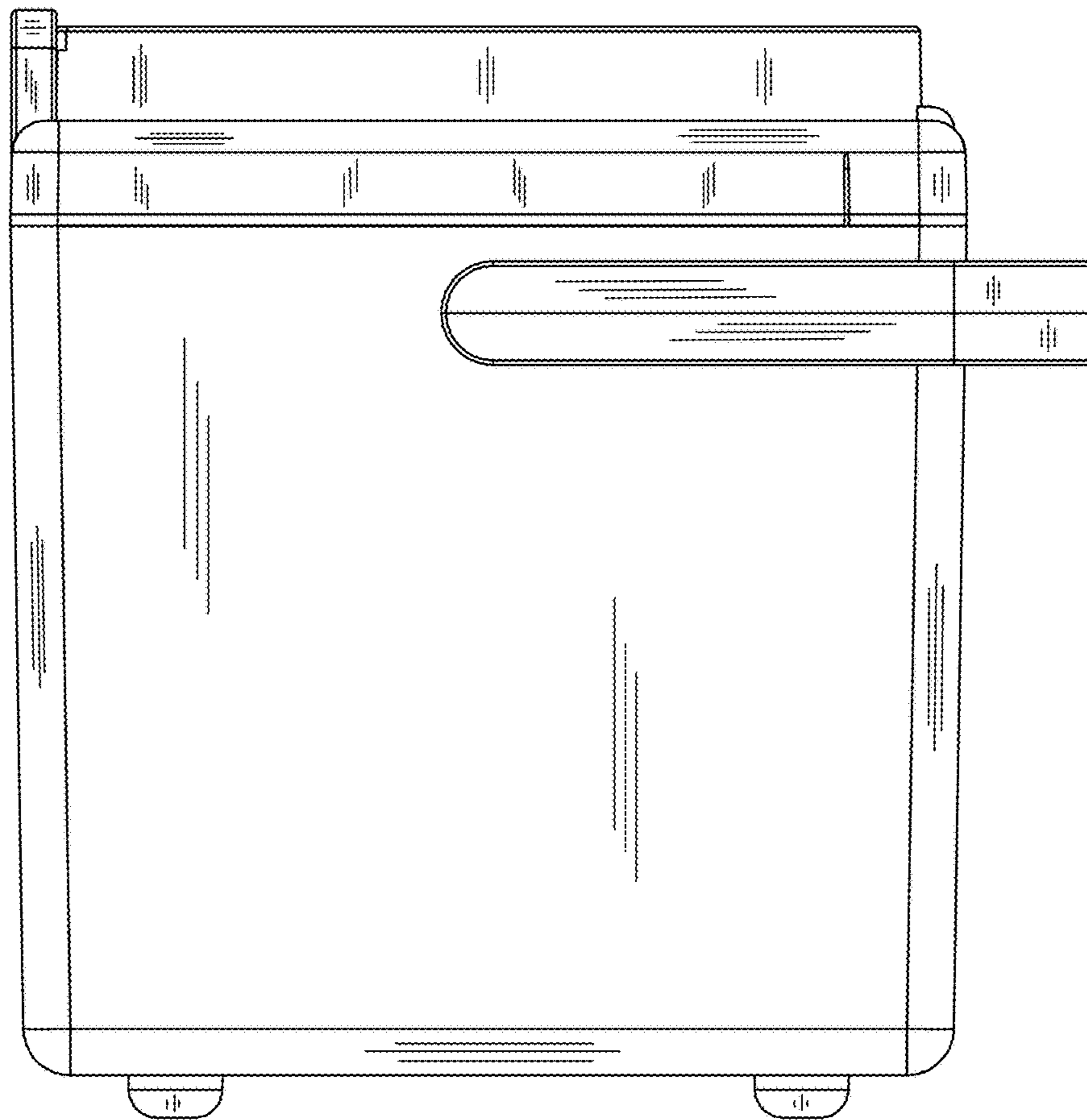


FIG. 5

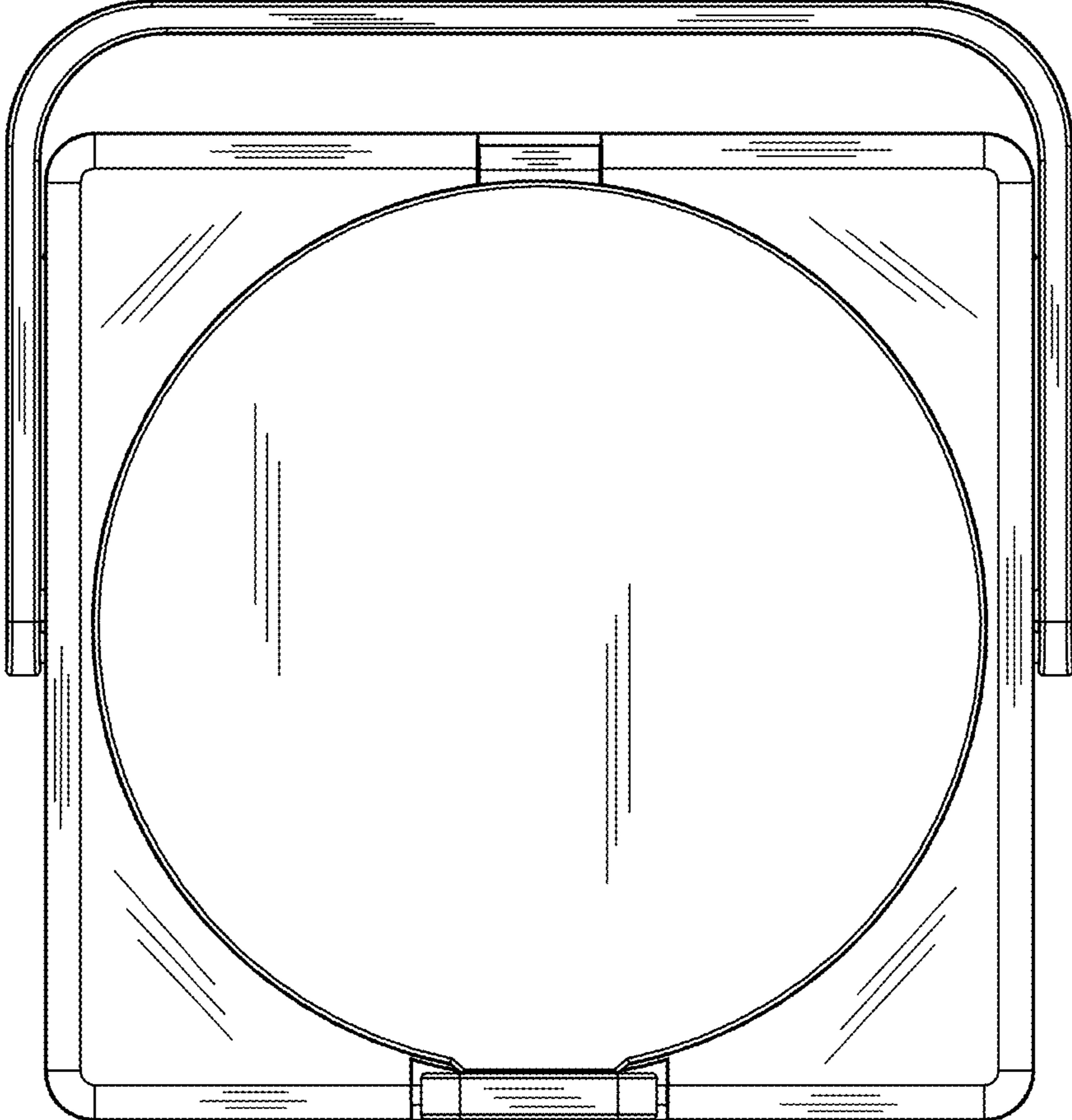


FIG. 6

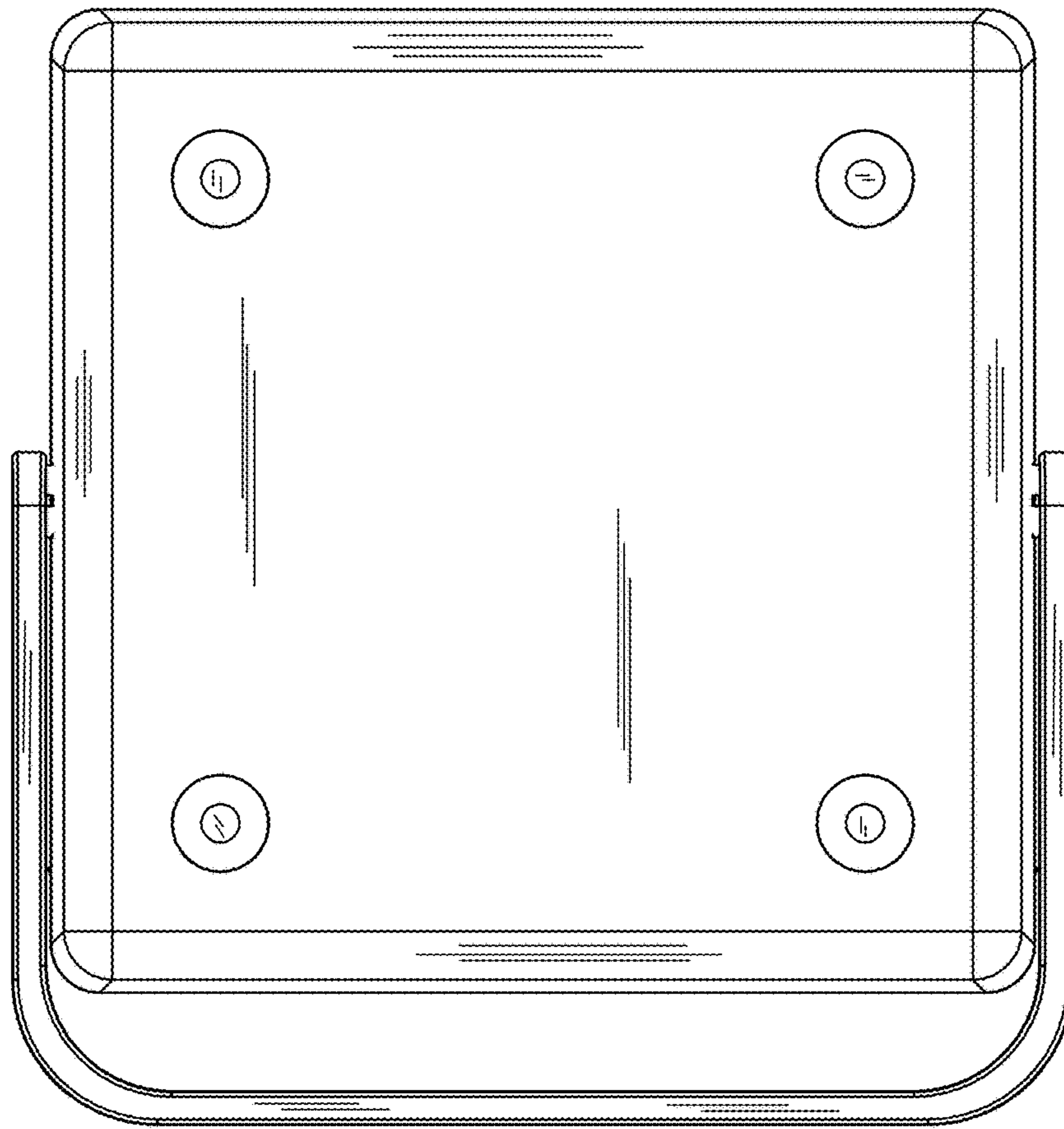


FIG. 7

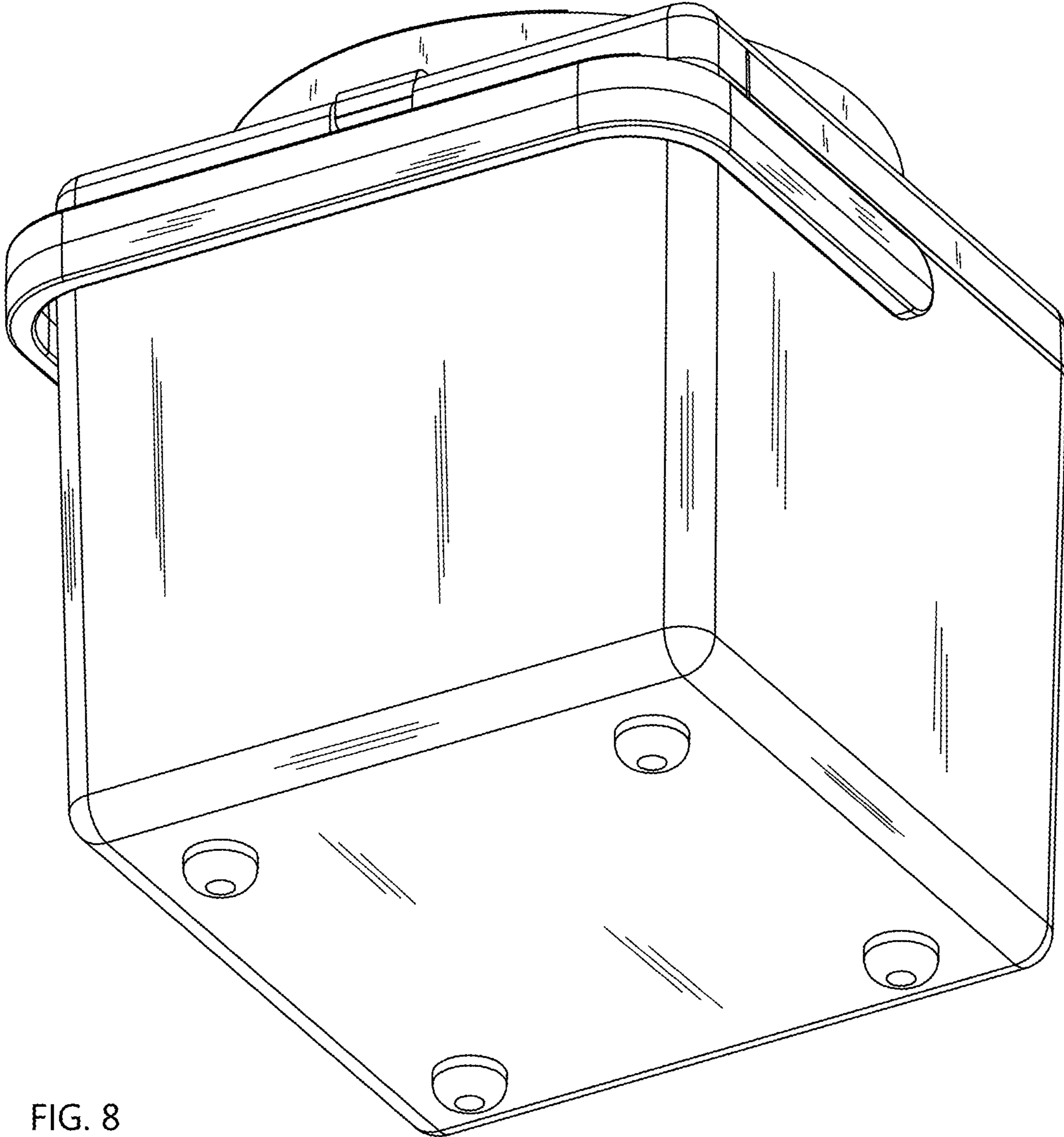


FIG. 8