



US00D888877S

(12) **United States Design Patent** (10) **Patent No.:** **US D888,877 S**  
**White** (45) **Date of Patent:** **\*\* Jun. 30, 2020**

(54) **INSECT CATCHING FUNNEL SHAPED LID FOR DISPOSABLE CUP**

(71) Applicant: **Jesse Jonah White**, Hardin, IL (US)

(72) Inventor: **Jesse Jonah White**, Hardin, IL (US)

(\*\*) Term: **15 Years**

(21) Appl. No.: **29/691,306**

(22) Filed: **May 15, 2019**

(51) **LOC (12) Cl.** ..... **22-06**

(52) **U.S. Cl.**  
USPC ..... **D22/122**

(58) **Field of Classification Search**  
USPC ..... D22/122; 43/107, 112–114, 121–122, 43/124, 132.1, 139; D9/477; D7/500, D7/610, 624.3, 629  
CPC ..... A01M 1/04; A01M 1/103; A01M 1/106; A01M 1/14; A01M 1/026; A01M 29/12  
See application file for complete search history.

(56) **References Cited**

**U.S. PATENT DOCUMENTS**

D257,442 S *	10/1980	Nakai	.....	D18/59
D285,159 S *	8/1986	Wexler	.....	D7/610
D285,179 S *	8/1986	Browne	.....	D22/122
5,033,229 A *	7/1991	Demarest	.....	A01M 1/2011 43/131
D335,521 S *	5/1993	Petersen	.....	D22/119
D336,506 S *	6/1993	Petersen	.....	D22/119
D477,223 S	7/2003	Smith et al.		
6,925,749 B2	8/2005	Wong		
D566,225 S *	4/2008	Cink	.....	D22/122
D580,510 S *	11/2008	Berger	.....	D22/122
D829,849 S *	10/2018	Sanford	.....	D22/122

**OTHER PUBLICATIONS**

X-Seal & Go, seatosummit.com (Year: 2019).\*

\* cited by examiner

*Primary Examiner* — Catherine R Oliver-Garcia  
(74) *Attorney, Agent, or Firm* — CreatiVenture Law, LLC; Dennis JM Donahue, III; Kevin C. Staed

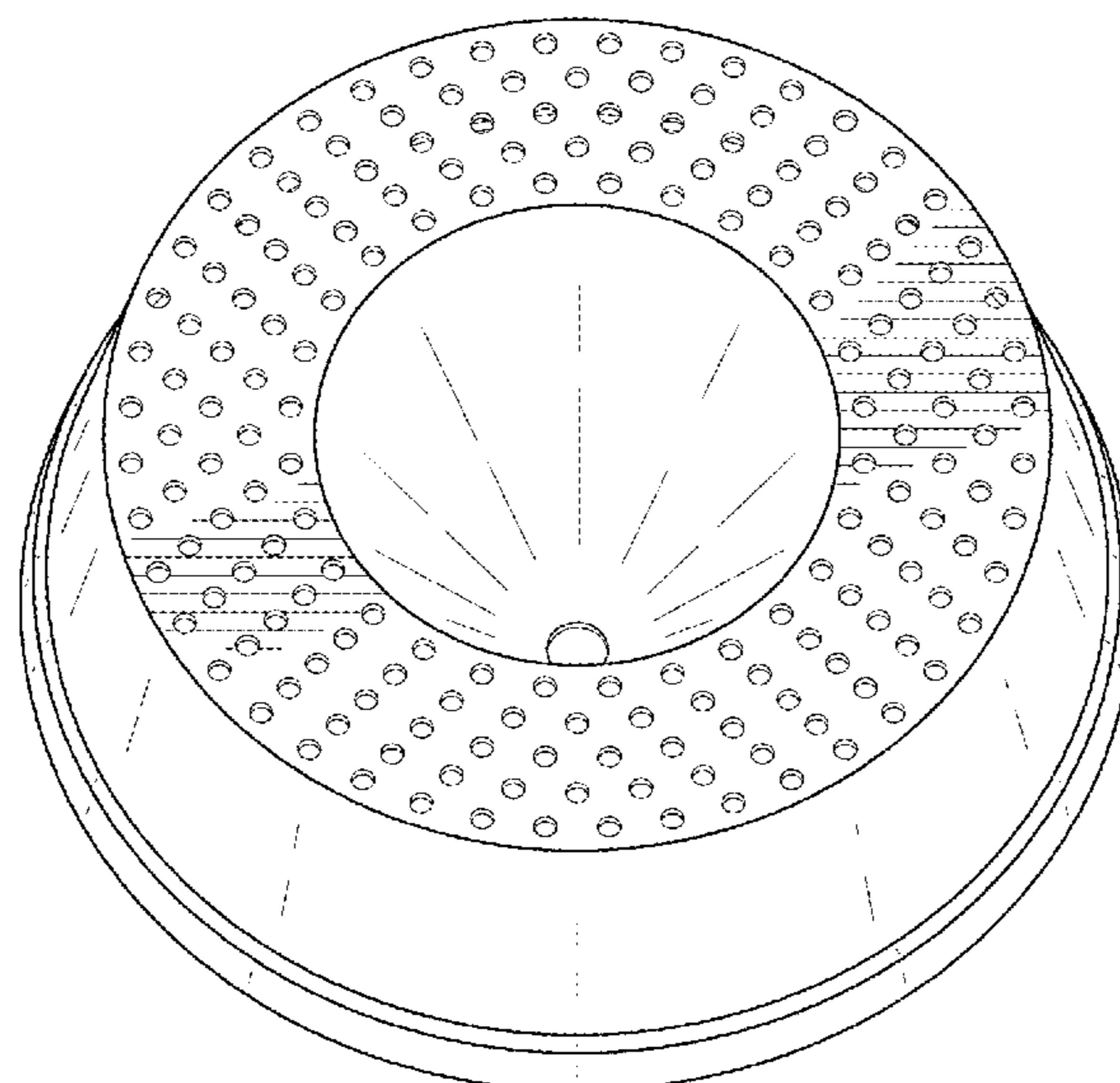
(57) **CLAIM**

The ornamental design for an insect catching funnel shaped lid for disposable cup, as shown and described.

**DESCRIPTION**

FIG. 1 is a top perspective view of an insect catching funnel shaped lid for a disposable cup;  
FIG. 2 is a bottom perspective view of the insect catching funnel shaped lid in FIG. 1;  
FIG. 3 is a top plan view thereof;  
FIG. 4 is a bottom plan view thereof;  
FIG. 5 is a side elevation view thereof;  
FIG. 6 is a front elevation view of the insect catching funnel shaped lid fitted over the top rim of a disposable cup;  
FIG. 7 is a top perspective view of an insect catching funnel shaped lid for a disposable cup showing a second embodiment of the design;  
FIG. 8 is a bottom perspective view of the insect catching funnel shaped lid in FIG. 7;  
FIG. 9 is a top plan view thereof;  
FIG. 10 is a bottom plan view thereof;  
FIG. 11 is a side elevation view thereof; and,  
FIG. 12 is a side elevation view thereof with the cover on the nozzle.  
The back elevation view and the side elevation view are substantially as shown in the front elevation view.  
The broken lines in FIGS. 6 and 12 illustrate the cup on which the insect catching funnel shaped lid is placed and is shown to depict the environment in which the lid is used. The broken lines in FIGS. 7-10 depict optional holes that can be formed on the top side of the insect catching funnel shaped lid and are for illustrative purposes. None of the broken lines form a part of a part of the claimed design.

**1 Claim, 6 Drawing Sheets**



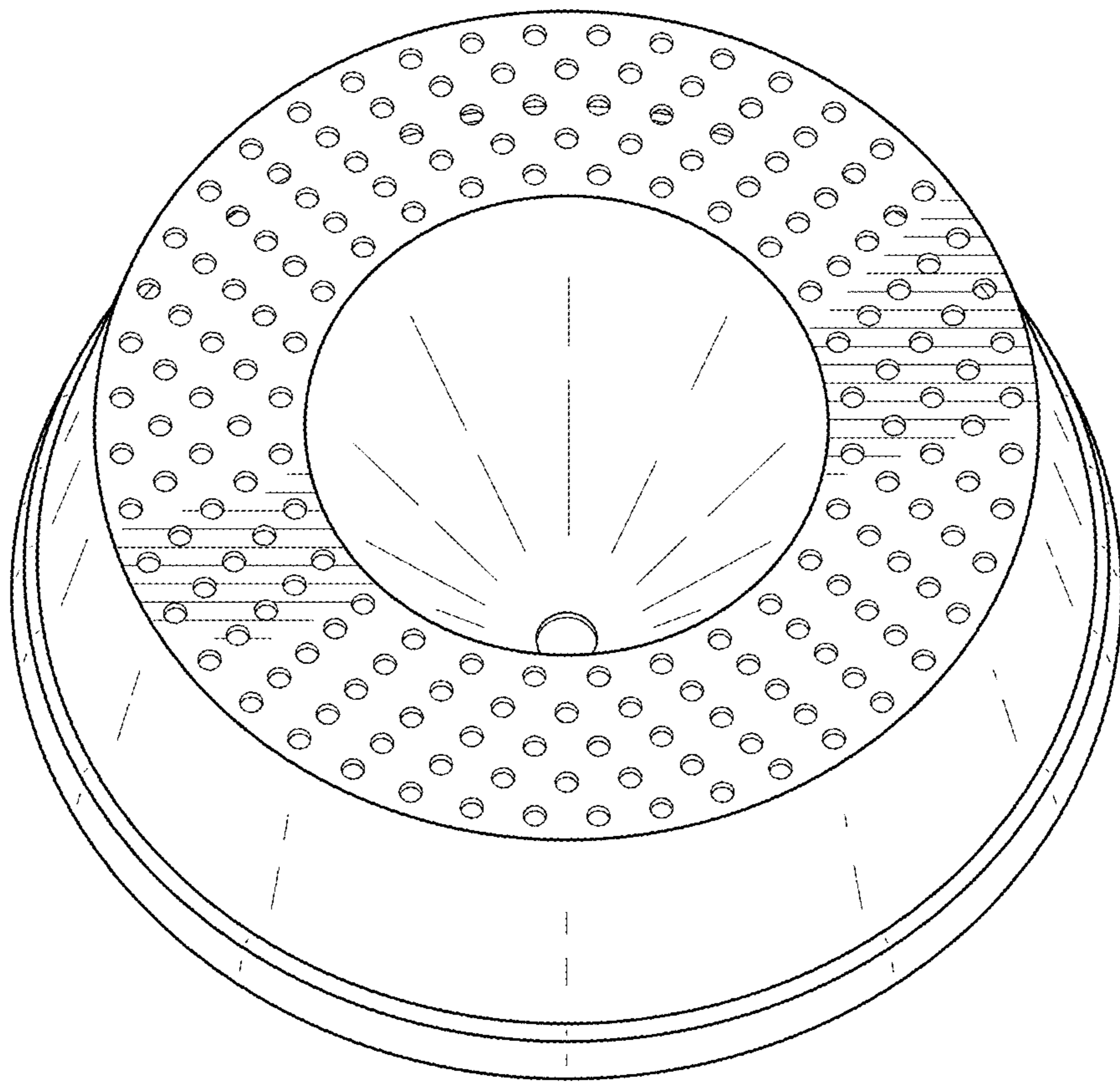


FIG. 1

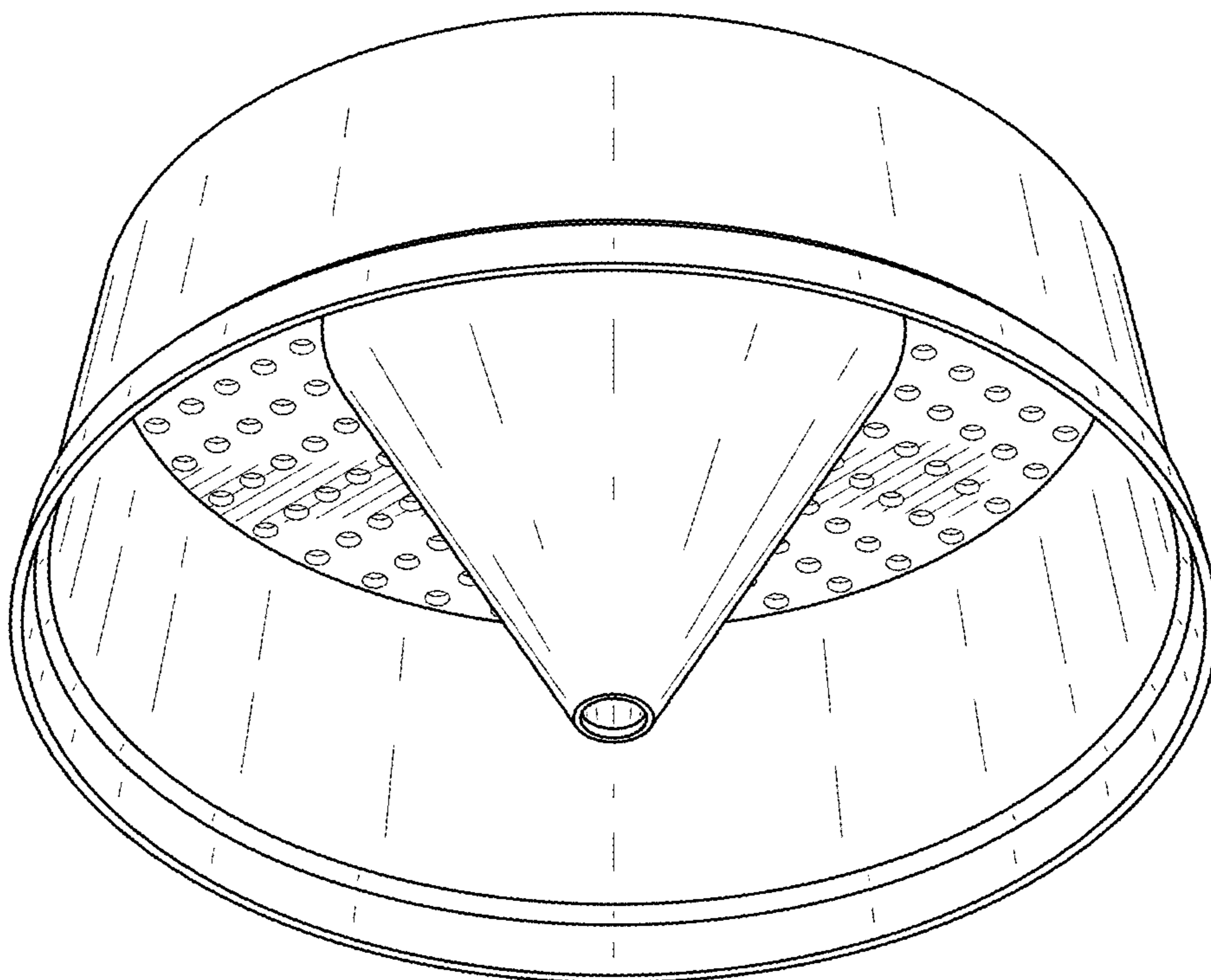


FIG. 2

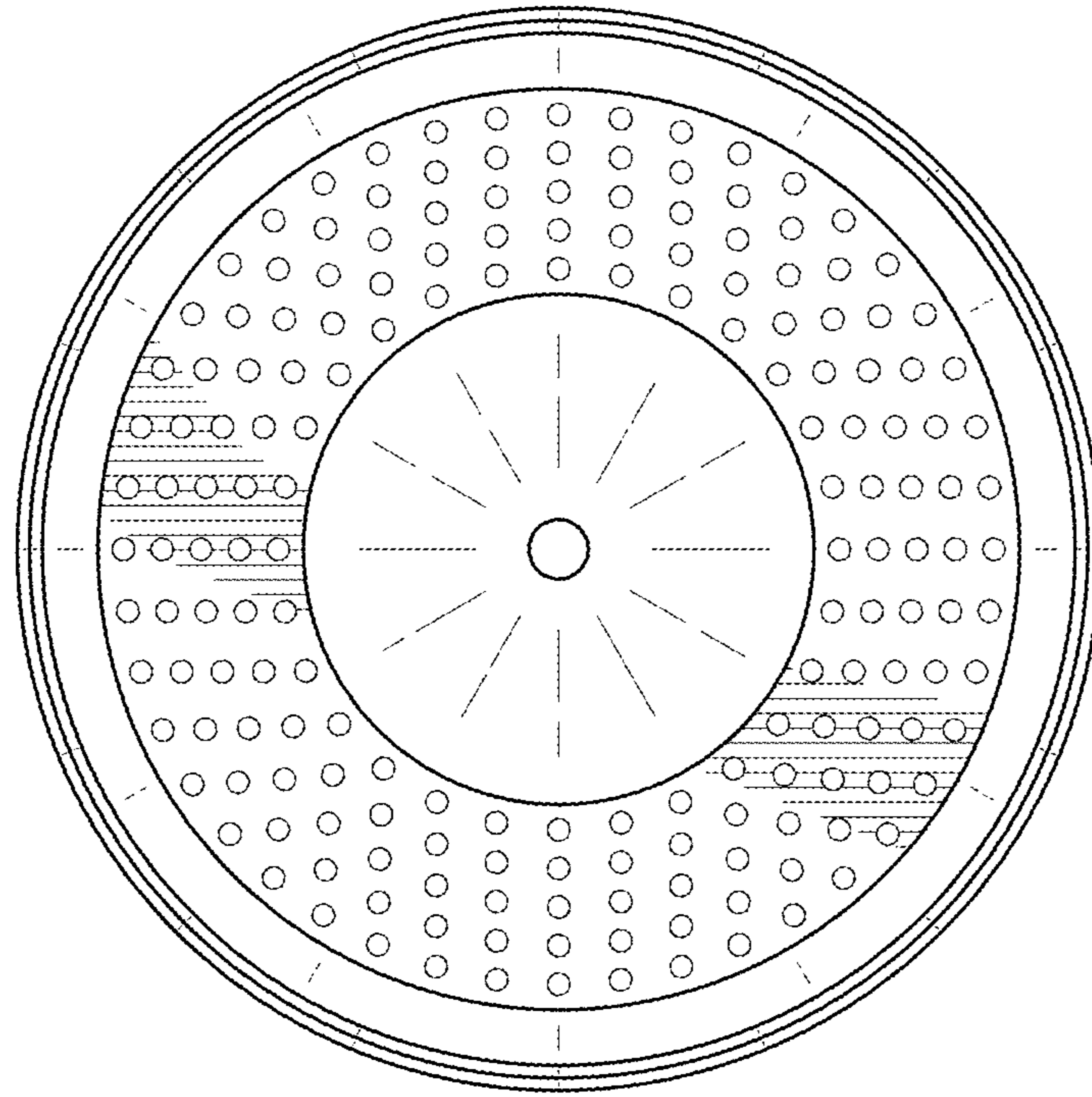


FIG. 3

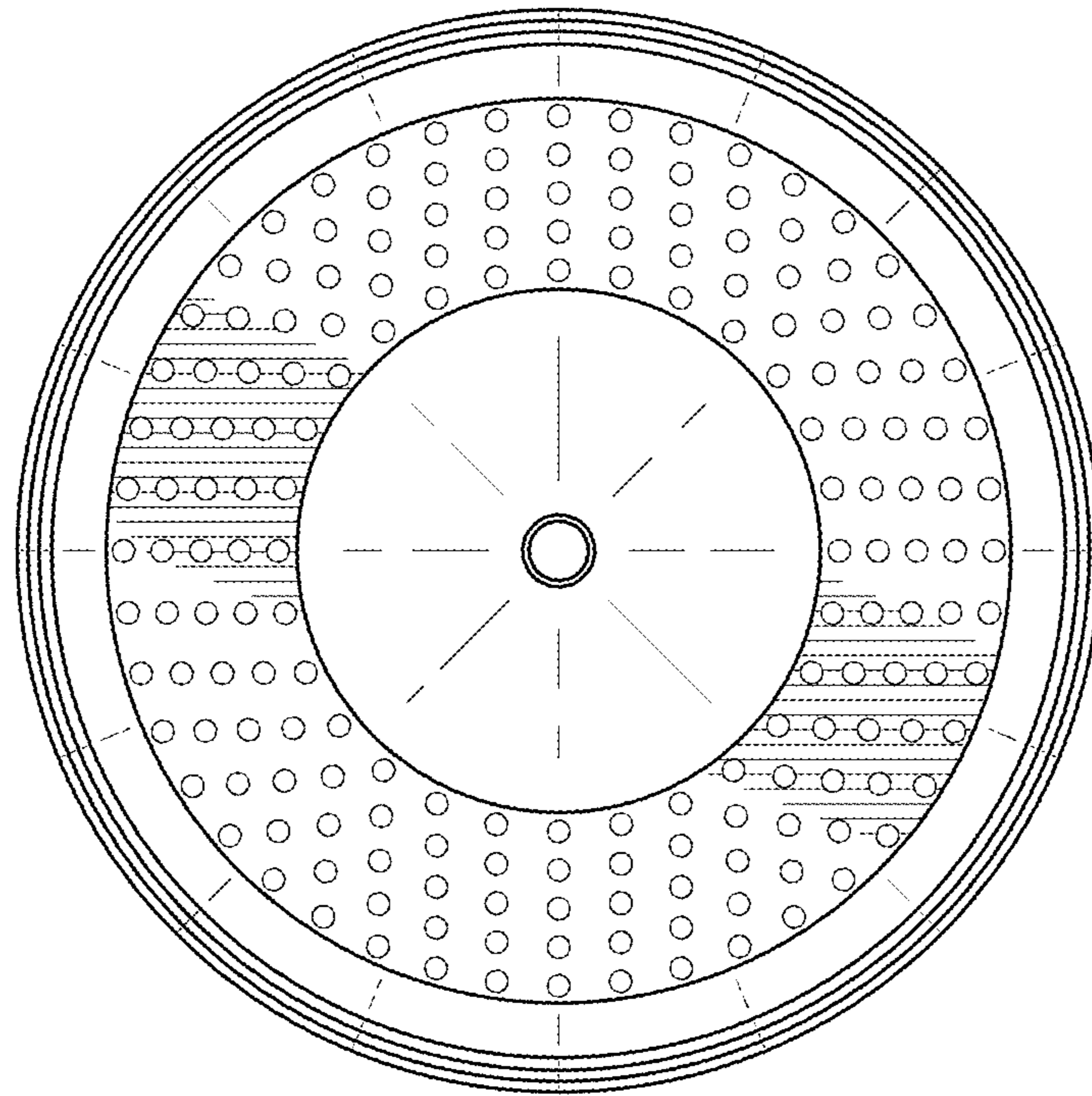


FIG. 4

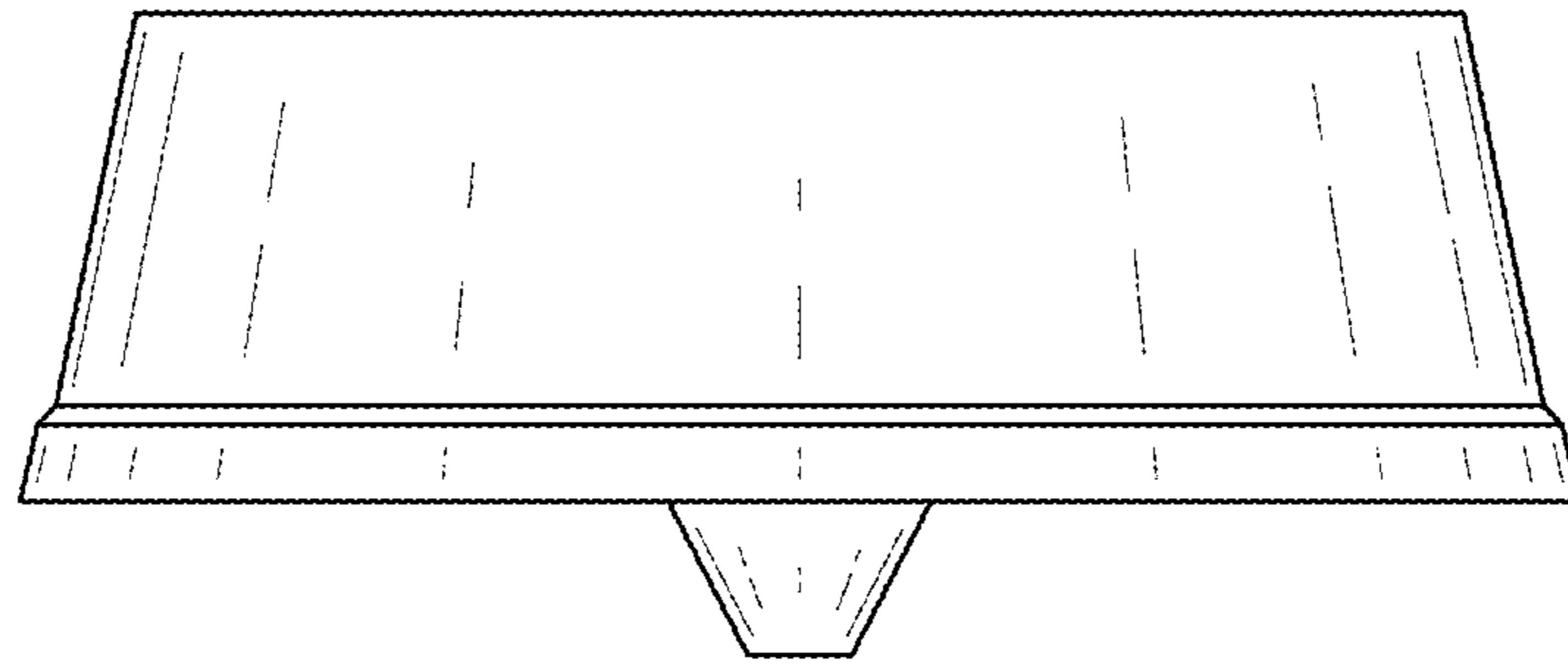


FIG. 5

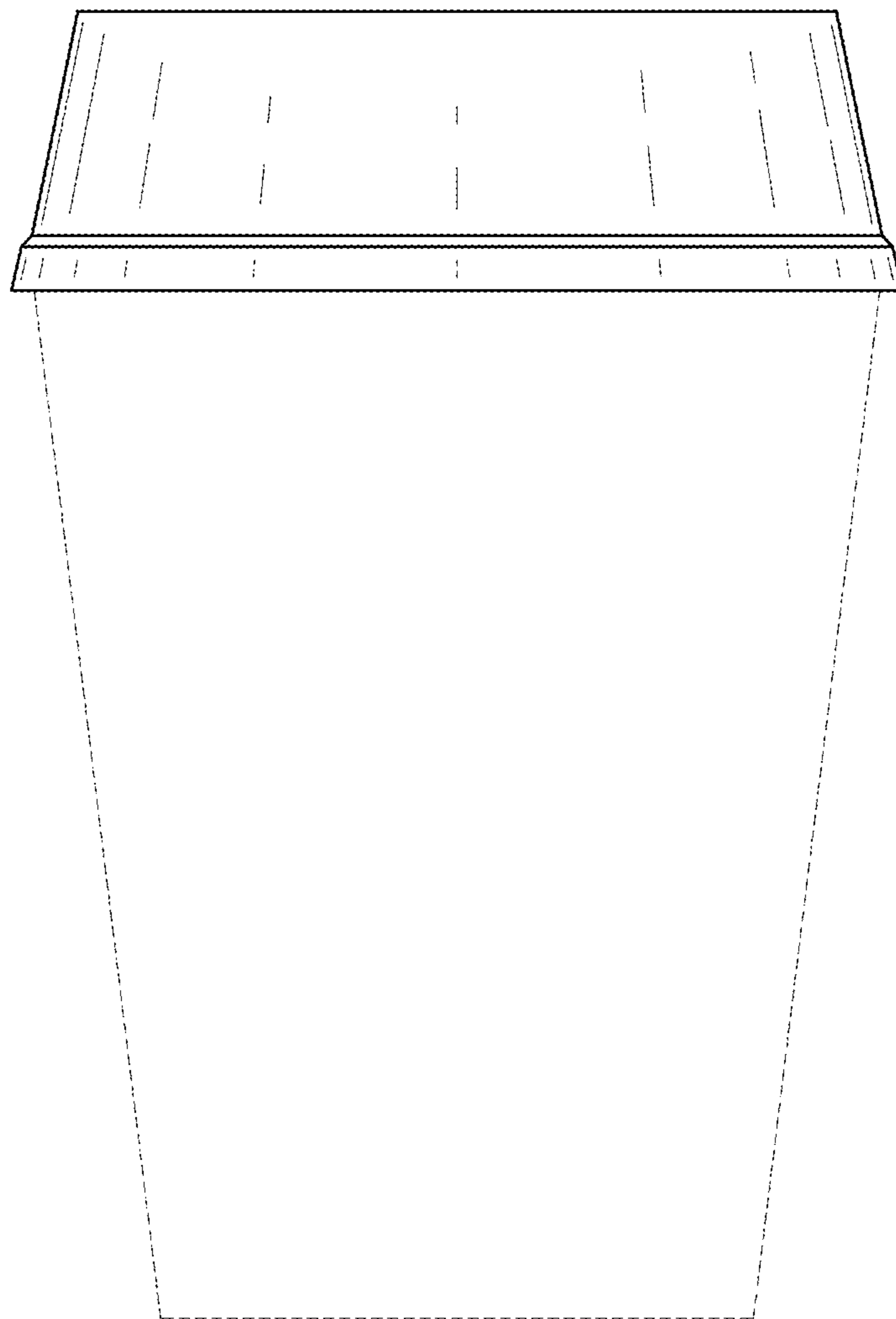


FIG. 6

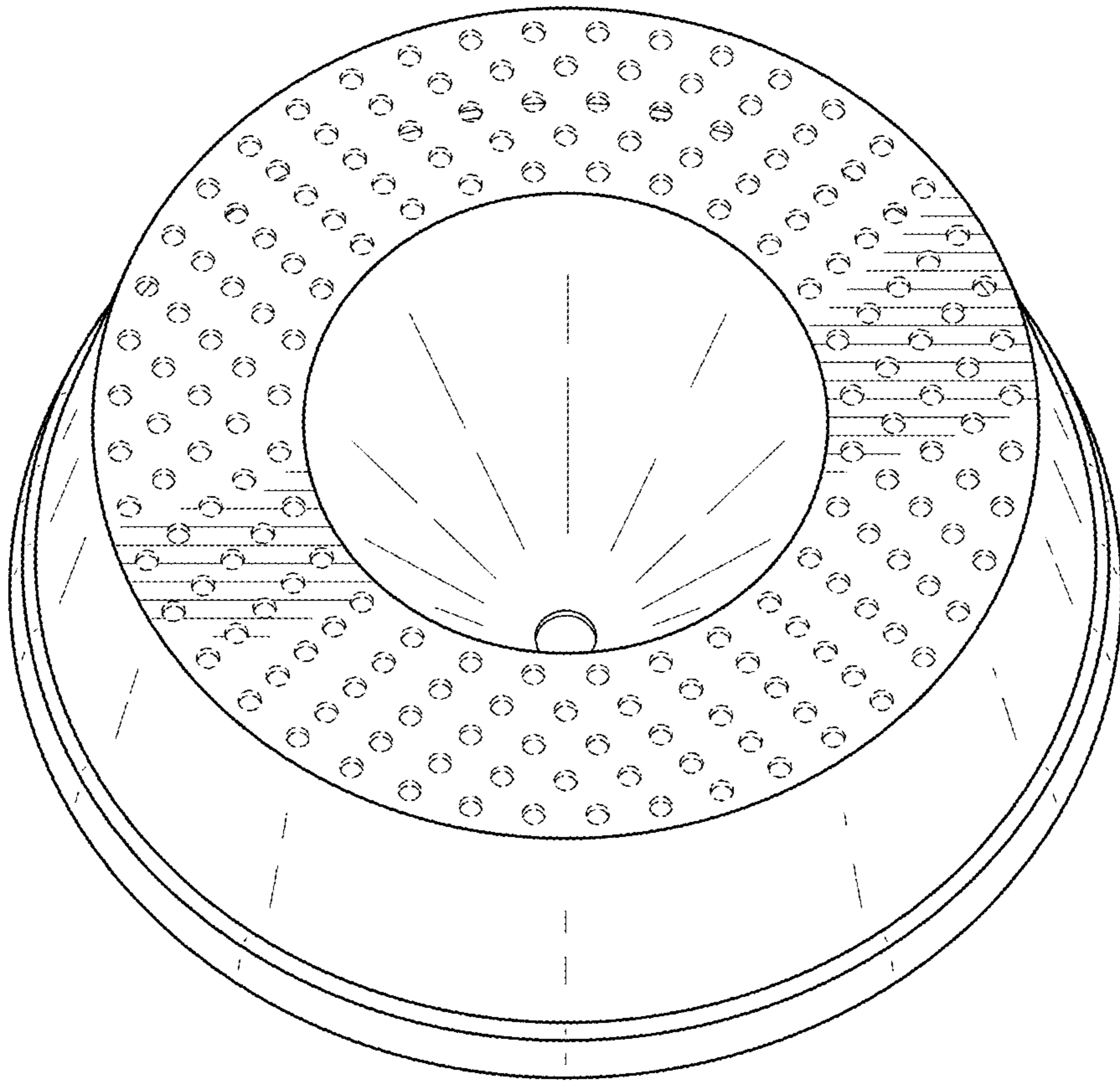


FIG. 7

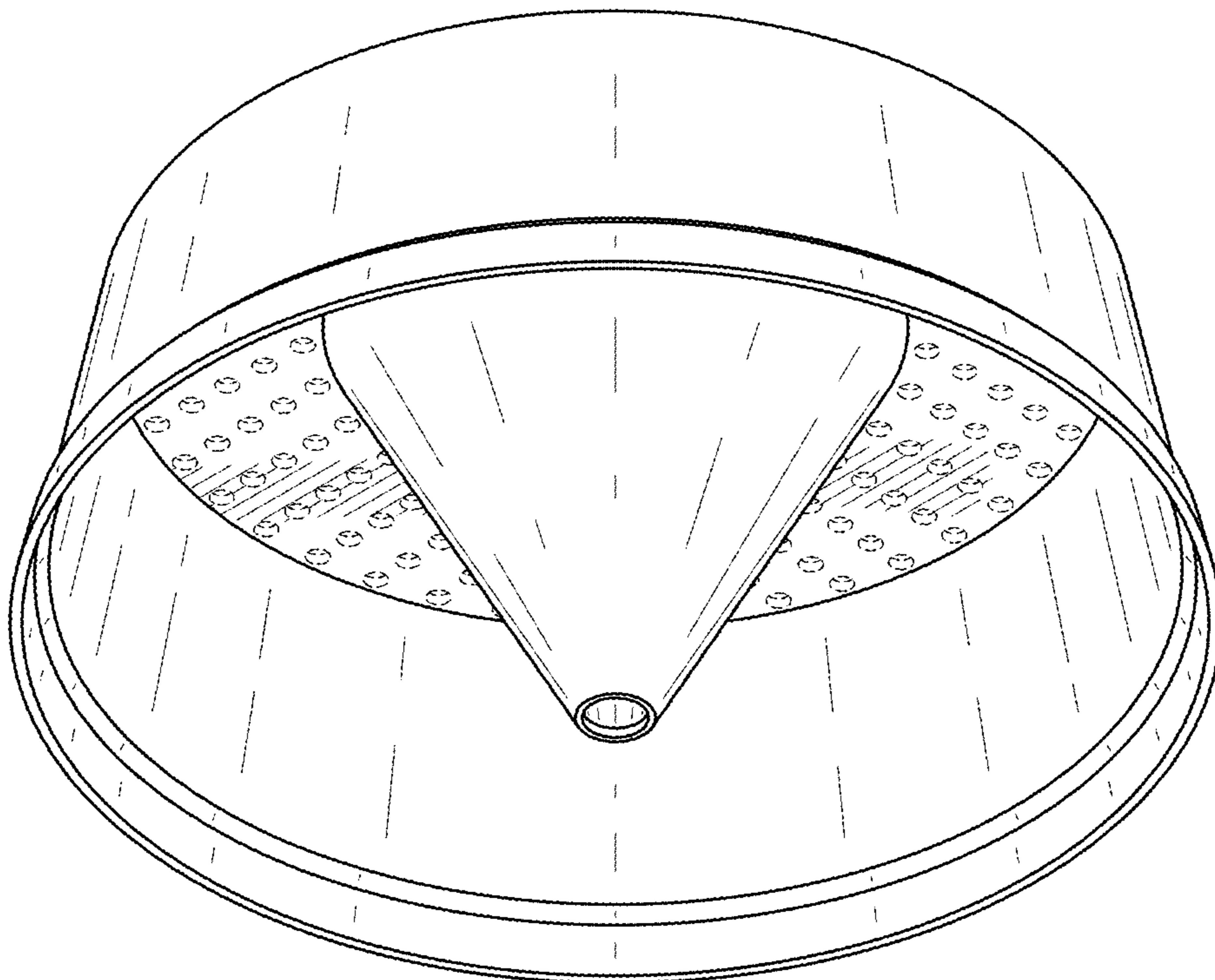


FIG. 8

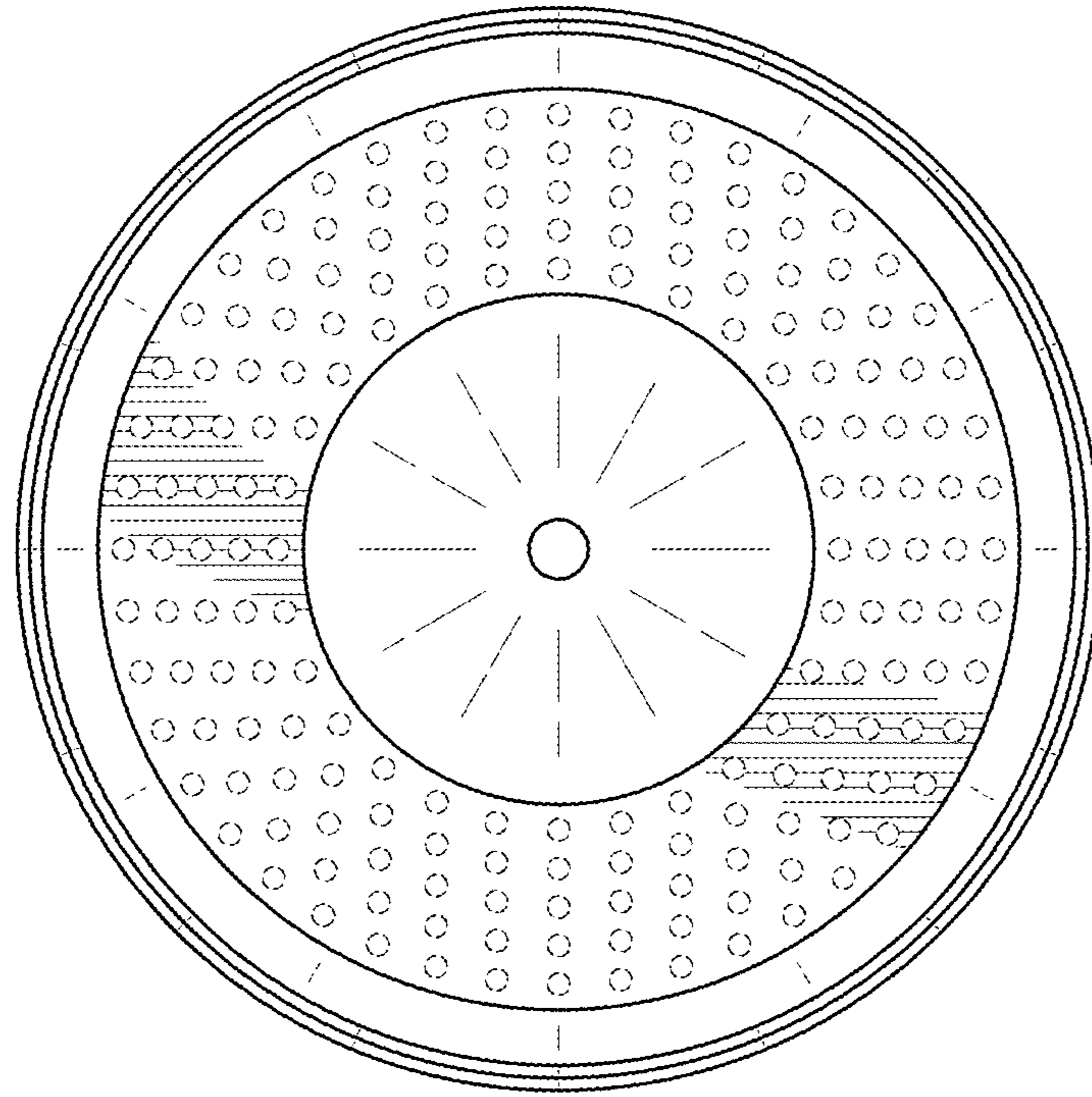


FIG. 9

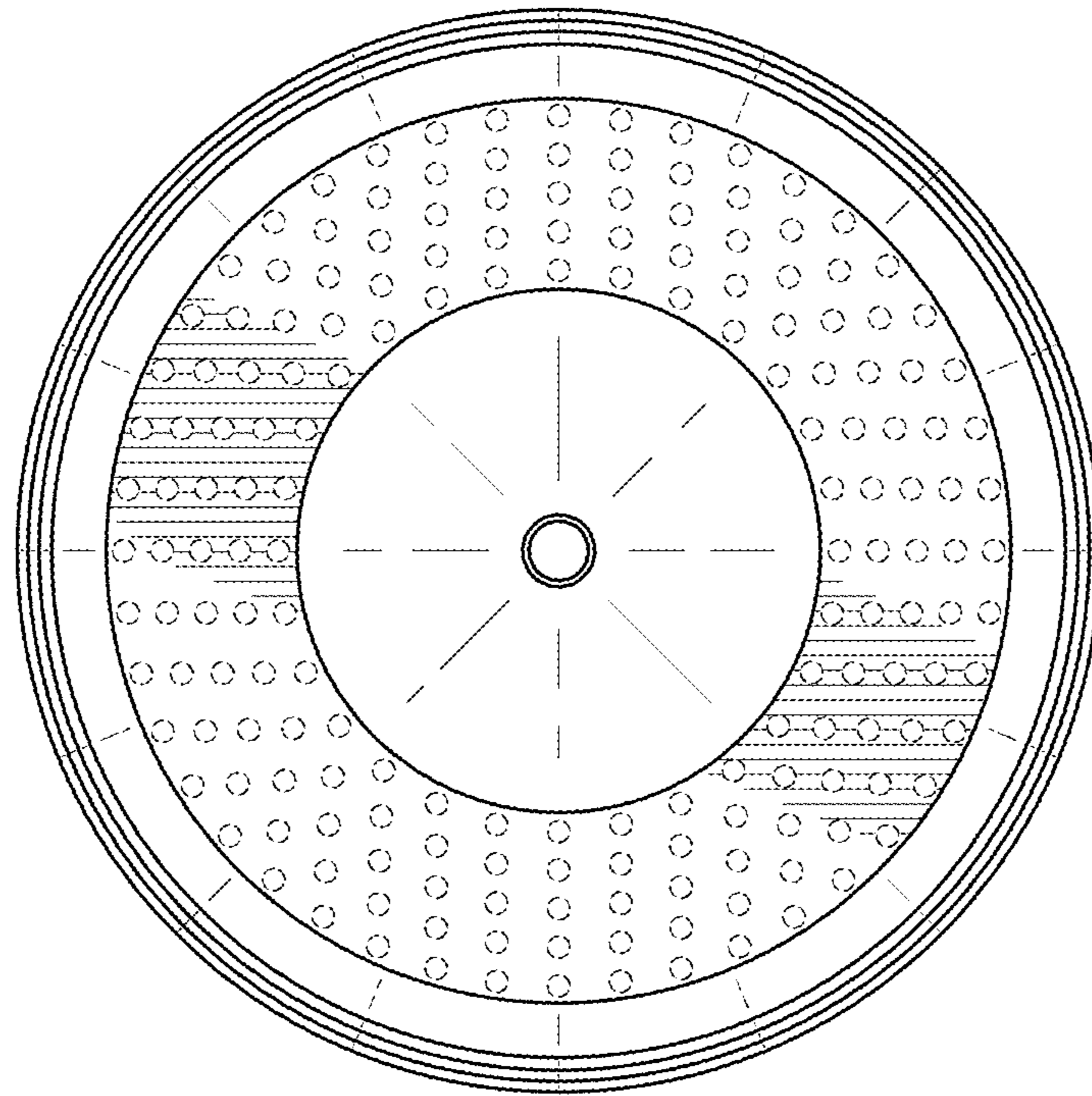


FIG. 10

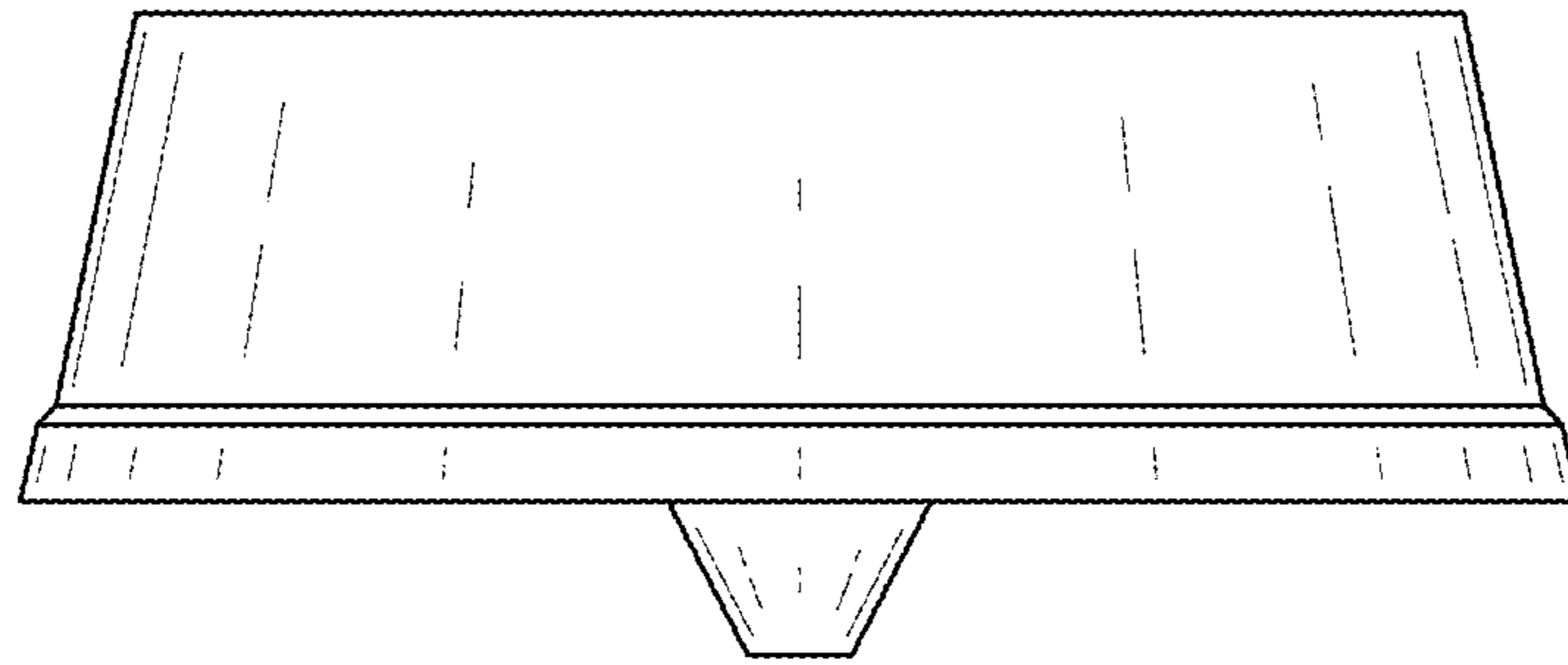


FIG. 11

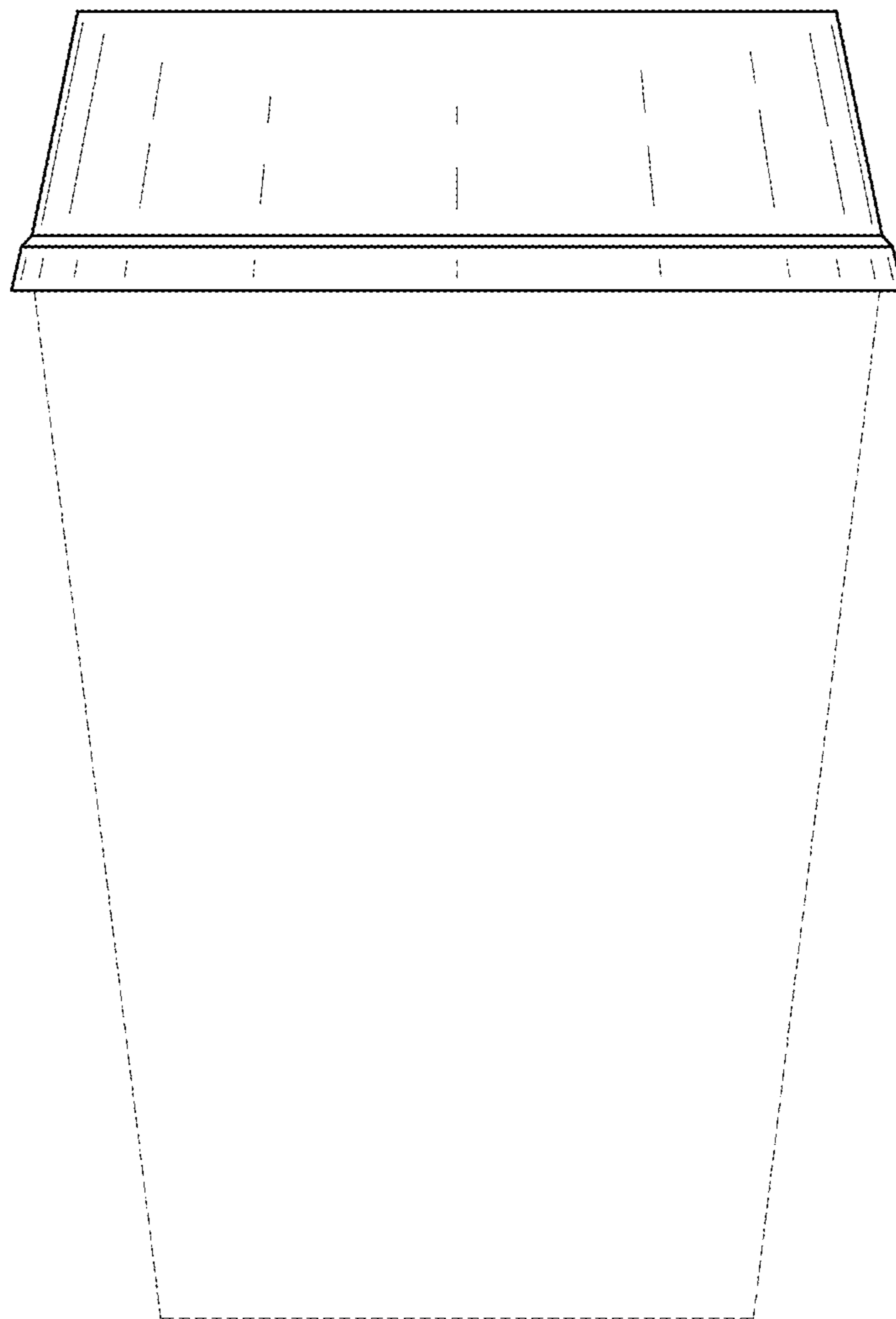


FIG. 12