



US00D888876S

(12) **United States Design Patent**
Zhu

(10) **Patent No.:** **US D888,876 S**

(45) **Date of Patent:** **** Jun. 30, 2020**

- (54) **ULTRASOUND OVAL PEST REPELLER**
- (71) Applicant: **Dongpeng Zhu**, Guangdong (CN)
- (72) Inventor: **Dongpeng Zhu**, Guangdong (CN)
- (73) Assignee: **Shenzhen Lianxing Industry Co., Ltd**,
Shenzhen, Guangdong (CN)

D829,876 S *	10/2018	Arinsmier	D23/366
D836,748 S	12/2018	Gu		
D847,296 S	4/2019	Gu		
D852,312 S *	6/2019	Gu	D22/120
D857,147 S *	8/2019	Gu	D22/120
D860,378 S *	9/2019	Chen	D22/120
D869,598 S *	12/2019	Gu	D22/120
2008/0141578 A1 *	6/2008	Chen	A01M 1/02 43/113

(**) Term: **15 Years**

OTHER PUBLICATIONS

- (21) Appl. No.: **29/719,978**
- (22) Filed: **Jan. 9, 2020**
- (51) **LOC (12) Cl.** **22-06**
- (52) **U.S. Cl.**
USPC **D22/120**
- (58) **Field of Classification Search**
USPC D22/119-124; D23/366-369;
43/111-113, 124, 129, 131, 132.1, 144
CPC A01M 1/04; A01M 1/145; A01M 1/08;
A01M 1/106; A01M 1/026; A01M
1/2011; A01M 29/00; A01M 29/12;
A01M 29/16; A01M 29/34; A01M 29/28;
A01M 31/008; A01M 2200/011; A01M
2200/012; A01N 25/201; A01N 37/44;
A01N 43/16; A01N 49/00
See application file for complete search history.

https://www.amazon.com.au/2019-Upgraded-Ultrasonic-Pest-Device-Repels/dp/B07QKWYDNN/ref=sr_1_2?keywords=Pest+repeller&qid=1578557563&sr=8-2.

https://www.amazon.com.au/Neatmaster-Ultrasonic-Pest-Repeller-Roach%EF%BC%8CSpider/dp/B07R5KBC2B/ref=pd_aw_sbs_86_6/356-4768925-4819639?_encoding=UTF8&pd_rd_i=B07R5KBC2B&pd_rd_r=078a7aed-df5f-4353-959f-a9c59383c5bb&pd_rd_w=bPabZ&pd_rd_wg=uihfw&pf_rd_p=11350a4c-d6c5-4ccd-b3cb-832fd00c2c77&pf_rd_r=NAW6VCDVVY0MD16Q5QMR&psc=1&refRID=NAW6VCDVVY0MD16Q5QMR.

* cited by examiner

Primary Examiner — Catherine R Oliver-Garcia

(57) **CLAIM**

I claim the ornamental design for a ultrasound oval pest repeller, as shown and described.

DESCRIPTION

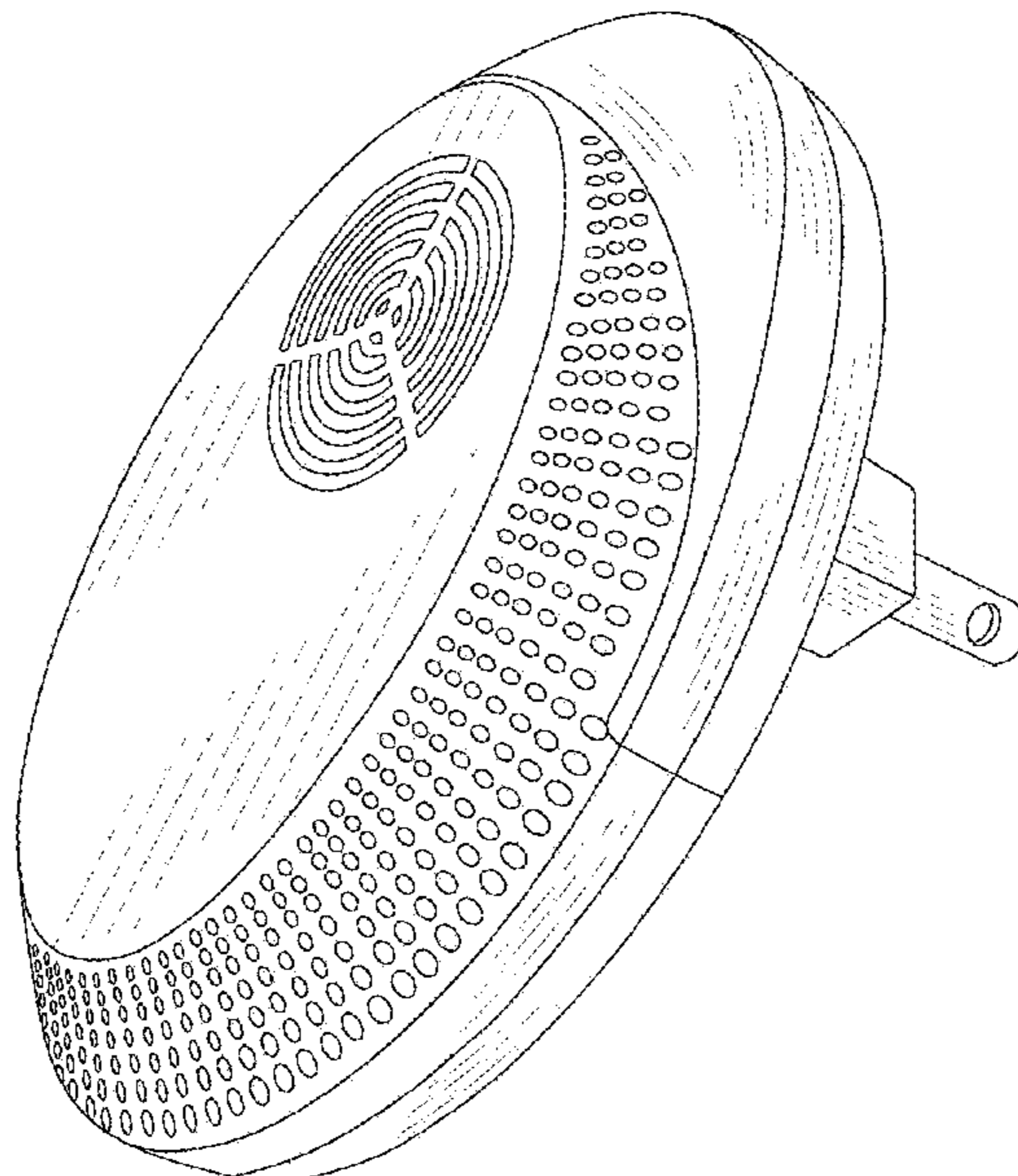
FIG. 1 is a front elevational view of a ultrasound oval pest repeller showing my new design;
FIG. 2 is a rear elevational view thereof;
FIG. 3 is a left side elevational view thereof;
FIG. 4 is a right side elevational view thereof;
FIG. 5 is a top plan view thereof;
FIG. 6 is a bottom plan view thereof; and,
FIG. 7 is a perspective view thereof.

(56) **References Cited**

U.S. PATENT DOCUMENTS

D458,334 S	6/2002	Levine		
D469,149 S	1/2003	Levine		
D638,507 S	5/2011	Feuerstein		
D639,466 S	6/2011	Feuerstein		
D640,808 S	6/2011	Weiser		
D641,897 S	7/2011	Weiser		
D768,836 S *	10/2016	Van Der Starre	D23/367
D820,964 S *	6/2018	Servaire	D23/366
D829,848 S	10/2018	Gu		

1 Claim, 7 Drawing Sheets



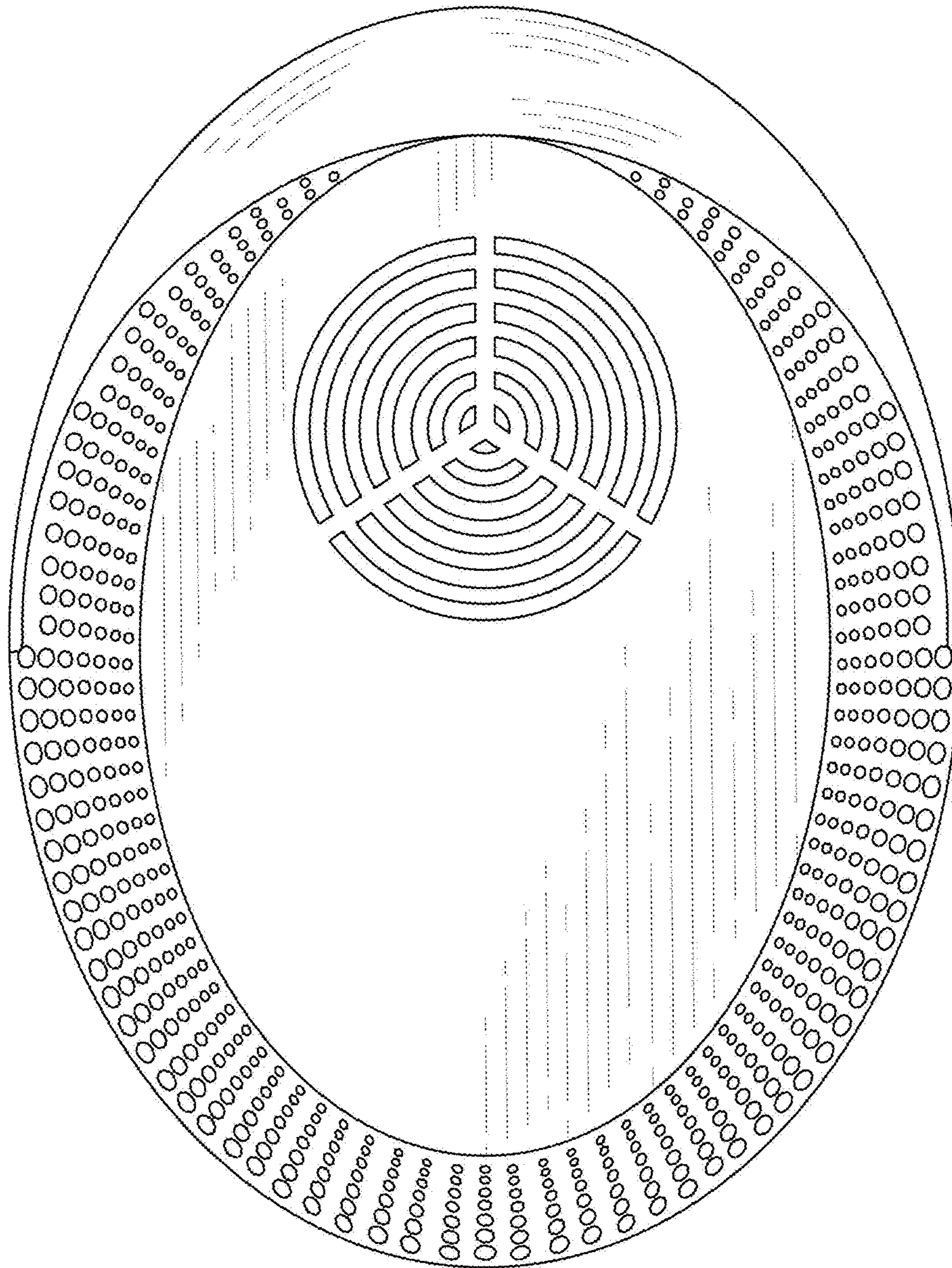


FIG.1

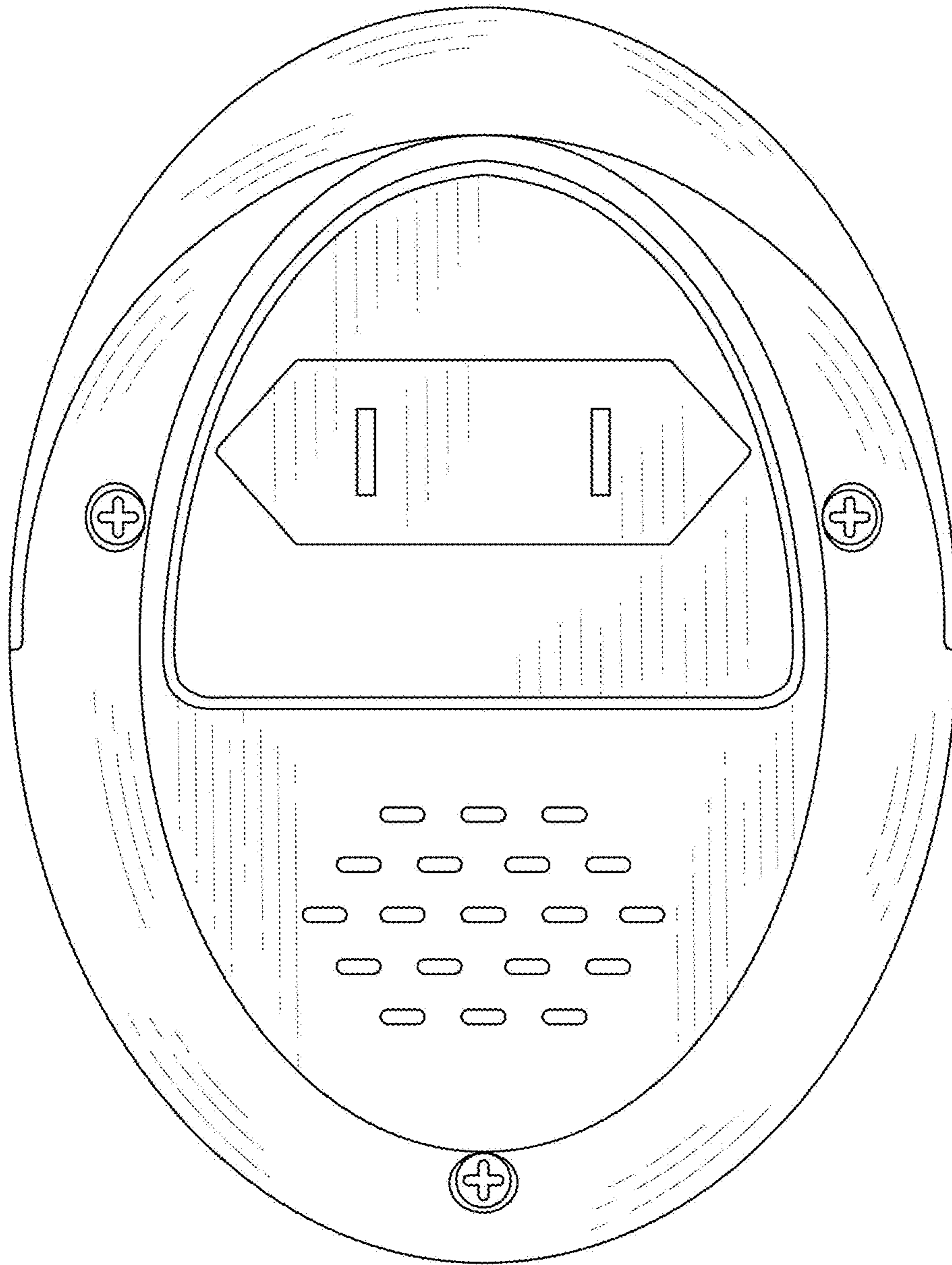


FIG.2

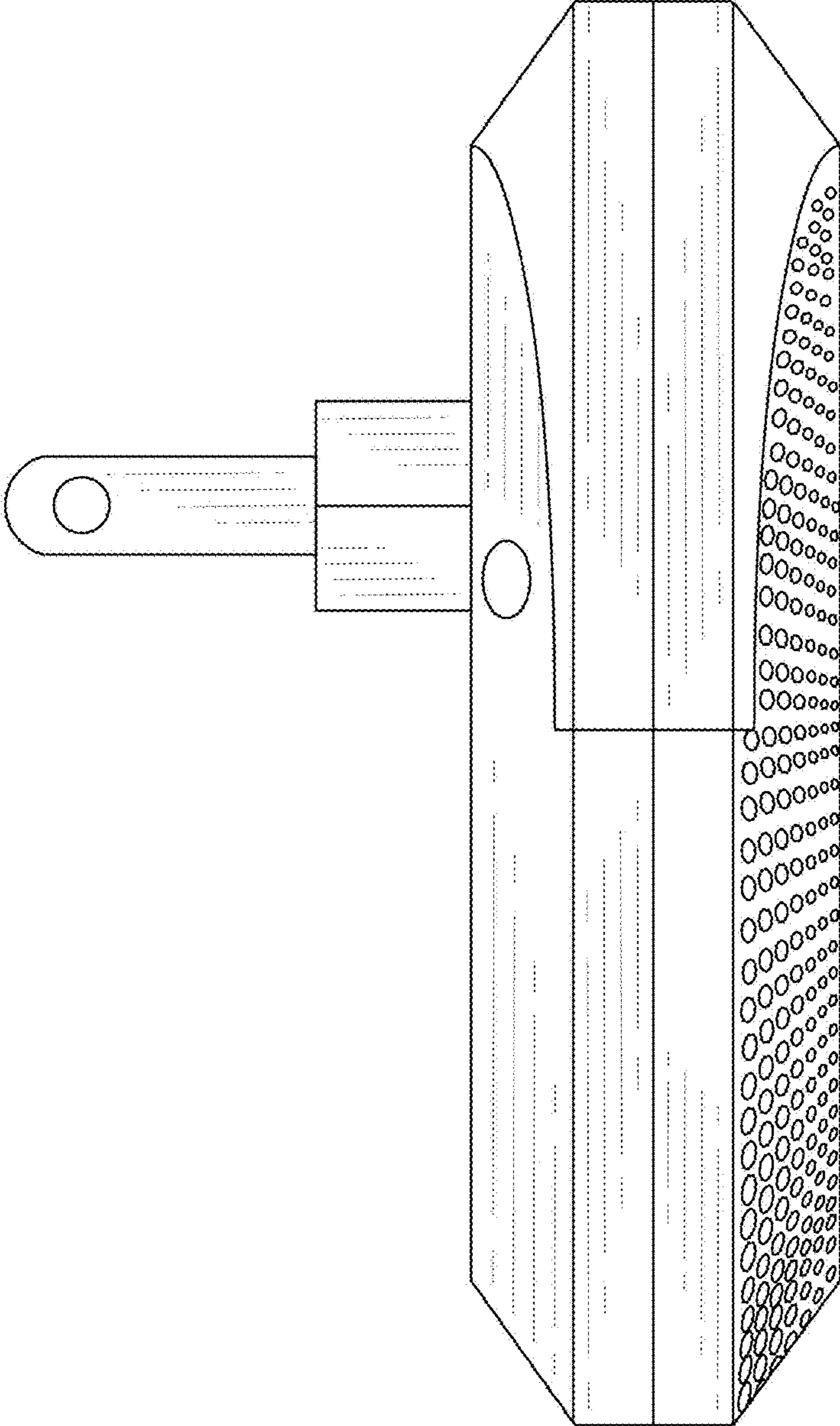


FIG.3

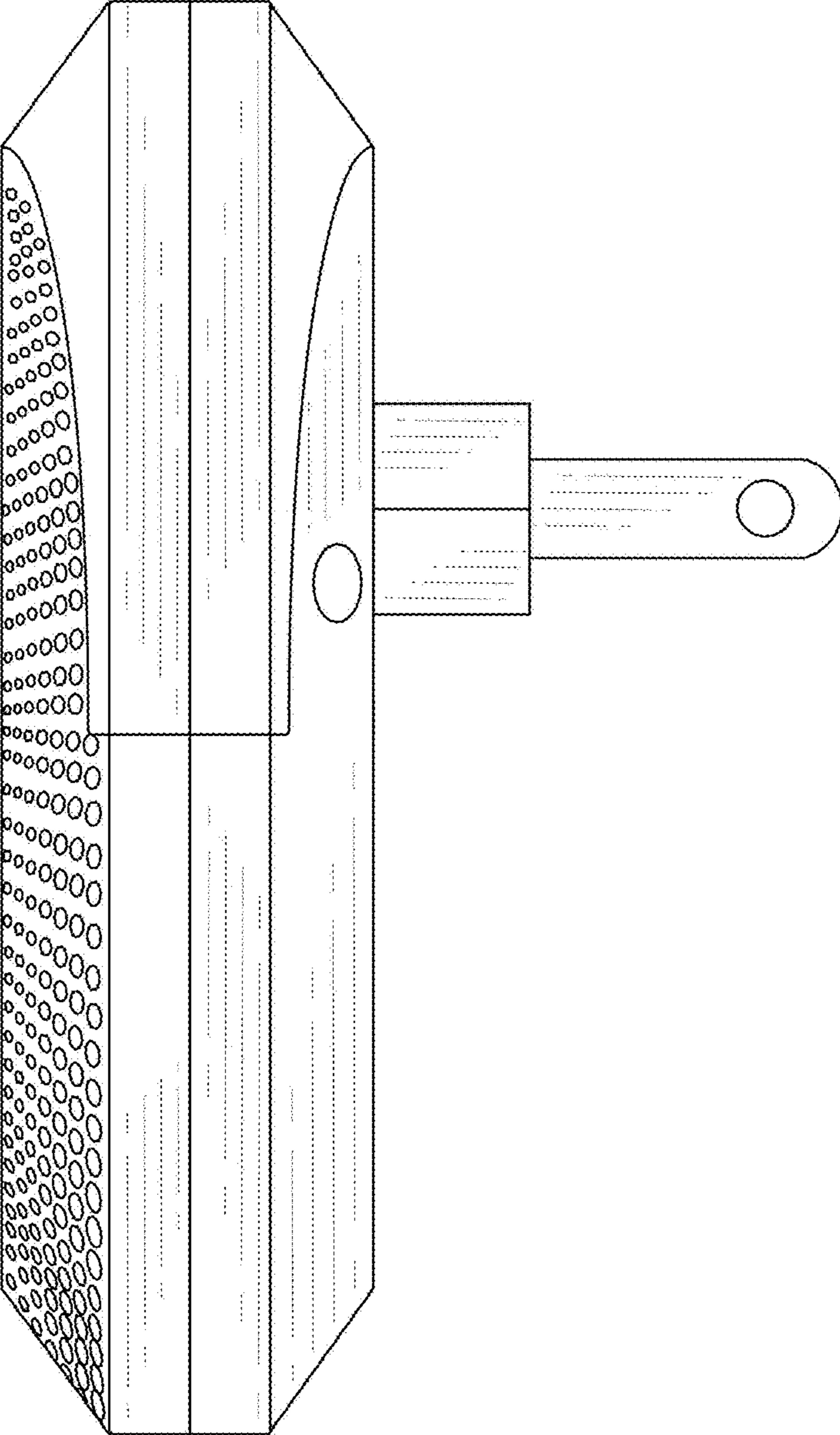


FIG.4

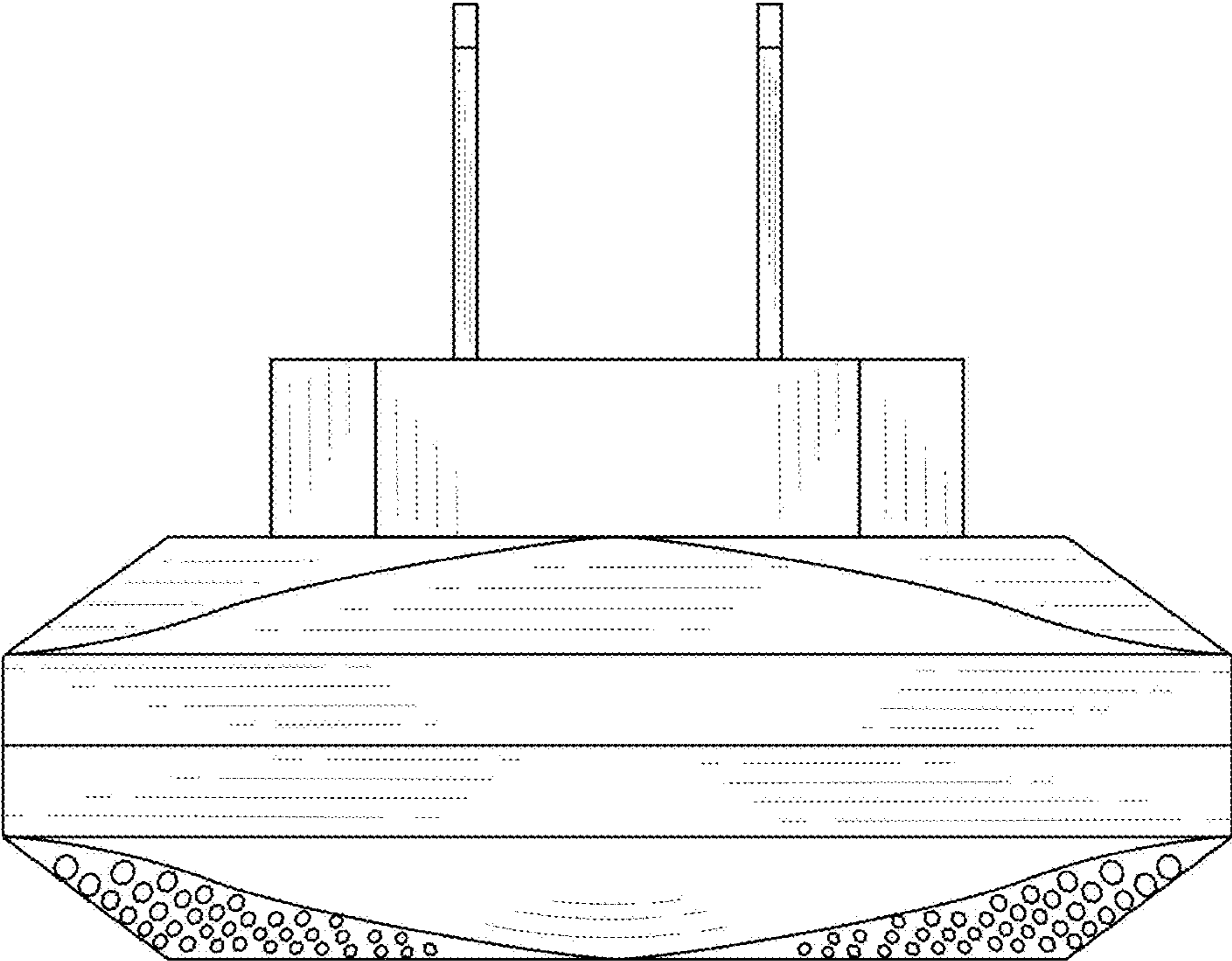


FIG.5

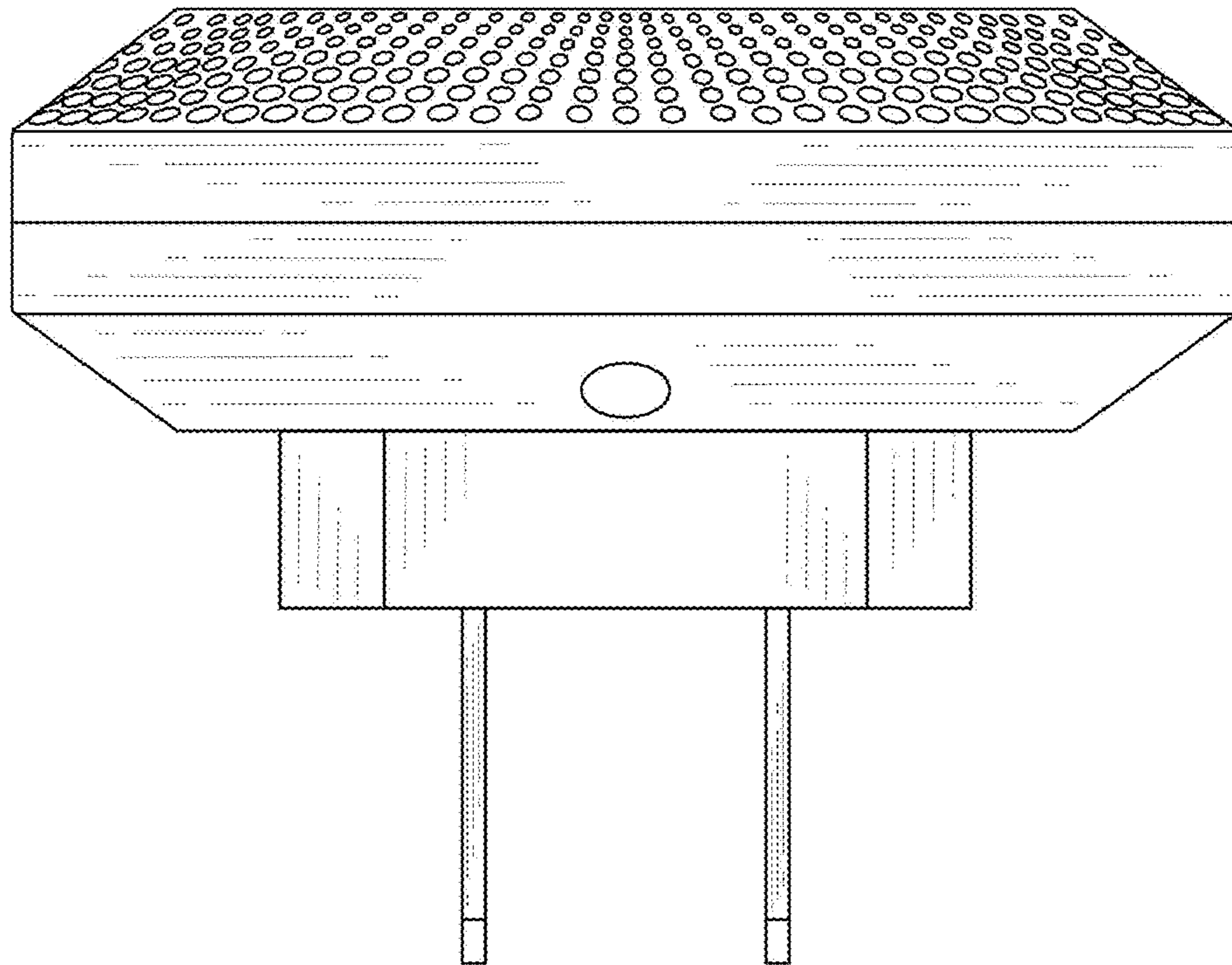


FIG.6

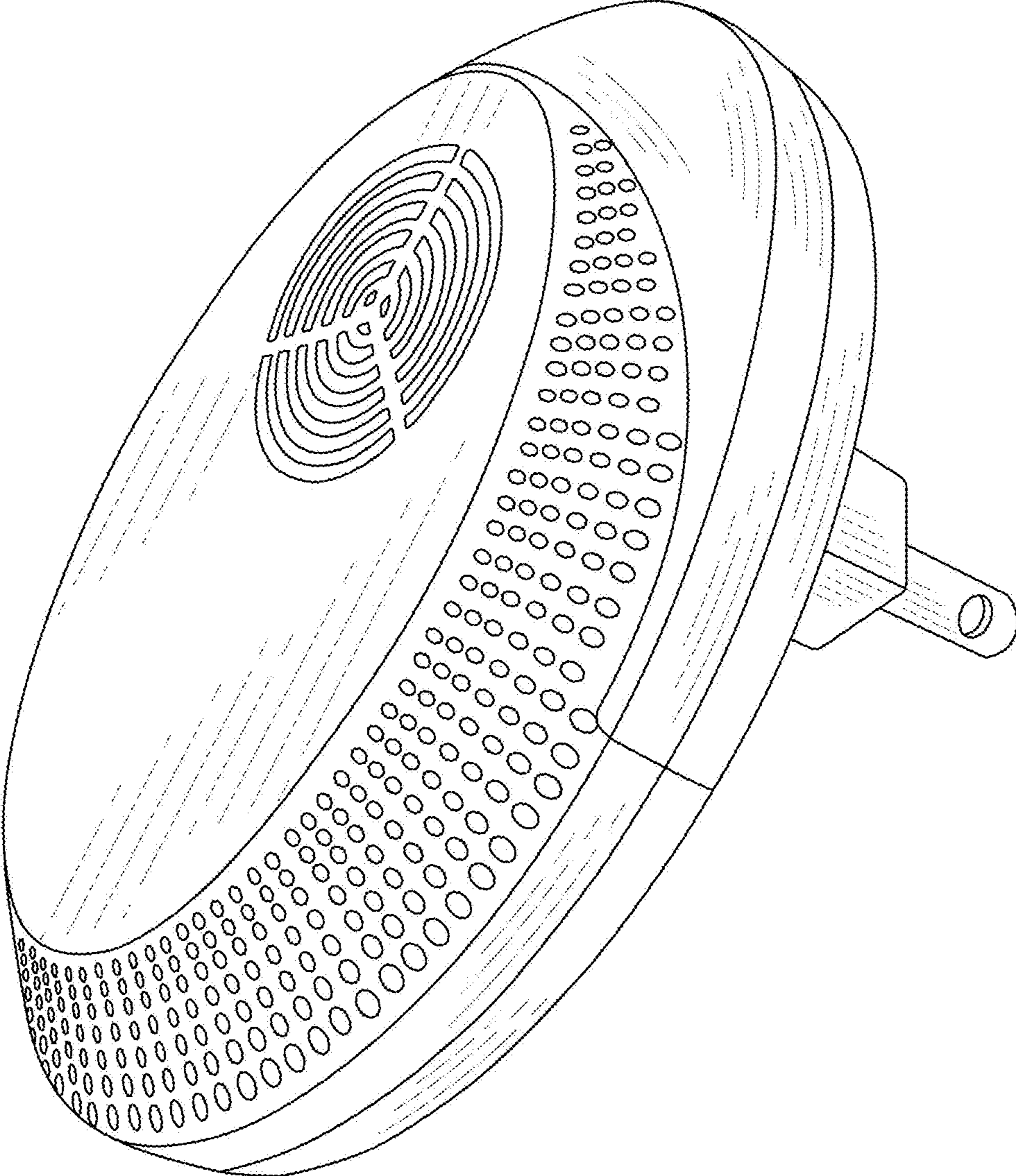


FIG.7