



US00D888875S

(12) **United States Design Patent**
Hamilton et al.

(10) **Patent No.:** **US D888,875 S**
(45) **Date of Patent:** **** Jun. 30, 2020**

(54) **RIFLESCOPE**

(71) Applicant: **Sheltered Wings, Inc.**, Barneveld, WI (US)

(72) Inventors: **David M. Hamilton**, Barneveld, WI (US); **Samuel J. Hamilton**, Barneveld, WI (US)

(73) Assignee: **SHELTERED WINGS, INC.**, Middleton, WI (US)

(**) Term: **15 Years**

(21) Appl. No.: **29/655,756**

(22) Filed: **Jul. 6, 2018**

Related U.S. Application Data

(63) Continuation of application No. 29/530,374, filed on Jun. 16, 2015, now abandoned.

(51) **LOC (12) Cl.** **22-01**

(52) **U.S. Cl.**
USPC **D22/109**

(58) **Field of Classification Search**
USPC D22/108–110, 199; D21/572–575
CPC . F41G 11/003; F41G 1/00; F41G 1/16; F41G 1/345
See application file for complete search history.

(56) **References Cited**

U.S. PATENT DOCUMENTS

D349,510 S	8/1994	Tomita	
D427,275 S *	6/2000	Gilmore	D16/130
D578,599 S *	10/2008	Cheng	D16/130
D616,956 S	6/2010	Hamilton	
D619,190 S	7/2010	Larsson	
D628,323 S	11/2010	Matthews et al.	
D631,121 S *	1/2011	Cheng	D22/108
D679,775 S	4/2013	Cheng	

D709,158 S	7/2014	Wells
D717,390 S	11/2014	Rogers et al.
D728,062 S	4/2015	Hamilton et al.
D732,134 S	6/2015	Wells
D732,137 S	6/2015	Hamilton et al.
D741,446 S	10/2015	Cheng et al.
9,243,870 B2	1/2016	Teetzel et al.
D750,685 S	3/2016	Santos
D752,701 S	3/2016	Bengtsson
D757,886 S	5/2016	Cheng et al.

(Continued)

OTHER PUBLICATIONS

CN-303059908, posted at Orbit, publication date Dec. 31, 2014. Site visited Jan. 4, 2019. Available from Internet. (Year: 2014).*

(Continued)

Primary Examiner — Kevin K Rudzinski

Assistant Examiner — Kathleen L Jones

(74) *Attorney, Agent, or Firm* — Husch Blackwell LLP

(57) **CLAIM**

We claim the ornamental design for a riflescope, as shown and described.

DESCRIPTION

FIG. 1 is a side perspective view of a riflescope showing our new design.

FIG. 2 is a front elevation view of the riflescope of FIG. 1;

FIG. 3 is rear elevation view of the riflescope of FIG. 1;

FIG. 4 is a right side elevation view of the riflescope of FIG. 1;

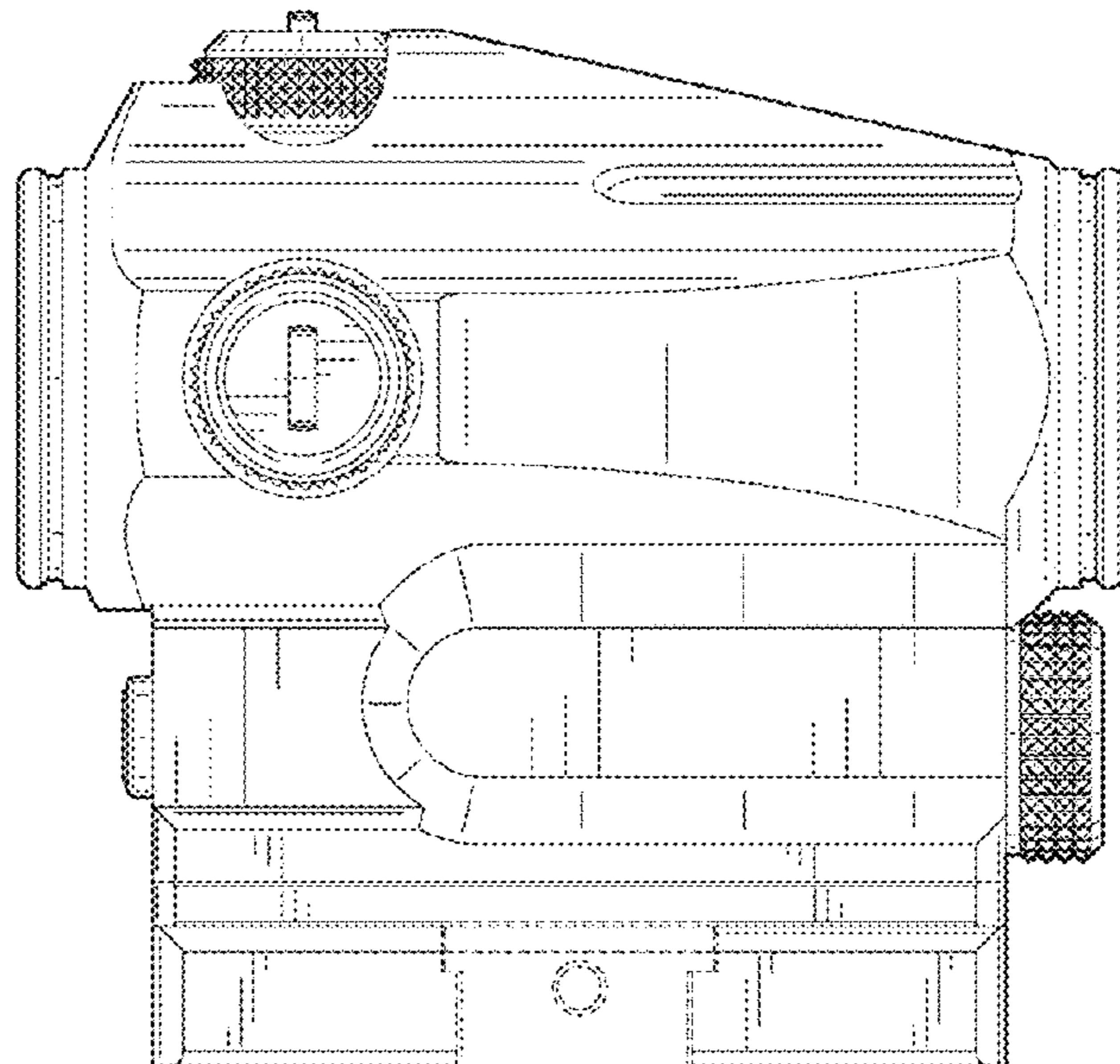
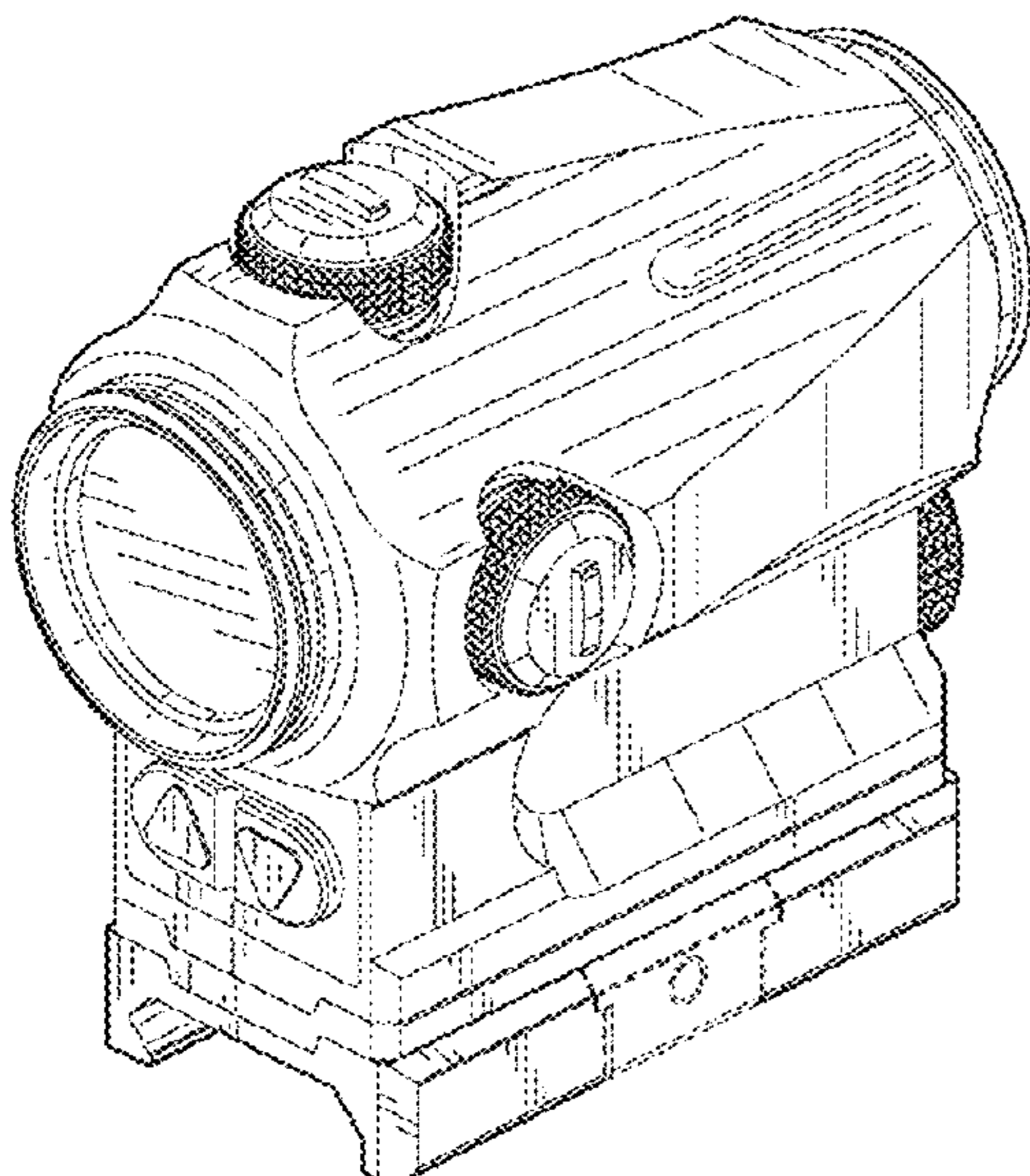
FIG. 5 is a left side elevation view of the riflescope of FIG. 1;

FIG. 6 is a top view of the riflescope of FIG. 1; and,

FIG. 7 is a bottom view of the riflescope of FIG. 1.

The broken lines in FIGS. 1, 2, 4, 5, and 7 show portions of the riflescope that form no part of the claimed design.

1 Claim, 7 Drawing Sheets



(56)

References Cited

U.S. PATENT DOCUMENTS

D764,006 S 8/2016 Horton
 D764,007 S 8/2016 Horton
 D765,212 S * 8/2016 Cheng et al.
 9,476,676 B1 10/2016 Greenslade
 RE46,226 E * 12/2016 Gambino D22/109
 D774,157 S * 12/2016 Koesler D22/109
 D774,158 S * 12/2016 Cheng D22/109
 D781,990 S * 3/2017 Cheng D22/109
 D783,116 S * 4/2017 Cheng D22/109
 D787,627 S * 5/2017 Horton D22/109
 D795,989 S * 8/2017 Horton D22/109
 D806,820 S * 1/2018 Larsson D22/109
 D819,160 S * 5/2018 Hamilton D22/109
 D846,691 S * 4/2019 Cheng D22/109
 10,365,069 B1 * 7/2019 Tayon F41G 1/35
 D856,458 S * 8/2019 Cheng D22/109
 10,514,233 B2 * 12/2019 Sun H02S 10/40
 2010/0162611 A1 * 7/2010 Samson F41G 1/18
 42/125
 2016/0327371 A1 11/2016 Teetzel
 2017/0038177 A1 2/2017 Sun

2017/0363387 A1* 12/2017 Sun F41G 1/35
 2019/0011225 A1* 1/2019 Sun F41G 1/545
 2019/0301835 A1* 10/2019 Tayon F41G 1/35

OTHER PUBLICATIONS

Gomez, Thomas, Scope Review: Lucid M7 Sight, posted at the Firearm Blog, posting date Aug. 8, 2014. Site visited Jan. 3, 2019. URL: <<https://www.thefirearmblog.com/blog/2014/08/08/scope-review-lucid-m7-sight/>> (Year: 2014).*

Vortex Sparc AR Red Dot Scope, posted at Toms Tactical, review posted Apr. 24, 2017. Site visited Jan. 3, 2019. URL: <<http://www.tomstactical.com/vortex-sparc-ar-red-dot-sight-magpul-mbus-rear-sight-combo>> (Year: 2017).*

Aimpoint Micro T-2 Red Dot Sight w/ Free S&H, posted at Optics Planet, review posting date Jan. 28, 2015 [online], [site visited Dec. 23, 2016]. Available from Internet, <URL: <http://www.opticsplanet.com/aimpoint-micro-t-2-red-dot-sight-200170.html>>.

Aimpoint Pro Patrol Rifle Optic Red Dot Rifle Scope, posted at Optics Planet, review posting date Dec. 29, 2012. [online], [site visited Dec. 23, 2016]. Available from Internet, <URL: <http://www.opticsplanet.com/aimpoint-pro-patrol-rifle-optic-red-dot-riflescope-30mm.html>>.

* cited by examiner

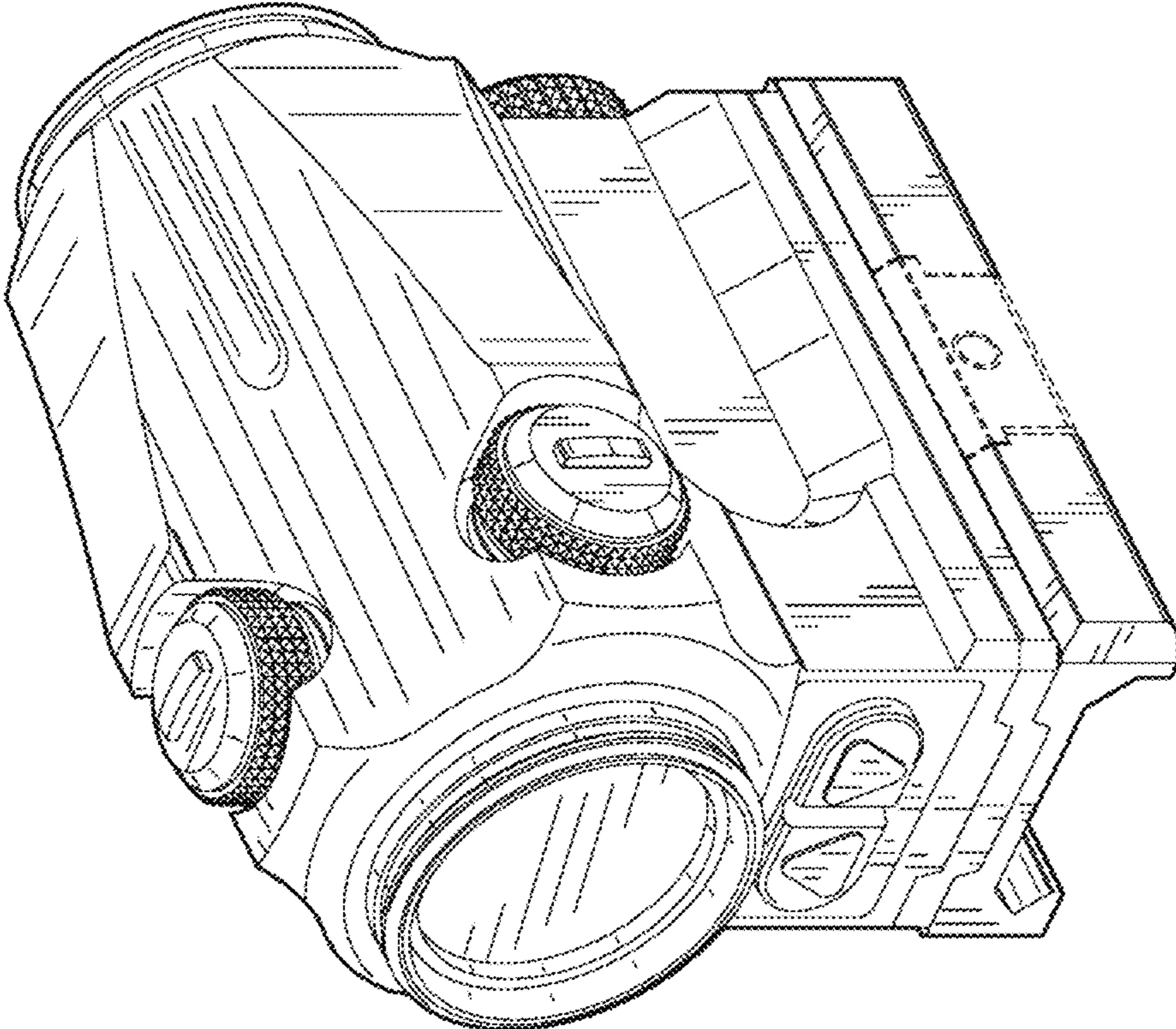


FIG. 1

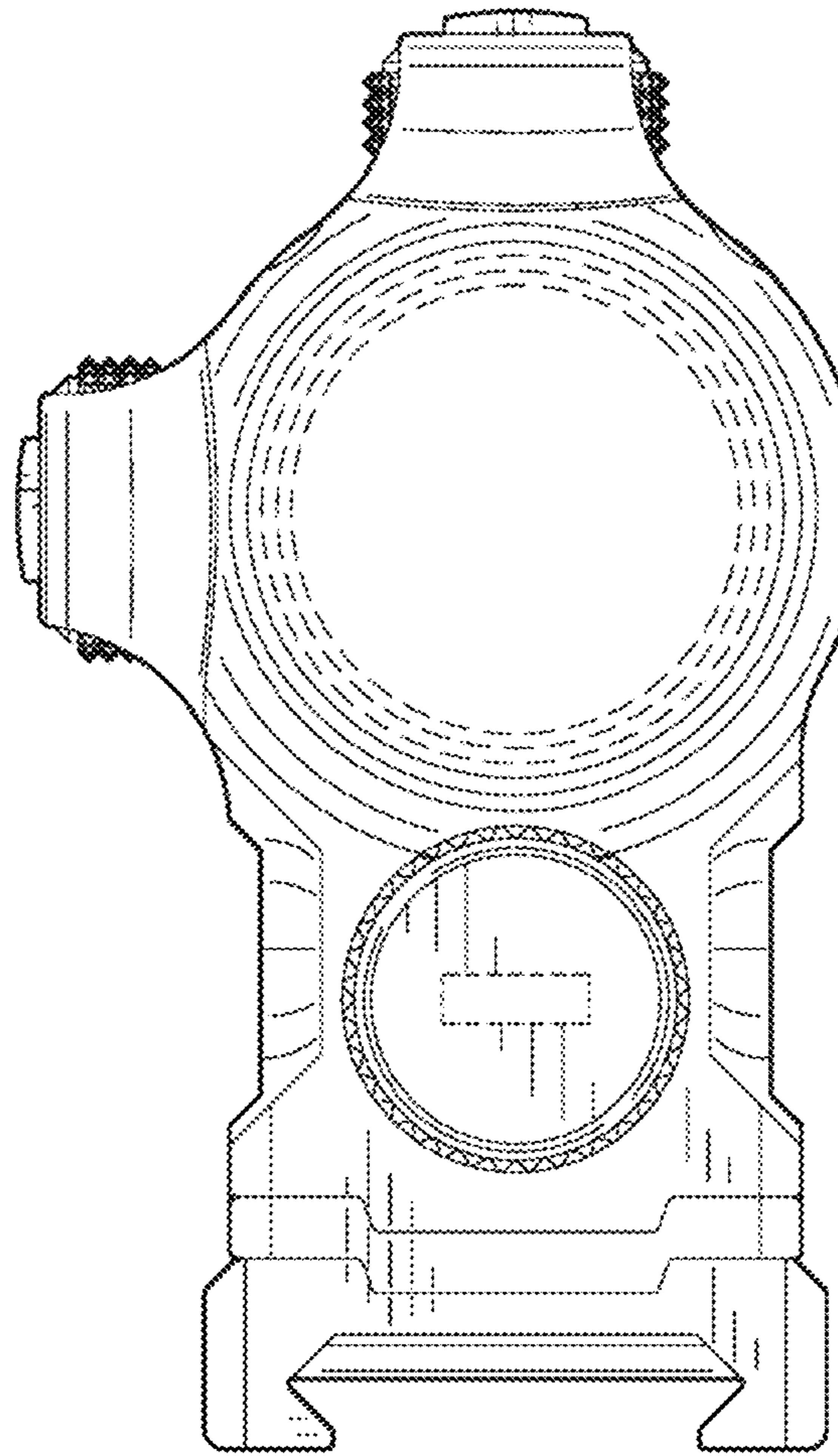


FIG. 2

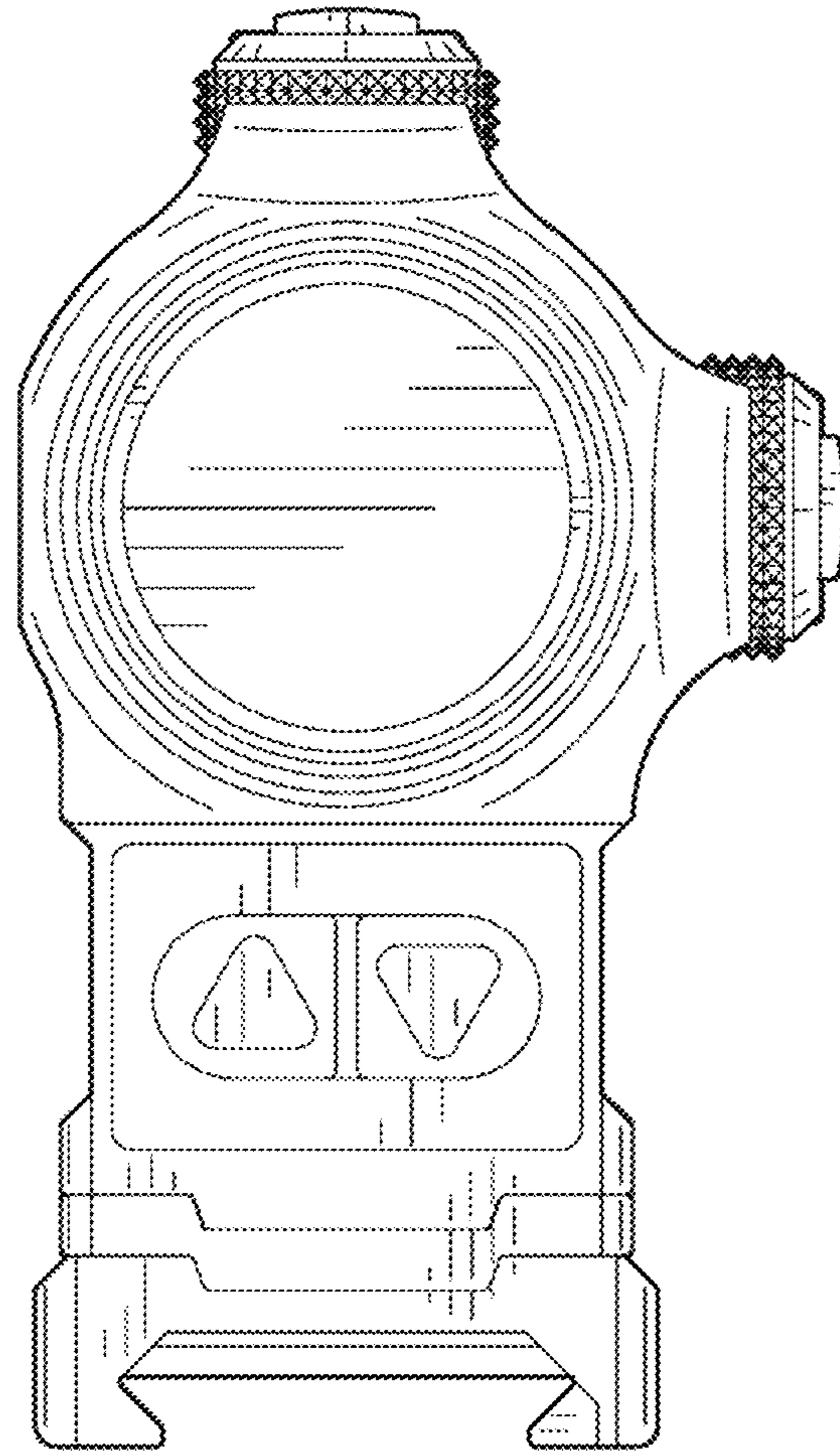


FIG. 3

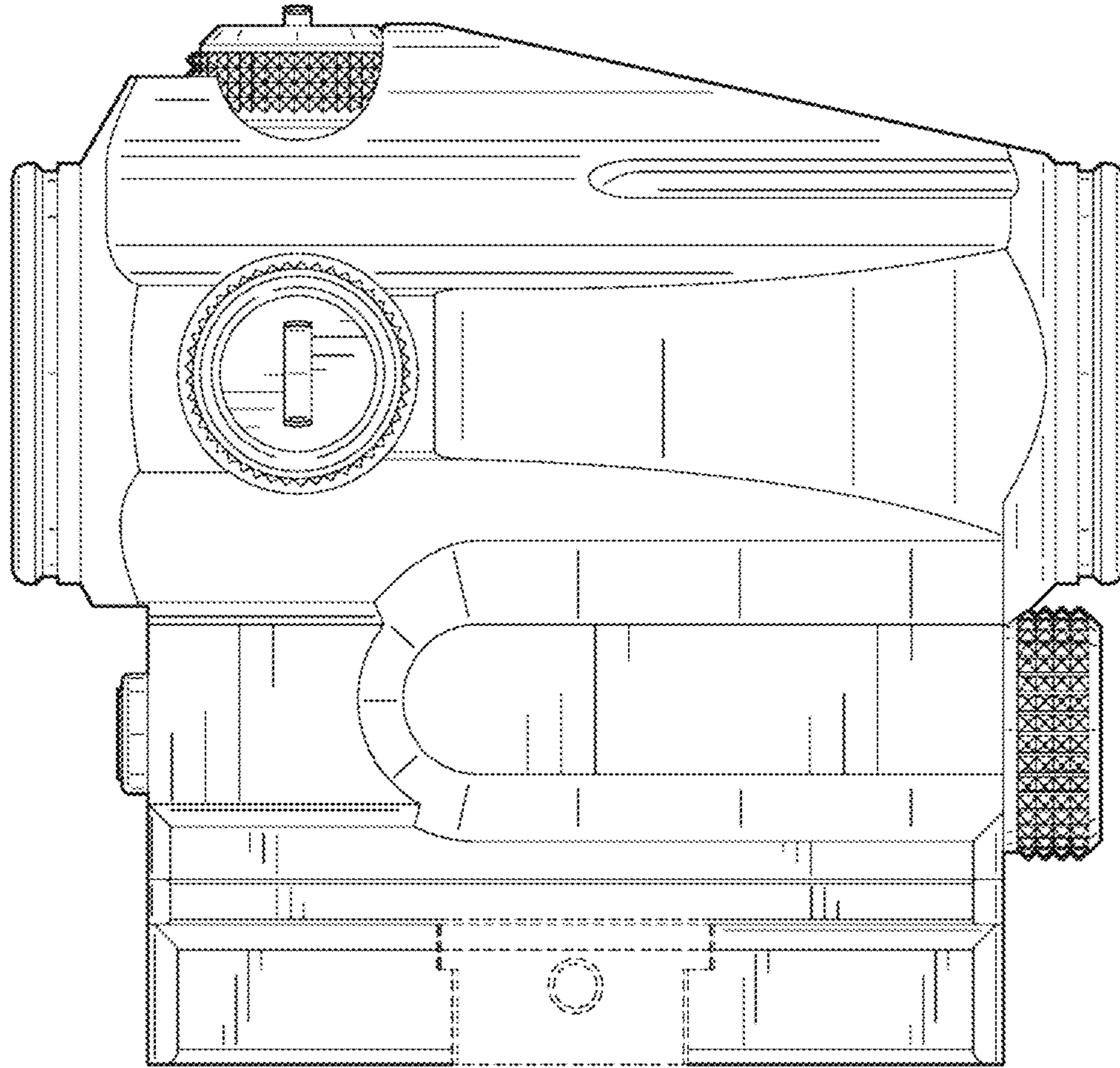


FIG. 4

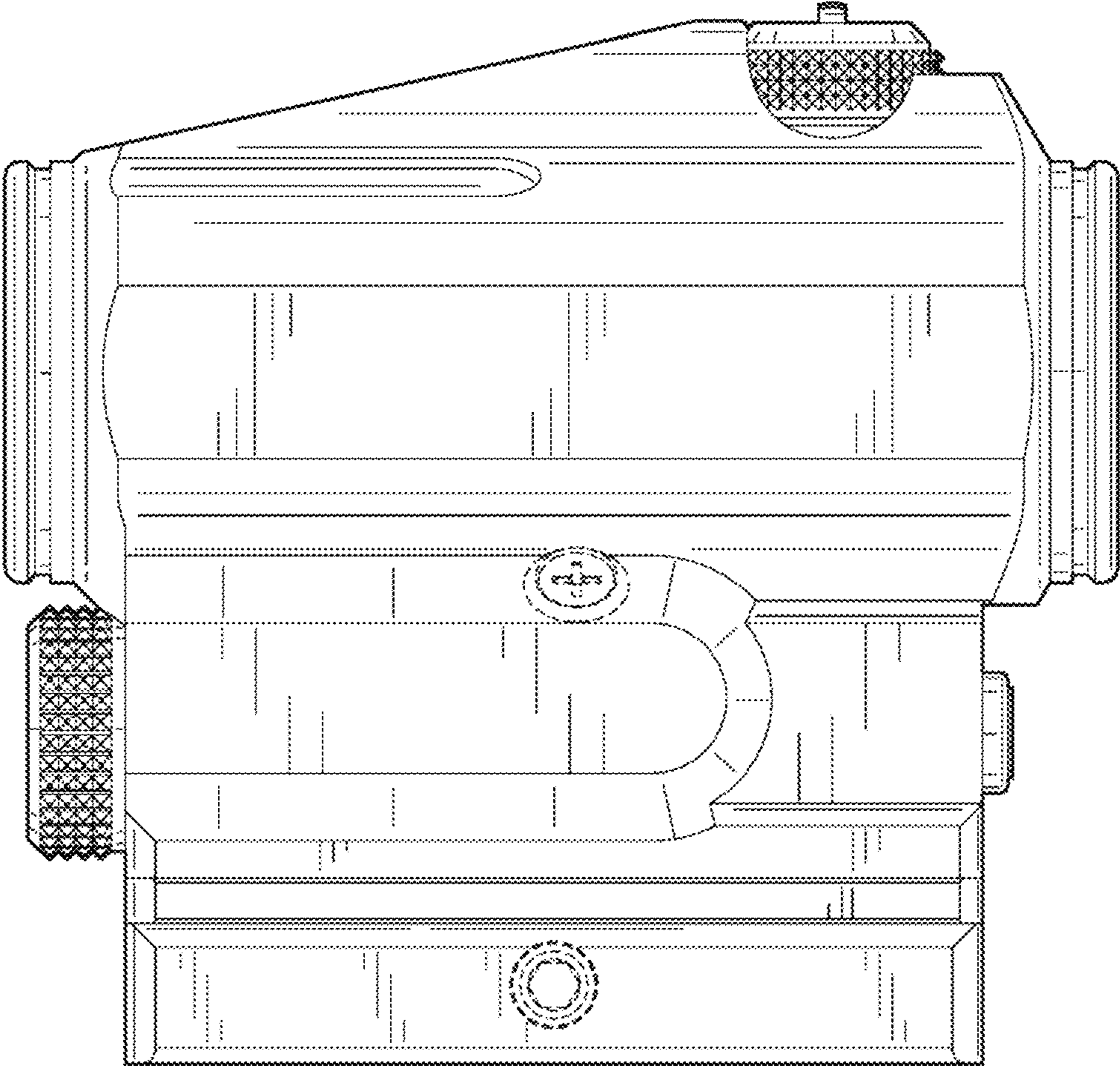


FIG. 5

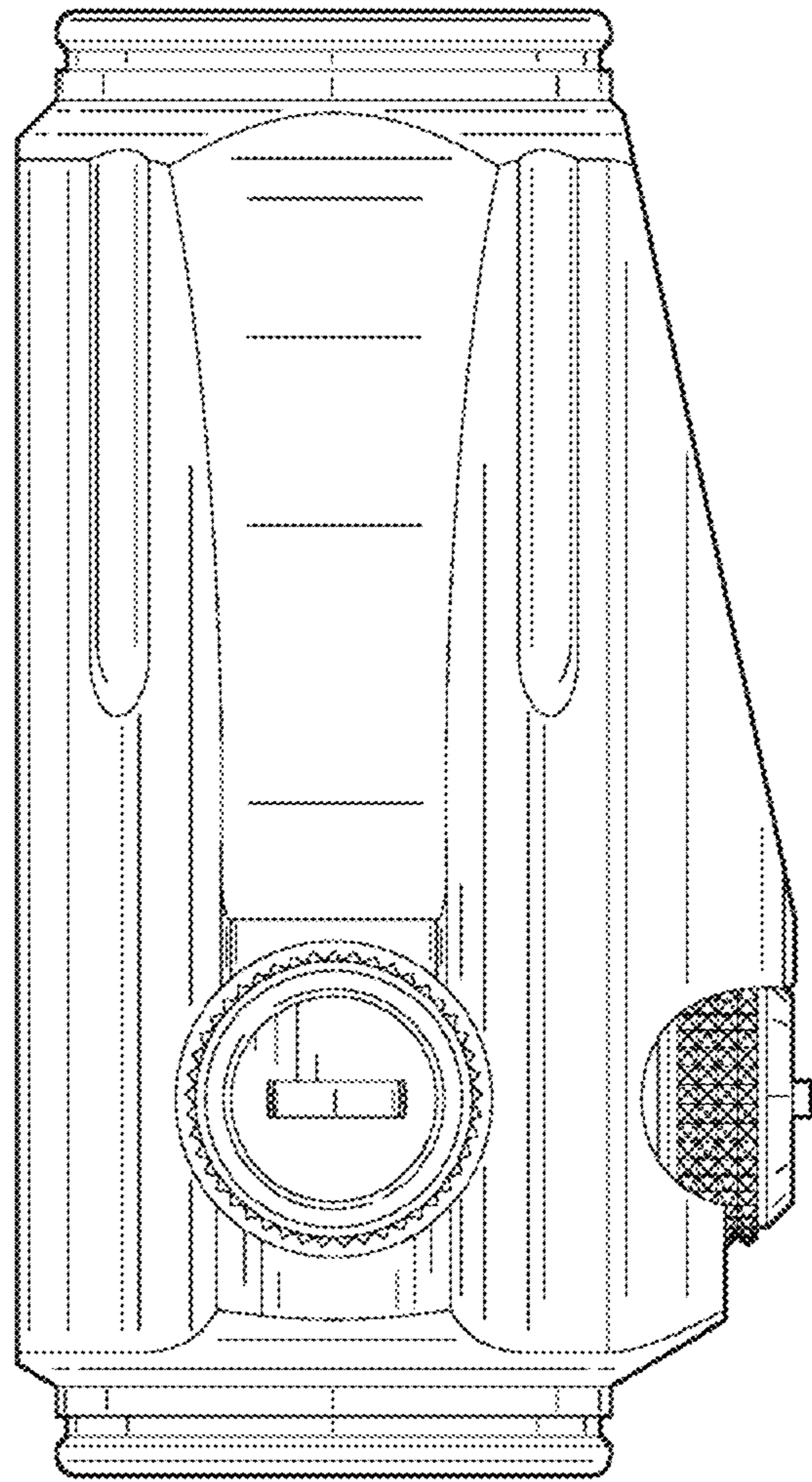


FIG. 6

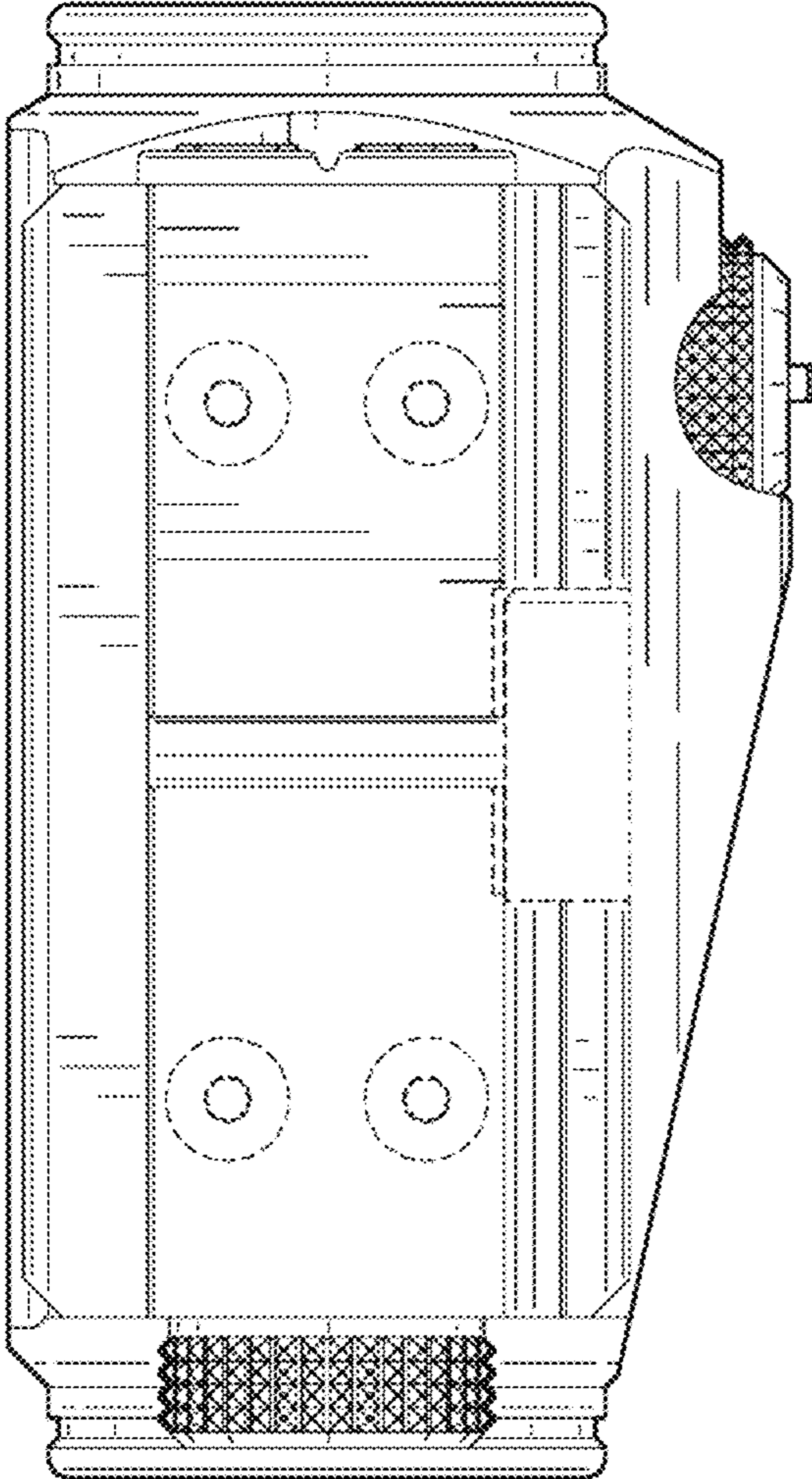


FIG. 7