



US00D888874S

(12) **United States Design Patent**
Hamilton et al.

(10) **Patent No.: US D888,874 S**
(45) **Date of Patent: ** Jun. 30, 2020**

(54) **RIFLESCOPE**

(71) Applicant: **Sheltered Wings, Inc.**, Middleton, WI (US)

(72) Inventors: **David M. Hamilton**, Mt. Horeb, WI (US); **Samuel J. Hamilton**, Mt. Horeb, WI (US)

(73) Assignee: **Sheltered Wings, Inc.**, Middleton, WI (US)

(**) Term: **15 Years**

(21) Appl. No.: **29/630,962**

(22) Filed: **Dec. 26, 2017**

Related U.S. Application Data

(63) Continuation of application No. 29/530,375, filed on Jun. 16, 2015, now abandoned.

(51) **LOC (12) Cl.** **22-01**

(52) **U.S. Cl.**
USPC **D22/109**

(58) **Field of Classification Search**
USPC D22/108-110, 199; D21/572-575
CPC . F41G 11/003; F41G 1/00; F41G 1/16; F41G 1/345

See application file for complete search history.

(56) **References Cited**

U.S. PATENT DOCUMENTS

D365,858 S	1/1996	Tomita	
D427,275 S *	6/2000	Gilmore	D16/130
D578,599 S *	10/2008	Cheng	D16/130
D616,956 S *	6/2010	Hamilton	D22/108
D619,190 S *	7/2010	Larsson	D22/108
D631,121 S *	1/2011	Cheng	D22/108
D676,096 S *	2/2013	Gambino	D22/109
D679,775 S *	4/2013	Cheng	D22/109
D728,062 S	4/2015	Hamilton et al.	

D732,137 S	6/2015	Hamilton et al.	
D741,446 S	10/2015	Cheng et al.	
9,243,870 B2	1/2016	Teetzel et al.	
D750,726 S *	3/2016	Cheng	D22/109
D752,701 S *	3/2016	Bengtsson	D22/109

(Continued)

OTHER PUBLICATIONS

Zgjehx572, Burris AR1X Prism Sight Review, posted at Best Gun Scopes, posting date May 28, 2015. [online], [site visited Oct. 14, 2016]. Available from Internet, <URL: <http://gunsscopesbest.com/burris-ar-1x-prism-sight-review/>> (Year: 2015).*

(Continued)

Primary Examiner — Kevin K Rudzinski
Assistant Examiner — Kathleen L Jones
(74) *Attorney, Agent, or Firm* — Husch Blackwell LLP

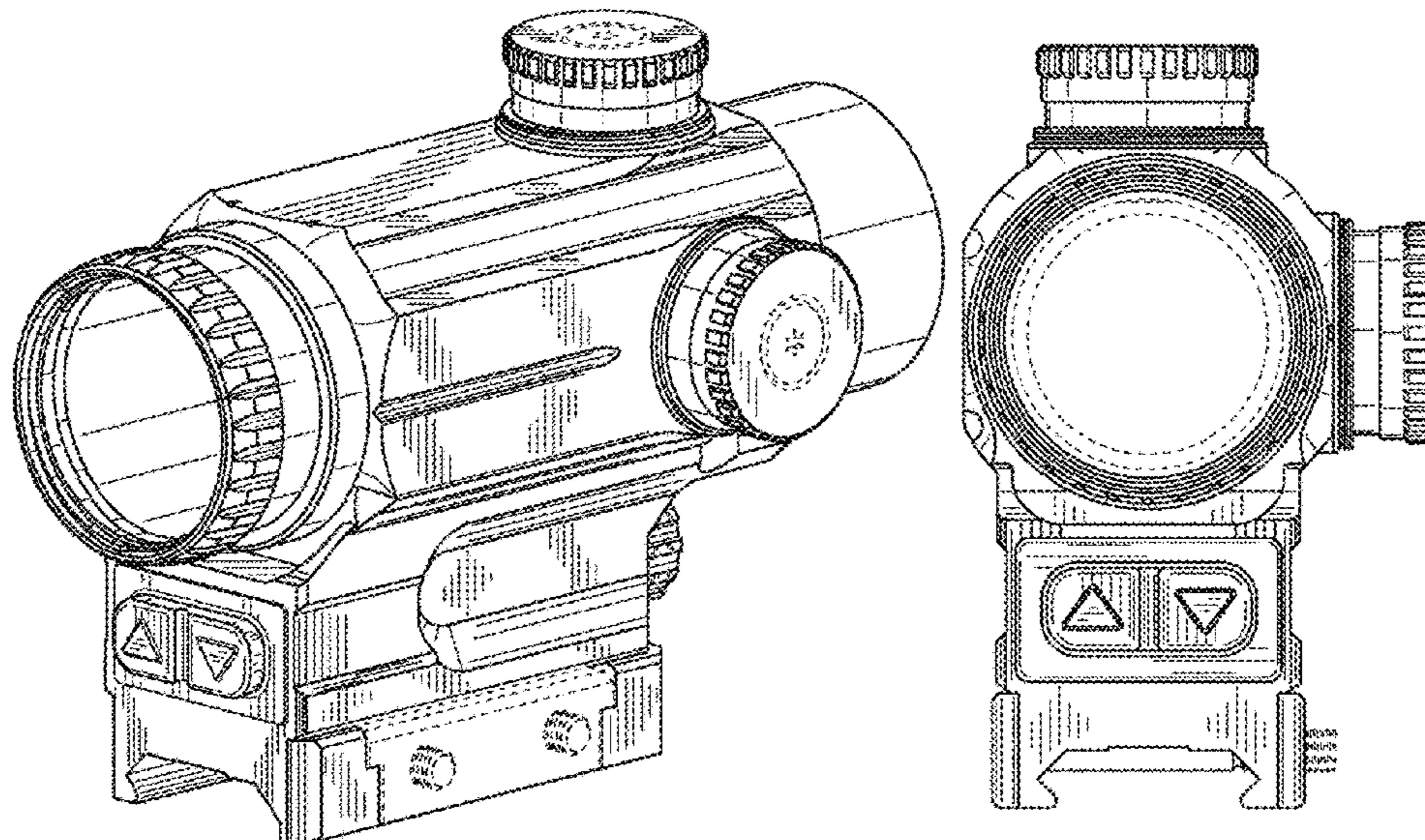
(57) **CLAIM**

We claim the ornamental design for a riflescope, as shown and described.

DESCRIPTION

FIG. 1 is a side perspective view of a riflescope of our new design;
FIG. 2 is a right side elevation view of the riflescope of FIG. 1;
FIG. 3 is a left side elevation view of the riflescope of FIG. 1;
FIG. 4 is a top view of the riflescope of FIG. 1;
FIG. 5 is a bottom view of the riflescope of FIG. 1;
FIG. 6 is a front elevation view of the riflescope of FIG. 1; and,
FIG. 7 is a rear elevation view of the riflescope of FIG. 1. The broken lines in FIGS. 1-7 are included for the purpose of illustrating portions of the article and form no part of the claimed design.

1 Claim, 7 Drawing Sheets



(56)

References Cited

U.S. PATENT DOCUMENTS

D757,886	S *	5/2016	Cheng	D22/109
D764,006	S *	8/2016	Horton	D22/109
D764,007	S *	8/2016	Horton	D22/109
D765,212	S *	8/2016	Cheng	D22/109
RE46,226	E *	12/2016	Gambino	D22/109
D774,158	S *	12/2016	Cheng	D22/109
D778,390	S	2/2017	Zhang et al.		
D781,990	S *	3/2017	Cheng	D22/109
D783,116	S *	4/2017	Cheng	D22/109
D787,627	S *	5/2017	Horton	D22/109
D795,989	S *	8/2017	Horton	D22/109
D803,347	S *	11/2017	Cheng	D22/109
D806,820	S *	1/2018	Larsson	D22/109
D819,160	S *	5/2018	Hamilton	D22/109
D841,112	S *	2/2019	Shi	D22/109
10,208,931	B2 *	2/2019	Galli	H05B 45/37
D846,691	S *	4/2019	Cheng	D22/109
10,254,084	B2 *	4/2019	Connolly	F41G 11/001
10,365,069	B1 *	7/2019	Tayon	F41G 1/35
D856,458	S *	8/2019	Cheng	D22/109
10,415,932	B1 *	9/2019	Greenslade	F41G 1/32
10,514,233	B2 *	12/2019	Sun	H02S 10/40
2008/0295380	A1	12/2008	Buckingham et al.		
2009/0100735	A1	4/2009	Schick et al.		
2010/0162611	A1 *	7/2010	Samson	F41G 1/18 42/125
2012/0055063	A1 *	3/2012	Lindau	F41G 1/30 42/113
2017/0038177	A1 *	2/2017	Sun	F41G 1/30
2019/0011225	A1 *	1/2019	Sun	F41G 1/545
2019/0101356	A1 *	4/2019	Chavez	F41G 3/165
2019/0323795	A1 *	10/2019	Zimmer	F41C 23/12
2019/0324260	A1 *	10/2019	Hamilton	G01C 3/04

OTHER PUBLICATIONS

Burris AR1X Prism Sight Kit 300219 w/ Free Shipping, posted at Optics Planet, posting date May 23, 2015. [online], [site visited Oct. 14, 2016]. Available from Internet, <URL: <https://web.archive.org/web/20150323210706/http://www.opticsplanet.com/burris-ar-1x-prism-sight-kit.html?>> (Year: 2015).*

HOLOSUN Infiniti Red Dot Sight (2 MOA) with 50000 Hours Battery Life, posted at Amazon, comment posting date Sep. 12, 2014. [online], [site visited Oct. 14, 2016]. Available from Internet, <URL: <https://www.amazon.com/HOLOSUN-Infiniti-Sight-50000-Battery/dp/B00R5PQG6A>> (Year: 2014).*

Yan, Timothy G., Burris AR-1X Prism Sight, posted at The Firearm Blog, posting date Jan. 17, 2014. [online]. [site visited Jan. 3, 2019]. URL: <<https://www.thefirearmblog.com/blog/2014/01/17/burris-ar-1x-prism-sight-shot-show-optic-preview/>> (Year: 2014).*

CN-303108084, posted at Orbit, publication date Feb. 18, 2015. Site visited Jan. 4, 2019, Available from Internet. (Year: 2015).*

Zgjehx572, Burris AR1X Prism Sight Review, posted at Best Gun Scopes, posting date May 28, 2015. [online], [site visited Oct. 14, 2016]. Available from Internet, <URL: <http://gunscopesbest.com/burris-ar-1x-prism-sight-review/>>.

Burris AR1X Prism Sight Kit 300219 w/Free Shipping, posted at Optics Planet, posting date May 23, 2015, [online], [site visited Oct. 14, 2016]. Available from Internet, <URL: <https://web.archive.org/web/20150323210706/http://www.opticsplanet.com/burris-ar-1x-prism-sight-kit.html?>>.

HOLOSUN Infiniti Red Dot Sight (2MOA) with 50000 Hours Battery Life, posted at Amazon, comment posting date Sep. 12, 2014. [online], [site visited Oct. 14, 2016]. Available from Internet, <URL: <https://www.amazon.com/HOLOSUN-Infiniti-Sight-50000-Battery/dp/B00R5PQG6A>>.

* cited by examiner

FIG. 1

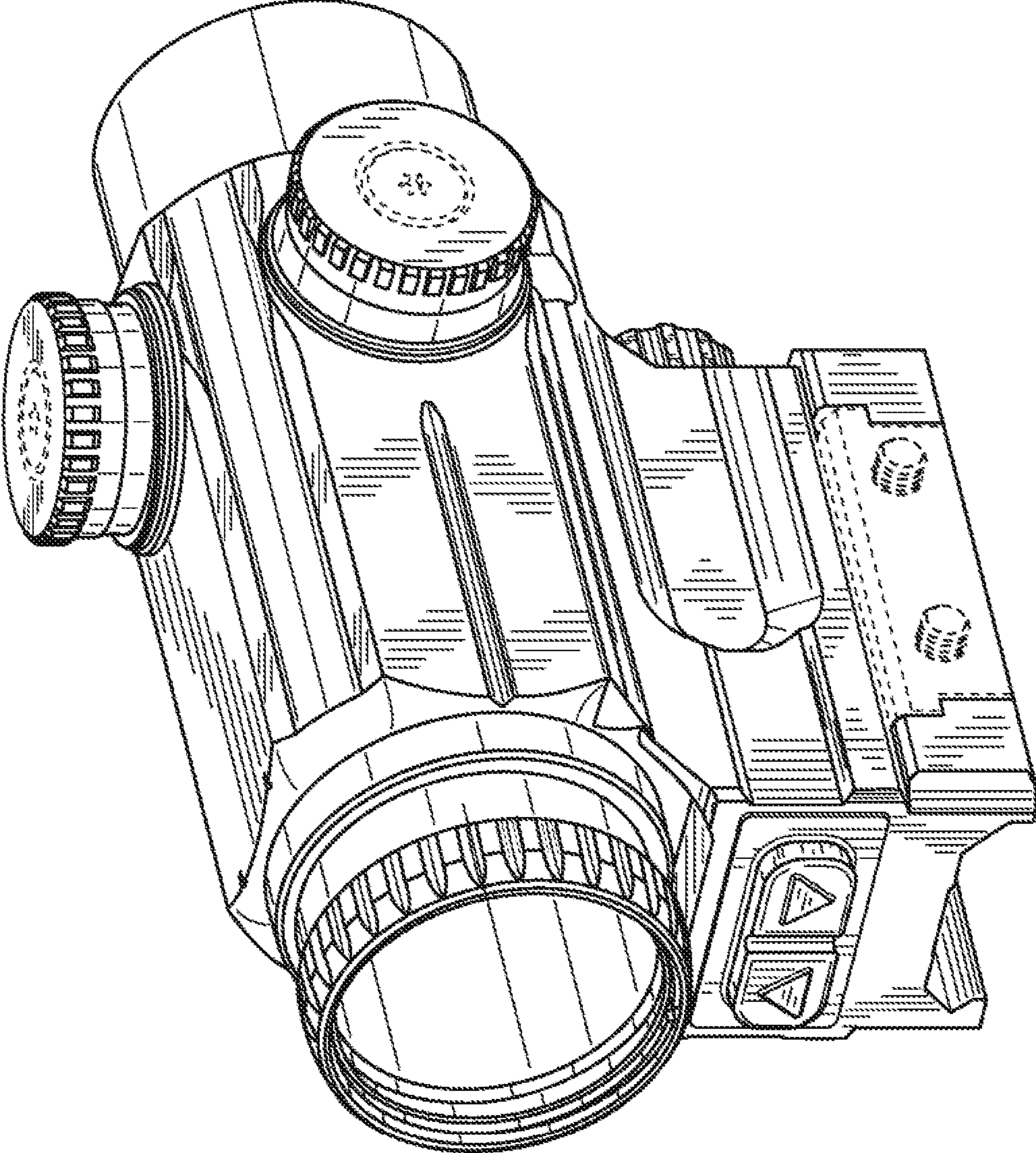


FIG. 2

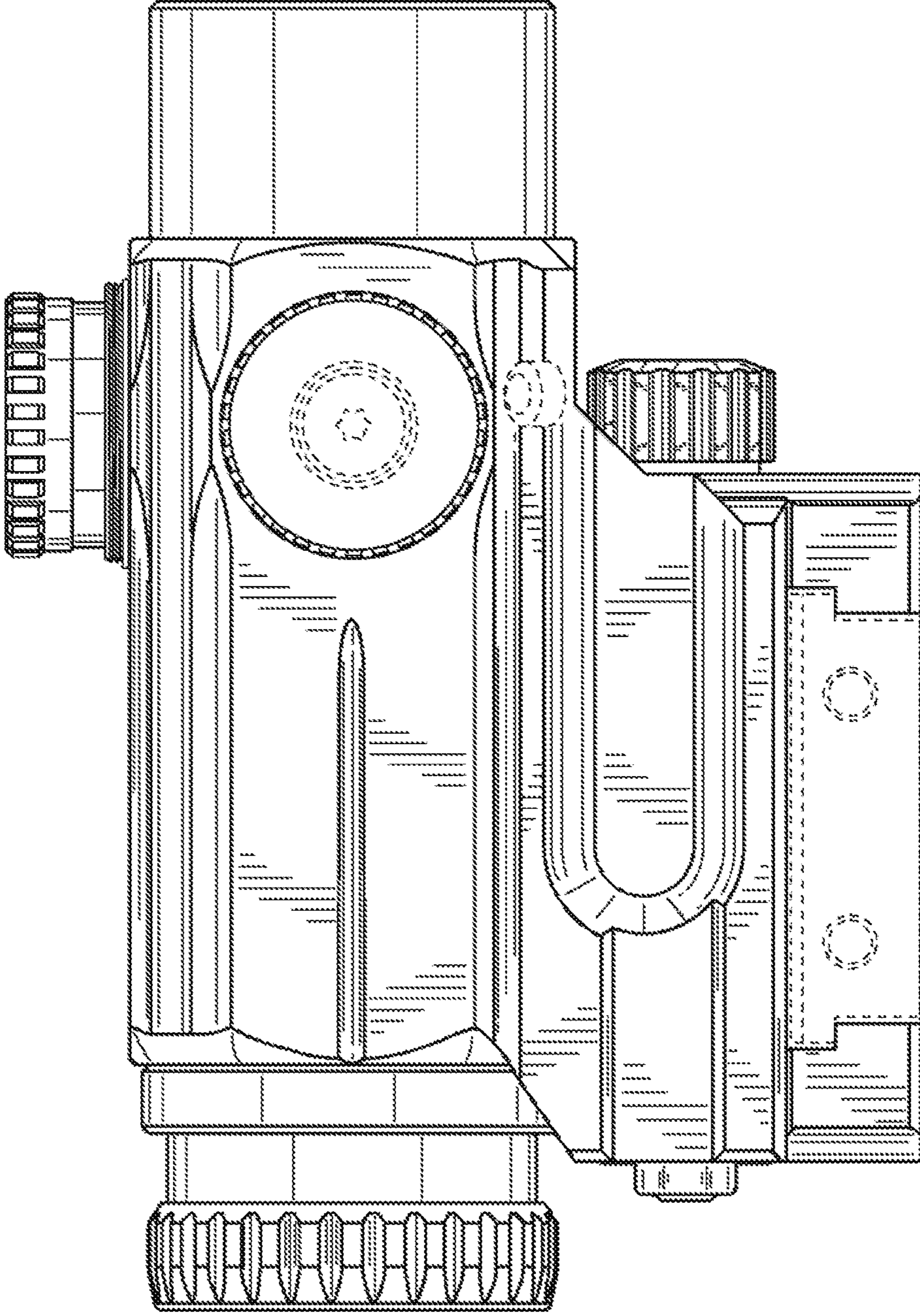


FIG. 3

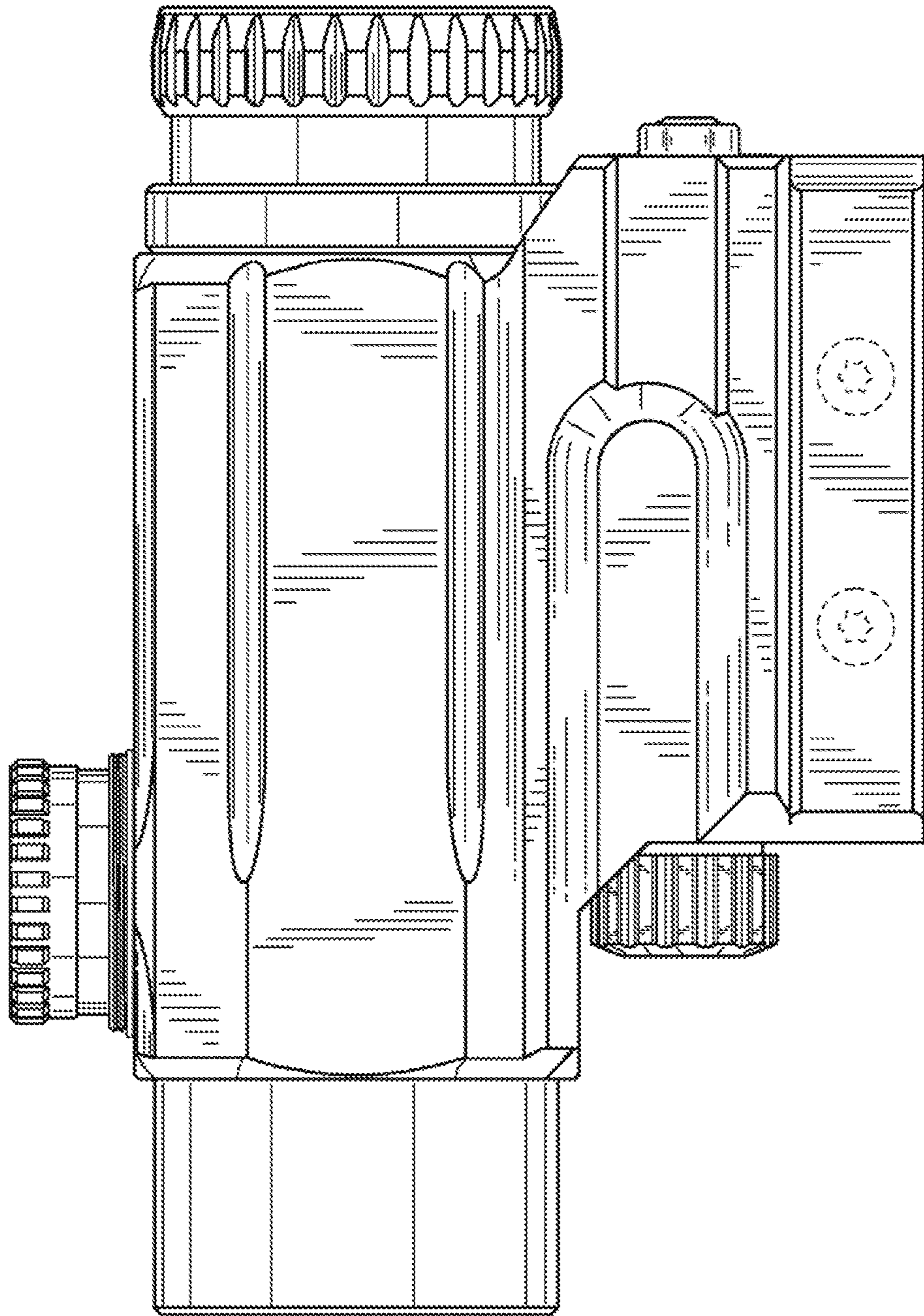


FIG. 4

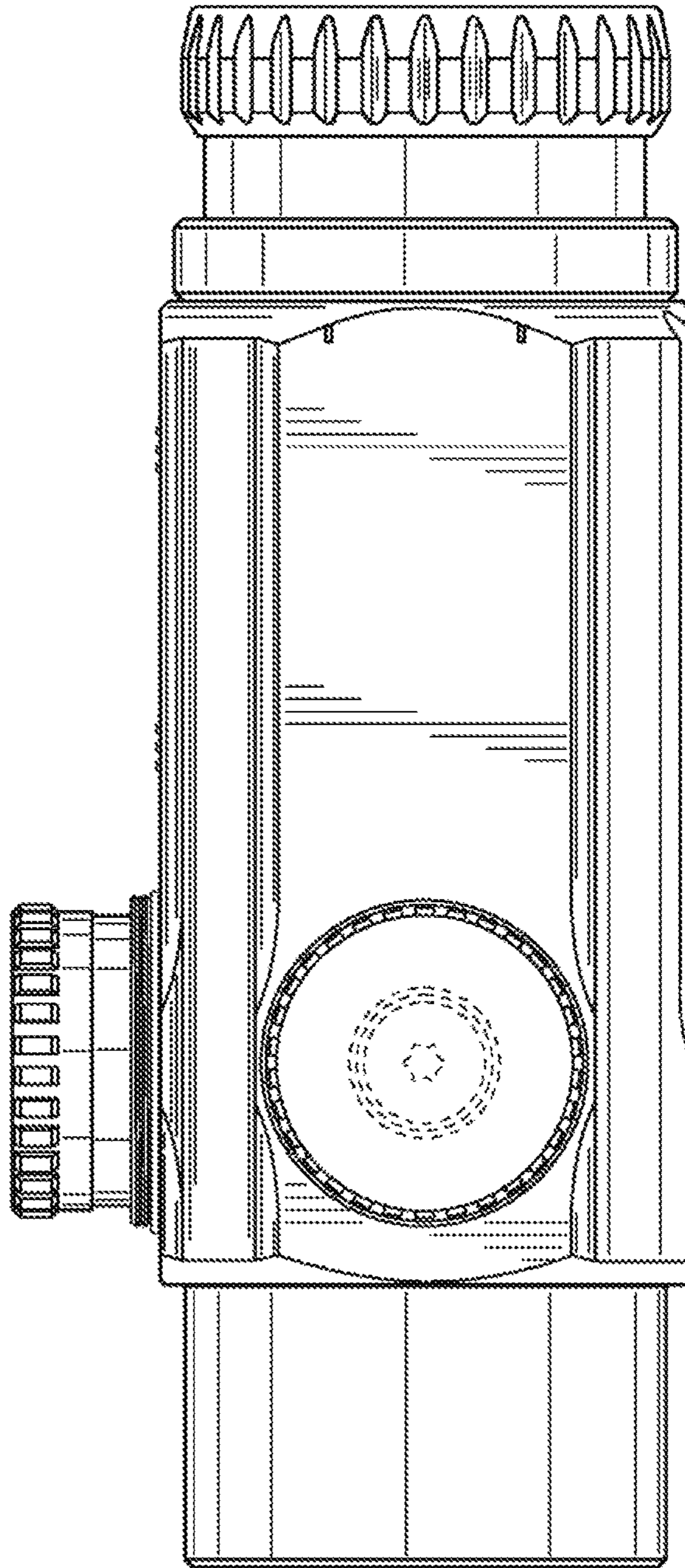


FIG. 5

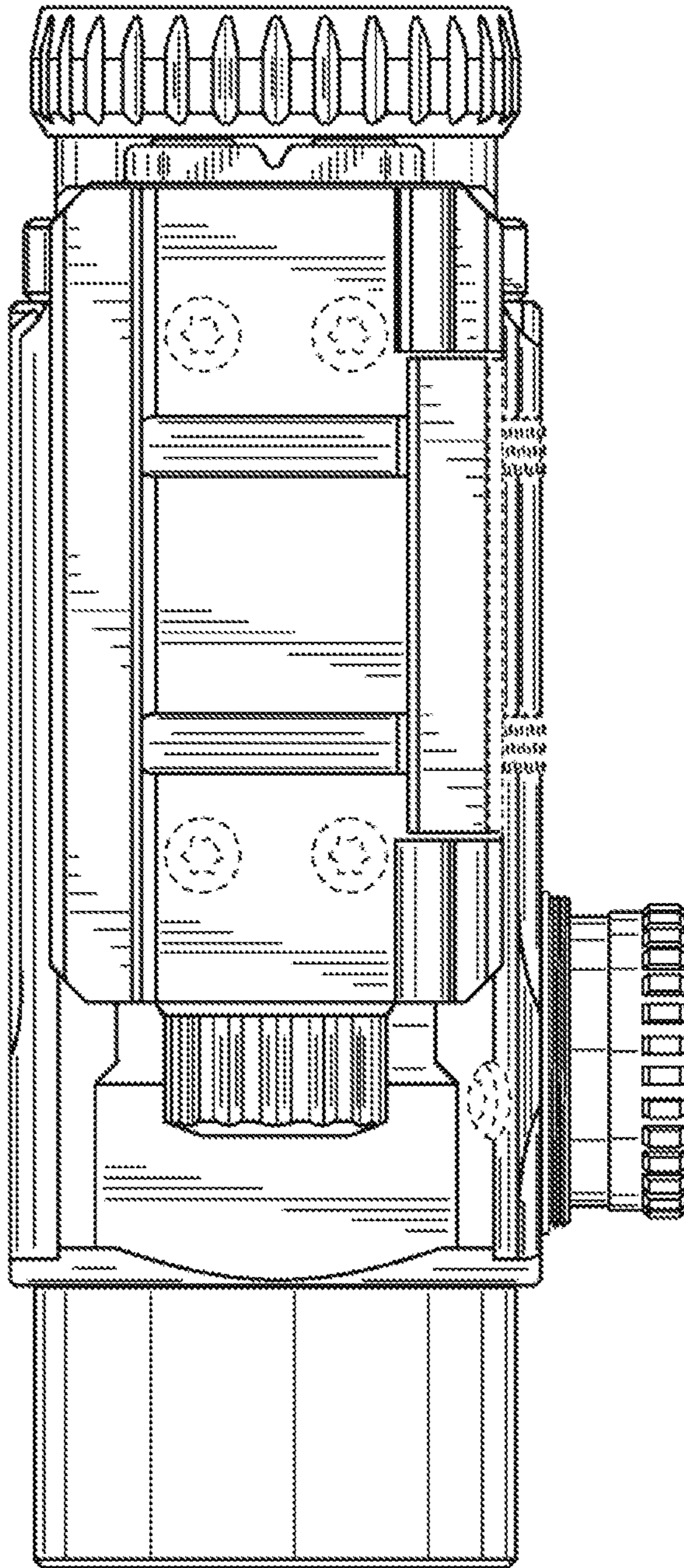


FIG. 6

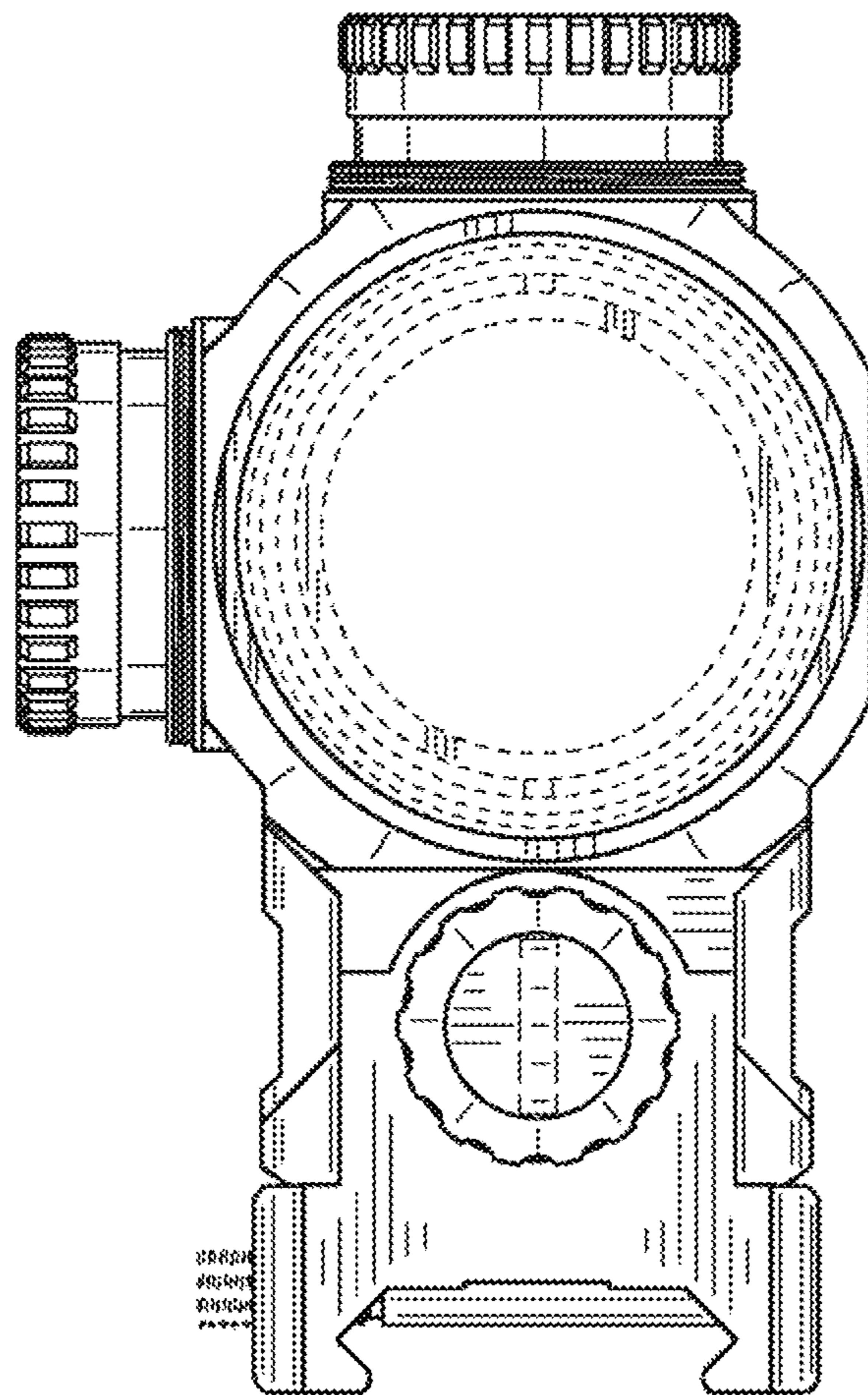


FIG. 7

