



US00D888873S

(12) **United States Design Patent**
Zhang et al.

(10) **Patent No.:** **US D888,873 S**

(45) **Date of Patent:** **** Jun. 30, 2020**

(54) **ELECTRONIC SIGHT**

(71) Applicant: **Huntercraft Limited**, Albany, NY (US)

(72) Inventors: **Lin Zhang**, Albany, NY (US);
Chunhua Shi, Albany, NY (US); **Sang Su**, Albany, NY (US)

(73) Assignee: **Huntercraft Limited**, Albany, NY (US)

(**) Term: **15 Years**

(21) Appl. No.: **29/605,074**

(22) Filed: **May 23, 2017**

(51) **LOC (12) Cl.** **22-01**

(52) **U.S. Cl.**
USPC **D22/109**

(58) **Field of Classification Search**
USPC D22/108–110, 199; D21/572–575
CPC . F41G 11/003; F41G 1/00; F41G 1/16; F41G
1/345

See application file for complete search history.

(56) **References Cited**

U.S. PATENT DOCUMENTS

D378,936 S *	4/1997	DePaoli	D22/109
D427,275 S *	6/2000	Gilmore	D16/130
D631,121 S *	1/2011	Cheng	D22/108
D676,096 S *	2/2013	Gambino	D22/109
D762,806 S *	8/2016	Chavez	D22/109
D778,390 S *	2/2017	Zhang	D22/109
D781,990 S *	3/2017	Cheng	D22/109
D783,116 S *	4/2017	Cheng	D22/109
D803,347 S *	11/2017	Cheng	D22/109
D807,981 S *	1/2018	Cheng	D22/108
D813,340 S *	3/2018	Galli	D22/108
D814,600 S *	4/2018	Cheng	D22/109
D827,083 S *	8/2018	Zhang	D22/109
D829,841 S *	10/2018	Galli	D22/108
D841,112 S *	2/2019	Shi	D22/109

10,208,931 B2 *	2/2019	Galli	H05B 45/37
D846,691 S *	4/2019	Cheng	D22/109
10,254,084 B2 *	4/2019	Connolly	F41G 11/001
D848,565 S *	5/2019	Lavin	D22/108
D856,458 S *	8/2019	Cheng	D22/109
2006/0225335 A1 *	10/2006	Florence	F41A 17/08 42/123
2010/0164401 A1 *	7/2010	Matthews	F21V 23/0414 315/294
2018/0188004 A1 *	7/2018	Zhang	H04N 5/2252

(Continued)

OTHER PUBLICATIONS

CN-304468040, posted at Orbit, publication date Jan. 19, 2018.
Available from Internet. (Year: 2018).*

Primary Examiner — Kevin K Rudzinski

Assistant Examiner — Kathleen L Jones

(74) *Attorney, Agent, or Firm* — Novick, Kim & Lee,
PLLC; Allen Xue; Hyun Woo Shin

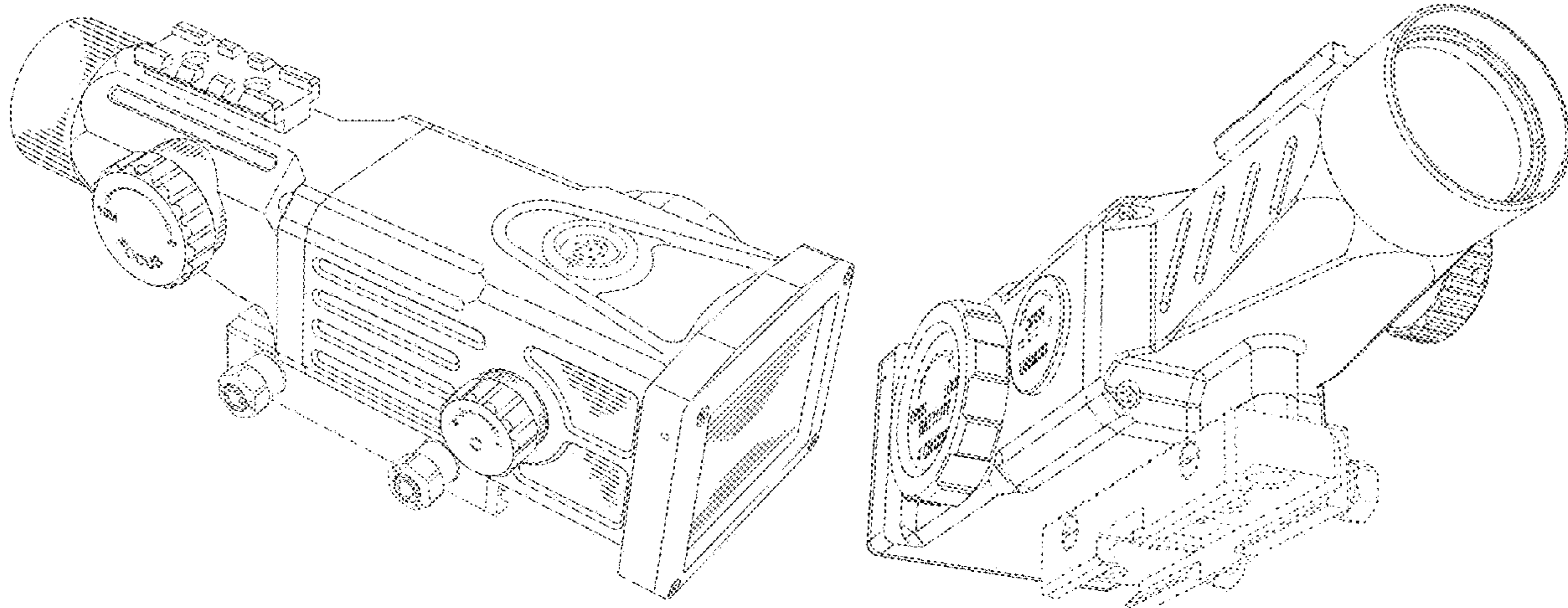
(57) **CLAIM**

We claim the ornamental design for an electronic sight, as shown and described.

DESCRIPTION

FIG. 1 is a top, rear, right side perspective view of an electronic sight showing our new design; FIG. 2 is a front elevational view thereof; FIG. 3 is a rear elevational view thereof; FIG. 4 is a left side elevational view thereof; FIG. 5 is a right side elevational view thereof; FIG. 6 is a top plan view thereof; FIG. 7 is a bottom plan view thereof; and, FIG. 8 is a front, bottom, left side perspective view thereof. The broken lines shown in the drawings are included for the purpose of illustrating portions of the article and form no part of the claimed design.

1 Claim, 8 Drawing Sheets



(56)

References Cited

U.S. PATENT DOCUMENTS

2018/0356186 A1* 12/2018 Mai F41G 1/345
2019/0162507 A1* 5/2019 Li F41G 1/345
2019/0324260 A1* 10/2019 Hamilton G01C 3/04
2019/0369293 A1* 12/2019 Mandos, III F41G 1/38

* cited by examiner

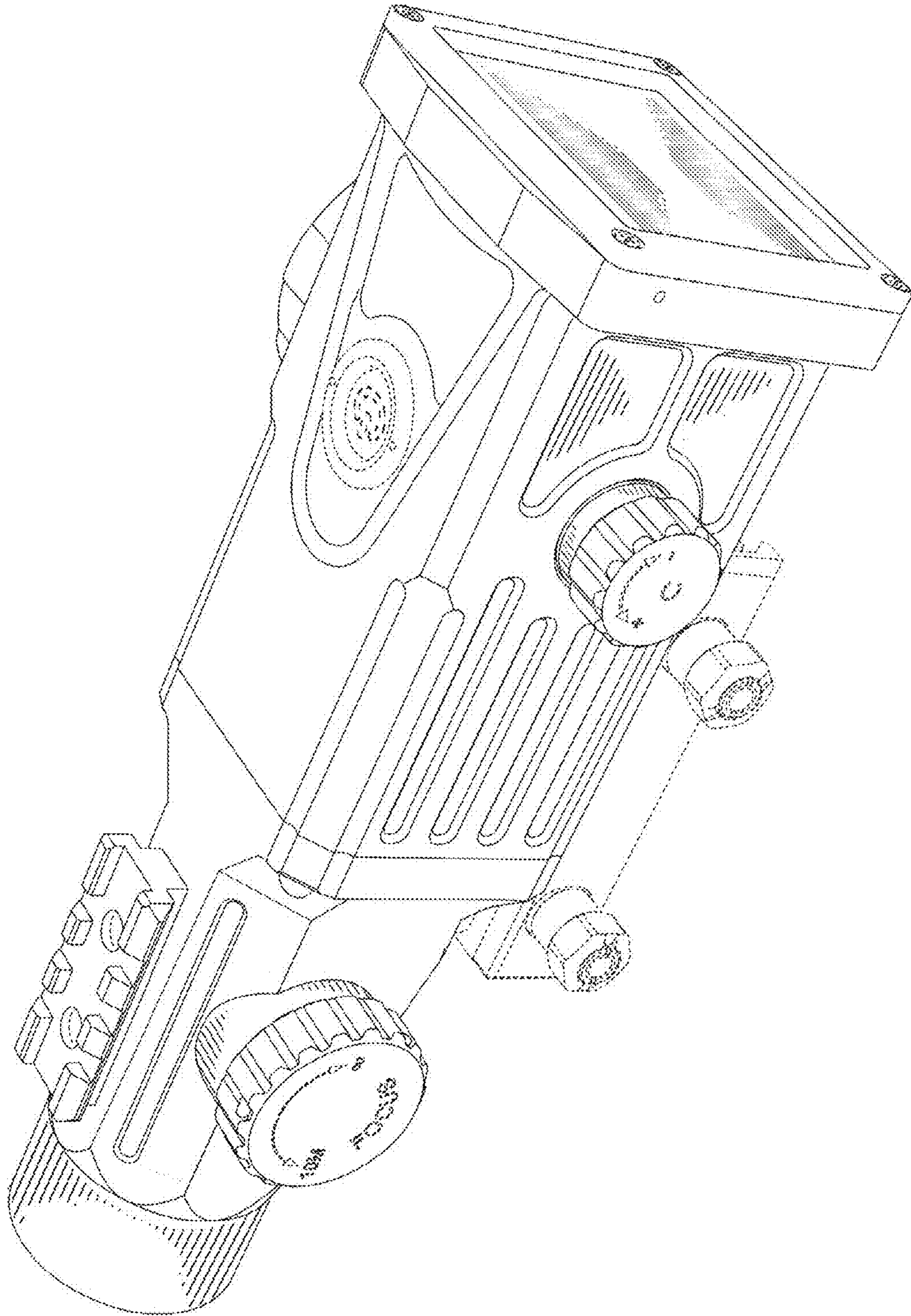


Fig. 1

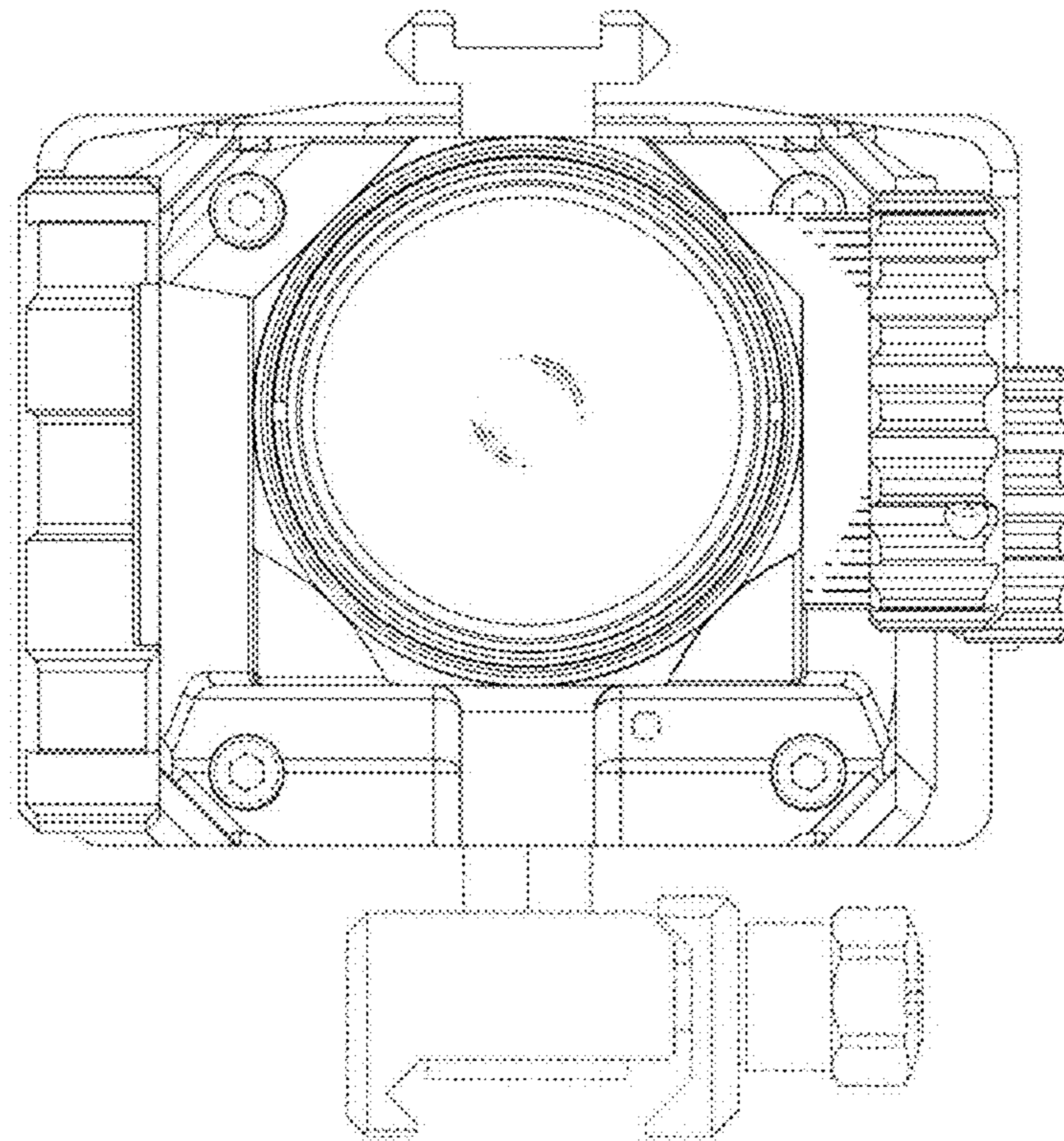


Fig. 2

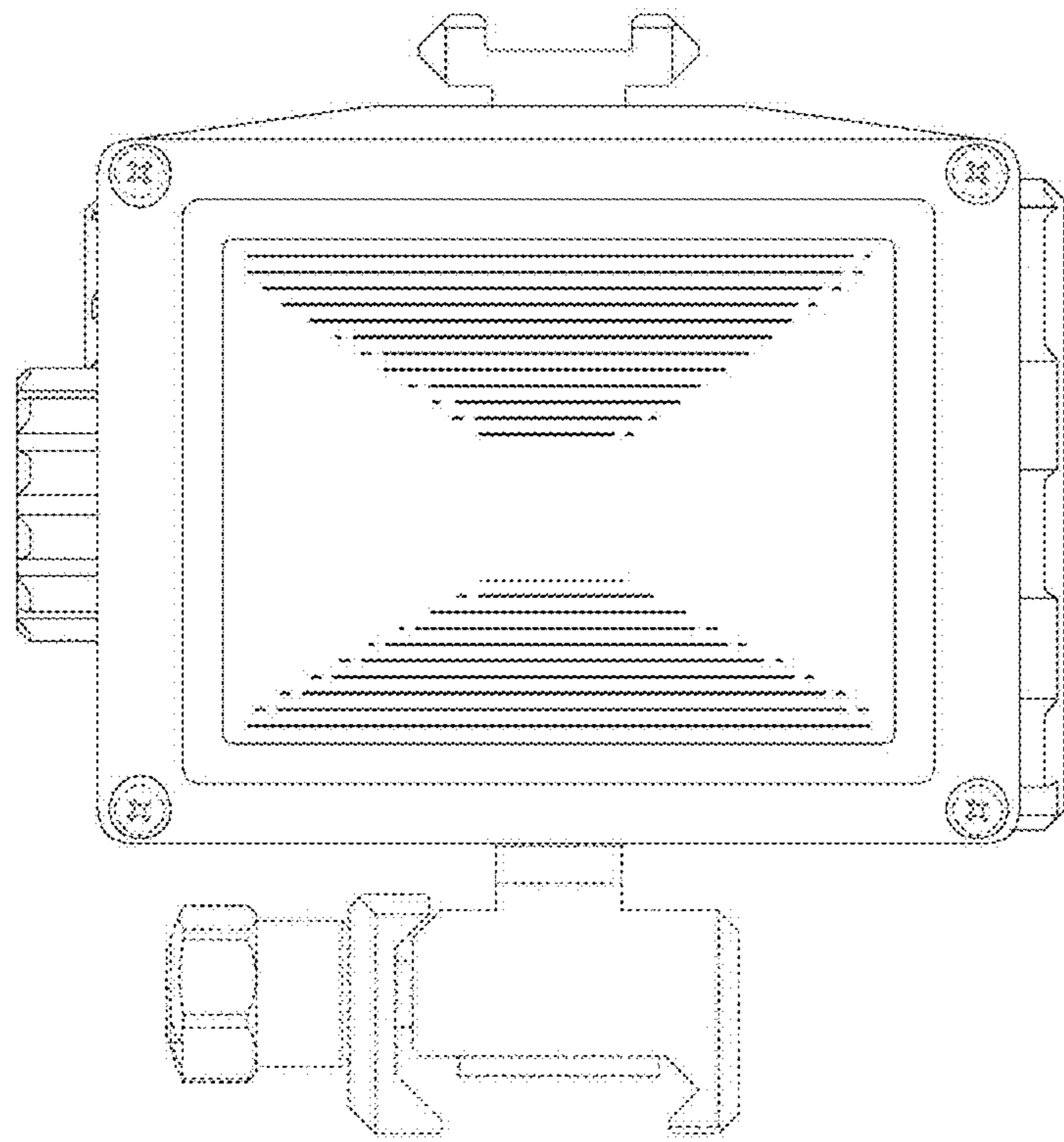


Fig. 3

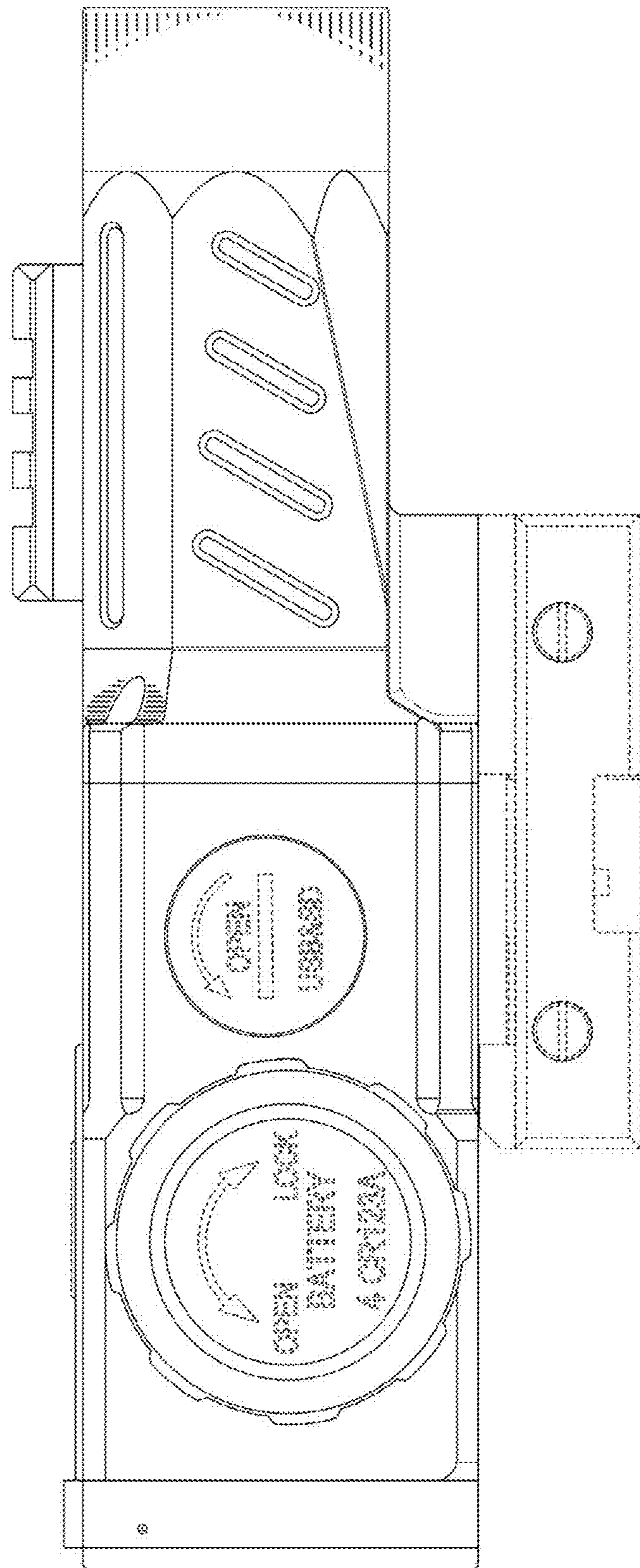


Fig. 4

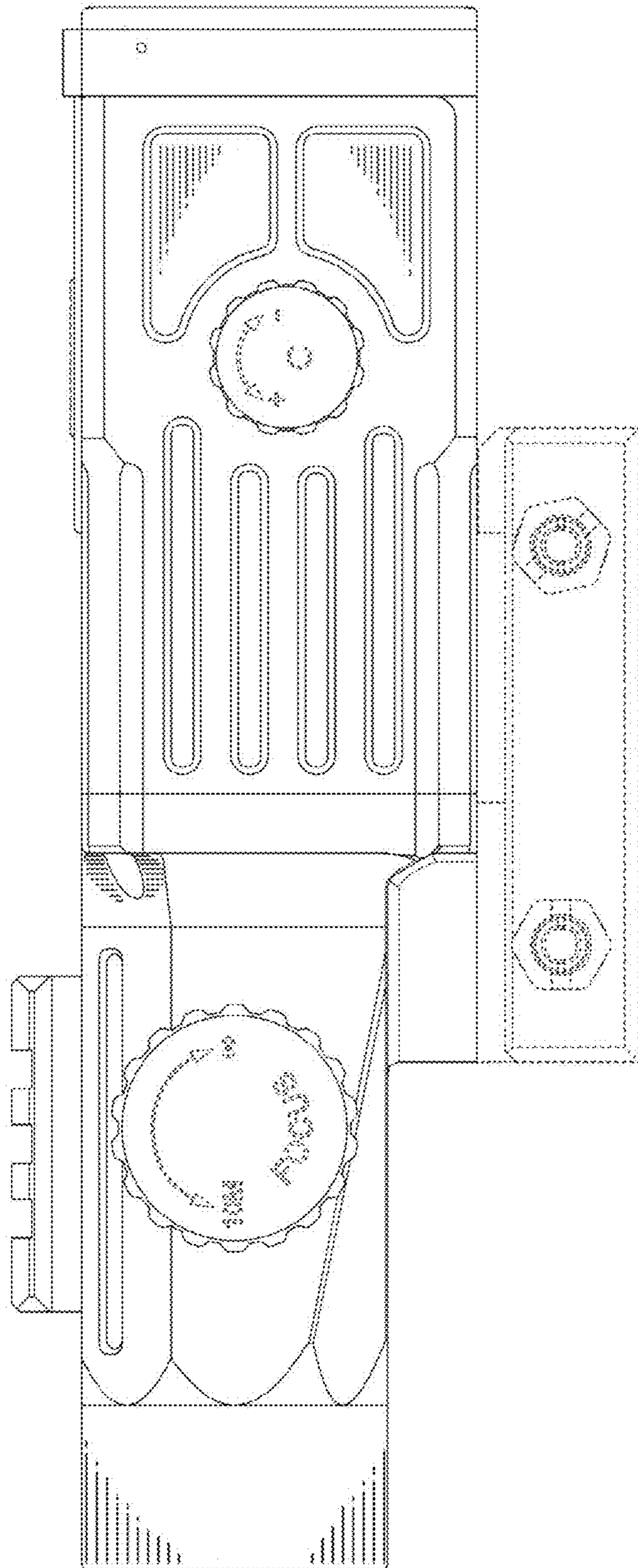


Fig. 5

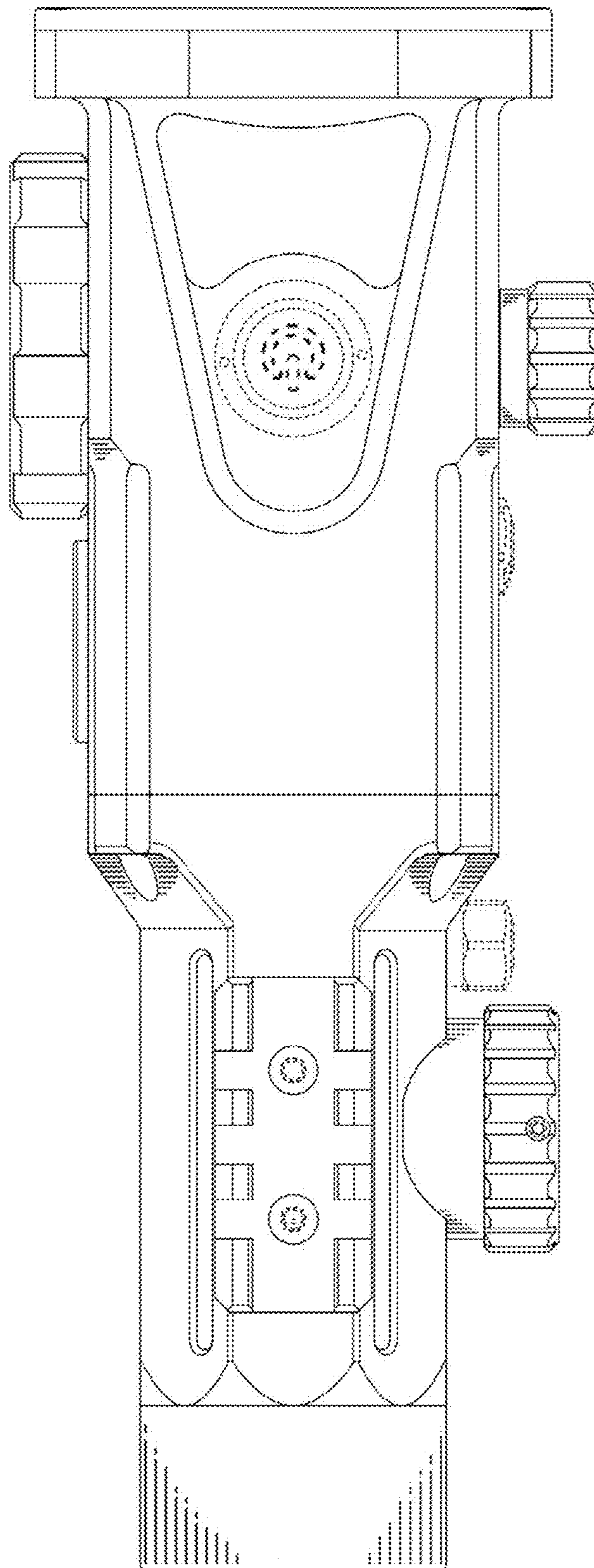


FIG. 6

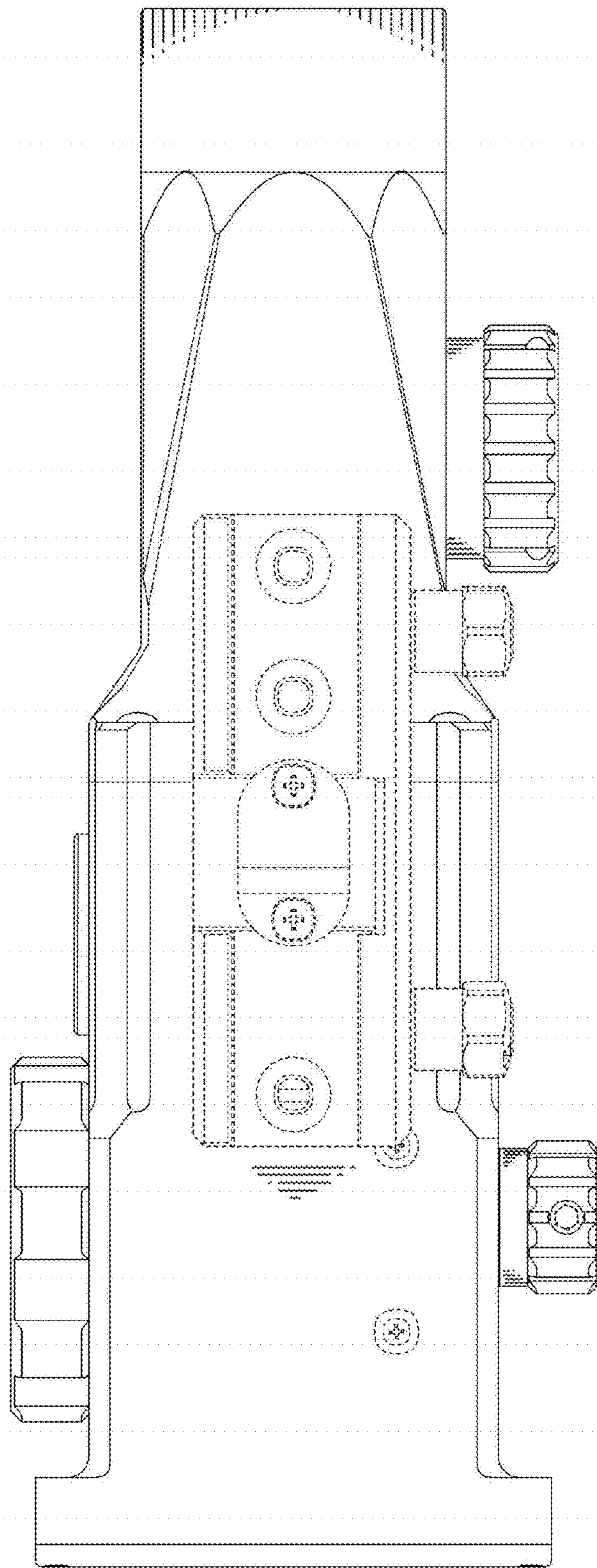


FIG. 7

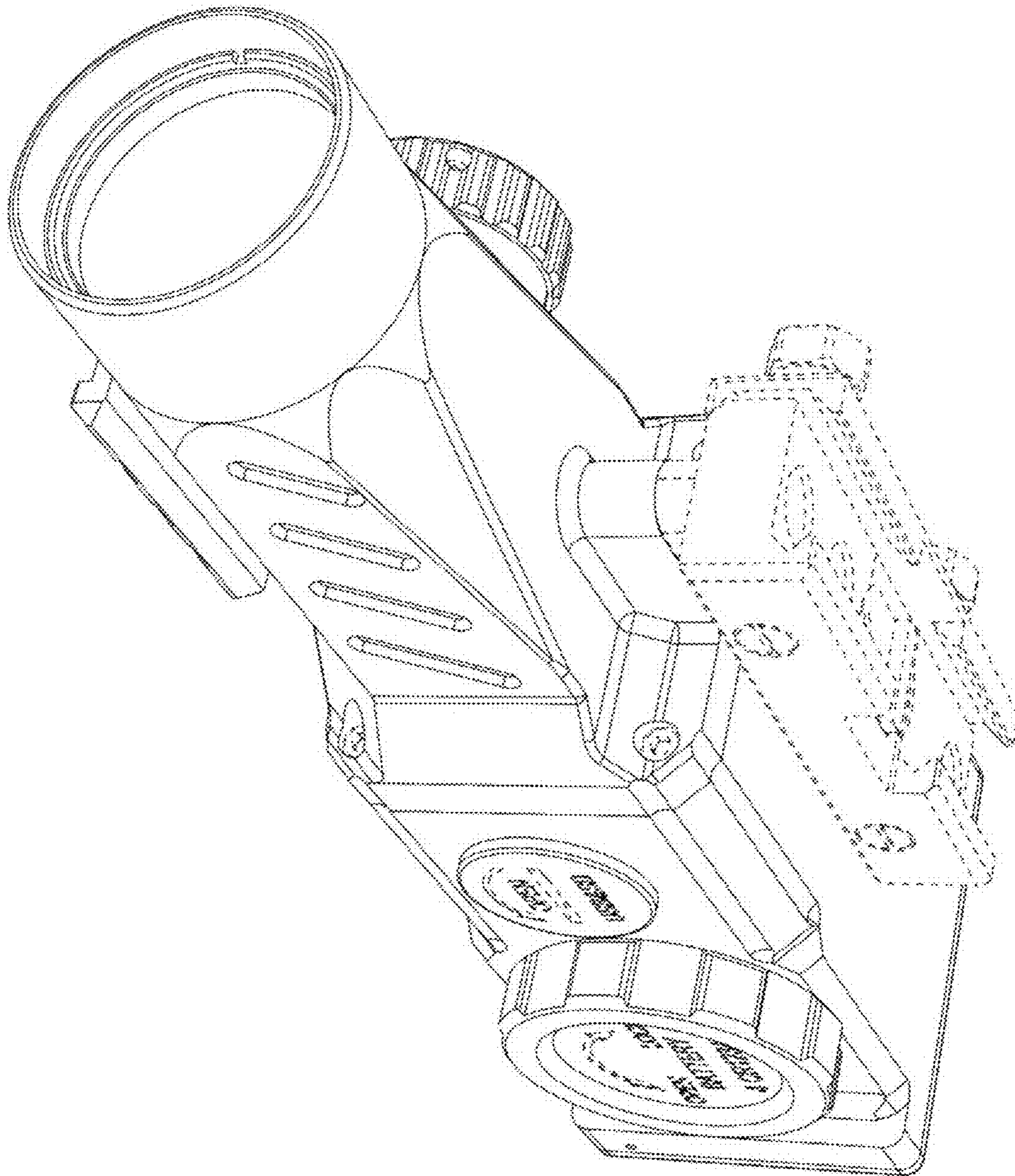


Fig. 8