



US00D888872S

(12) **United States Design Patent**
Pedersen

(10) **Patent No.:** **US D888,872 S**
(45) **Date of Patent:** **** Jun. 30, 2020**

(54) **FRONT RAIL COVER AND HAND GUARD ASSEMBLY FOR AN AIRSOFT GUN, FIREARM, REPLICA FIREARM, OR THE LIKE**

D779,012 S * 2/2017 Abbott D22/103
D780,277 S * 2/2017 Barnett D22/107
D814,598 S * 4/2018 Monti D22/108
D855,138 S * 7/2019 Cheng D22/108

(71) Applicant: **ACTIONSPORTGAMES A/S**,
Espergaerde (DK)
(72) Inventor: **Johnny Percy Pedersen**, Espergaerde
(DK)
(73) Assignee: **ACTIONSPORTGAMES A/S**,
Espergaerde (DK)

OTHER PUBLICATIONS

“Official Scorpion Picture Thread!” [online]. czfirearms.us. [Published Jan. 6, 2017]. Retrieved from the Internet: <<https://czfirearms.us/index.php?topic=75902.315>>.*

(**) Term: **15 Years**

* cited by examiner

(21) Appl. No.: **29/677,951**

Primary Examiner — Khawaja Anwar
Assistant Examiner — Mojtaba Tehrani
(74) *Attorney, Agent, or Firm* — Ferguson Case Orr
Paterson

(22) Filed: **Jan. 24, 2019**

(57) **CLAIM**

(51) **LOC (12) Cl.** **22-01**
(52) **U.S. Cl.**
USPC **D22/108**

The ornamental design for a front rail cover and hand guard assembly for an airsoft gun, firearm, replica firearm, or the like, as shown and described.

(58) **Field of Classification Search**
USPC D22/100, 103, 108, 109, 113, 115, 116,
D22/199; D21/302, 567, 573
CPC F41C 7/00; F41C 23/16; F41G 1/02; F41G
1/027; F41G 1/14; F41J 1/10; F42B 6/10;
F42B 7/00; F42B 7/02; F41A 17/38
See application file for complete search history.

DESCRIPTION

(56) **References Cited**

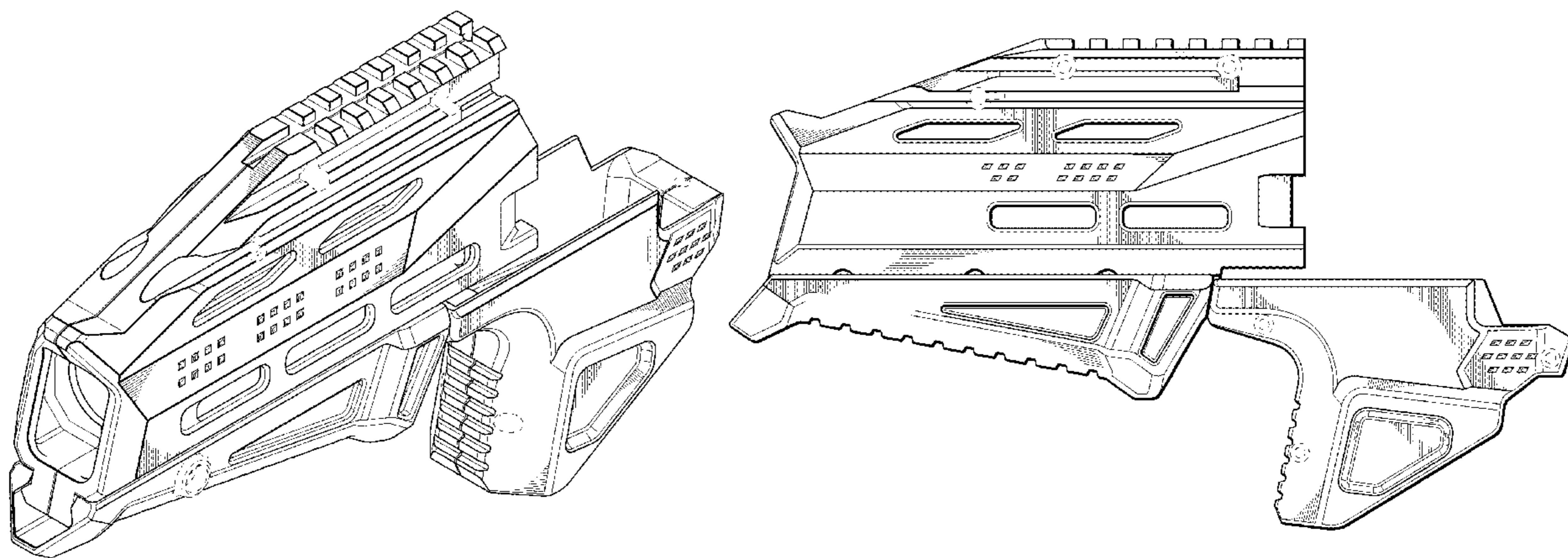
U.S. PATENT DOCUMENTS

D379,910 S * 6/1997 Hannen D8/29.1
D418,177 S * 12/1999 Lebensfeld D21/574
D614,723 S * 4/2010 Bentley D22/109
D698,405 S * 1/2014 Kline D22/108
D720,409 S * 12/2014 Li D21/573

FIG. 1 is a front perspective view of a front rail cover and hand guard assembly for an airsoft gun, firearm, replica firearm, or the like, showing my new design;
FIG. 2 is a front elevation view thereof;
FIG. 3 is a rear elevation view thereof;
FIG. 4 is a side elevation view thereof;
FIG. 5 is an opposite side elevation view thereof;
FIG. 6 is a top plan view thereof; and,
FIG. 7 is a bottom plan view thereof.

Broken lines in the drawings disclose unclaimed subject matter and form no part of the claimed design.

1 Claim, 5 Drawing Sheets



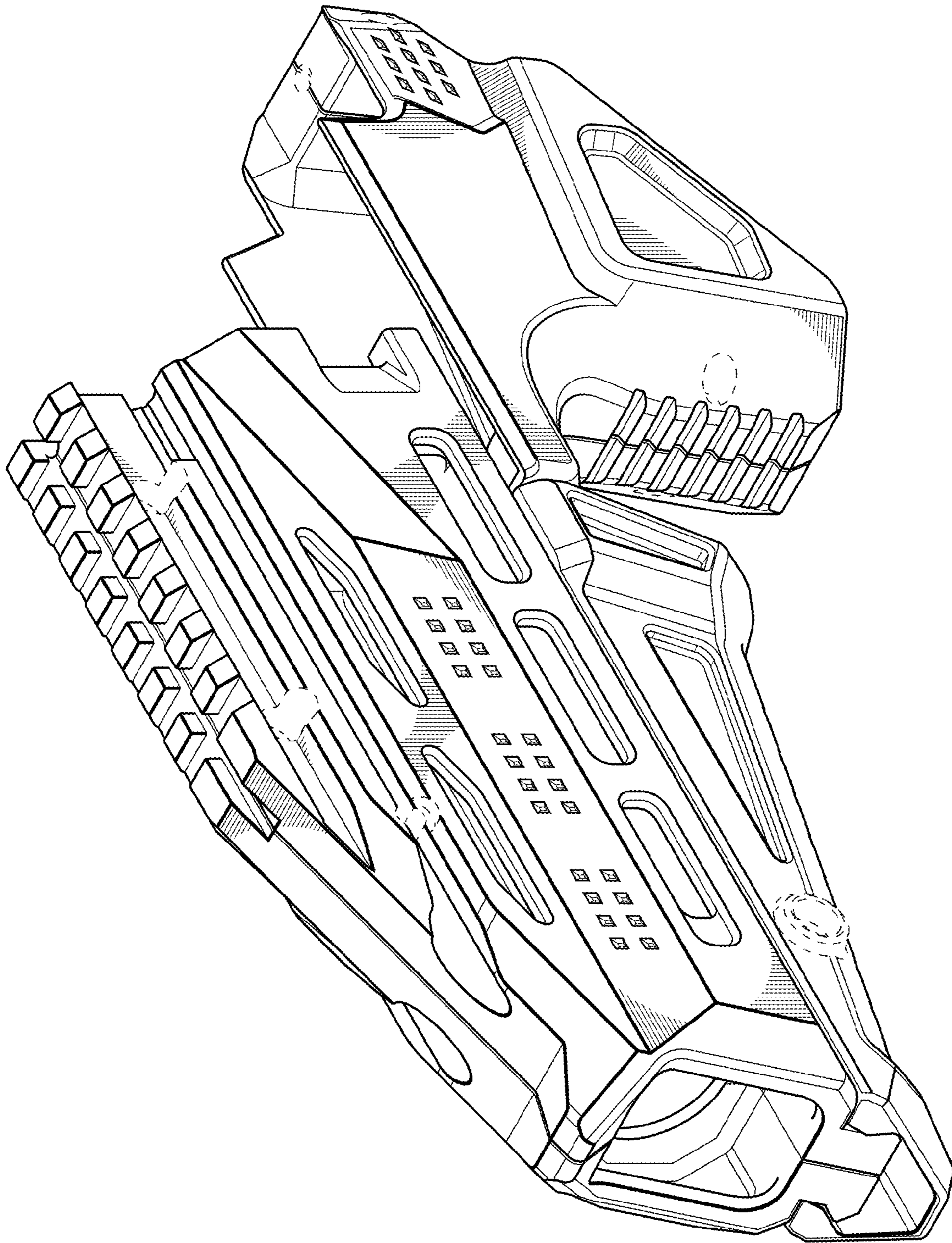


FIG. 1

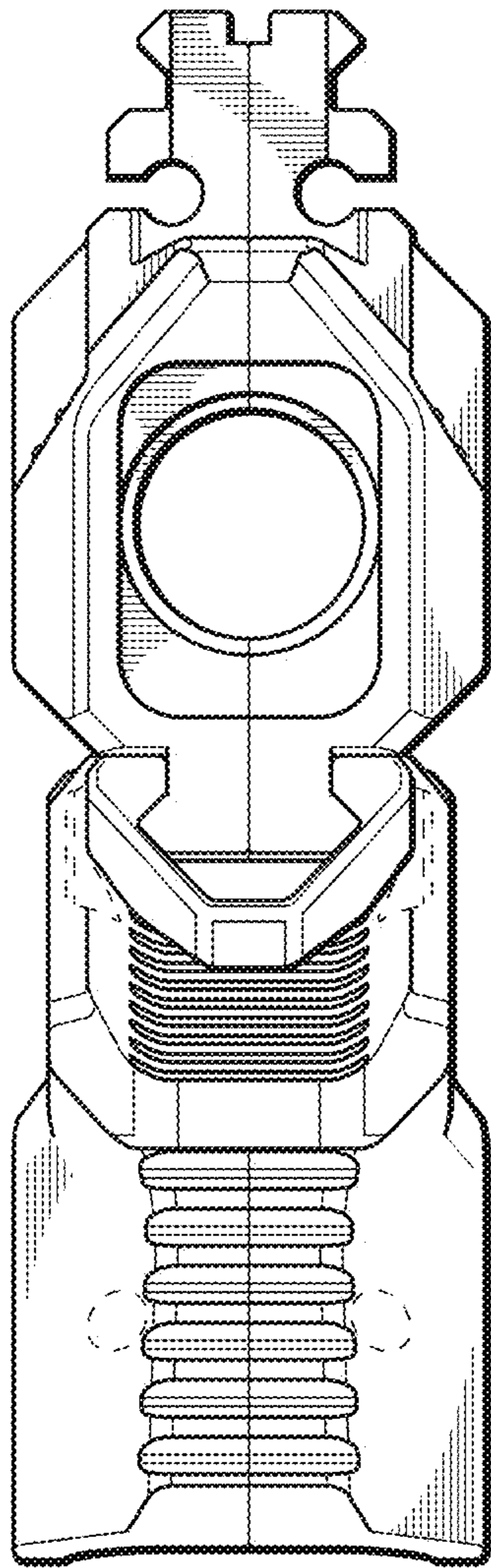


FIG. 2

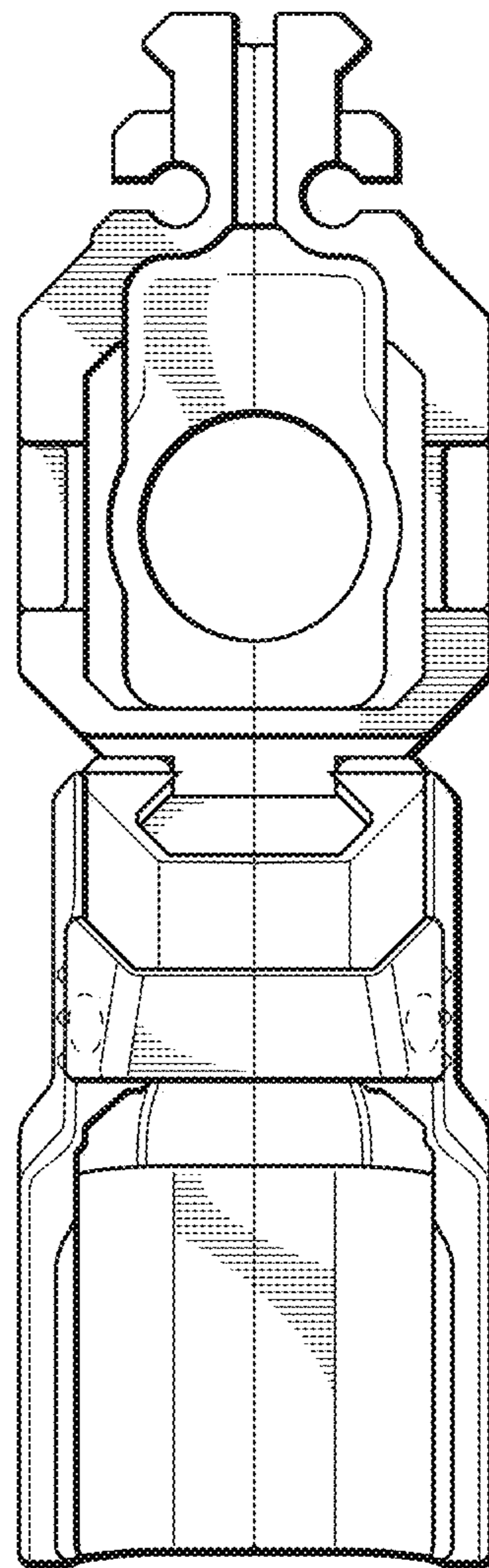


FIG. 3

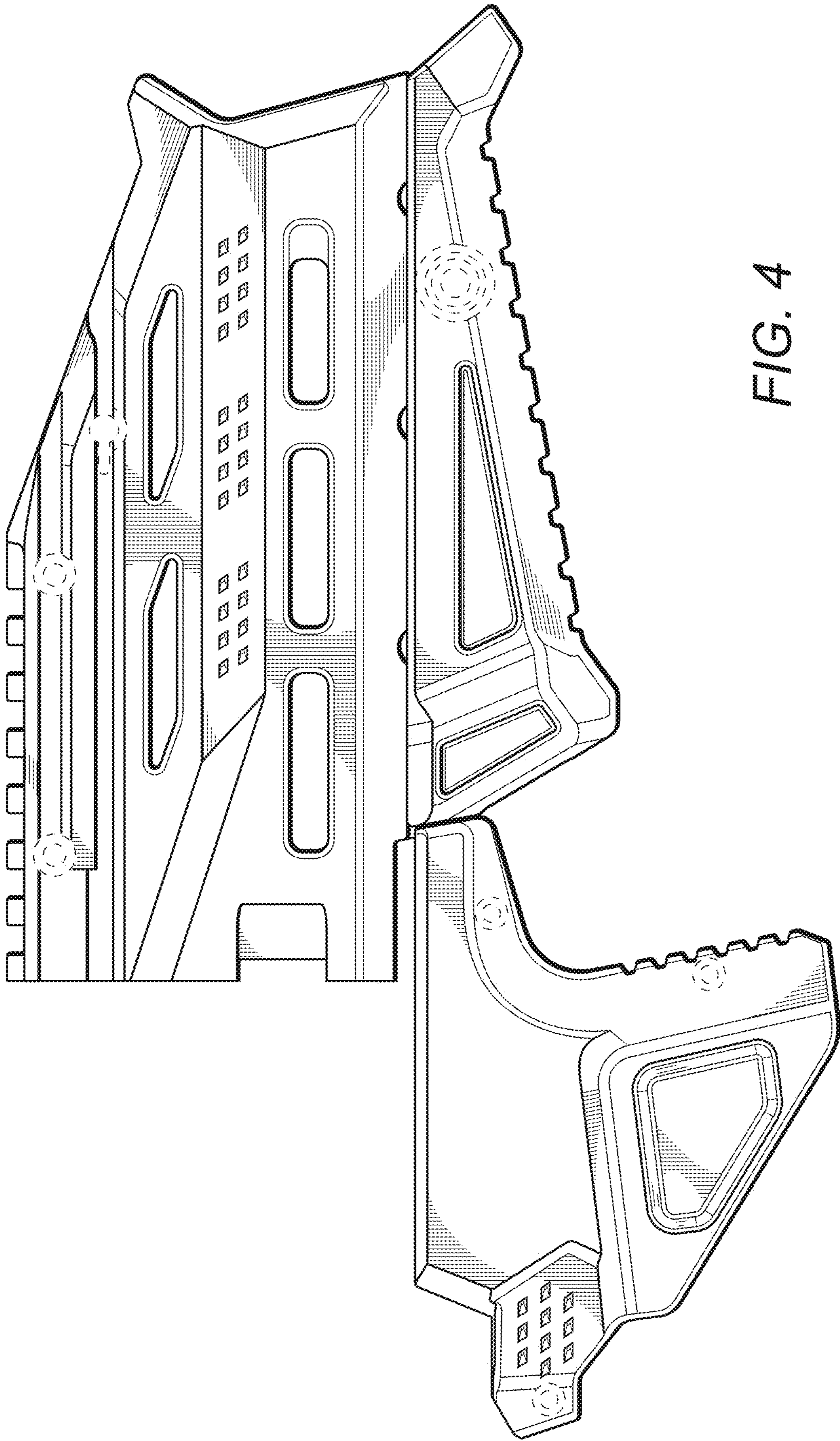


FIG. 4

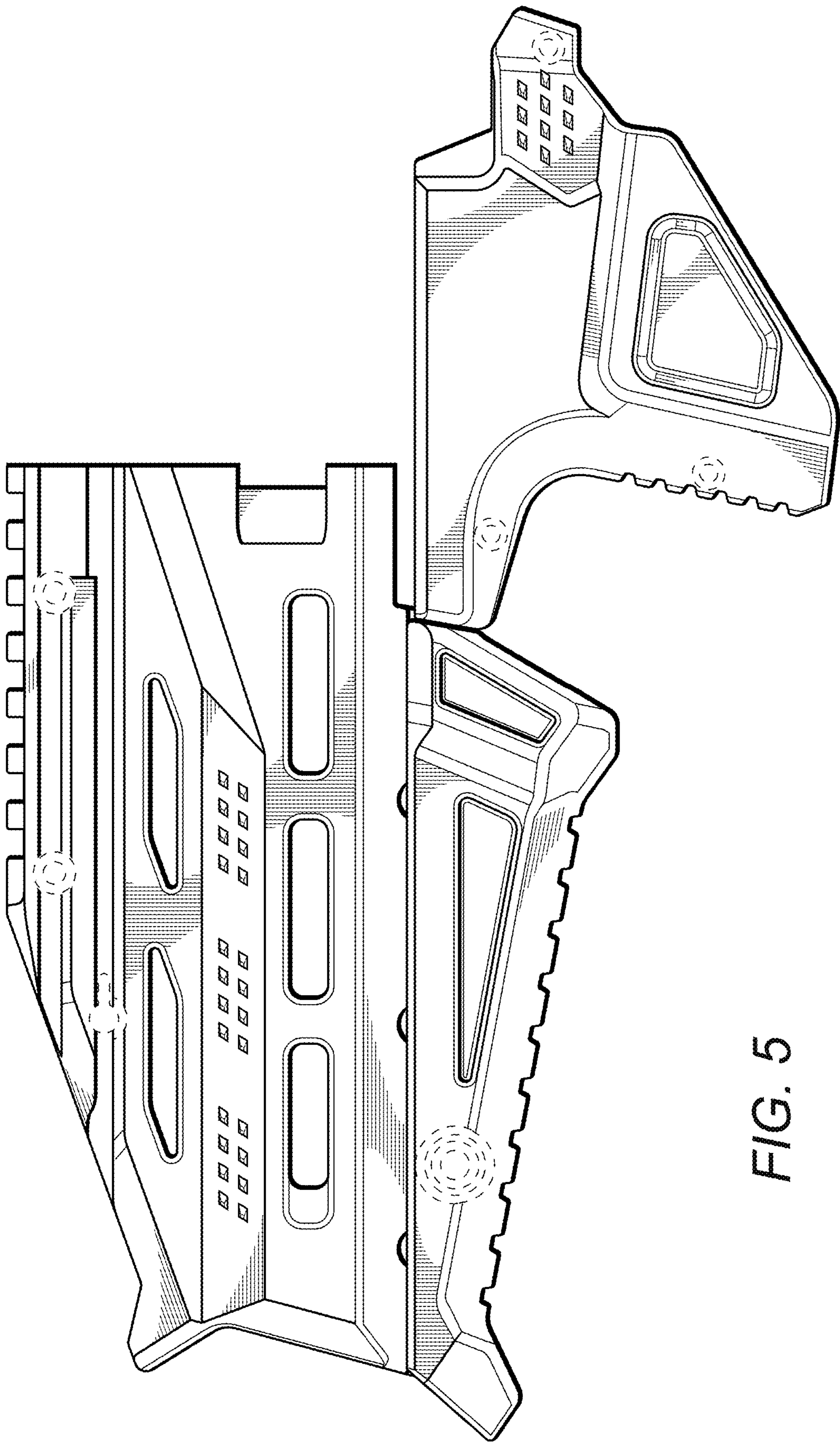


FIG. 5

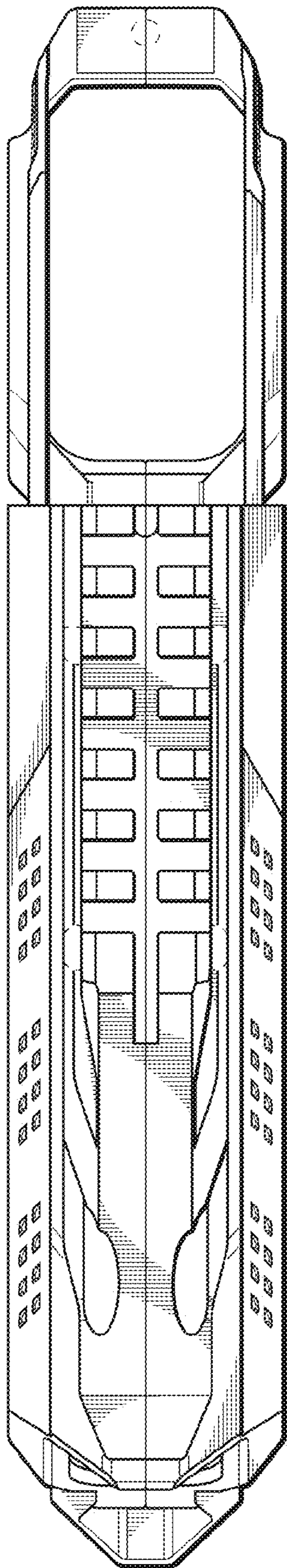


FIG. 6

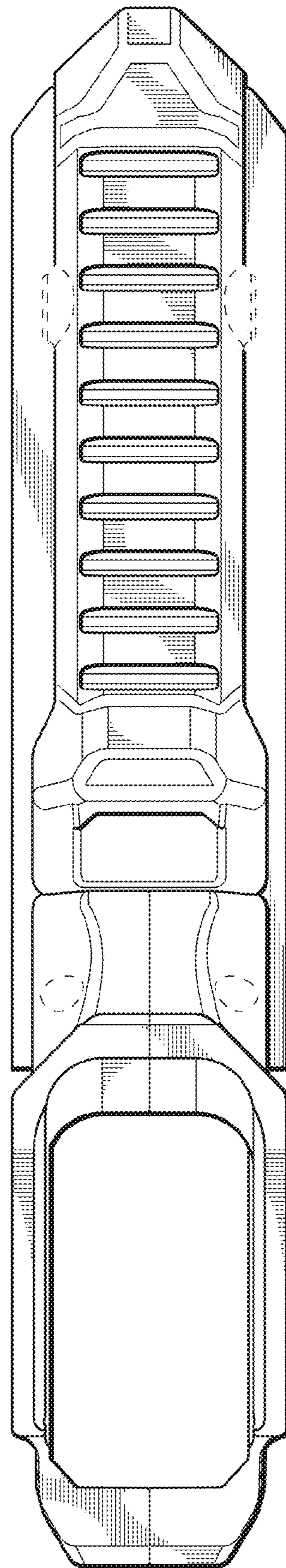


FIG. 7