



US00D888869S

(12) **United States Design Patent**
Chin

(10) **Patent No.:** **US D888,869 S**
(45) **Date of Patent:** **** Jun. 30, 2020**

(54) **FIREARM DUST COVER**

(71) Applicant: **David Chin**, Irvine, CA (US)

(72) Inventor: **David Chin**, Irvine, CA (US)

(**) Term: **15 Years**

(21) Appl. No.: **29/657,511**

(22) Filed: **Jul. 23, 2018**

(51) **LOC (12) Cl.** **22-01**

(52) **U.S. Cl.**

USPC **D22/108**

(58) **Field of Classification Search**

USPC D22/100, 101, 103, 104, 105, 108, 109,
D22/110, 111, 199; D21/567, 573, 574,
D21/575

CPC F41A 23/02; F41A 35/00; F41C 23/04;
F41C 23/12; F41C 27/22

See application file for complete search history.

(56) **References Cited**

U.S. PATENT DOCUMENTS

4,509,240	A *	4/1985	Tezuka	B25B 27/30 29/227
5,669,252	A *	9/1997	Bentley	F41A 17/44 42/70.04
5,918,401	A *	7/1999	Rowlands	F41A 35/02 42/14
8,448,363	B2 *	5/2013	Fagnoli	F41A 3/54 42/16
9,188,405	B2 *	11/2015	Hawley	F41A 35/02
9,341,429	B1 *	5/2016	Reavis	F41A 35/02
9,395,131	B1 *	7/2016	Clark	F41A 15/10
9,970,728	B1 *	5/2018	Huang	F41A 35/02
2003/0230020	A1 *	12/2003	Christiansen	F41A 17/44 42/1.05
2005/0016051	A1 *	1/2005	Fischbach	F41A 15/00 42/96

OTHER PUBLICATIONS

“Strike Industries Aluminum Ultimate Dust Cover (UDC)” [online]. Hrachya H. [Published on Oct. 30, 2017]. Retrieved from the Internet: <https://www.thefirearmblog.com/blog/2017/10/30/strike-industries-aluminum-ultimate-dust-cover-udc/>.*

“Strike Industries Releases Updated Flag Ultimate Dust Cover” [online]. Nathan S. [Published on Jan. 12, 2017]. Retrieved from the Internet: <https://www.thefirearmblog.com/blog/2017/01/12/strike-industries-releases-updated-flag-ultimate-dust-cover/>.*

* cited by examiner

Primary Examiner — Khawaja Anwar

Assistant Examiner — Mojtaba Tehrani

(74) *Attorney, Agent, or Firm* — Kafantaris Law Offices;
Theo Kafantaris

(57) **CLAIM**

I claim the ornamental design for a firearm dust cover, as shown and described.

DESCRIPTION

FIG. 1 is a front view of the firearm dust cover, showing my new design;
FIG. 2 is a top-front perspective view thereof;
FIG. 3 is a left side view thereof, the right side being a mirror image;
FIG. 4 is a top view thereof;
FIG. 5 is a rear view thereof; and,
FIG. 6 is a top-rear perspective view thereof.
The broken line in the drawings depicts unclaimed portion of the dust cover only and forms no part of the claimed design.

1 Claim, 2 Drawing Sheets

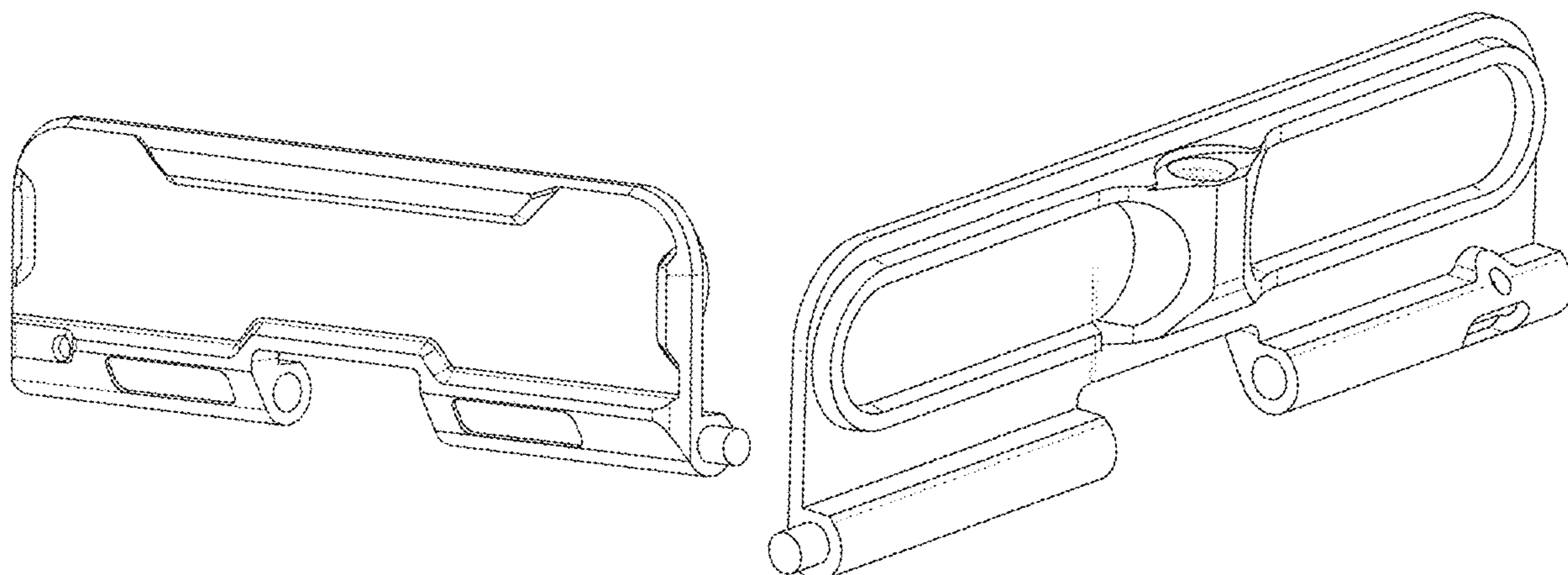


FIG. 1

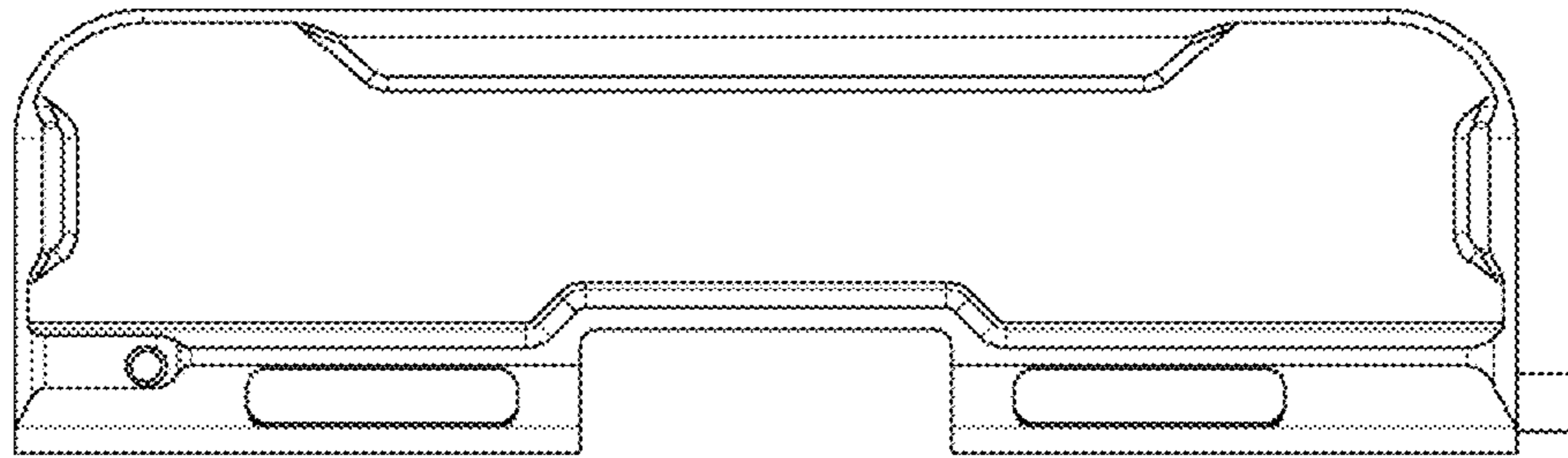


FIG. 2

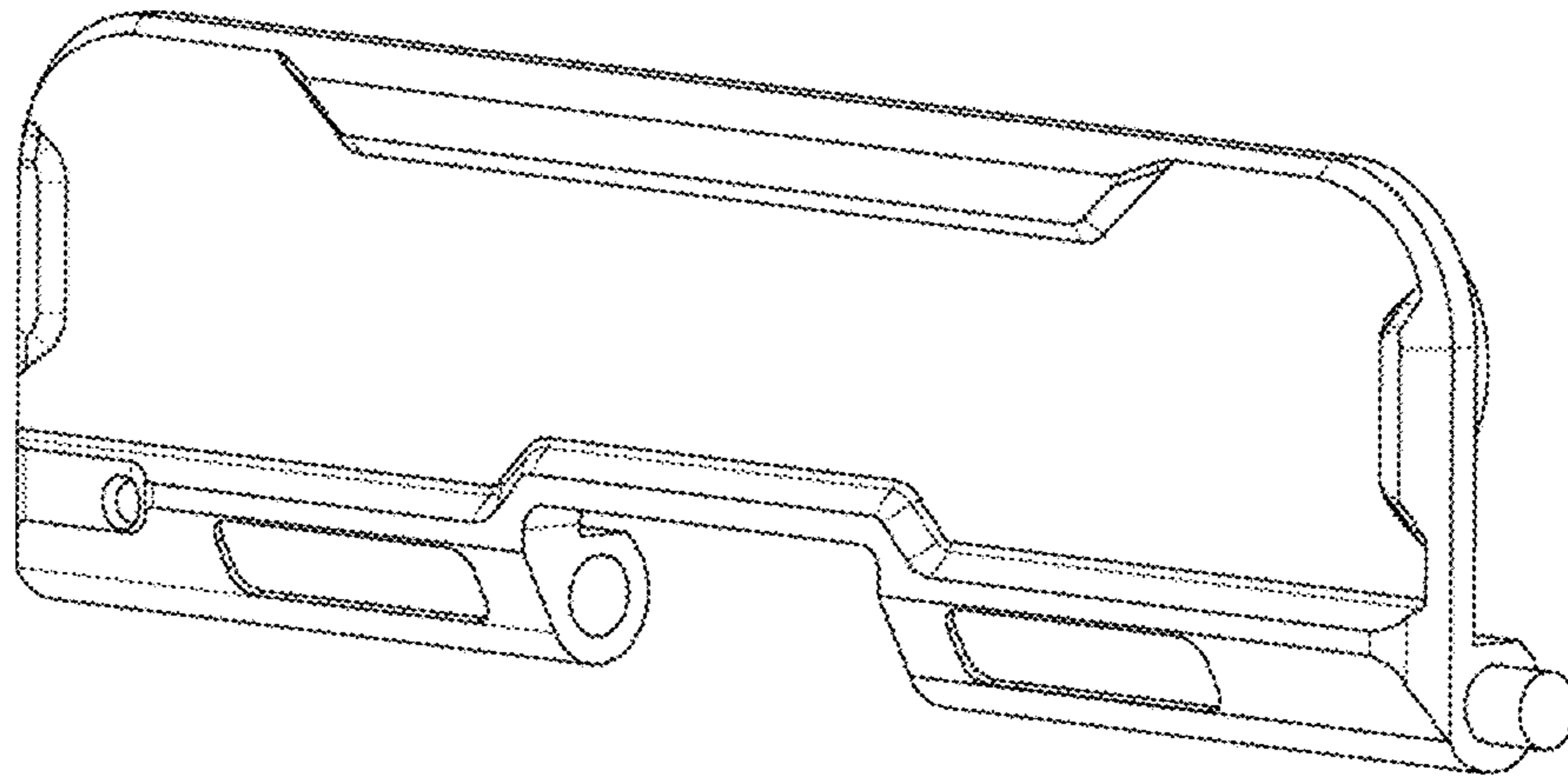


FIG. 3

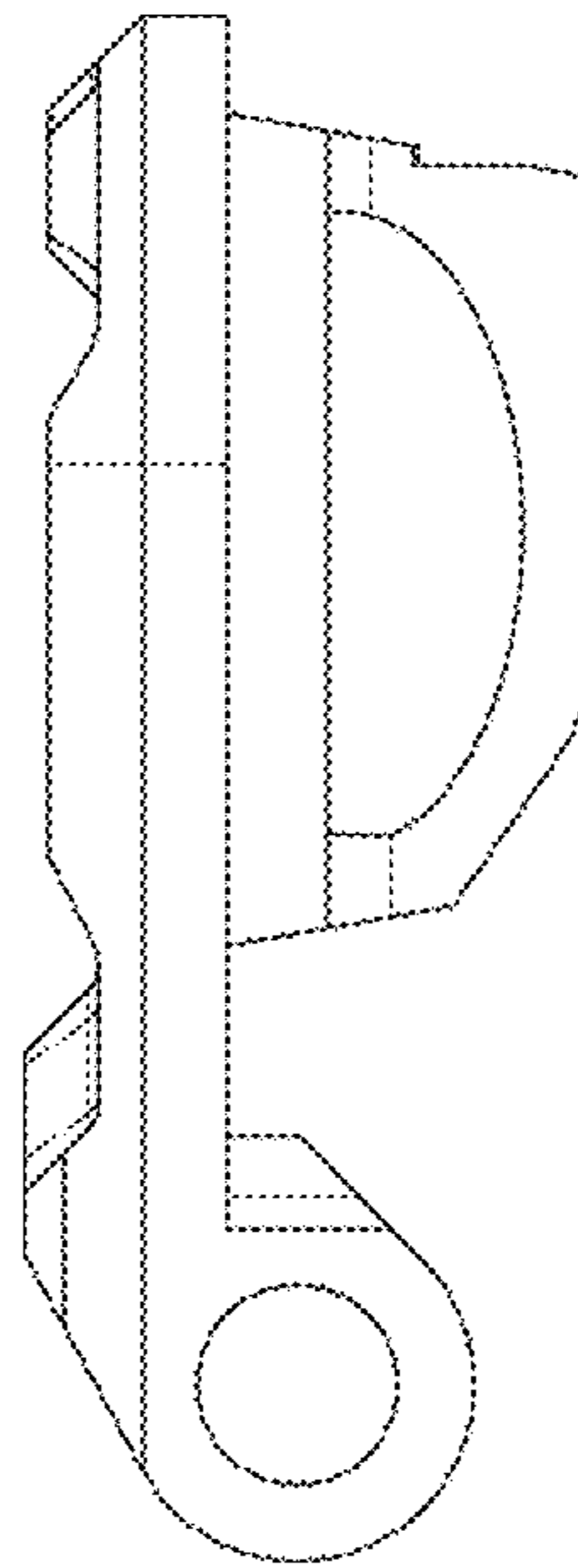


FIG. 4

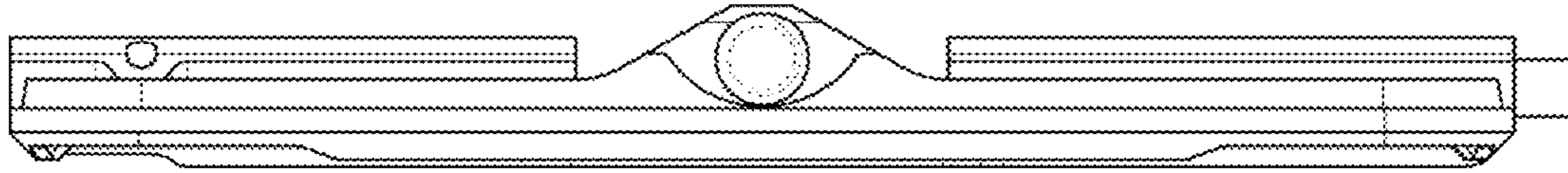


FIG. 5

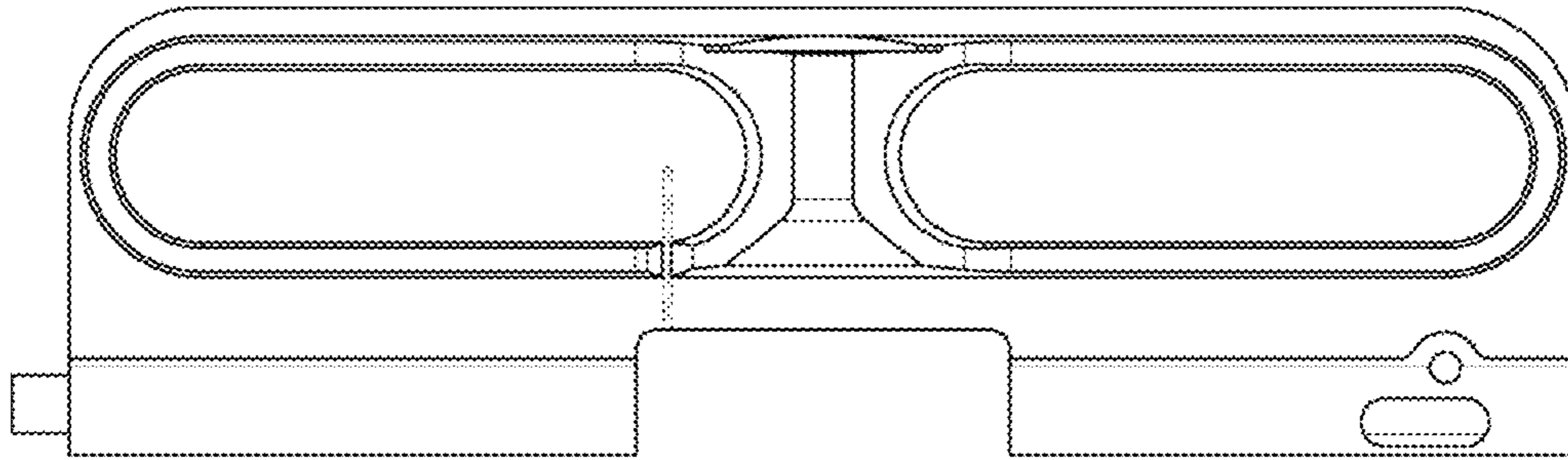


FIG. 6

