



US00D888868S

(12) **United States Design Patent**
Jenkinson et al.

(10) **Patent No.:** **US D888,868 S**
(45) **Date of Patent:** **** Jun. 30, 2020**

(54) **FIREARM STRUT TOOL**

FOREIGN PATENT DOCUMENTS

(71) Applicants: **Mark E Jenkinson**, Wilbraham, MA (US); **Fred J Holmes**, Wilbraham, MA (US)

WO WO-03104740 A1 * 12/2003 F41A 29/02

(72) Inventors: **Mark E Jenkinson**, Wilbraham, MA (US); **Fred J Holmes**, Wilbraham, MA (US)

OTHER PUBLICATIONS

Johnson, Steve, G&G AR-15 Bolt Cleaning Tool, posted at the Firearm Blog, posting date Oct. 3, 2011. Site visited Jan. 16, 2020. URL: <<https://www.thefirearmblog.com/blog/2011/10/03/gg-ar-15-bolt-cleaning-tool/>> (Year: 2011).*

(73) Assignee: **PRESENT ARMS, INC.**, Wilbraham, MA (US)

(Continued)

(**) Term: **15 Years**

Primary Examiner — Kevin K Rudzinski

Assistant Examiner — Kathleen L Jones

(21) Appl. No.: **29/638,118**

(74) *Attorney, Agent, or Firm* — Michael Petrin; Antero, Tormey and Petrin

(22) Filed: **Feb. 23, 2018**

(57) **CLAIM**

(51) **LOC (12) Cl.** **22-01**

We claim the ornamental design for a firearm strut tool, as shown and described.

(52) **U.S. Cl.**

USPC **D22/108**

(58) **Field of Classification Search**

DESCRIPTION

USPC D22/108, 199; D21/573; D8/17-19
CPC F41A 23/18; F41A 29/00; F41A 29/02;
F41A 29/04; F41A 31/02; B25J 11/0085
See application file for complete search history.

FIG. 1 is a top back perspective view of a first embodiment of a firearm strut tool, showing our new design;
FIG. 2 is a back side view thereof;
FIG. 3 is a front side view thereof;
FIG. 4 is a left side view thereof;
FIG. 5 is a right side view thereof;
FIG. 6 is a top view thereof;
FIG. 7 is a bottom view thereof; and
FIG. 8 is a top back perspective view of a second embodiment of the firearm strut tool, showing our new design.
FIG. 9 is a back view thereof;
FIG. 10 is a front view thereof;
FIG. 11 is a left side view thereof;
FIG. 12 is a right side view thereof;
FIG. 13 is a top view thereof; and,
FIG. 14 is a bottom view thereof.

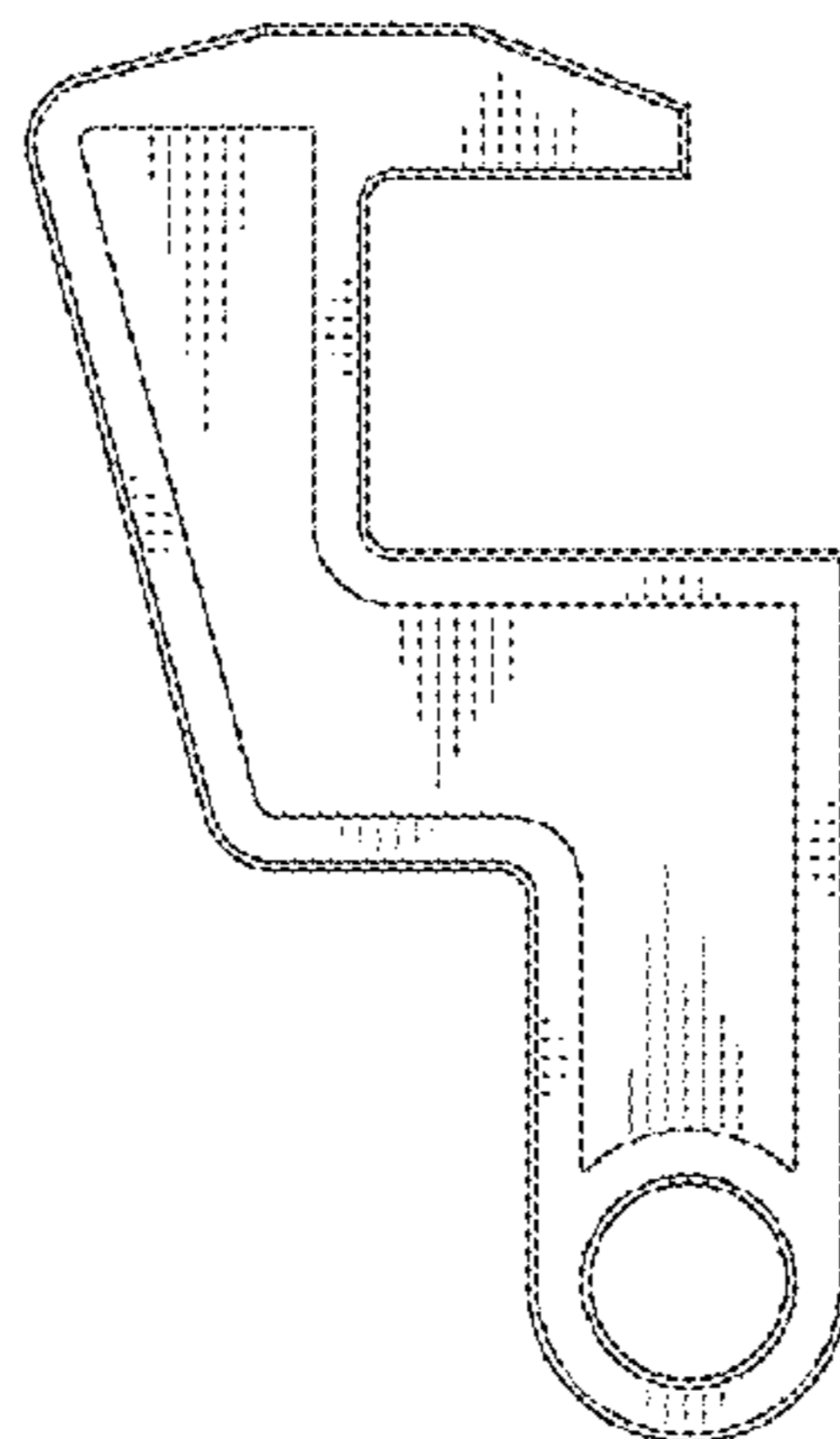
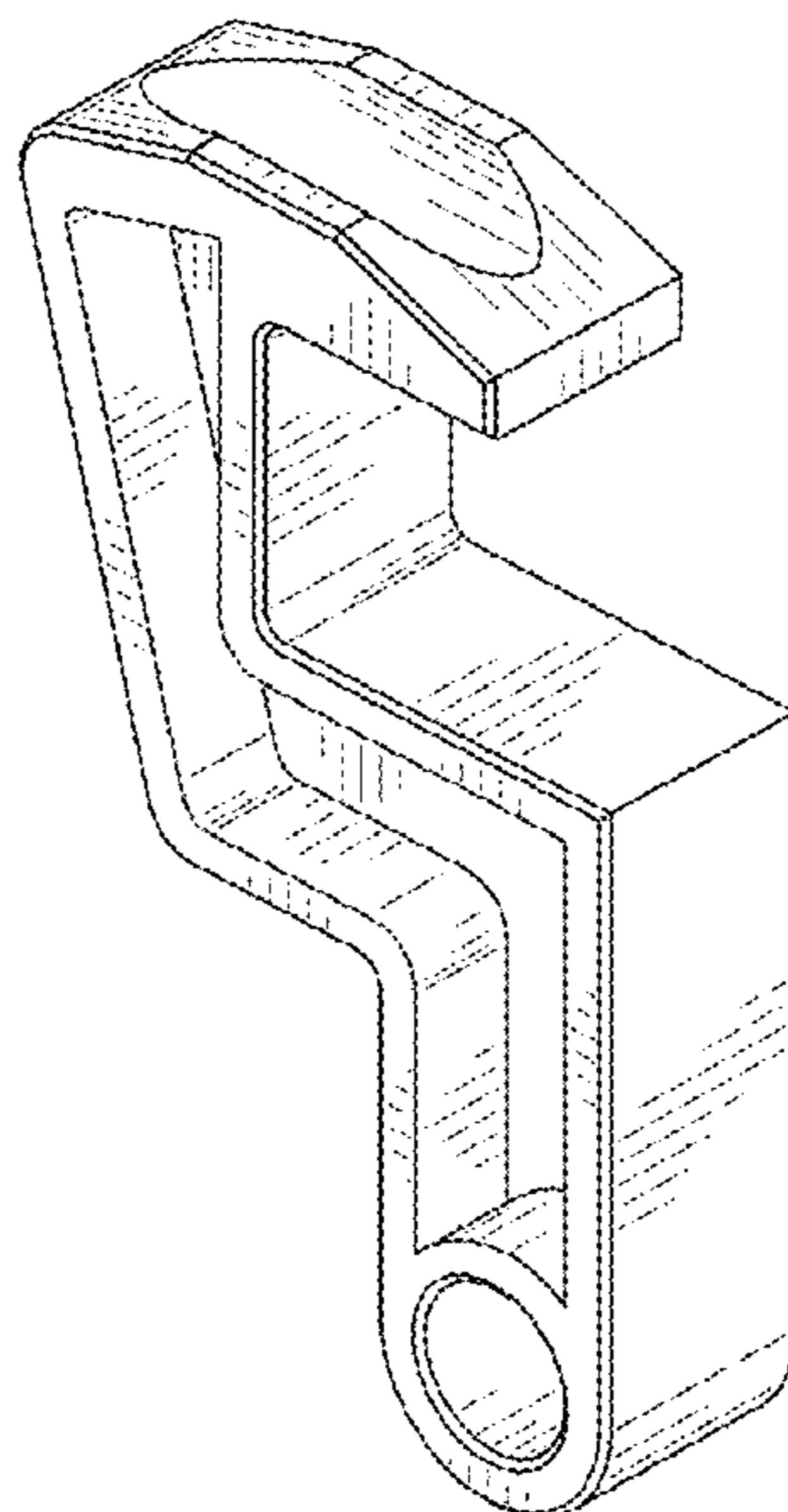
(56) **References Cited**

U.S. PATENT DOCUMENTS

D223,024 S *	2/1972	Thomas	D12/159
D276,304 S *	11/1984	DiFede	81/3.55
D296,411 S *	6/1988	Madsen	D8/18
D304,992 S *	12/1989	Matthies	D8/40
D369,581 S *	5/1996	McCoy	D12/162
D369,582 S *	5/1996	McCoy	D12/162
D382,453 S *	8/1997	Drinkwater	D8/18
D425,598 S *	5/2000	Langner	D22/100
D472,189 S *	3/2003	McCoy	D12/162
D475,327 S *	6/2003	McCoy	D12/162
D491,621 S *	6/2004	Sirkis	D22/108

(Continued)

1 Claim, 8 Drawing Sheets



(56)

References Cited

U.S. PATENT DOCUMENTS

D496,887 S * 10/2004 Carlson D12/159
 D501,773 S * 2/2005 Kohn D8/18
 D661,769 S * 6/2012 Geissele D22/108
 D686,686 S * 7/2013 Dueck D22/108
 D686,687 S * 7/2013 Dueck D22/108
 D717,905 S * 11/2014 Prince D22/108
 D732,913 S * 6/2015 Lozano D8/18
 D741,958 S * 10/2015 Coulter D21/573
 9,200,861 B1 * 12/2015 Kim B08B 9/049
 9,528,787 B1 * 12/2016 Ashley F41A 3/72
 D777,286 S * 1/2017 Weigand D22/108
 D805,868 S * 12/2017 Seiders D8/40
 D817,436 S * 5/2018 Bender D22/108
 D821,531 S * 6/2018 Hensley D22/108
 D838,334 S * 1/2019 Fu D22/108
 D839,377 S * 1/2019 Cheng D22/108
 D854,836 S * 7/2019 Harrell D4/116
 10,337,827 B1 * 7/2019 Holmes F41C 27/00
 D868,198 S * 11/2019 Geissele D22/108
 D872,216 S * 1/2020 Geissele D22/108
 2007/0051236 A1 * 3/2007 Groves F41A 17/16
 89/142

2015/0153129 A1* 6/2015 Marvin F41A 29/02
 42/95
 2015/0377578 A1* 12/2015 Tucker F41A 23/18
 248/309.4
 2016/0010941 A1* 1/2016 Calbi F41A 29/02
 42/95

OTHER PUBLICATIONS

Present Arms—New Product ARHook ad, posted at American Shooting Journal, posting date May 3, 2018. Site visited Jan. 15, 2020. URL: <<http://americanshootingjournal.com/nra-gear/present-arms-new-product-arhook-ad/>> (Year: 2018).*

Pete, TFB's 2nd Day of Christmas: Tools, posted at The Firearm Blog, posting date Dec. 14, 2016. Site visited Jan. 16, 2020. URL: <<https://www.thefirearmblog.com/blog/2016/12/14/tfb-christmas-tools/>> (Year: 2016).*

Sinclair AR-15 Rod Guide and Link Kit, posted at Sinclair Intl, review posted Feb. 6, 2013. Site visited Jan. 16, 2020. URL: <<https://www.sinclairintl.com/gun-cleaning/ar-15-cleaning/sinclair-ar-15-rod-guide-and-link-kit-prod33967.aspx>> (Year: 2013).*

* cited by examiner

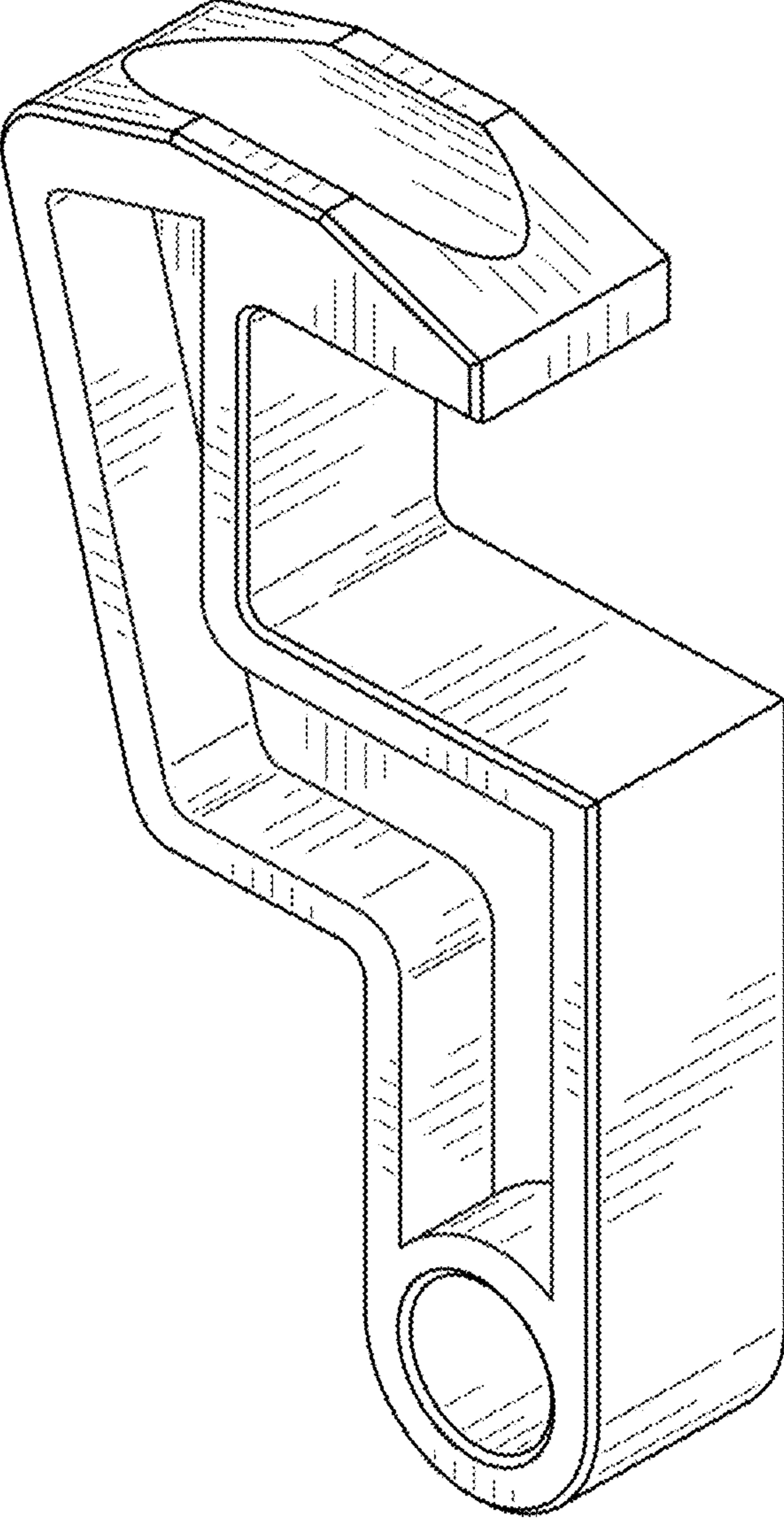


FIG. 1

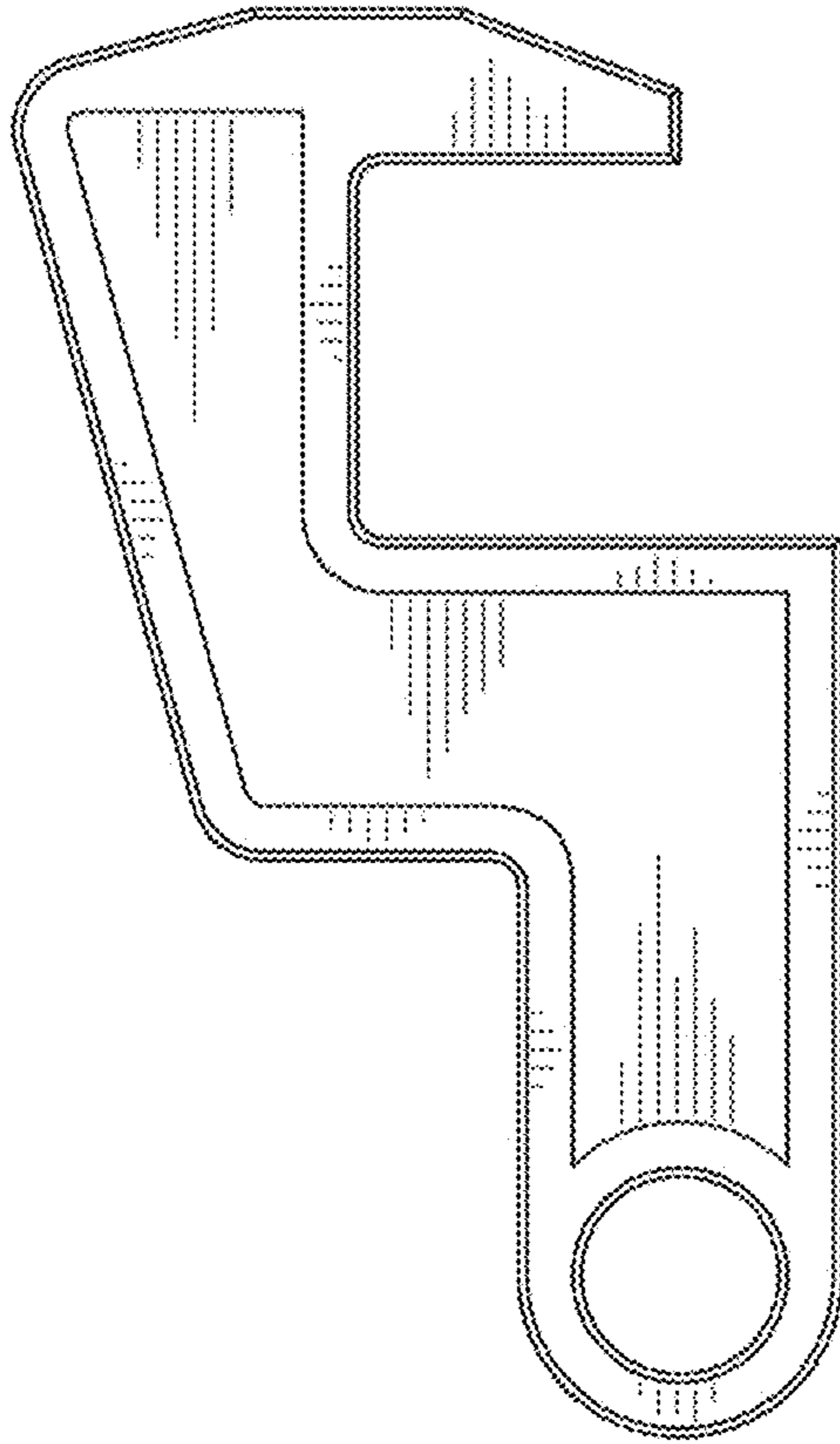


FIG. 2

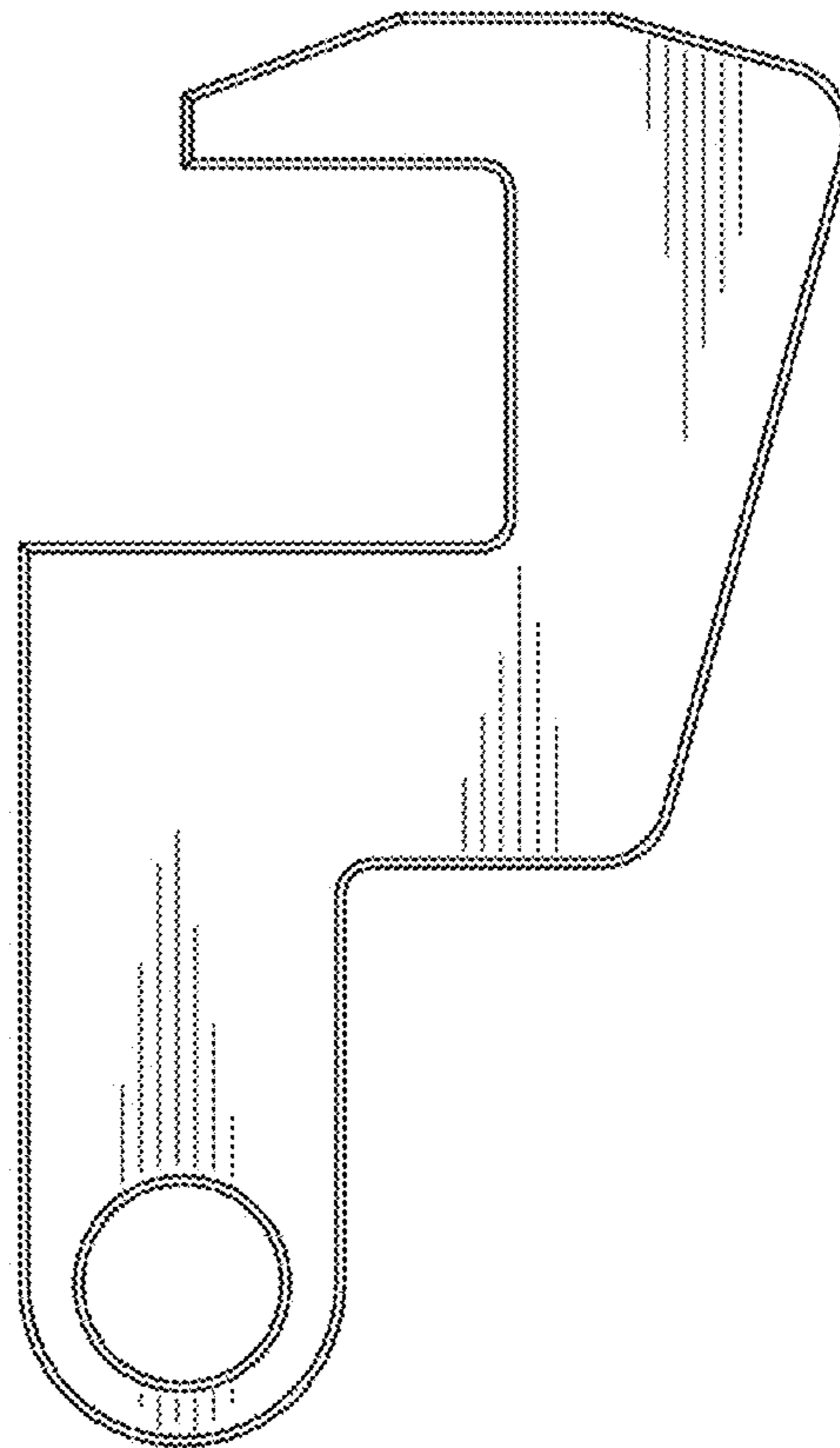


FIG. 3

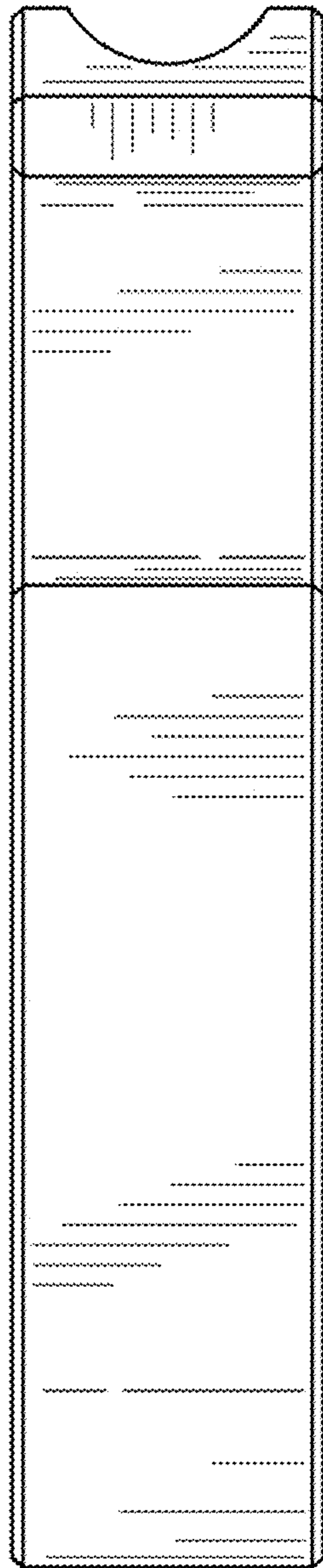


FIG. 4

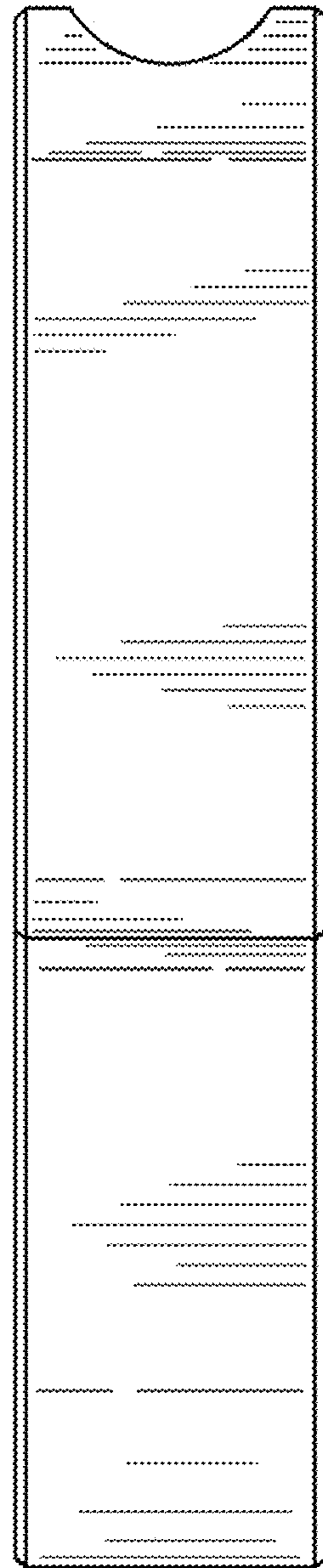


FIG. 5

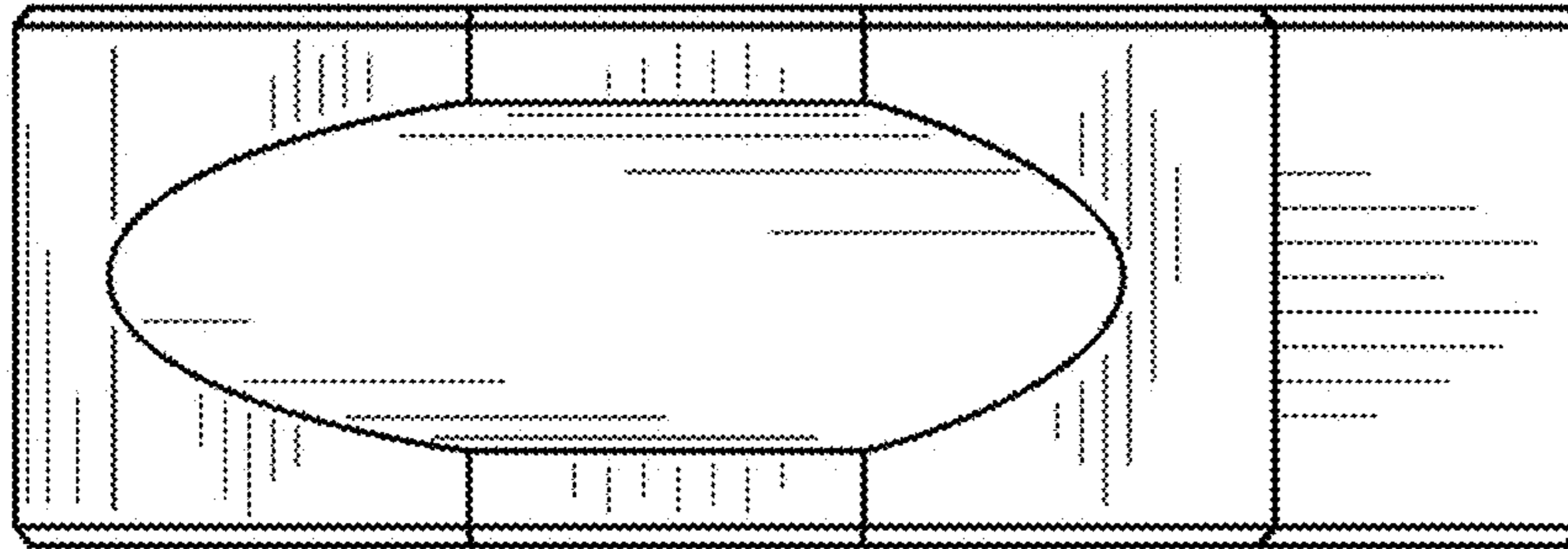


FIG. 6

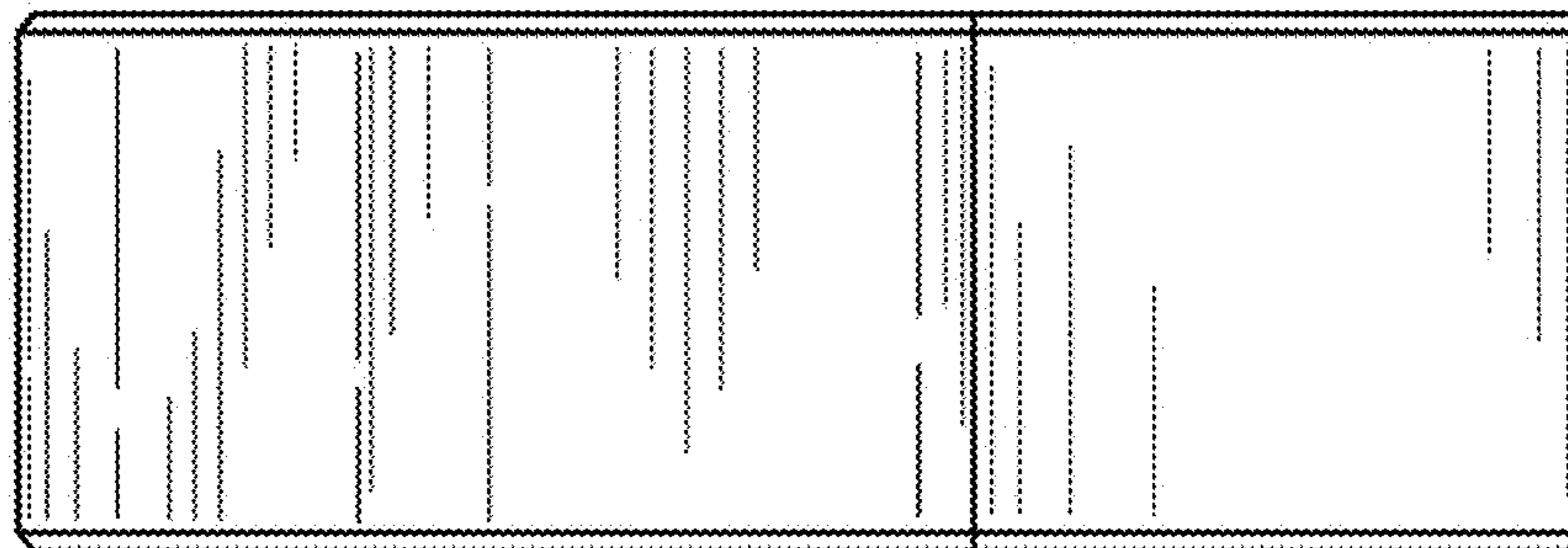


FIG. 7

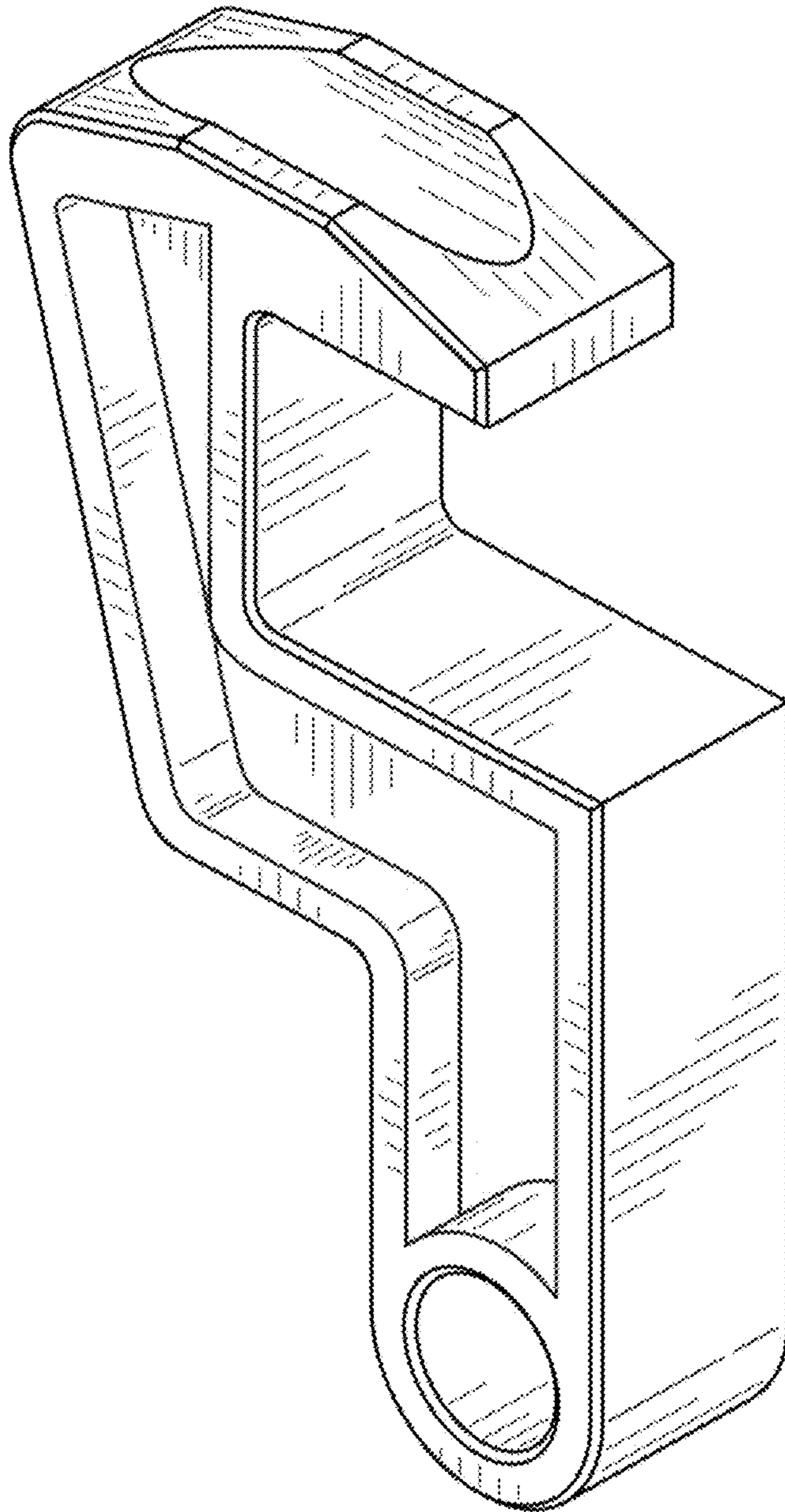


FIG. 8

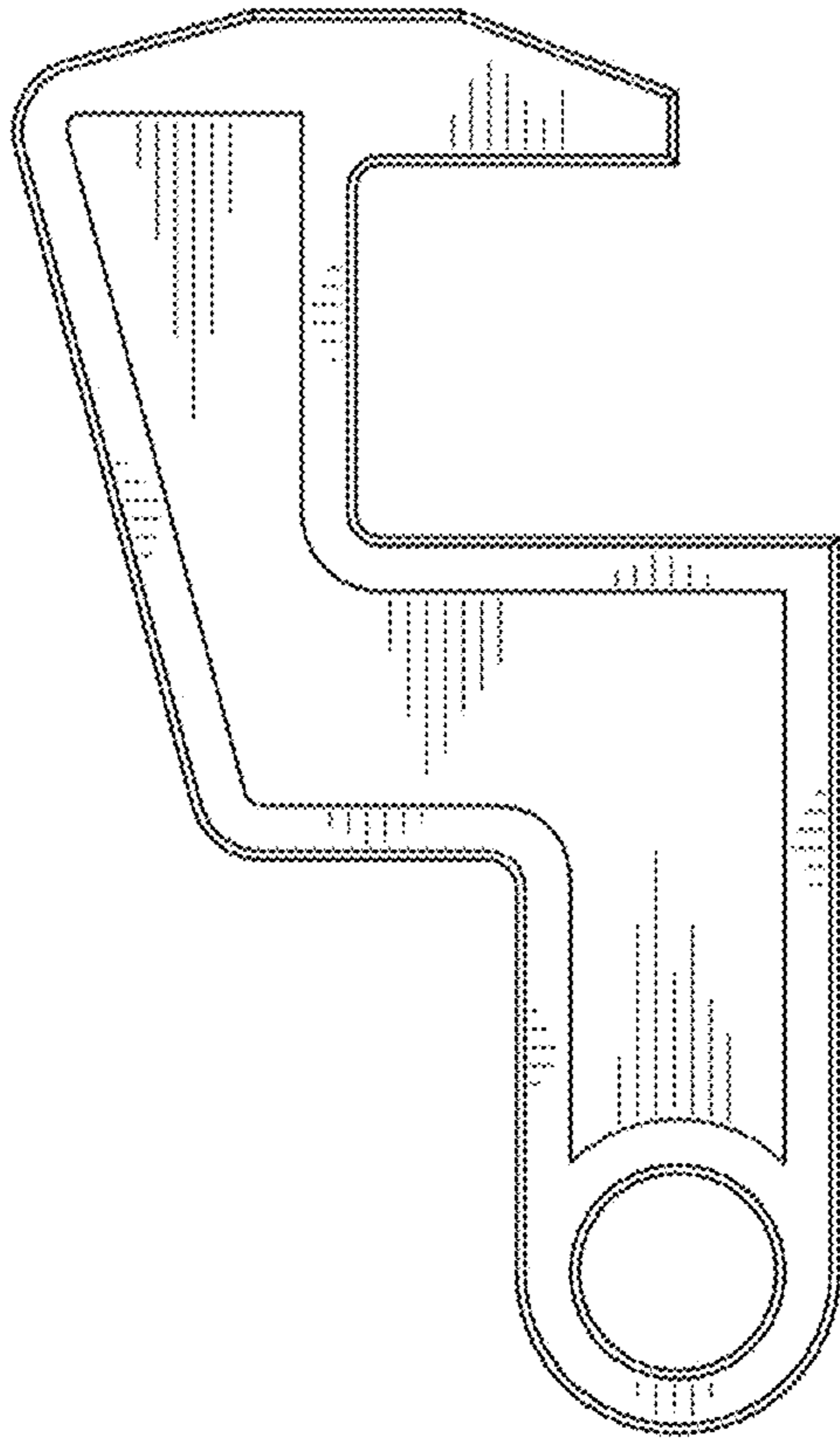


FIG. 9

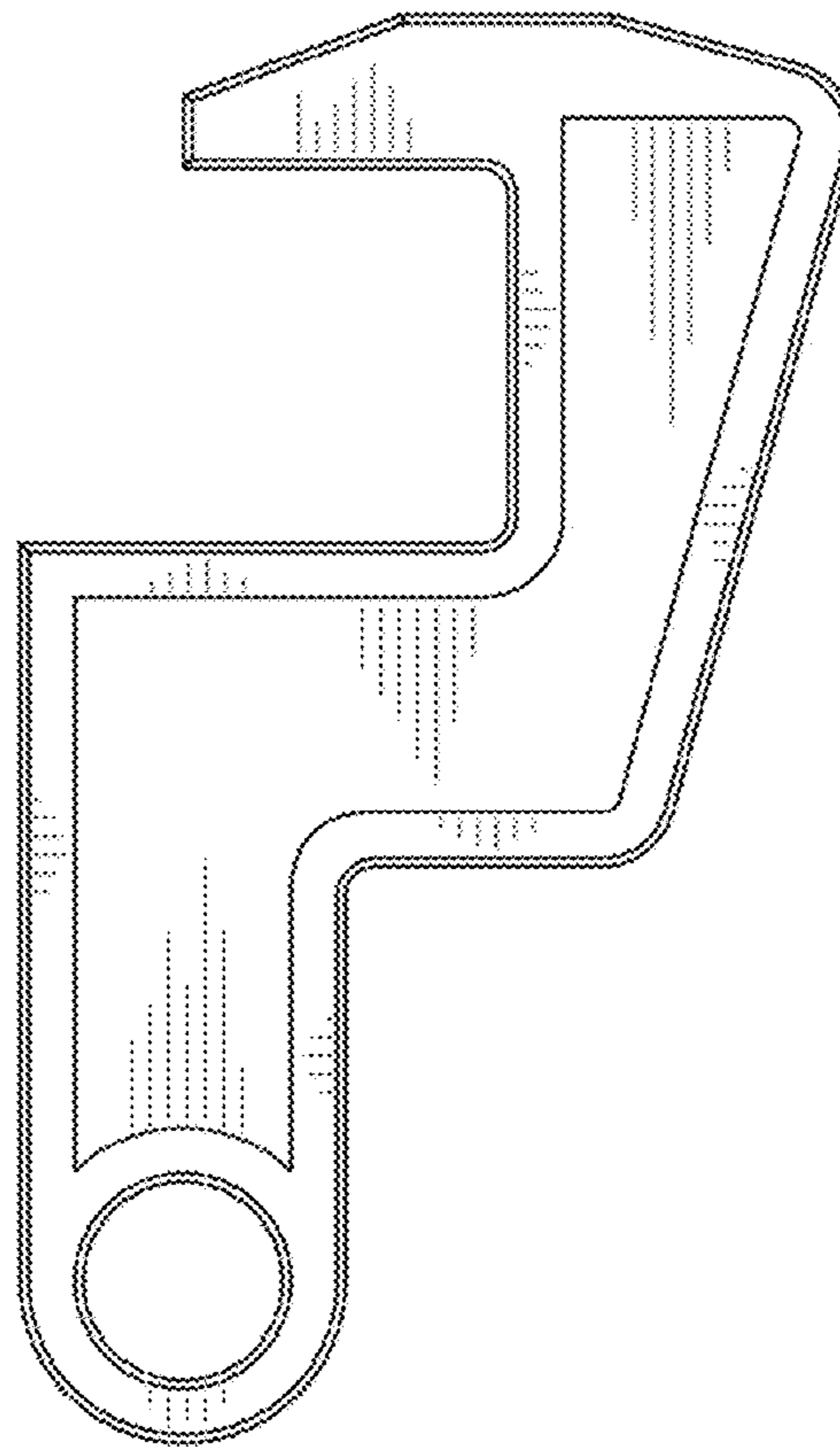


FIG. 10

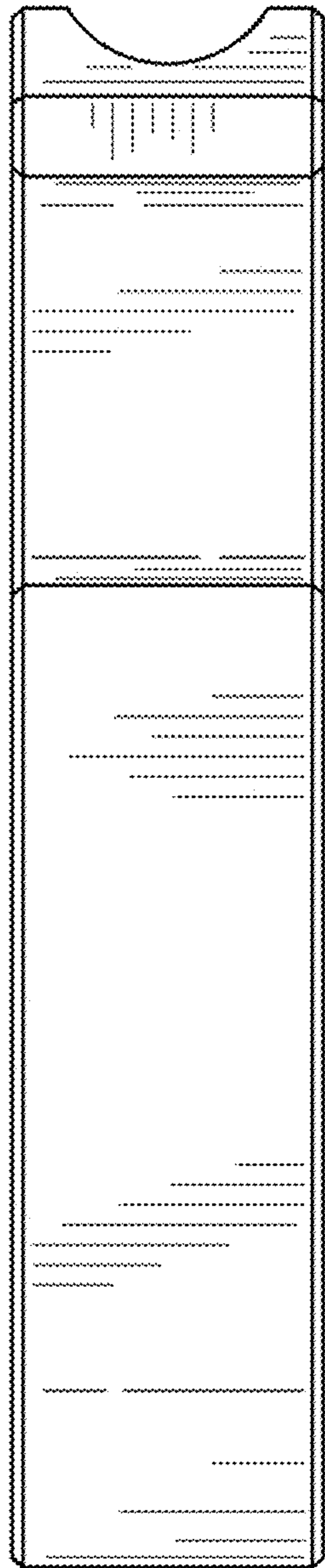


FIG. 11

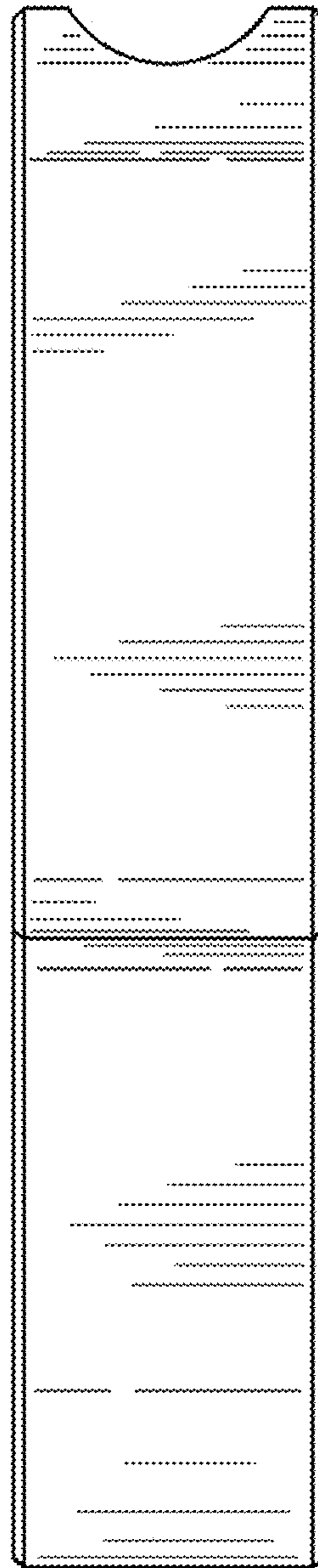


FIG. 12

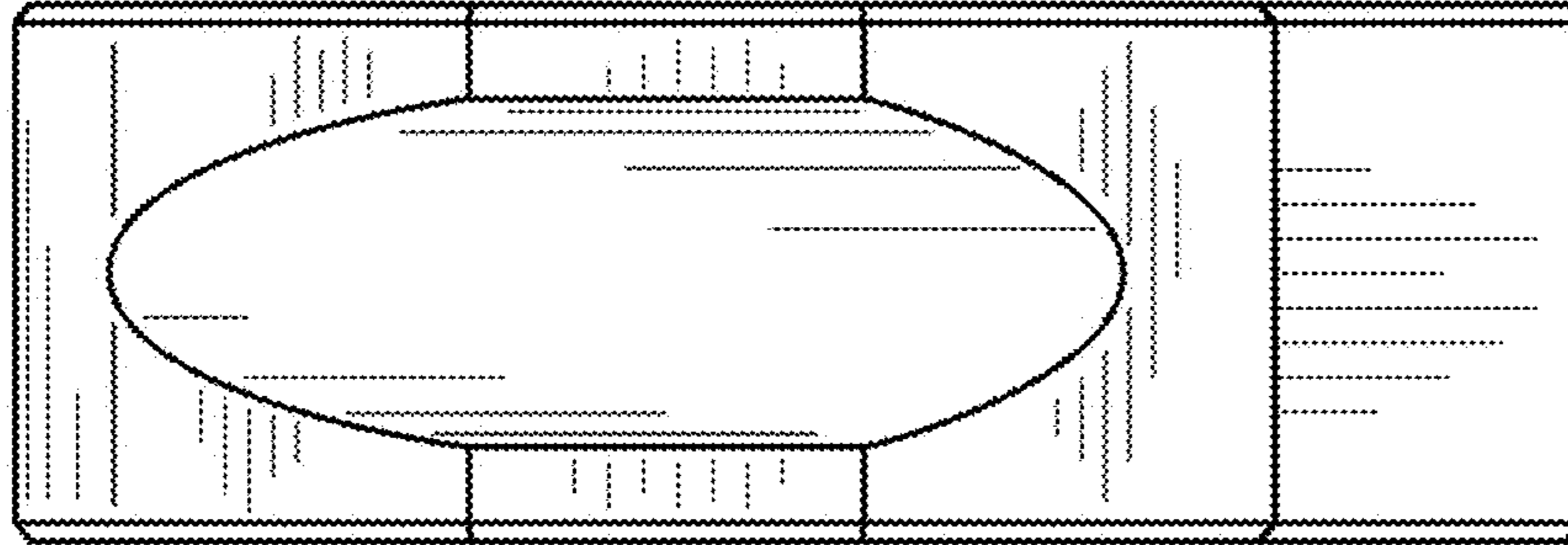


FIG. 13

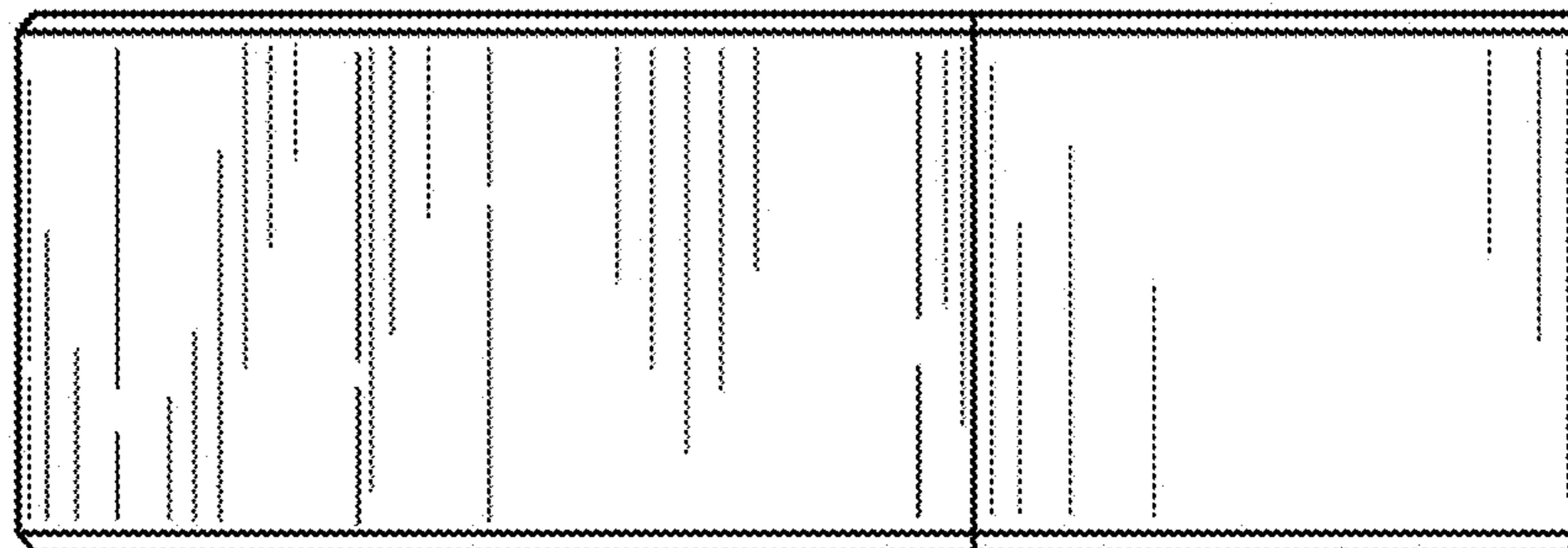


FIG. 14