



US00D888866S

(12) **United States Design Patent**  
**Kitts**

(10) **Patent No.:** **US D888,866 S**

(45) **Date of Patent:** **\*\* Jun. 30, 2020**

(54) **OVER FIT PIN BUSHING FOR ARCHERY NOCK**

(71) Applicant: **Randy Kitts**, Ball Ground, GA (US)

(72) Inventor: **Randy Kitts**, Ball Ground, GA (US)

(\*\*) Term: **15 Years**

(21) Appl. No.: **29/687,932**

(22) Filed: **Apr. 17, 2019**

(51) **LOC (12) Cl.** ..... **22-01**

(52) **U.S. Cl.**  
USPC ..... **D22/107**

(58) **Field of Classification Search**  
USPC ..... D22/102, 106, 107, 115, 117, 199;  
D21/387, 567, 570, 571, 746  
CPC .. F42B 6/08; F42B 6/04; F42B 12/362; A61F  
2002/30306; A61F 2230/0097  
See application file for complete search history.

(56) **References Cited**

**U.S. PATENT DOCUMENTS**

- 3,168,313 A \* 2/1965 Lint ..... F42B 6/08  
473/582
- 4,943,067 A \* 7/1990 Saunders ..... F42B 6/04  
403/13
- D436,643 S \* 1/2001 Sims ..... D22/107
- D439,630 S \* 3/2001 Ellington ..... D22/199
- D483,432 S \* 12/2003 Parsons ..... D22/117
- D486,879 S \* 2/2004 Powell ..... D22/199
- D659,218 S \* 5/2012 Palomaki ..... D22/107
- D662,565 S \* 6/2012 Burt ..... D22/107
- 8,449,414 B2 \* 5/2013 Donahoe ..... F42B 6/08  
473/582
- D716,900 S \* 11/2014 Boretto ..... D22/107
- D766,396 S \* 9/2016 Scull ..... D22/108
- 9,470,488 B2 \* 10/2016 Motz ..... F42B 12/34

- D840,489 S \* 2/2019 Greenwood ..... D22/107
- D841,108 S \* 2/2019 Greenwood ..... D22/107
- 2007/0082767 A1 \* 4/2007 Smith ..... F42B 6/08  
473/582
- 2009/0163308 A1 \* 6/2009 Odabachian ..... F42B 6/08  
473/582

**FOREIGN PATENT DOCUMENTS**

WO WO96/21135 7/1996

**OTHER PUBLICATIONS**

“GPP Archery Pin Nock Bushing Arrow L Pin Nock Set for ID .166 .244 Inches Arrow Shaft” [online]. amazon.com. [Retrieved on Apr. 24, 2020]. Retrieved from the Internet: <<https://www.amazon.com/GPP-Archery-Bushing-Arrow-Inches/dp/B07P84QLV5>>.\*

\* cited by examiner

*Primary Examiner* — Khawaja Anwar

*Assistant Examiner* — Mojtaba Tehrani

(74) *Attorney, Agent, or Firm* — Donald J. Ersler

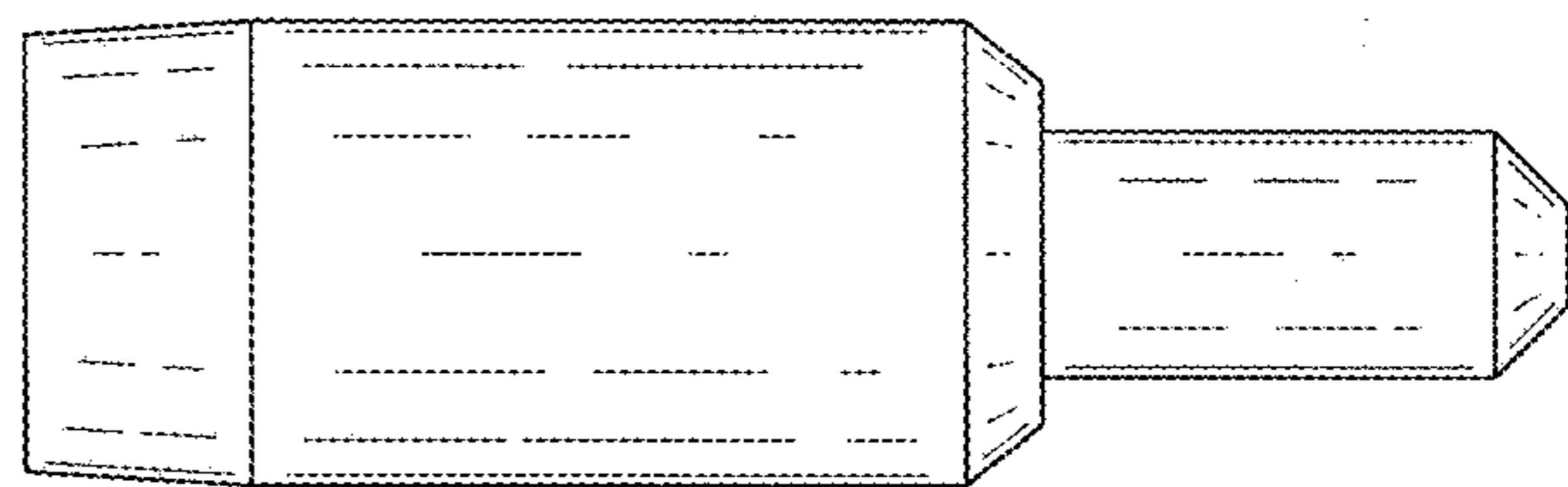
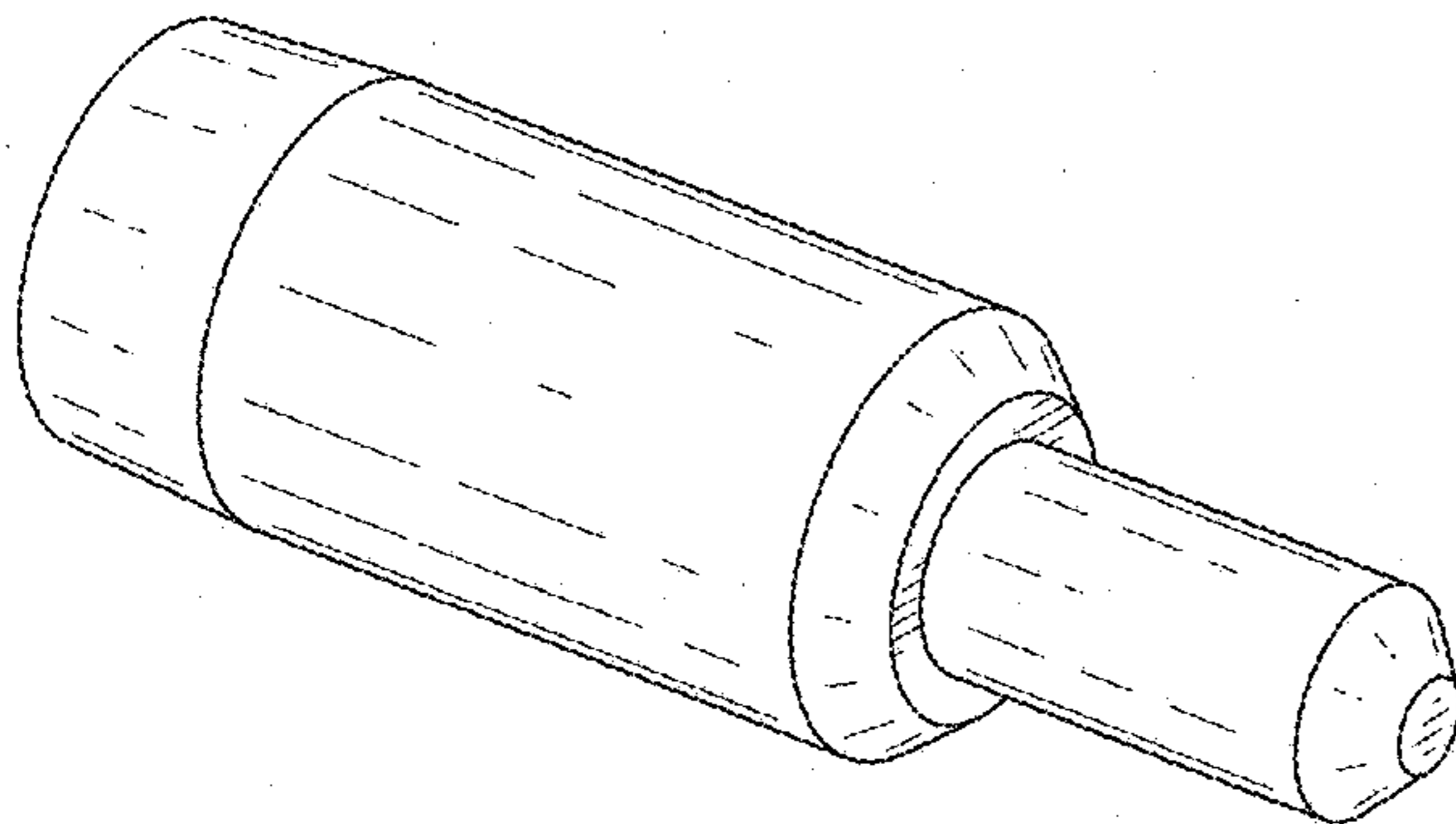
(57) **CLAIM**

The ornamental design for an over fit pin bushing for archery nock, as shown and described.

**DESCRIPTION**

FIG. 1 is a front perspective view of an over fit pin bushing for archery nock incorporating my new design; FIG. 2 is a rear perspective view thereof; FIG. 3 is a side view thereof; FIG. 4 is a front elevation view thereof; and, FIG. 5 is a rear elevation view thereof.

**1 Claim, 2 Drawing Sheets**



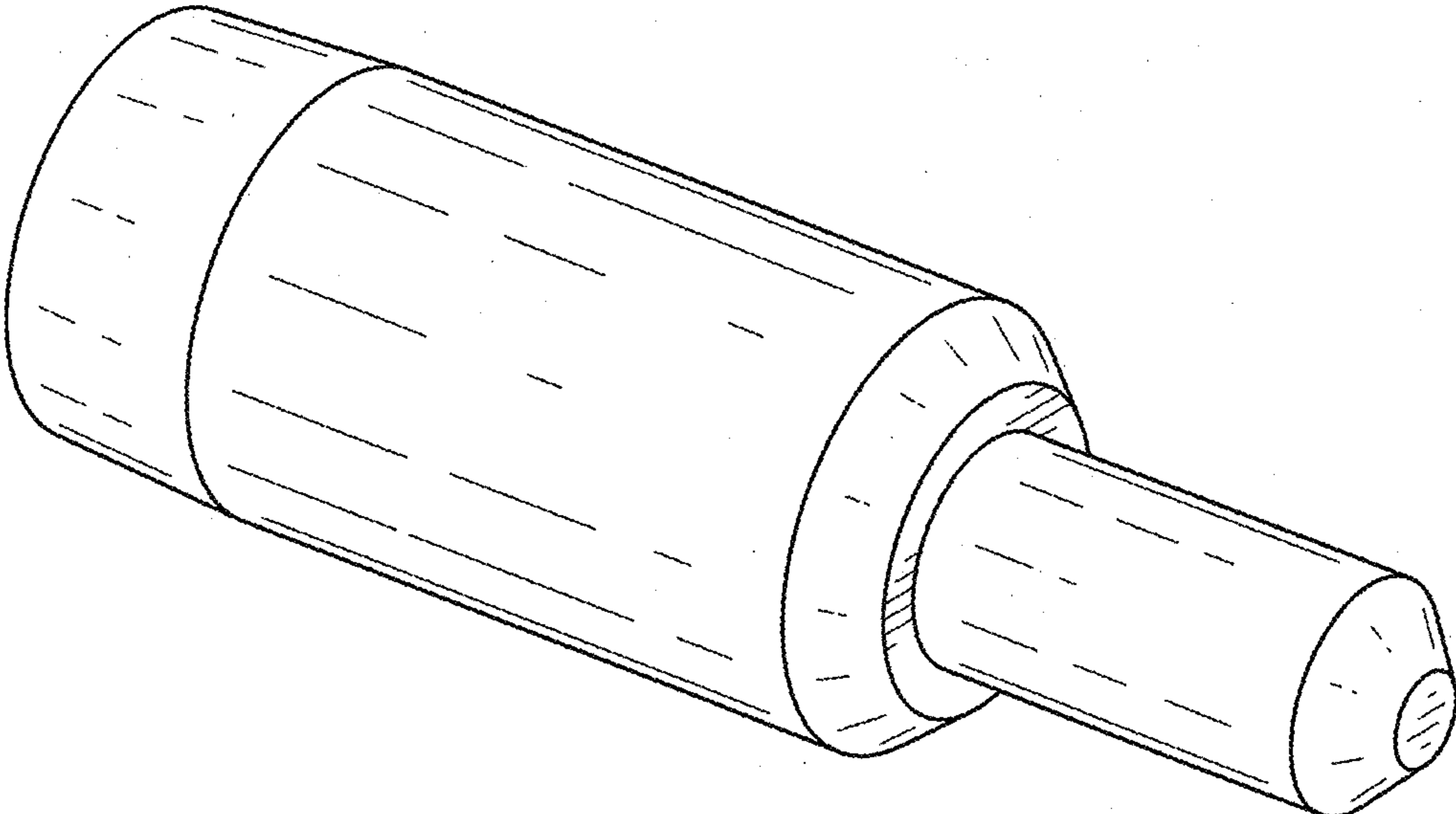


FIG. 1

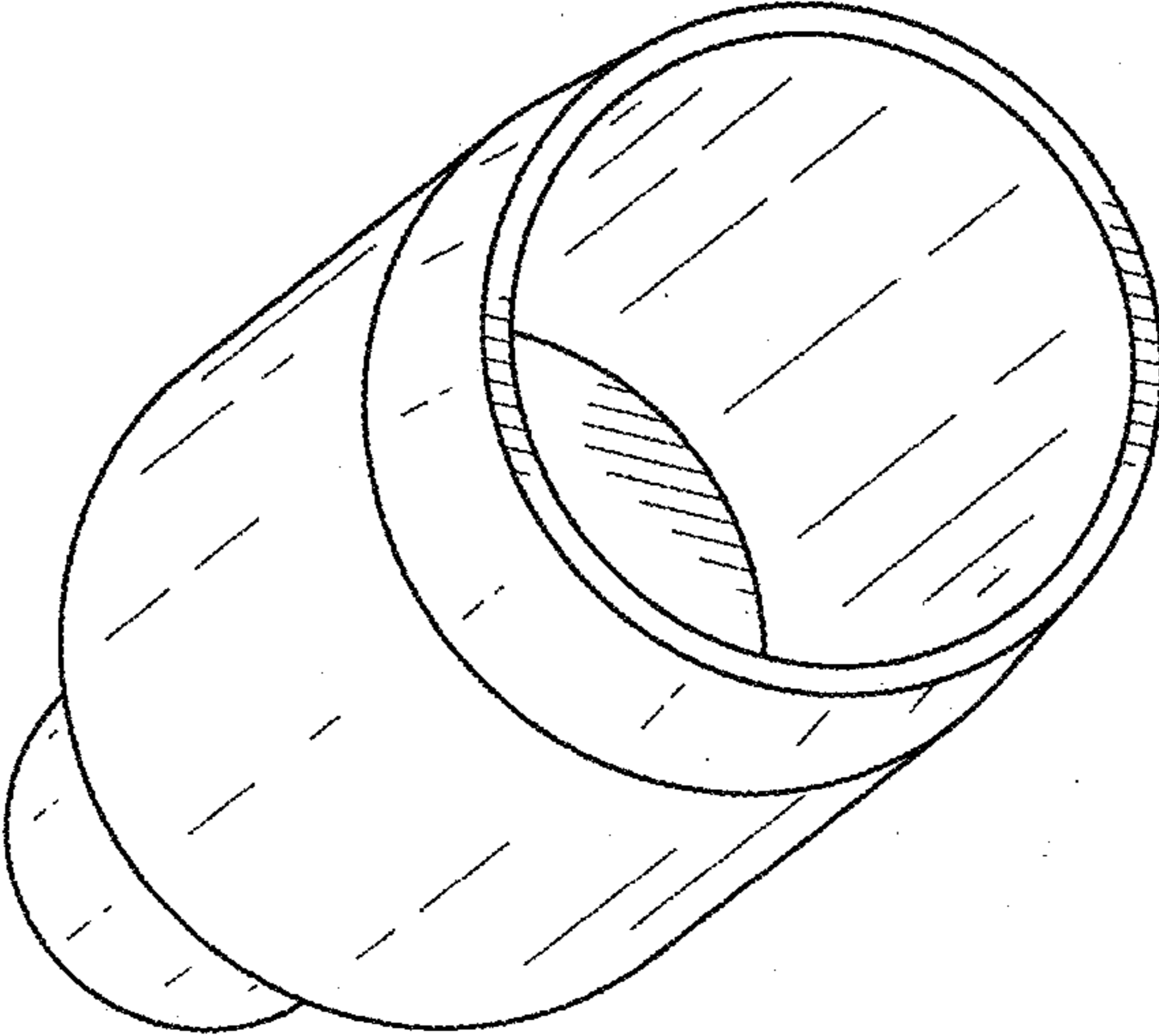


FIG. 2

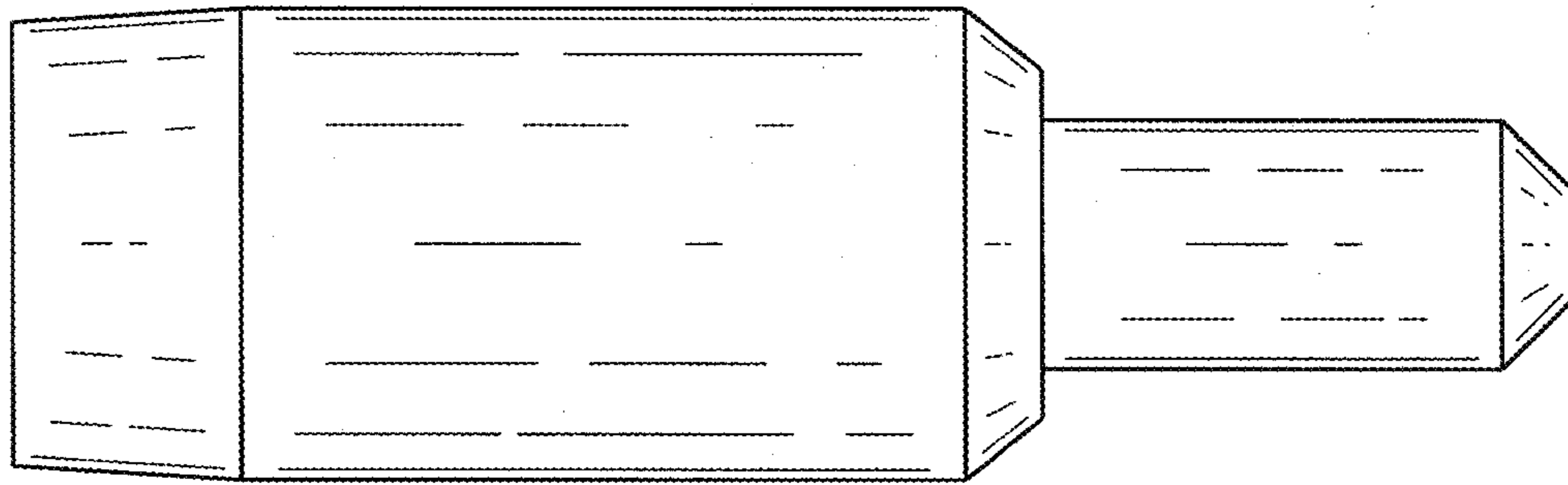


FIG. 3

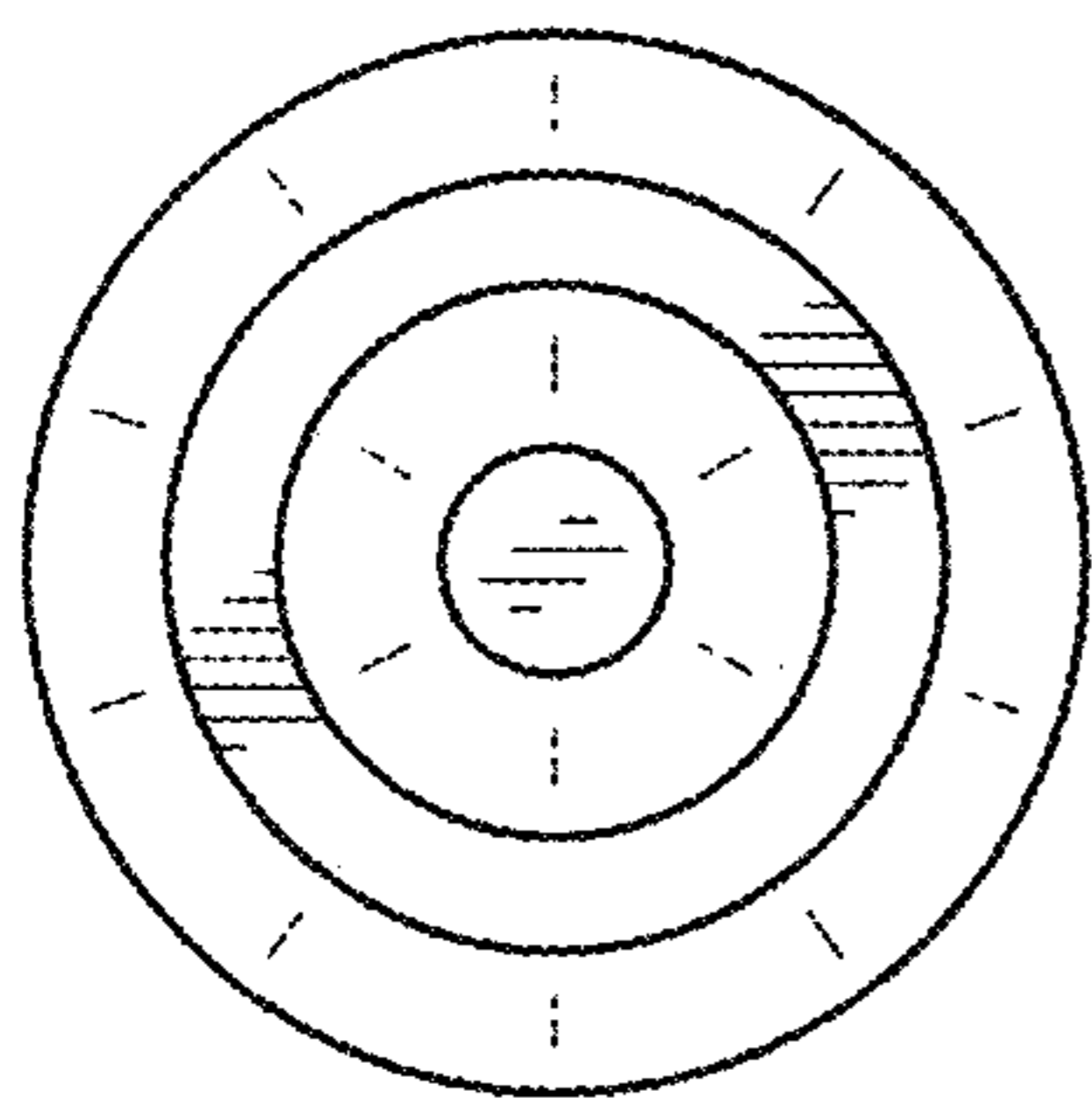


FIG. 4

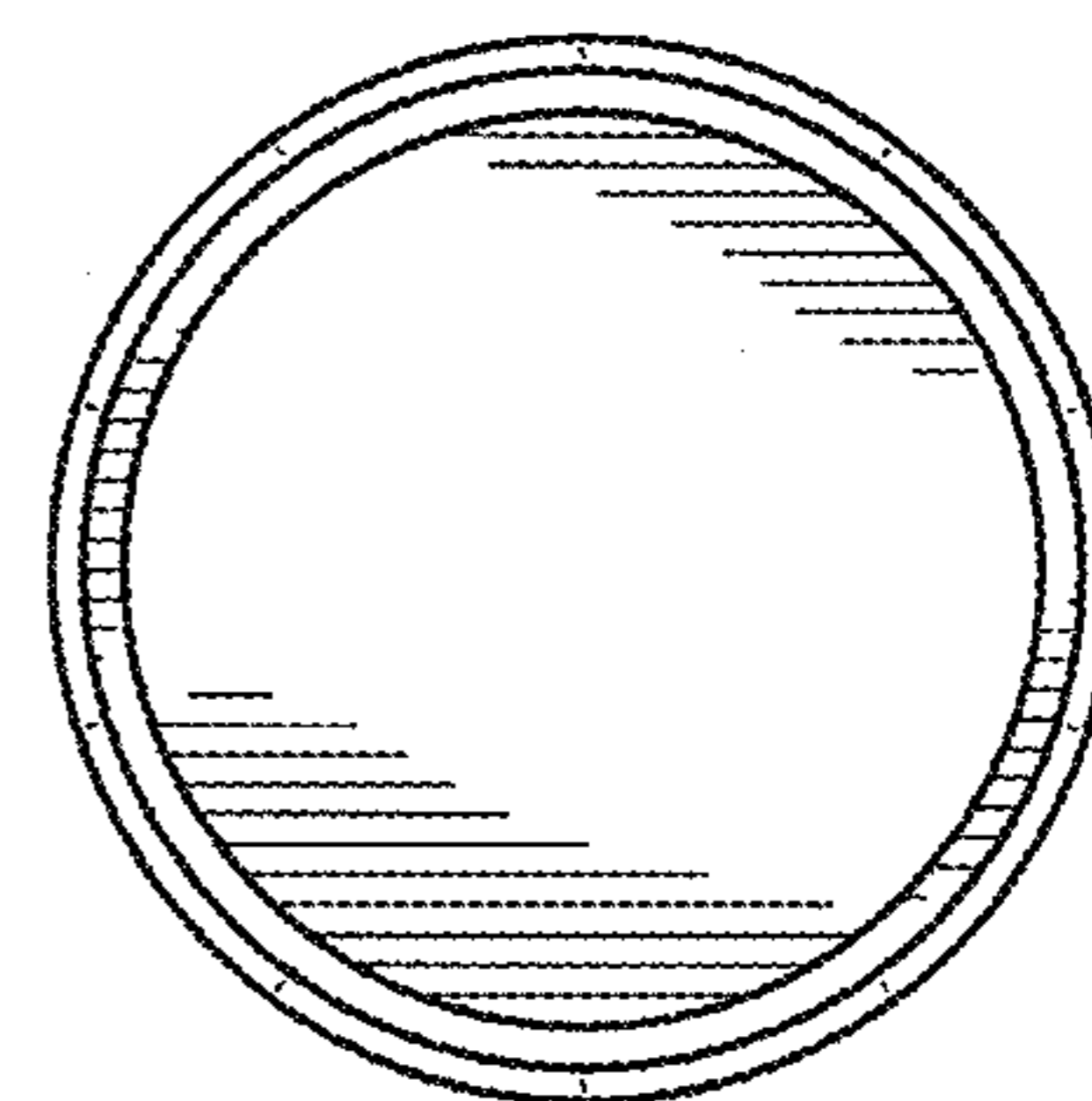


FIG. 5