



US00D888865S

(12) **United States Design Patent**  
**Maenza**

(10) **Patent No.:** **US D888,865 S**

(45) **Date of Patent:** **\*\* Jun. 30, 2020**

(54) **CANOPY FOOT ASSEMBLY**

(71) Applicant: **Roye Maenza**, Wichita Falls, TX (US)

(72) Inventor: **Roye Maenza**, Wichita Falls, TX (US)

(\*\*) Term: **15 Years**

(21) Appl. No.: **29/721,959**

(22) Filed: **Jan. 24, 2020**

(51) **LOC (12) Cl.** ..... **21-04**

(52) **U.S. Cl.**  
USPC ..... **D21/839**

(58) **Field of Classification Search**  
USPC ..... D21/834, 839  
CPC ..... E04H 15/02; E04H 15/32; E04H 15/58;  
E04H 15/60; E04H 15/62; E04H 4/106  
See application file for complete search history.

(56) **References Cited**

**U.S. PATENT DOCUMENTS**

4,782,846	A *	11/1988	Ting	.....	E04H 15/62 135/118
6,089,247	A *	7/2000	Price	.....	E04H 15/48 135/145
6,666,223	B2 *	12/2003	Price	.....	E04H 15/50 135/114
7,353,833	B1 *	4/2008	Palmer	.....	E04H 15/60 135/118
7,984,726	B2 *	7/2011	Lin	.....	E04H 15/48 135/117
8,312,888	B2 *	11/2012	Rees, Jr.	.....	E04H 15/02 135/117
8,770,213	B2 *	7/2014	Downey	.....	E04H 15/58 135/120.1
8,899,251	B2 *	12/2014	Leung	.....	E04H 15/02 135/96
D760,857	S *	7/2016	Matthews	.....	D21/839

10,344,499	B1 *	7/2019	Maenza	.....	E04H 15/60
2003/0000563	A1 *	1/2003	Kuperman	.....	E04H 15/40 135/121
2010/0258153	A1 *	10/2010	Affolter	.....	E04H 4/106 135/96

(Continued)

*Primary Examiner* — Cynthia M. Chin  
(74) *Attorney, Agent, or Firm* — Law Office of Jeff Williams PLLC; J. Oliver Williams

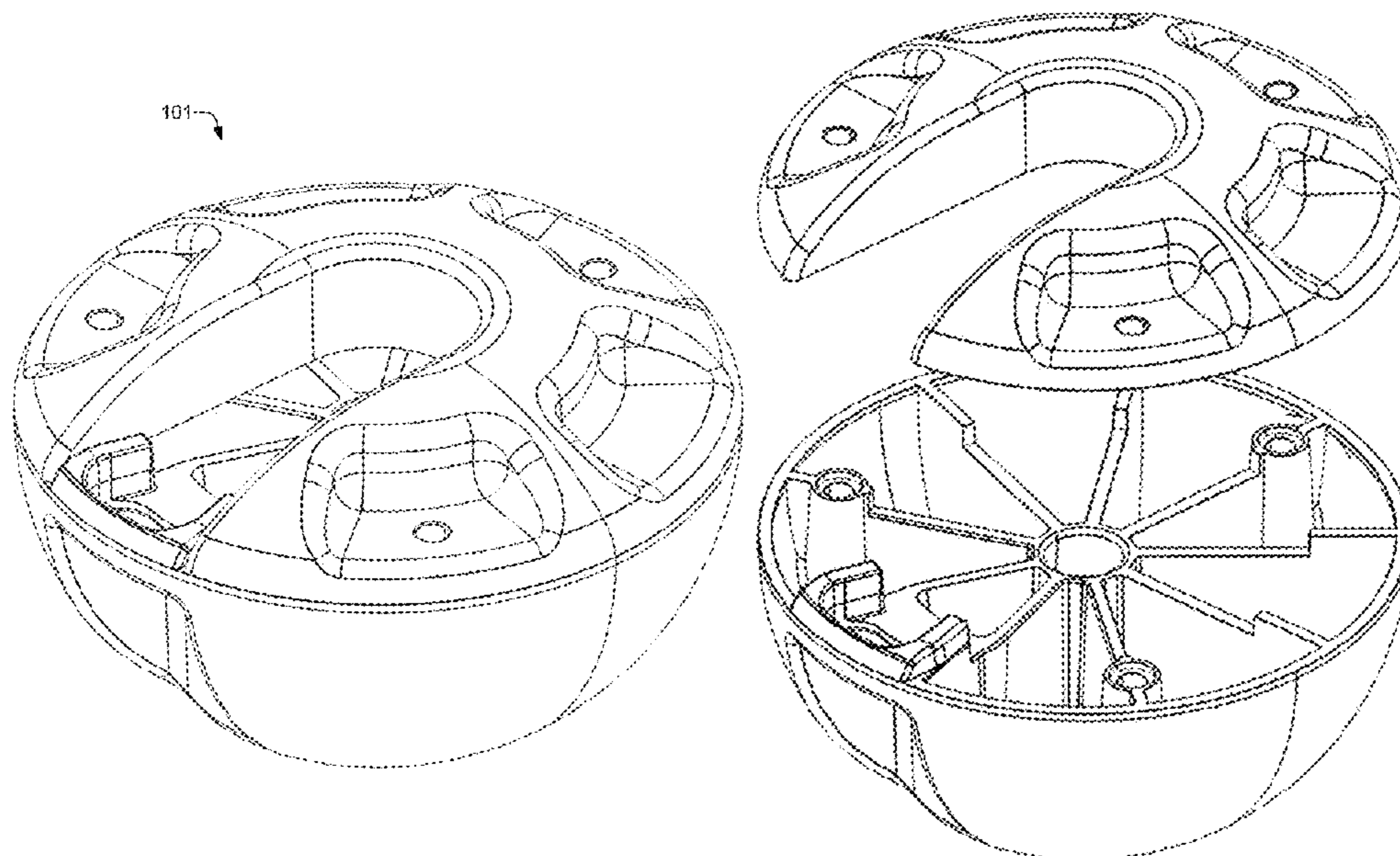
(57) **CLAIM**

The ornamental design for a canopy foot assembly, as shown and described.

**DESCRIPTION**

FIG. 1 is an upper perspective view of a canopy foot assembly according to the present application.  
 FIG. 2 is a lower perspective view of the canopy foot assembly of FIG. 1.  
 FIG. 3 is a top view of the canopy foot assembly of FIG. 1.  
 FIG. 4 is a bottom view of the canopy foot assembly of FIG. 1.  
 FIG. 5 is a right view of the canopy foot assembly of FIG. 1.  
 FIG. 6 is a left view of the canopy foot assembly of FIG. 1.  
 FIG. 7 is a front view of the canopy foot assembly of FIG. 1.  
 FIG. 8 is a back view of the canopy foot assembly of FIG. 1.  
 FIG. 9 is an exploded view of the canopy foot assembly of FIG. 1.  
 FIG. 10 is a lower perspective view of a cap in the canopy foot assembly of FIG. 1.  
 FIG. 11 is a bottom view of the cap of FIG. 10.  
 FIG. 12 is an upper perspective view of a base in the canopy foot assembly of FIG. 1; and,  
 FIG. 13 is a top view of the base of FIG. 12.  
 FIGS. 10-13 are shown separately for ease and clarity of illustration.

**1 Claim, 9 Drawing Sheets**



(56)

**References Cited**

U.S. PATENT DOCUMENTS

2012/0017956 A1\* 1/2012 Downey ..... E04H 15/58  
135/96

\* cited by examiner

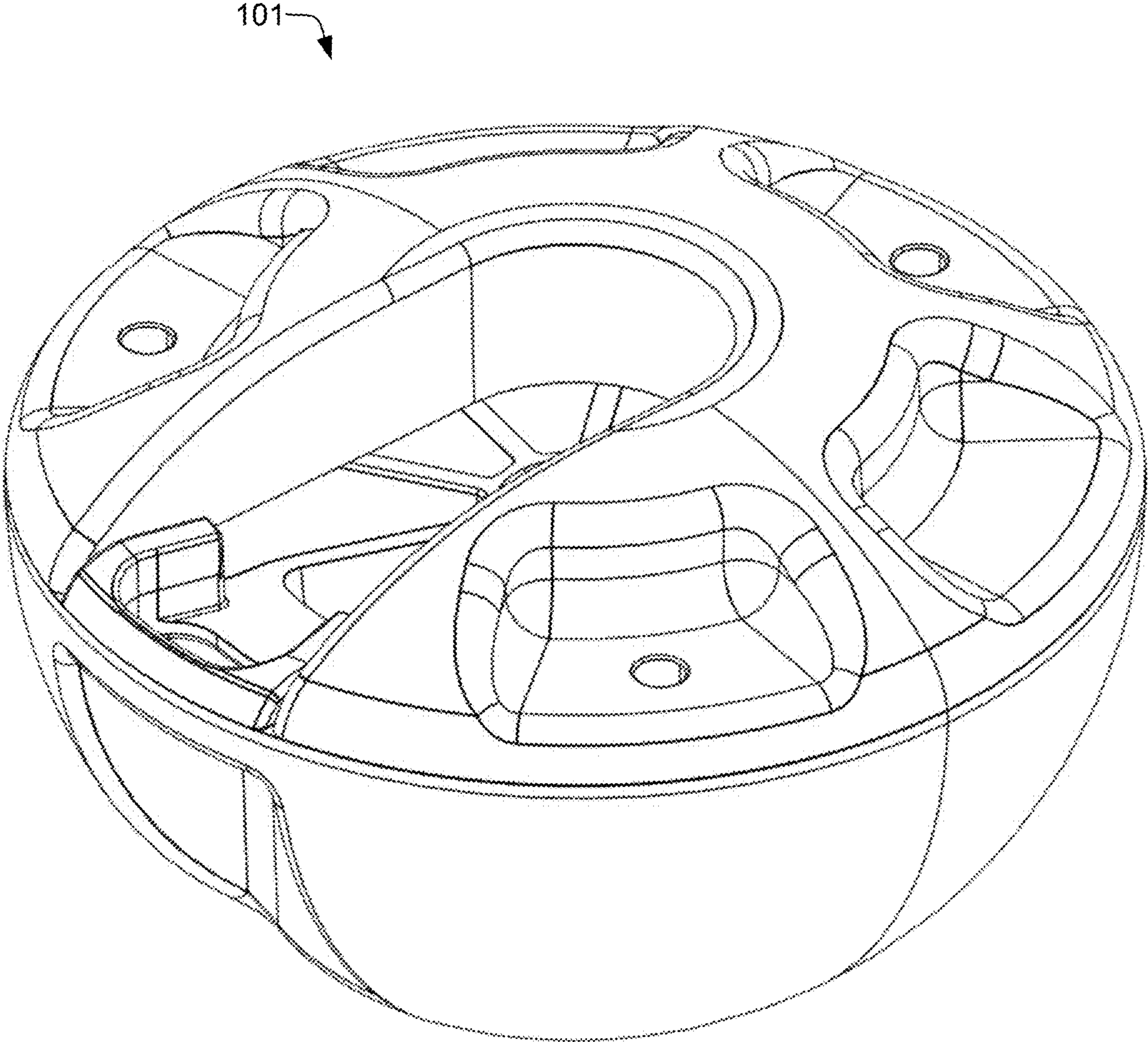


FIG. 1

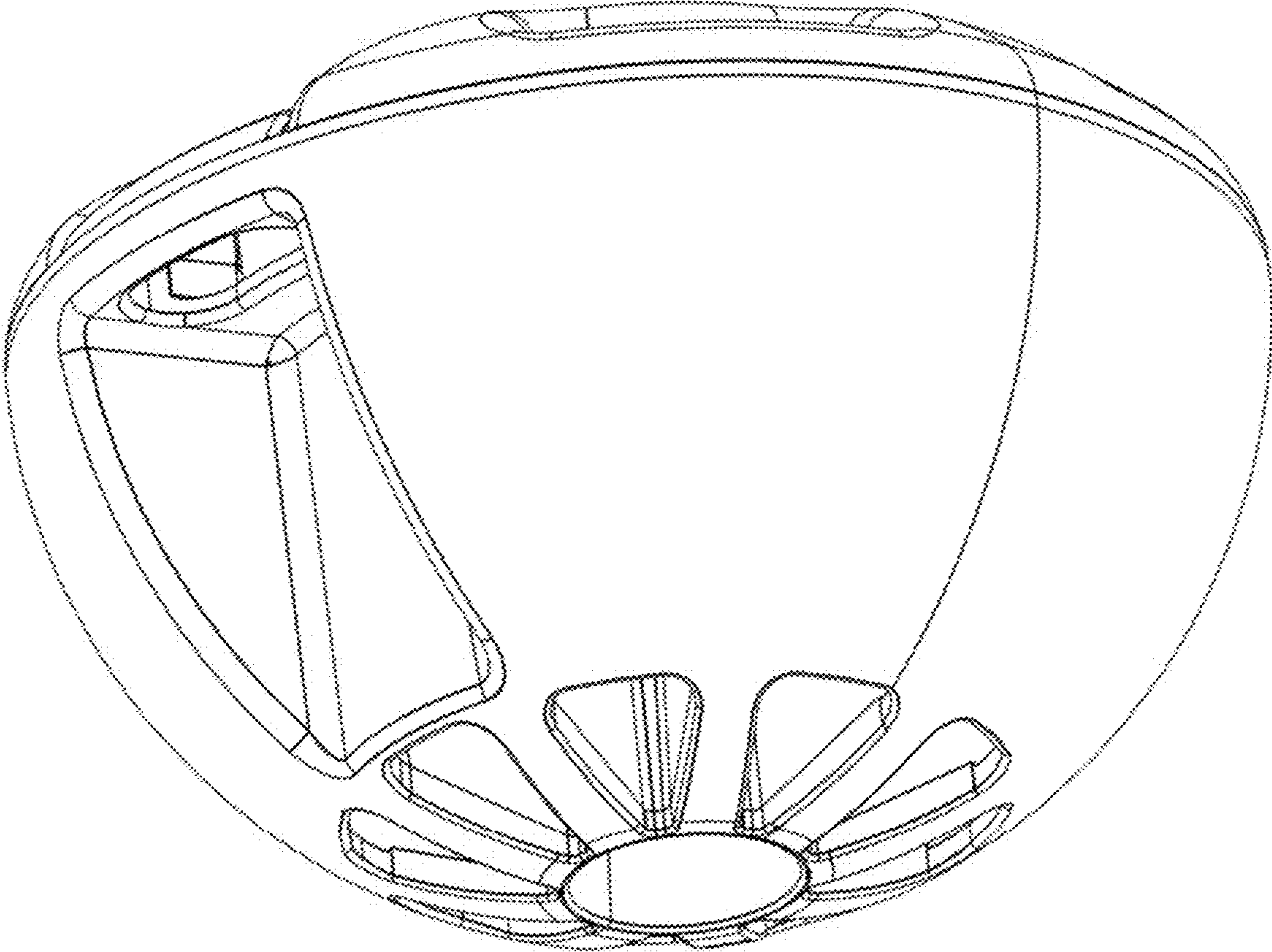


FIG. 2

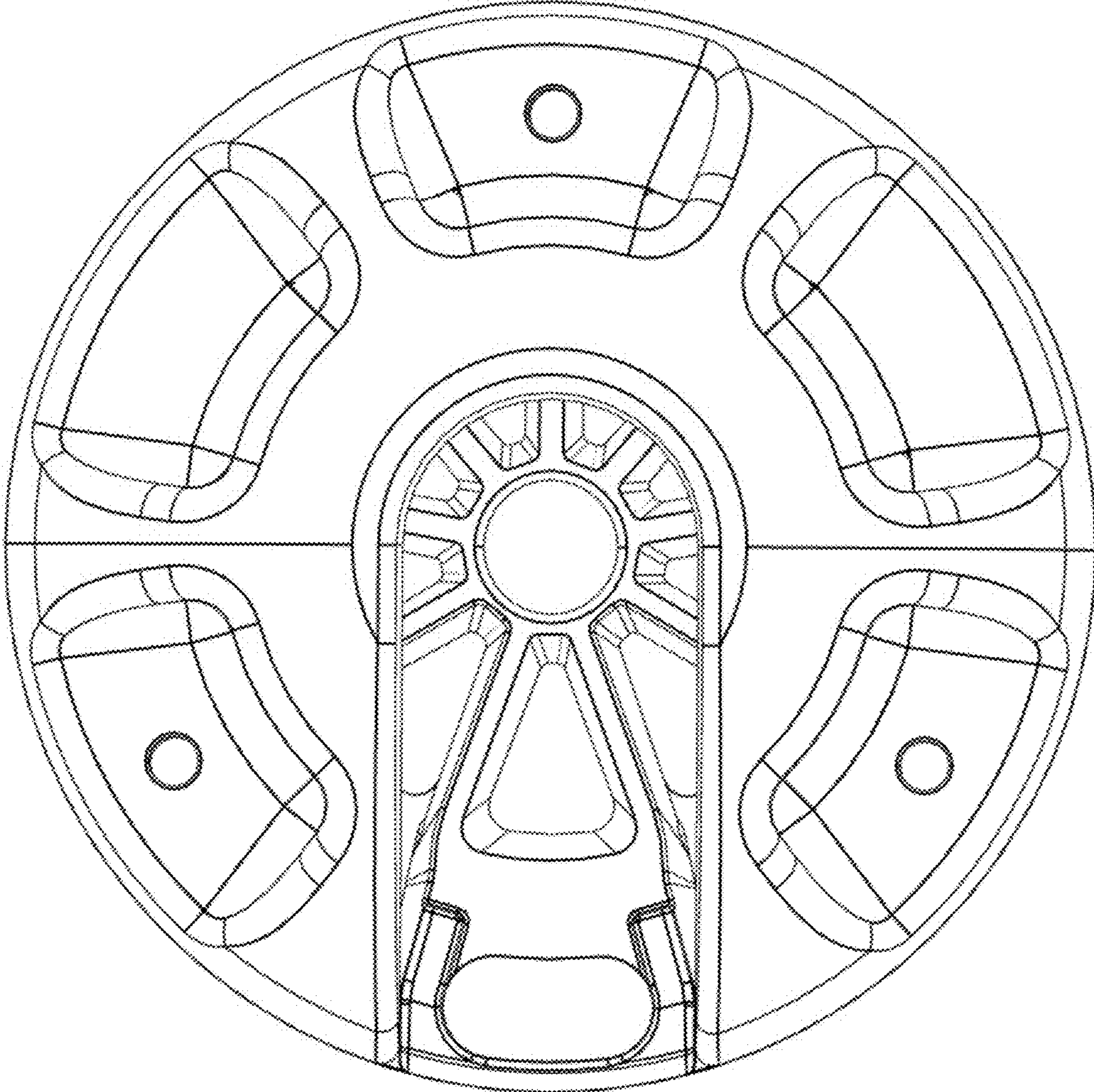


FIG. 3

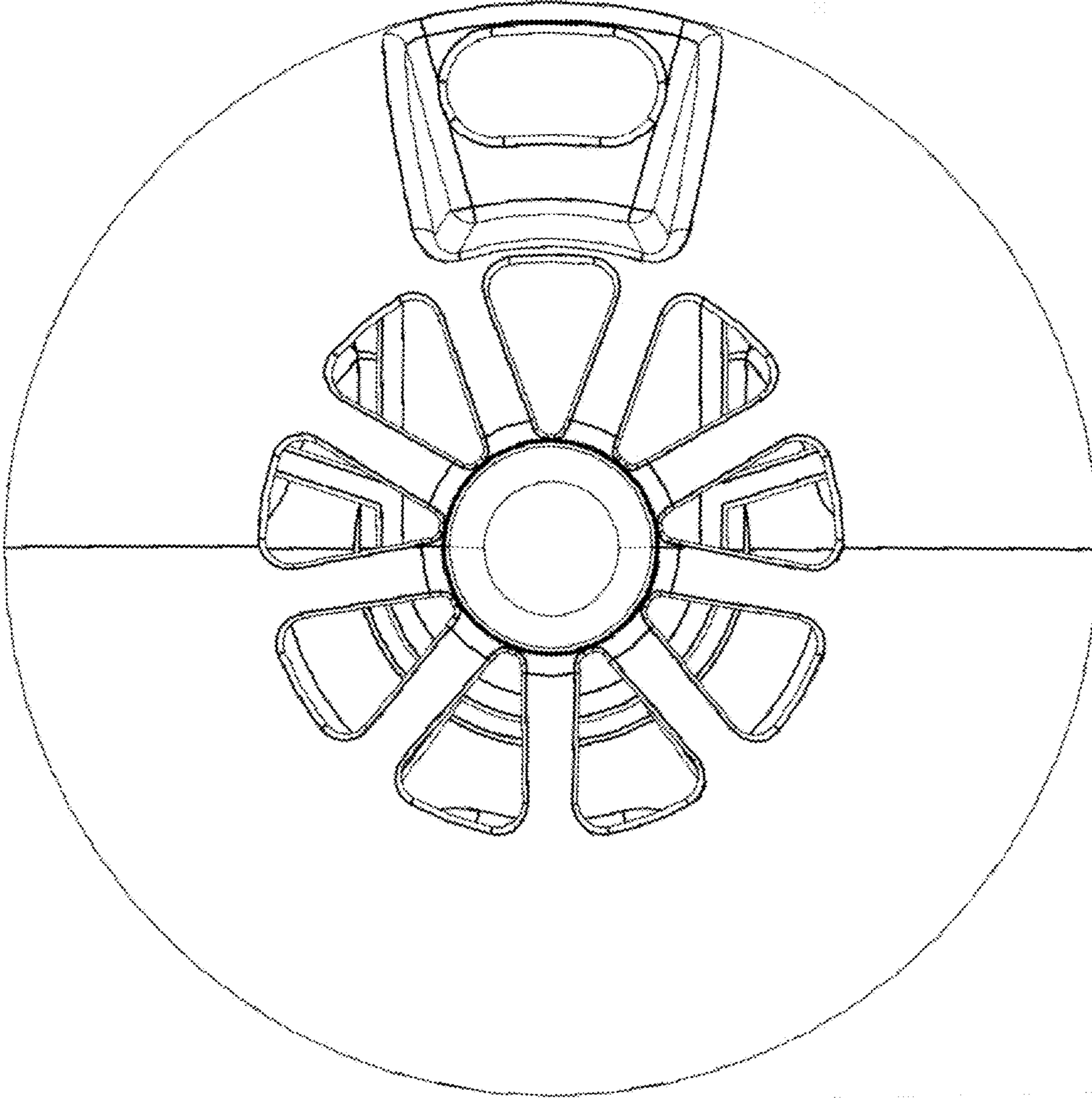


FIG. 4

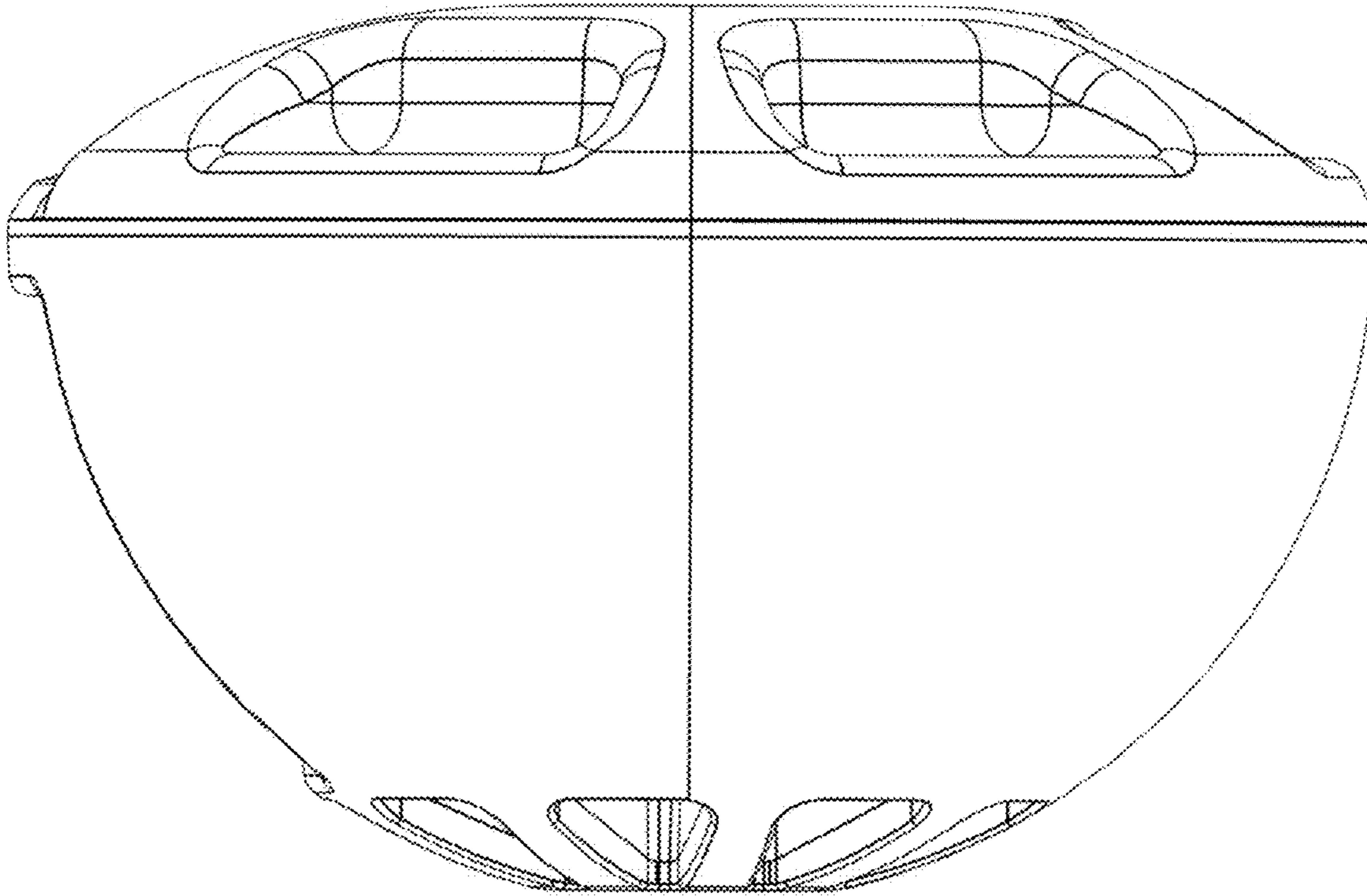


FIG. 5

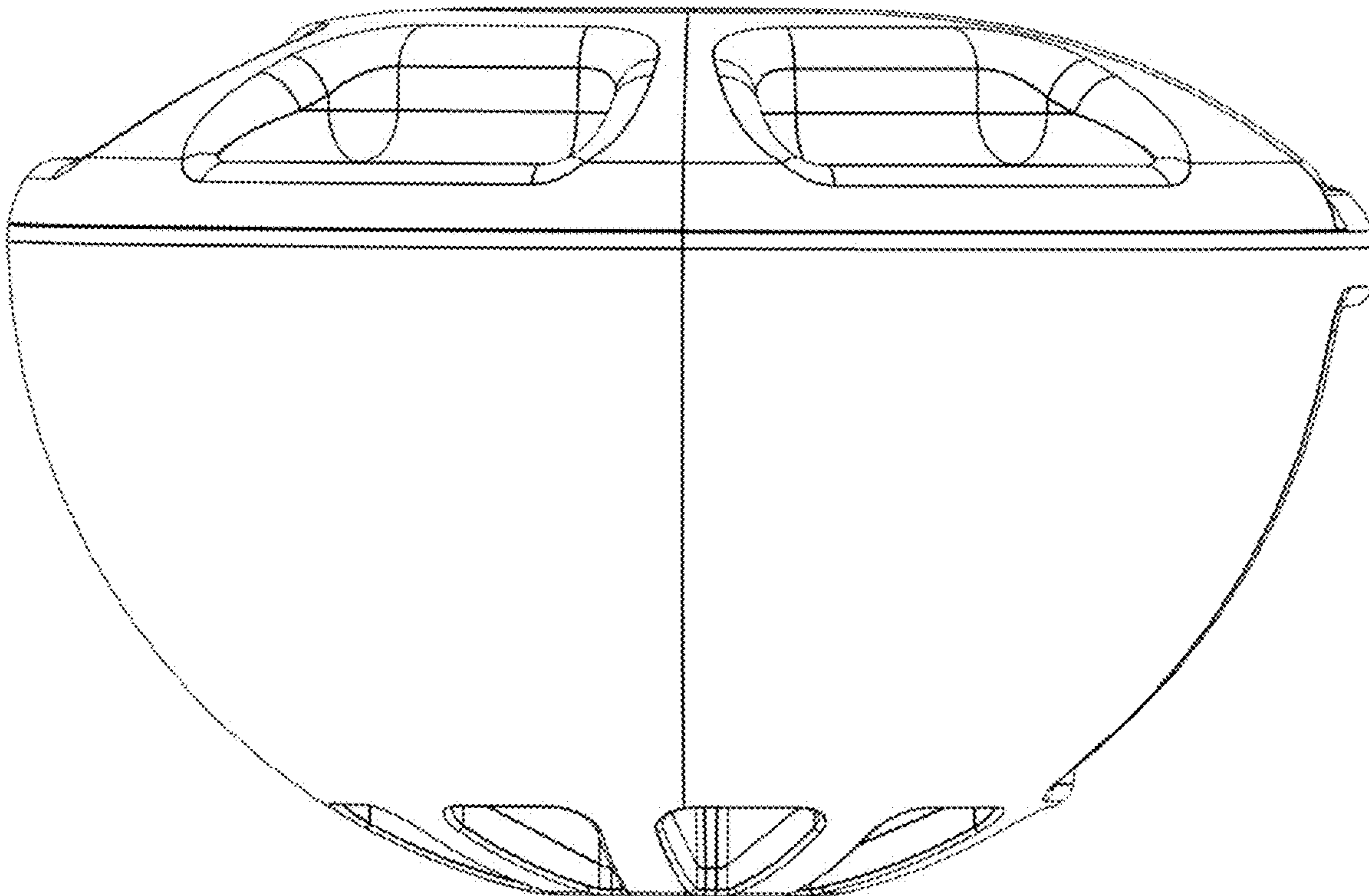


FIG. 6

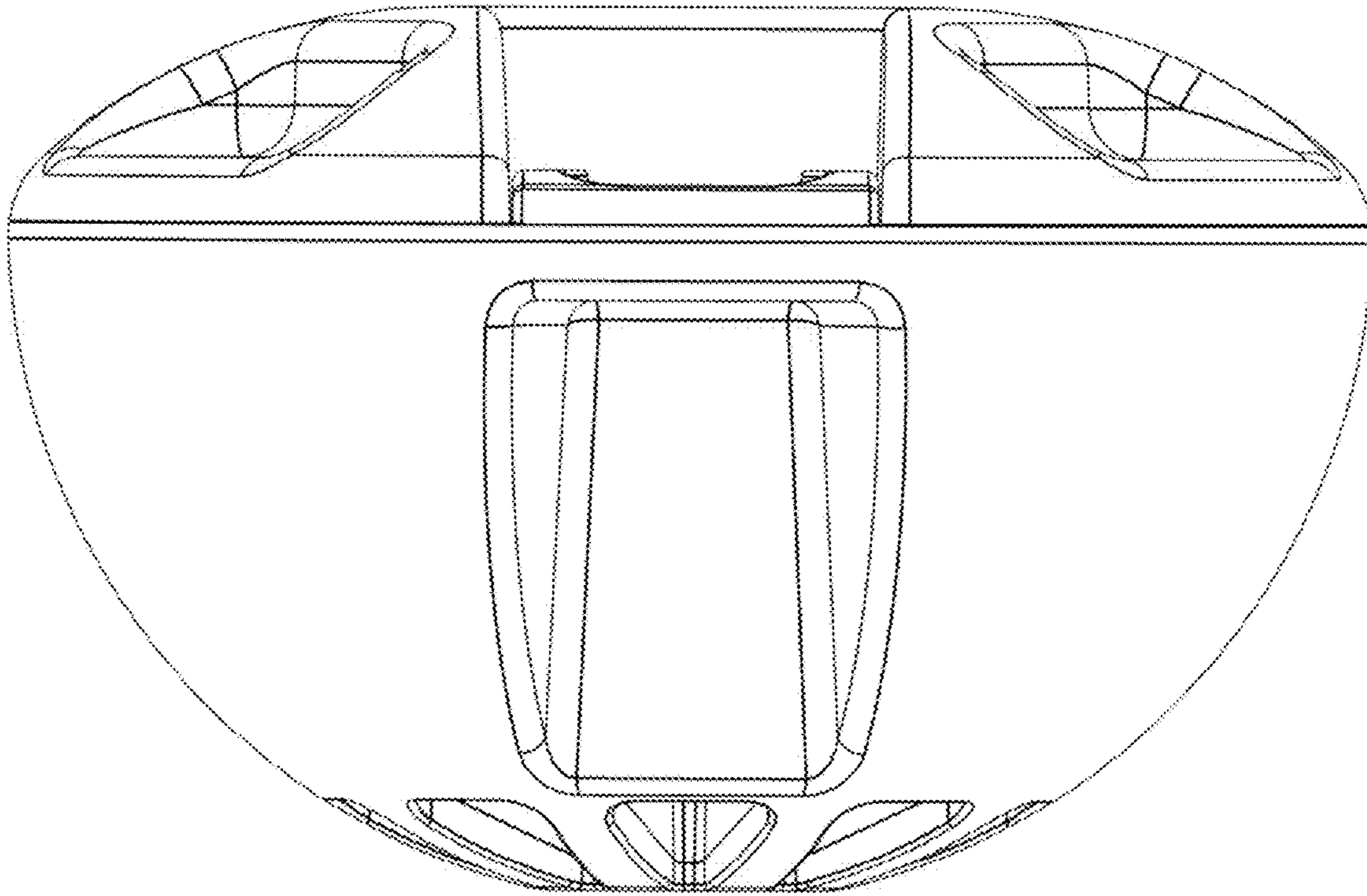


FIG. 7

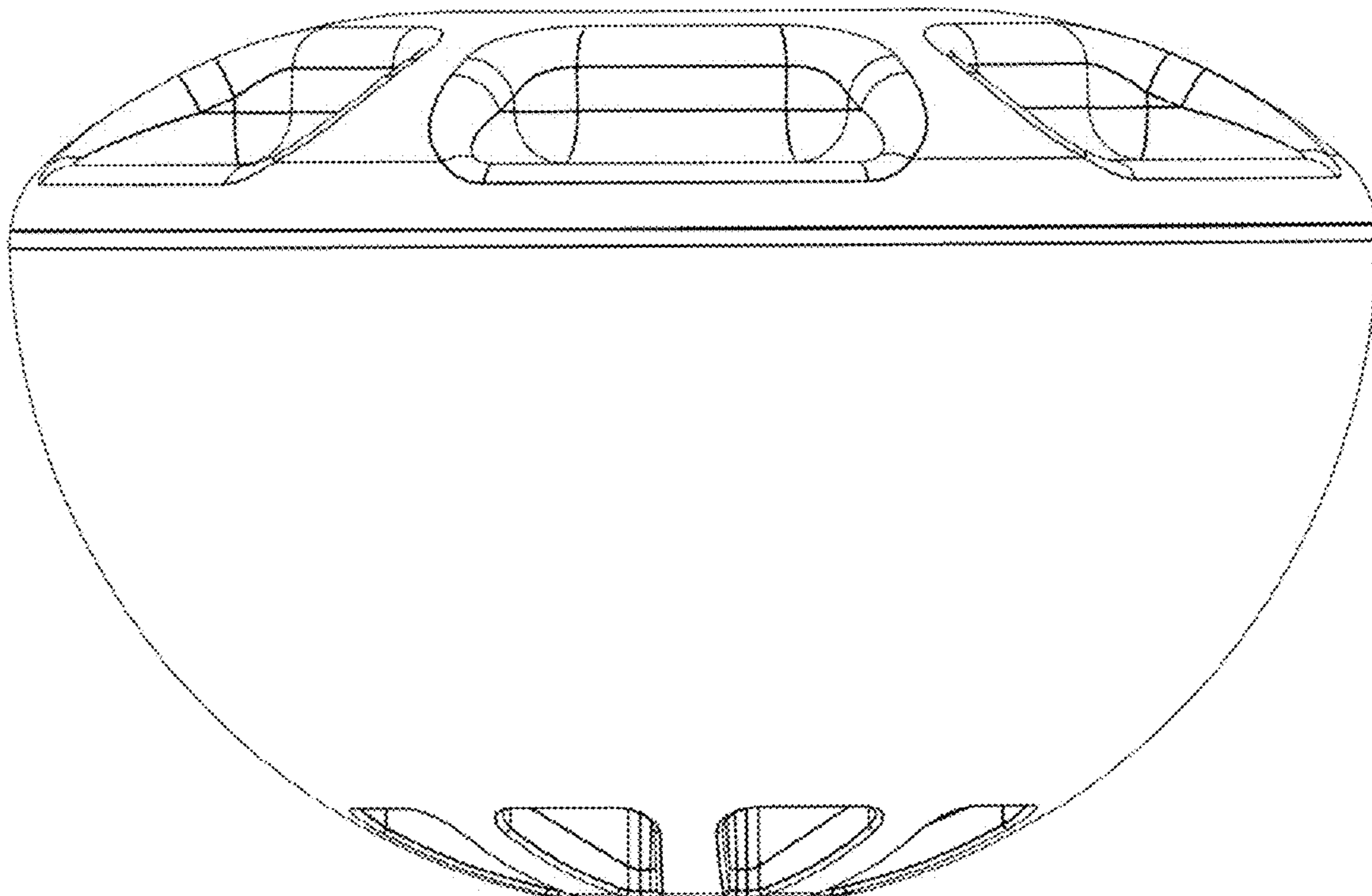


FIG. 8



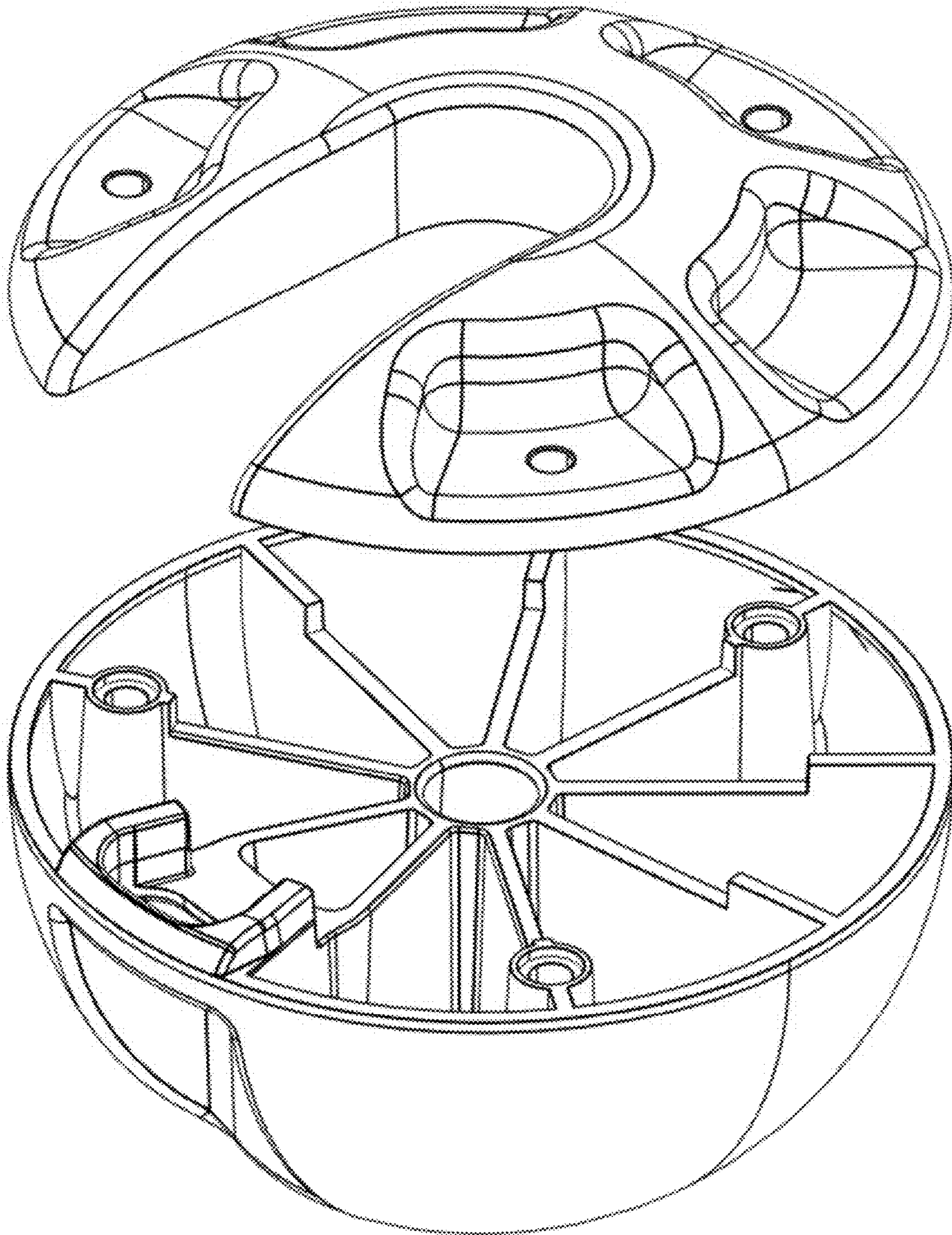


FIG. 9

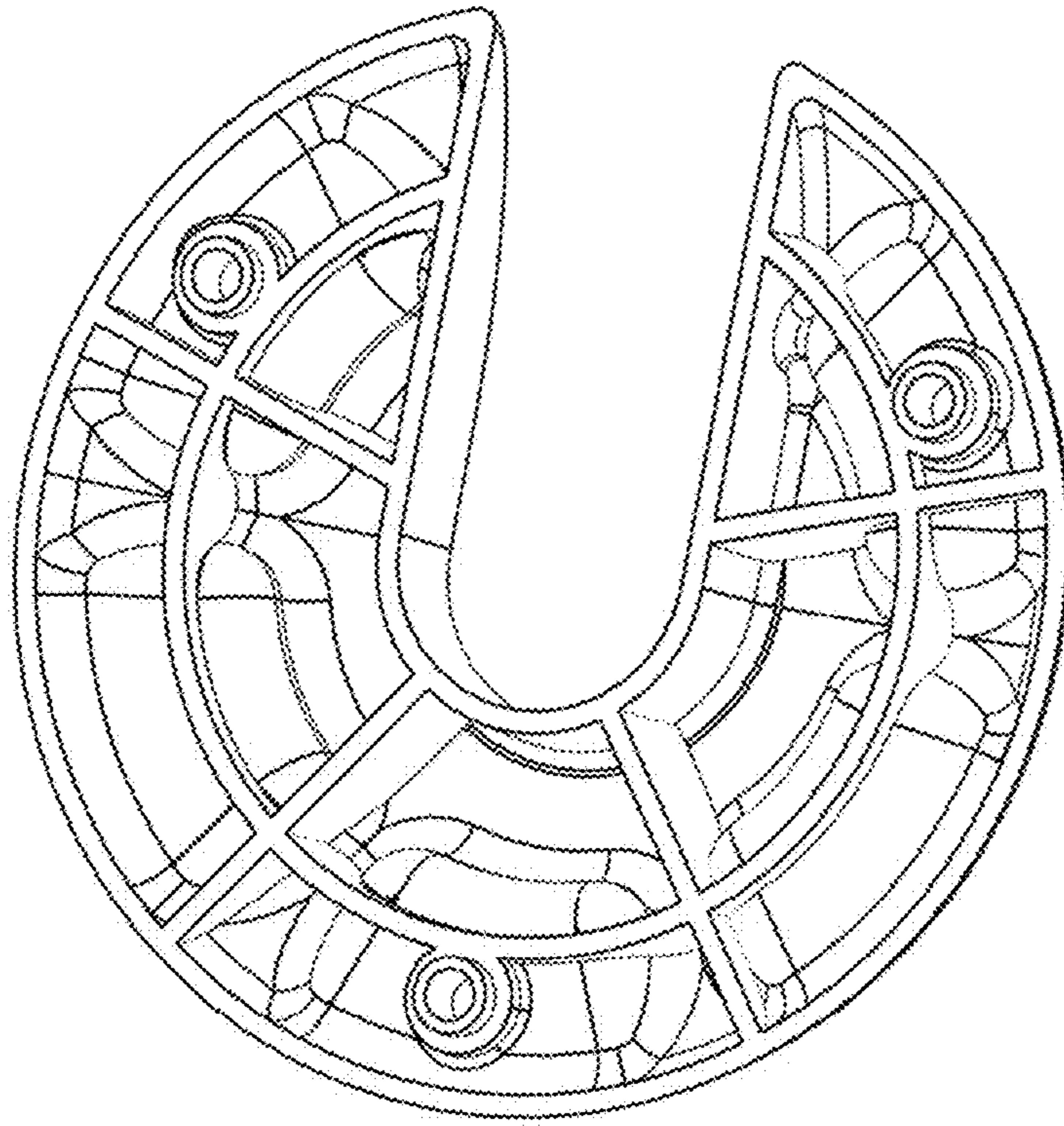


FIG. 10

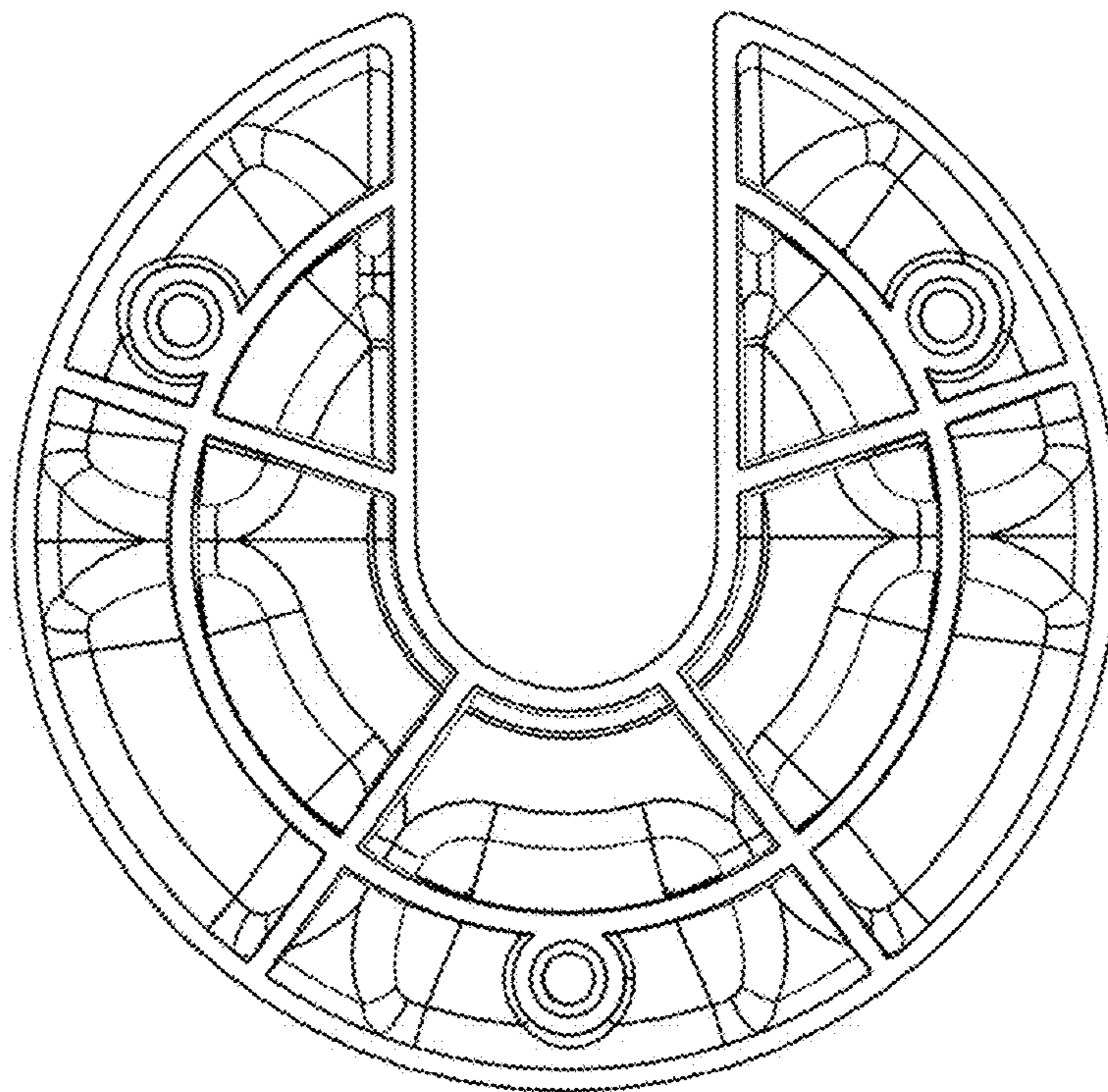


FIG. 11

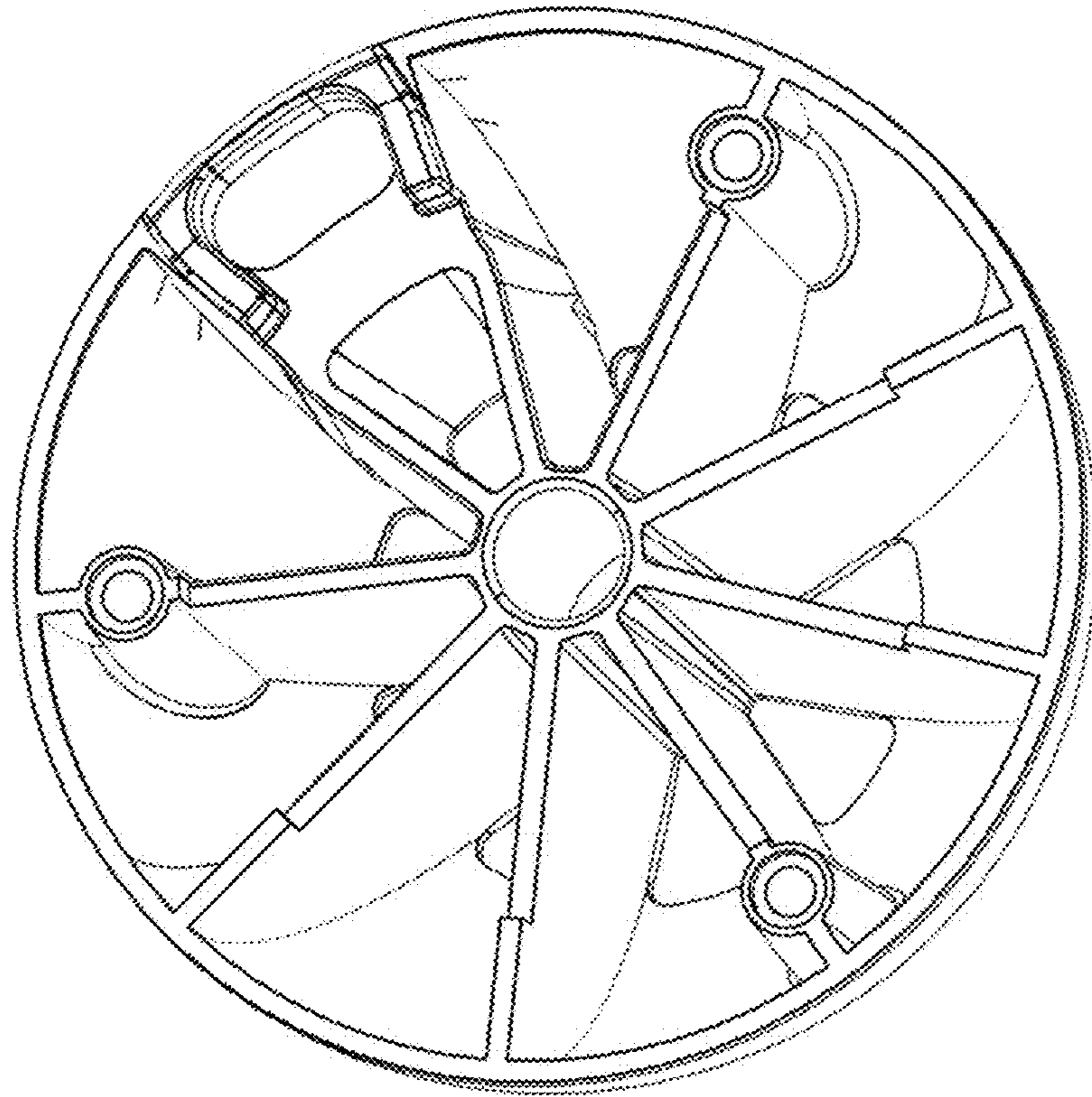


FIG. 12

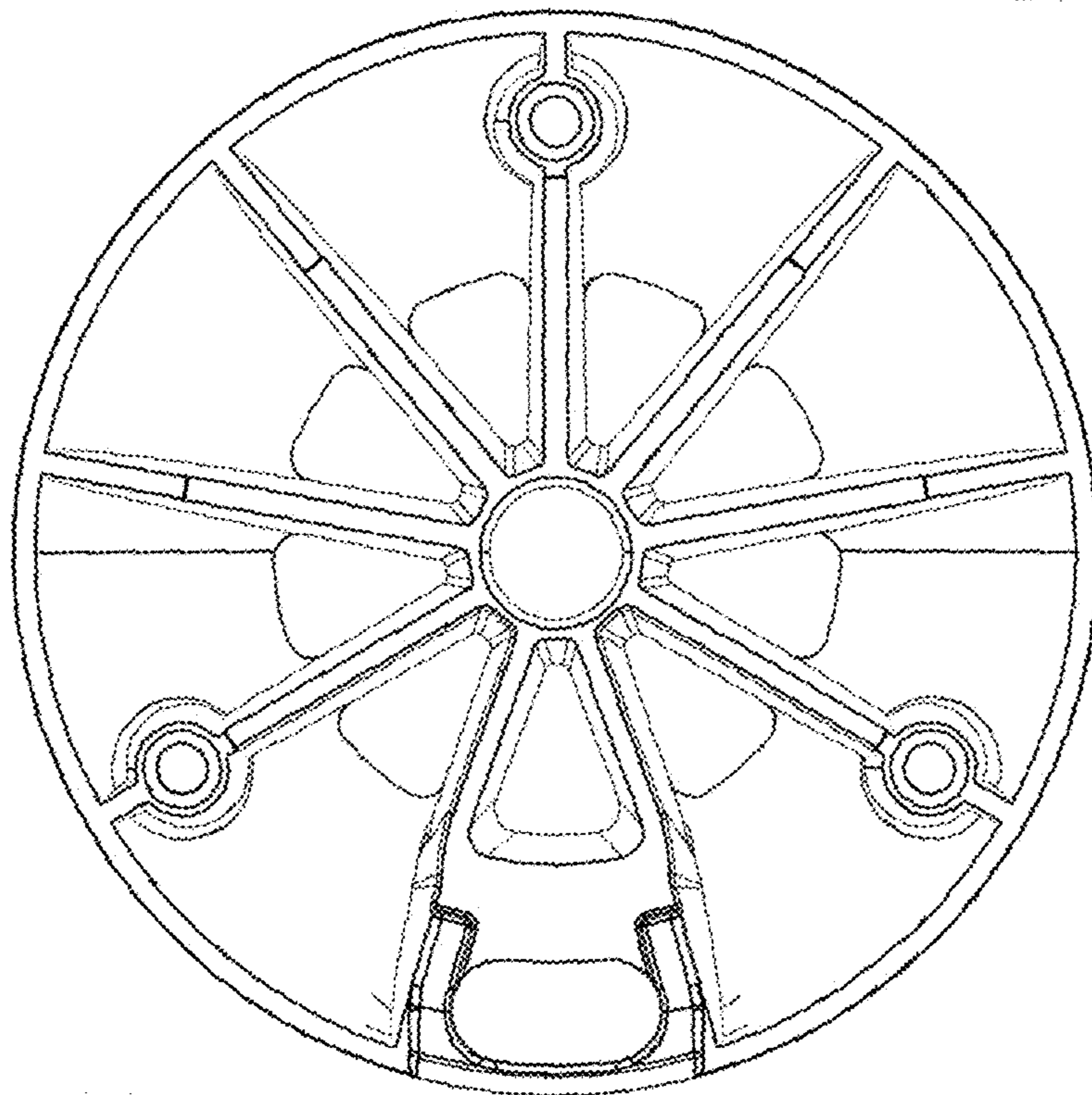


FIG. 13