



US00D888860S

(12) **United States Design Patent** (10) **Patent No.:** **US D888,860 S**  
**West et al.** (45) **Date of Patent:** **\*\* Jun. 30, 2020**

- (54) **CORD FOR SURF LEASH** 7,412,944 B2 \* 8/2008 Wescombe-Down ..... A01K 79/02  
119/220
- (71) Applicant: **Dakine IP Holdings LP**, New York, NY (US) 7,918,699 B2 4/2011 Malloy  
8,834,221 B2 9/2014 Cregan  
8,894,457 B1 \* 11/2014 Crozier ..... B63B 32/70  
441/75
- (72) Inventors: **Zachary West**, Seattle, WA (US); **John Martin**, Vashon, WA (US); **Brian Fletcher**, Issaquah, WA (US); **Mirona Motoc**, Seattle, WA (US); **Jay Willet**, Tacoma, WA (US); **Aaron Ambuske**, Seattle, WA (US) D736,331 S \* 8/2015 Martinson ..... D21/774  
9,248,891 B2 \* 2/2016 Falken ..... B63B 32/70  
9,580,154 B2 \* 2/2017 Falken ..... B63B 32/70  
D857,825 S \* 8/2019 Pang ..... D21/774  
2019/0106839 A1 4/2019 Norrie et al.

FOREIGN PATENT DOCUMENTS

- (73) Assignee: **Dakine IP Holdings LP**, New York, NY (US) WO 2017139840 A1 8/2017

\* cited by examiner

(\*\*) Term: **15 Years**

*Primary Examiner* — Zenia I Bennett

(21) Appl. No.: **29/682,809**

(74) *Attorney, Agent, or Firm* — Kolisch Hartwell, P.C.

(22) Filed: **Mar. 7, 2019**

(51) **LOC (12) Cl.** ..... **21-02**

(52) **U.S. Cl.** ..... **D21/774**

USPC ..... **D21/774**

(58) **Field of Classification Search**

USPC ..... D21/672, 684–685, 694, 760–761, D21/765–766, 768–777; D3/215, 327; D28/41

CPC ..... B63B 35/7936; B63B 35/7933; B63B 35/794

See application file for complete search history.

(57) **CLAIM**

The ornamental design for a cord for surf leash, as shown and described.

**DESCRIPTION**

FIG. 1 is a perspective view of a cord for surf leash showing the new design;

FIG. 2 is a side elevation view thereof;

FIG. 3 is an oblique side view thereof; and,

FIG. 4 is a side elevation view depicting a unit of the translational symmetry thereof.

The cord for surf leash exhibits threefold rotational symmetry along its longitudinal axis, as well as translational symmetry along its length.

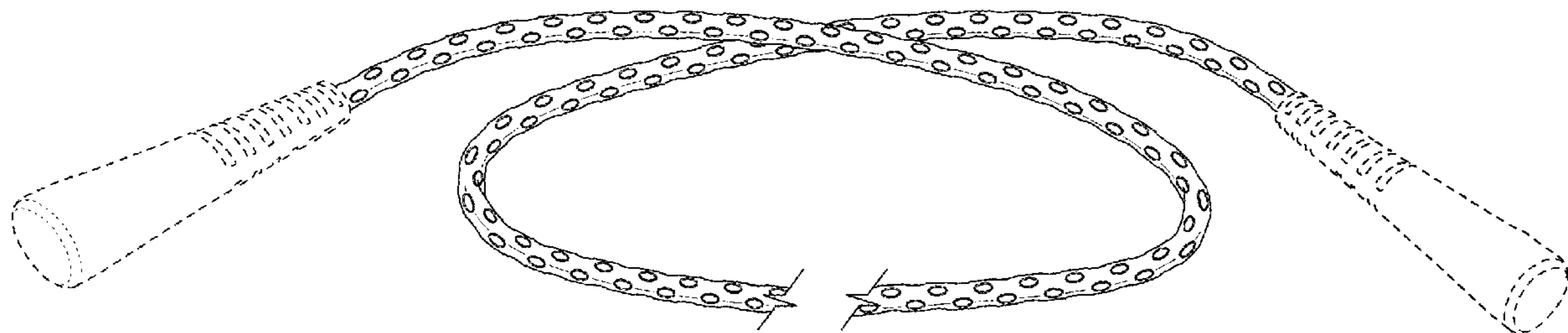
Elements of the drawings depicted with broken lines are intended to illustrate the environment of the depicted article, and form no part of the claimed design.

**1 Claim, 2 Drawing Sheets**

(56) **References Cited**

U.S. PATENT DOCUMENTS

- 4,041,562 A \* 8/1977 Nealy ..... B63B 32/70  
441/75
- 4,044,415 A \* 8/1977 Wood ..... B63B 32/70  
441/75
- 4,610,634 A 9/1986 Kimura
- 6,000,979 A 12/1999 Stewart



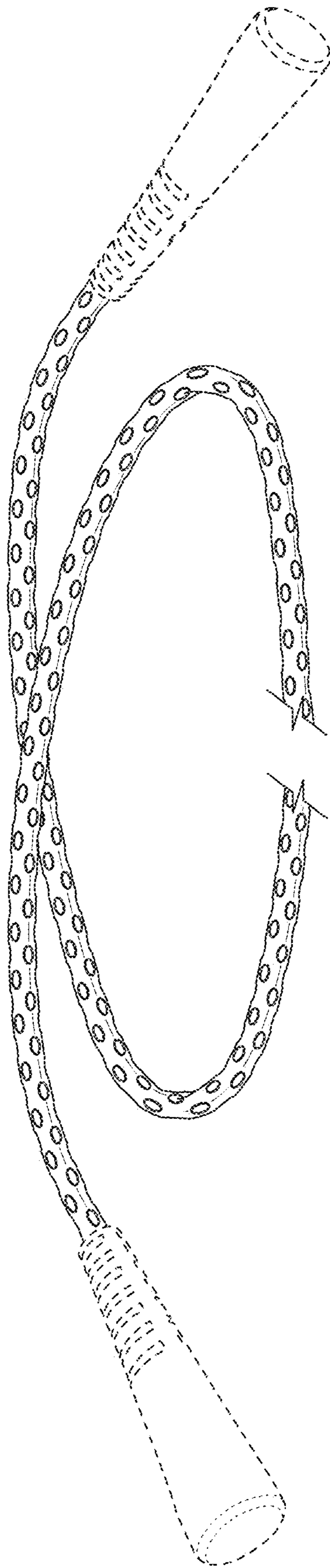


FIG. 1

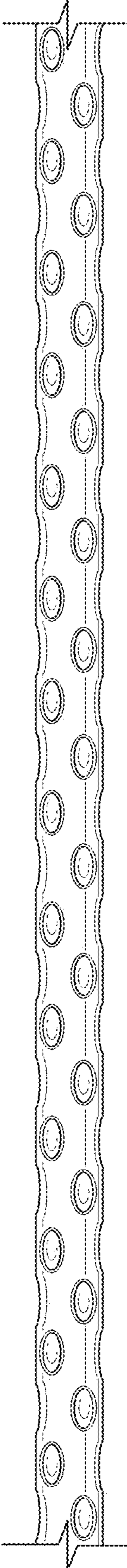


FIG. 2

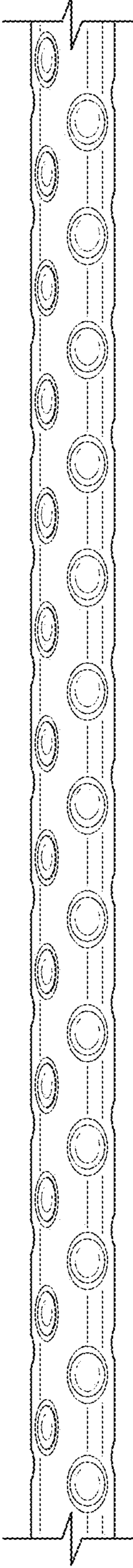


FIG. 3

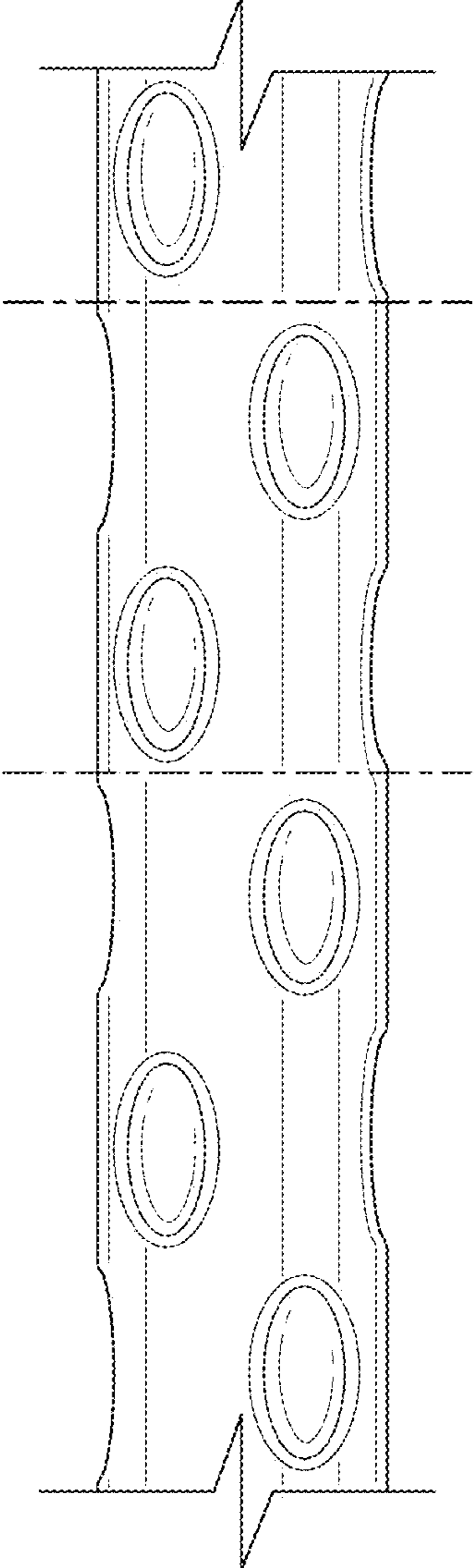


FIG. 4