



US00D888859S

(12) **United States Design Patent**  
**West et al.**

(10) **Patent No.:** **US D888,859 S**  
(45) **Date of Patent:** **\*\* Jun. 30, 2020**

(54) **HORN FOR SURF LEASH**  
(71) Applicant: **Dakine IP Holdings LP**, New York, NY (US)  
(72) Inventors: **Zachary West**, Seattle, WA (US); **John Martin**, Vashon, WA (US); **Brian Fletcher**, Issaquah, WA (US); **Mirona Motoc**, Seattle, WA (US); **Jay Willet**, Tacoma, WA (US); **Aaron Ambuske**, Seattle, WA (US)

4,610,634 A 9/1986 Kimura  
D303,278 S \* 9/1989 Nealy ..... D21/774  
5,775,965 A \* 7/1998 Hango ..... B63B 32/70  
441/75  
6,000,979 A 12/1999 Stewart  
7,918,699 B2 4/2011 Malloy  
D677,354 S \* 3/2013 Nolan ..... D21/774  
8,834,221 B2 9/2014 Cregan  
10,066,786 B1 \* 9/2018 Cox ..... F16M 11/2021  
D857,825 S \* 8/2019 Pang ..... D21/774  
2019/0106839 A1 4/2019 Norrie et al.

(73) Assignee: **Dakine IP Holdings LP**, New York, NY (US)

FOREIGN PATENT DOCUMENTS

WO 2017139840 A1 8/2017

(\*\*) Term: **15 Years**

\* cited by examiner

*Primary Examiner* — Zenia I Bennett

(21) Appl. No.: **29/682,807**

(74) *Attorney, Agent, or Firm* — Kolisch Hartwell, P.C.

(22) Filed: **Mar. 7, 2019**

(51) **LOC (12) Cl.** ..... **21-02**

(57) **CLAIM**

(52) **U.S. Cl.**  
USPC ..... **D21/774**

The ornamental design for a horn for surf leash, as shown.

(58) **Field of Classification Search**  
USPC ..... D21/684–685, 760–761, 765–766,  
D21/768–777; D3/215, 327; D28/41  
CPC ..... B63B 35/7936; B63B 35/7933; B63B  
35/794

**DESCRIPTION**

FIG. 1 is an upper, front, and right side isometric view of a horn for surf leash showing the new design; FIG. 2 is a front elevation view thereof; FIG. 3 is a rear elevation view thereof; FIG. 4 is a right side elevation view thereof; FIG. 5 is a left side elevation view thereof; FIG. 6 is a top plan view thereof; and, FIG. 7 is a bottom plan view thereof.

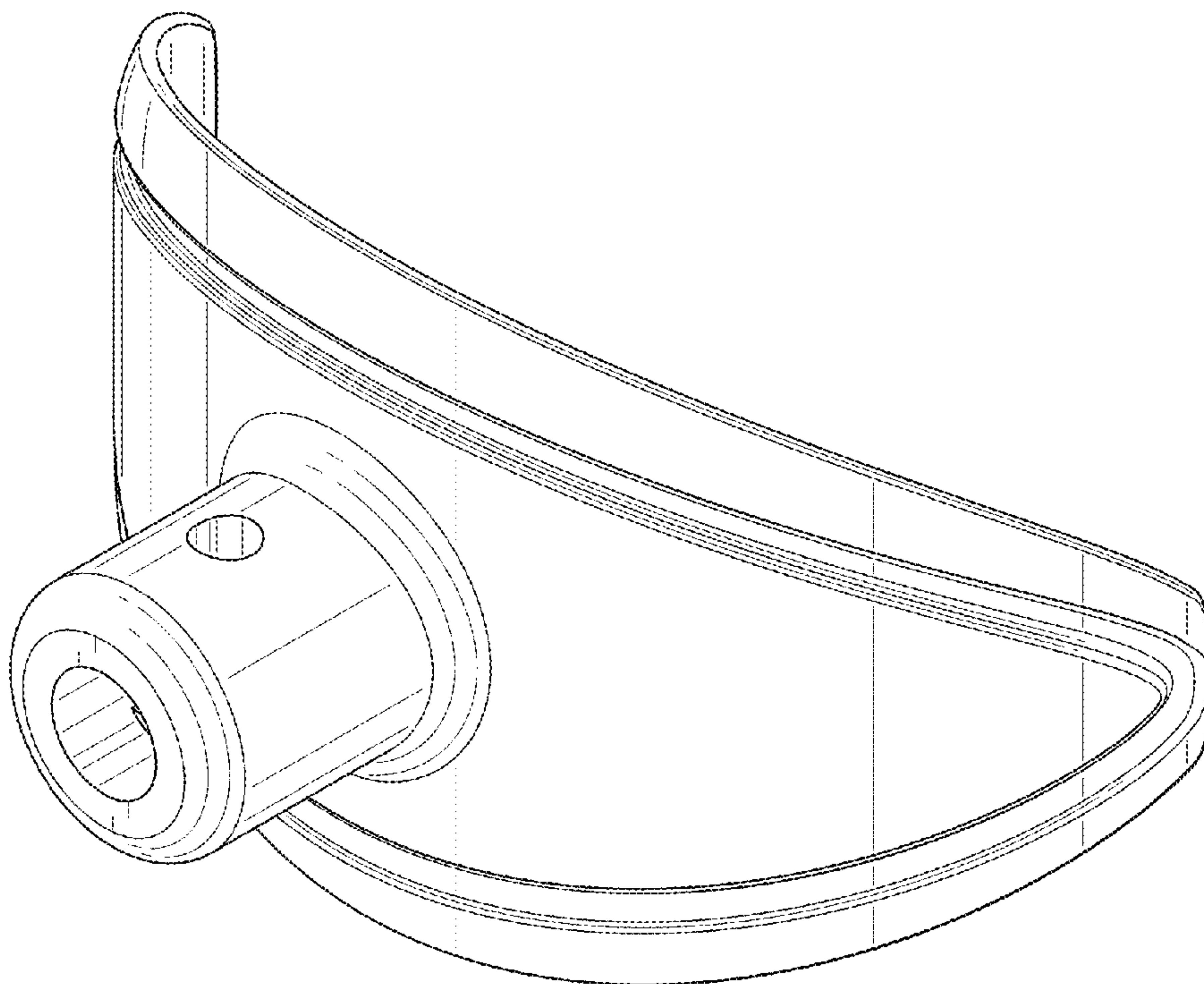
See application file for complete search history.

(56) **References Cited**

U.S. PATENT DOCUMENTS

4,041,562 A \* 8/1977 Nealy ..... B63B 32/70  
441/75  
D279,023 S \* 5/1985 Wessels ..... D21/774

**1 Claim, 7 Drawing Sheets**



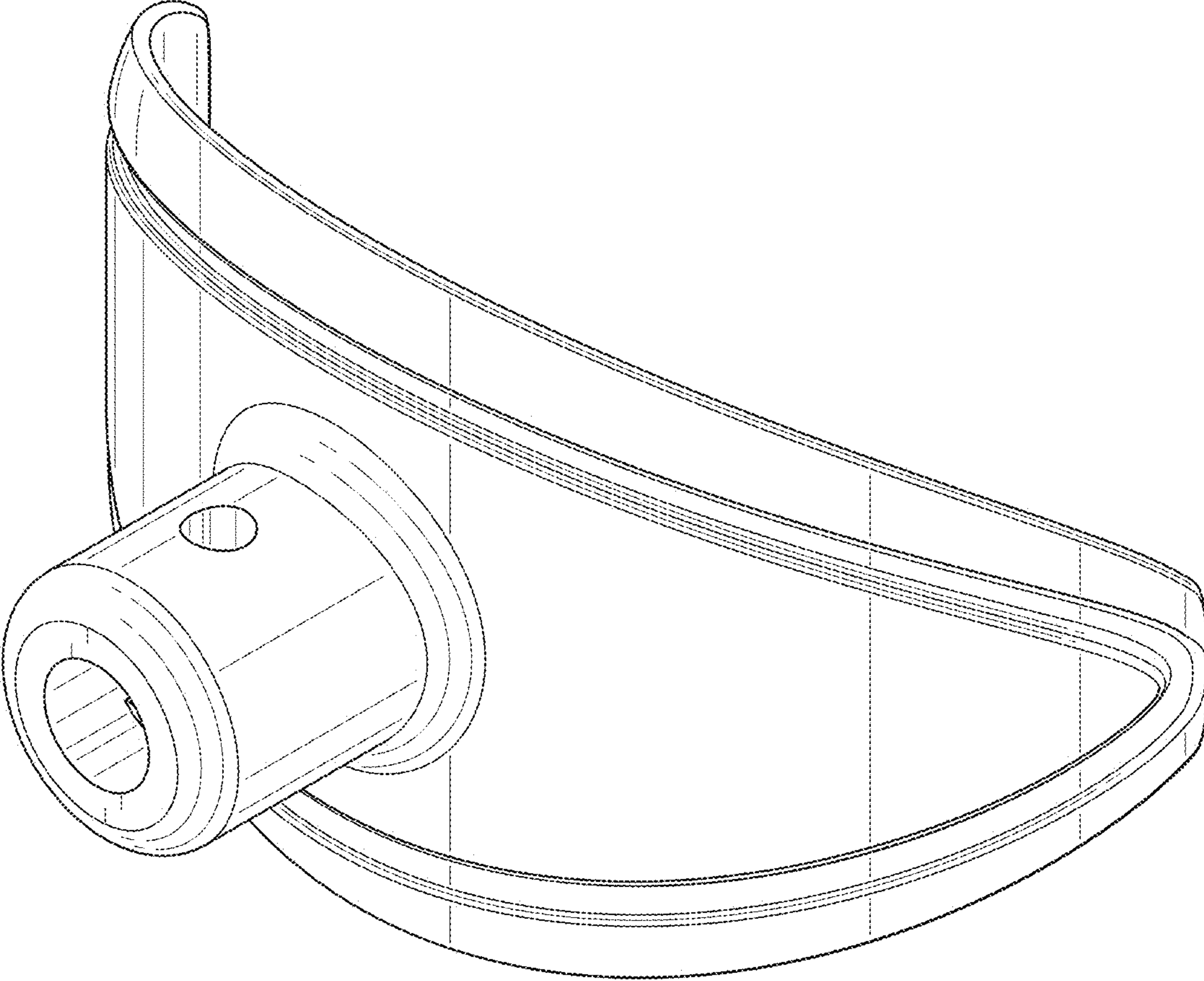


FIG. 1

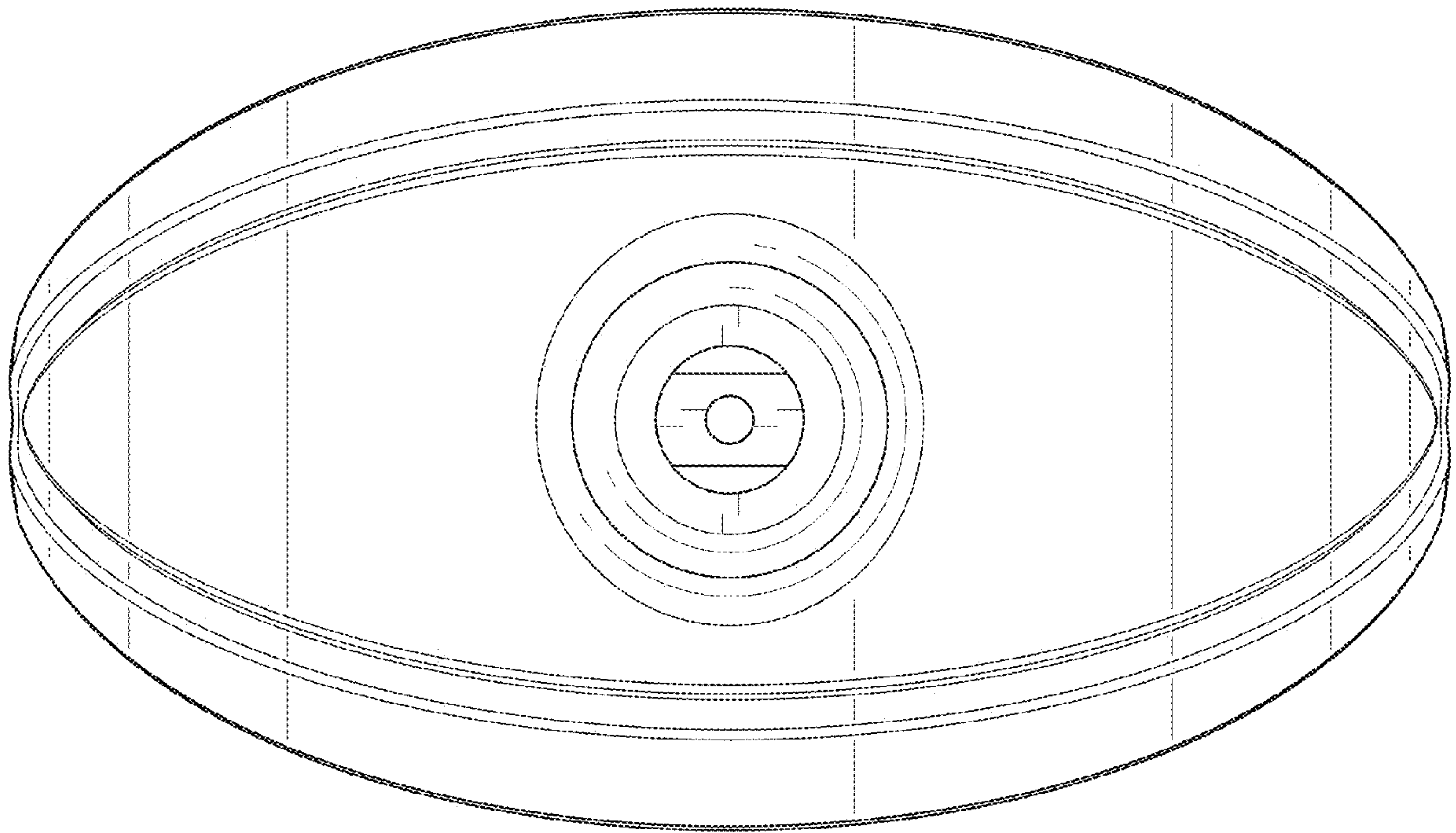


FIG. 2

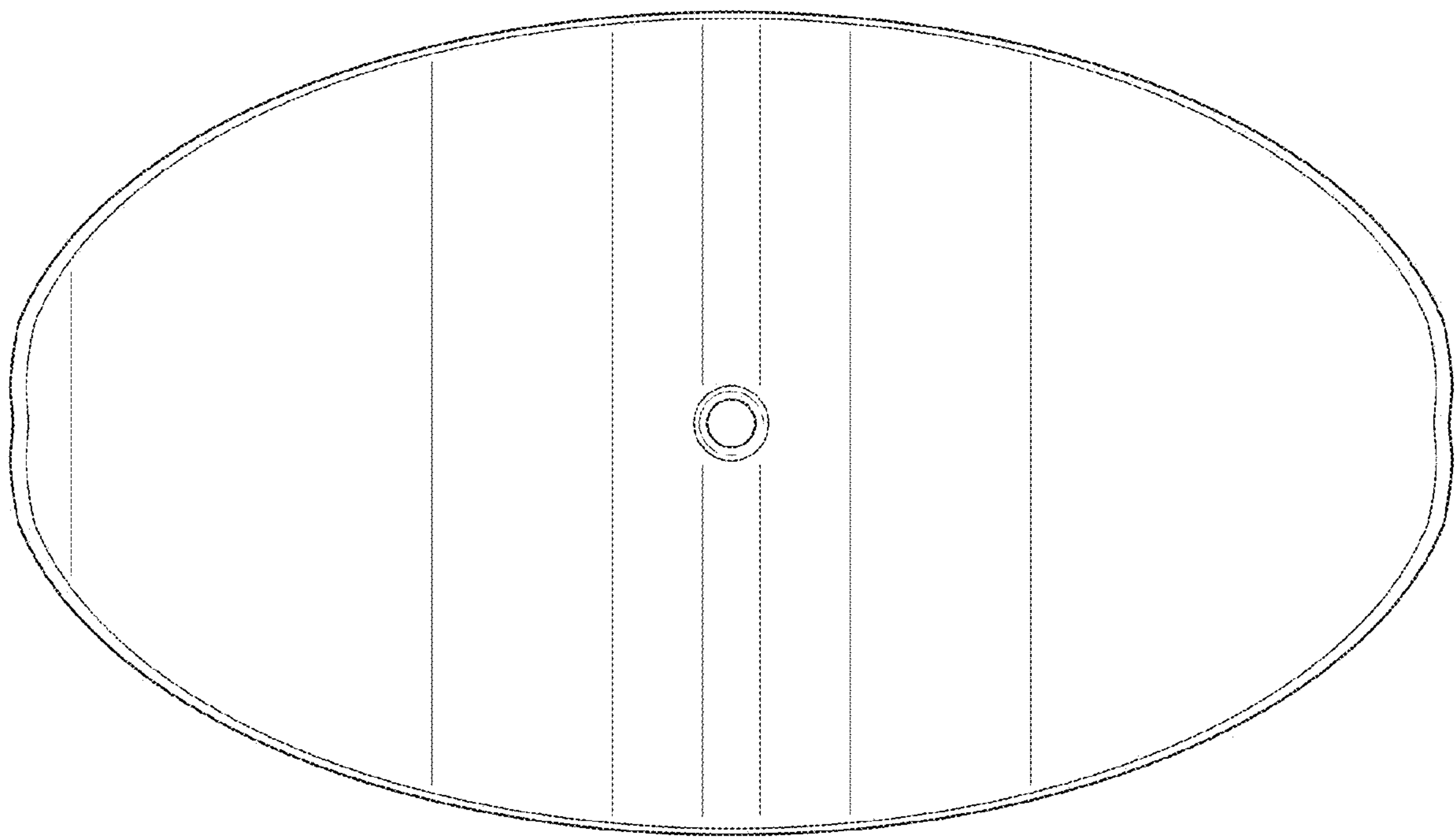


FIG. 3

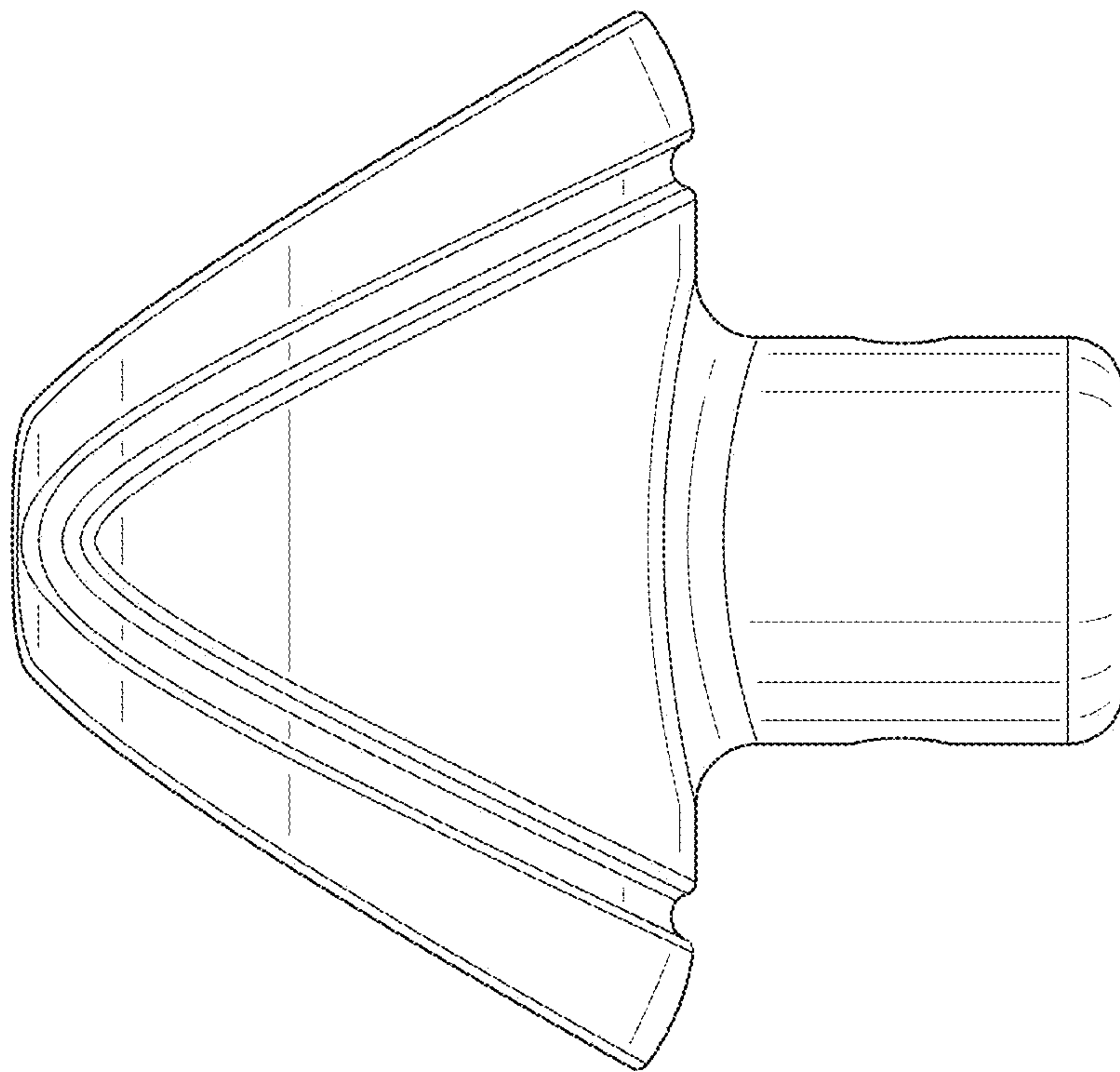


FIG. 4



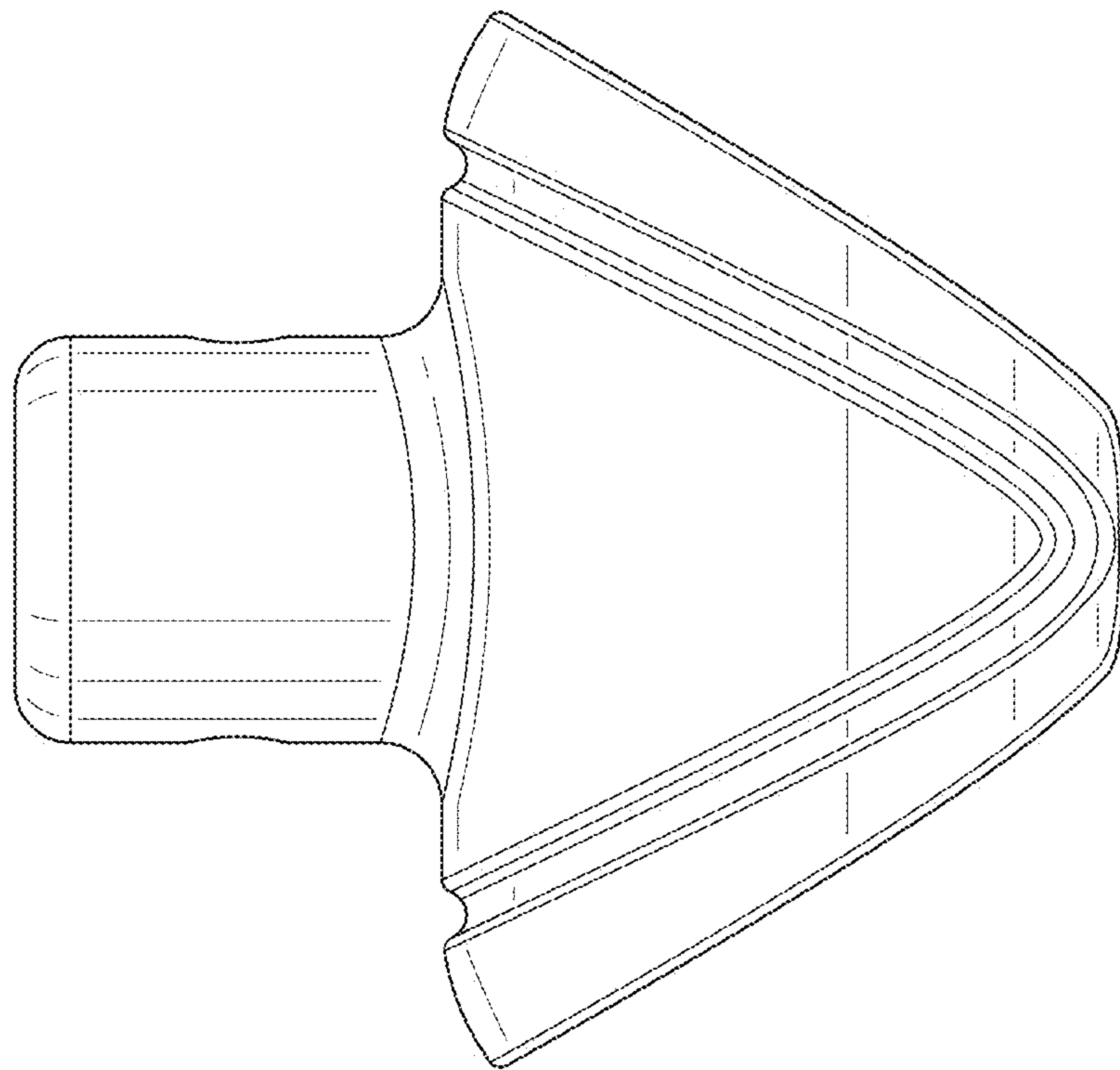


FIG. 5

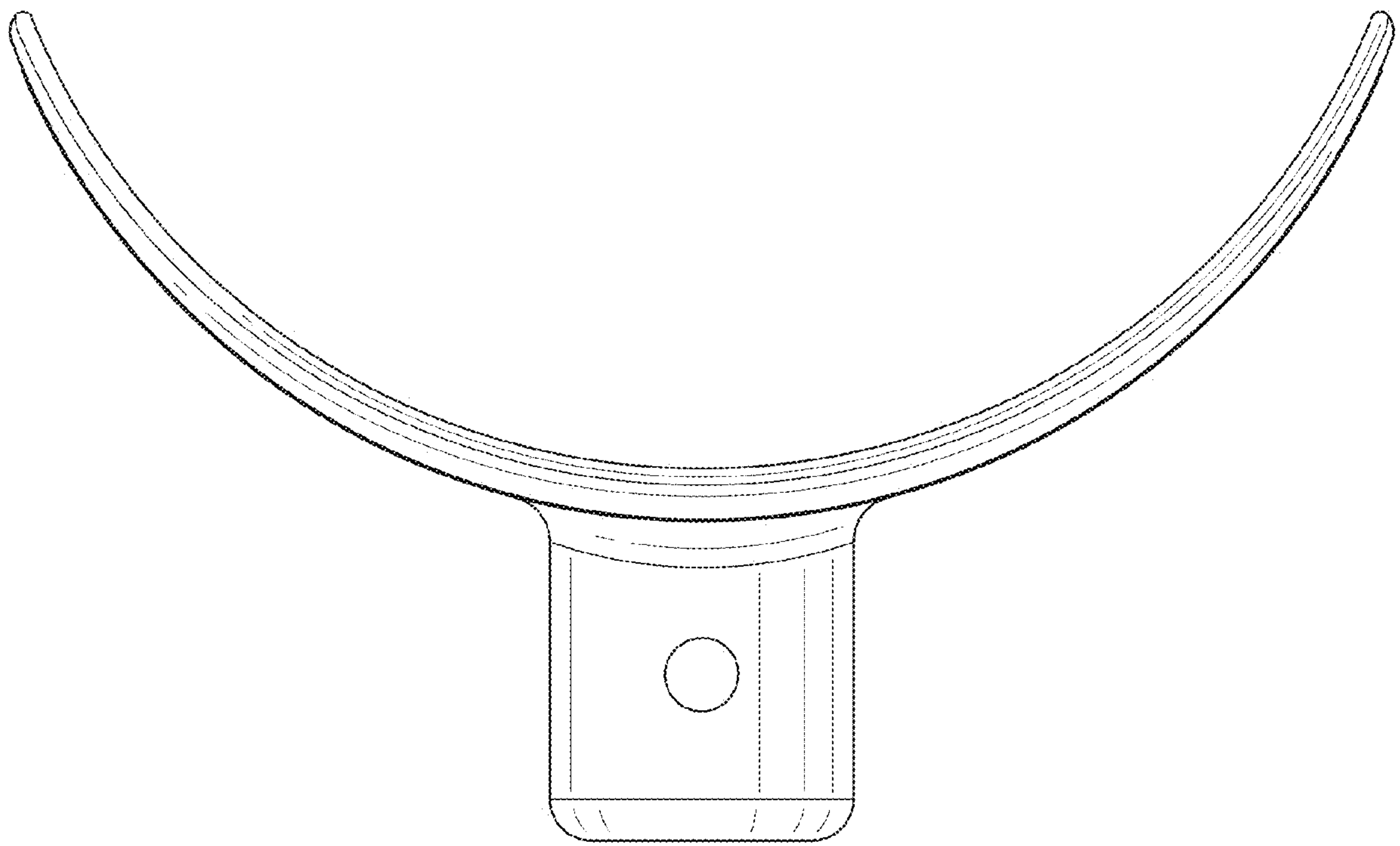


FIG. 6

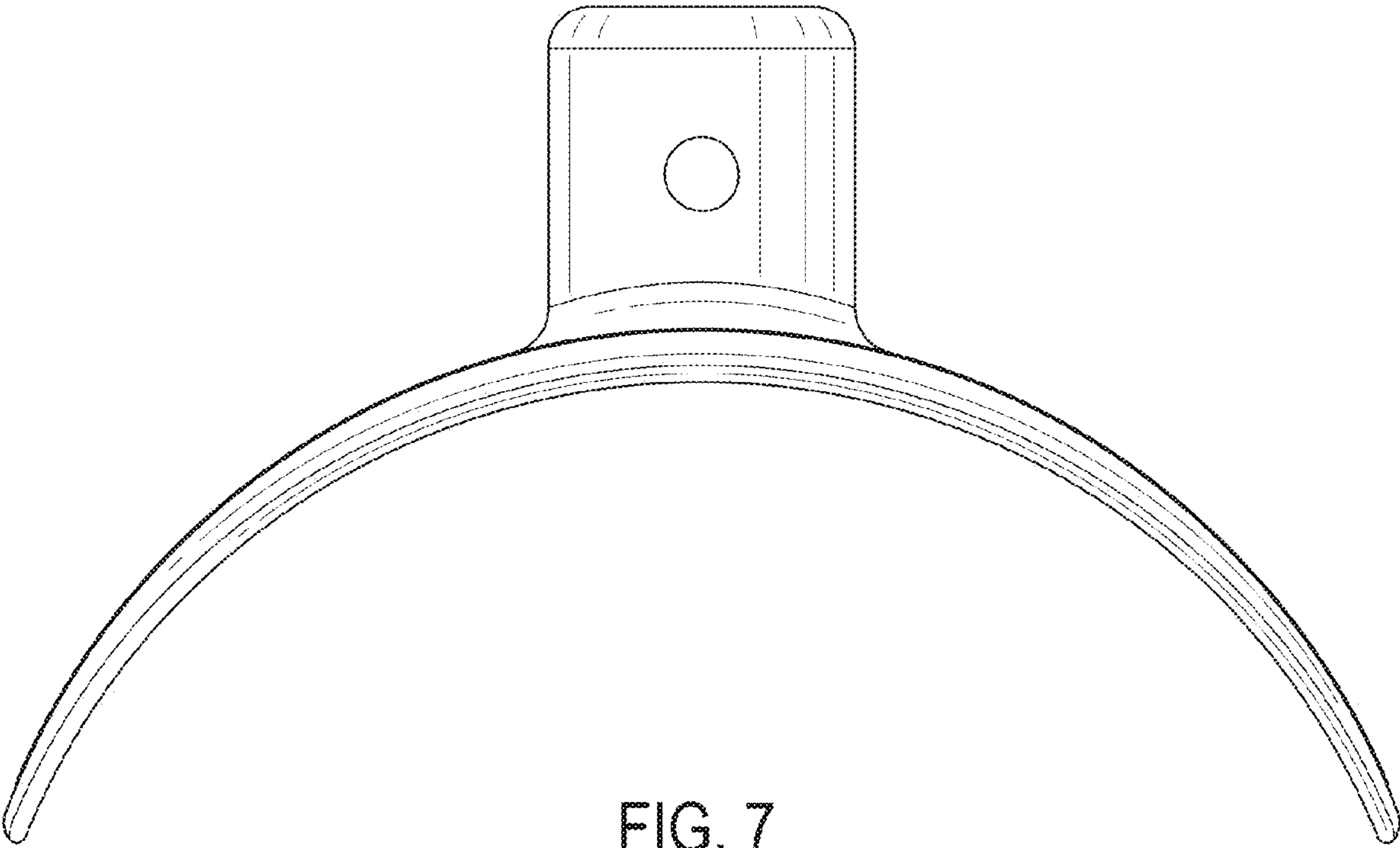


FIG. 7