



US00D888858S

(12) **United States Design Patent**
Fugel

(10) **Patent No.:** **US D888,858 S**
(45) **Date of Patent:** **** Jun. 30, 2020**

- (54) **SKATEBOARD ACCESSORY MOUNT**
- (71) Applicant: **Tedy Fugel**, Los Angeles, CA (US)
- (72) Inventor: **Tedy Fugel**, Los Angeles, CA (US)
- (**) Term: **15 Years**
- (21) Appl. No.: **29/708,542**
- (22) Filed: **Oct. 7, 2019**
- (51) **LOC (12) Cl.** **21-02**
- (52) **U.S. Cl.**
USPC **D21/771**
- (58) **Field of Classification Search**
USPC D21/423, 765, 771, 779
CPC A63C 17/01; A63C 17/011; A63C 17/012;
A63C 17/014; A63C 17/015; A63C
17/0093; A63C 17/02; A63C 17/04; A63C
17/26
See application file for complete search history.

(56) **References Cited**

U.S. PATENT DOCUMENTS

6,646,547	B2 *	11/2003	Chiu	G08B 5/004 280/87.042
7,007,977	B1 *	3/2006	Gallagher	A63C 17/012 280/11.27
D697,570	S *	1/2014	Samuels	D21/771
8,870,475	B1 *	10/2014	Bennett	G03B 17/561 396/419
D719,628	S *	12/2014	Samuels	D21/771
9,375,633	B2 *	6/2016	Carlson	A63C 17/017
9,604,125	B2	3/2017	Page		
9,802,110	B1 *	10/2017	Miller	A63C 17/26
9,878,230	B1	1/2018	Seele		

10,022,616	B1	7/2018	Consol		
D865,097	S *	10/2019	Dumas	D21/771
2004/0100055	A1 *	5/2004	Chang	A63C 17/01 280/87.042
2008/0036165	A1 *	2/2008	Reinson	A63C 17/01 280/87.042
2009/0236811	A1 *	9/2009	Lewis	A63C 17/0093 280/87.042
2011/0221150	A1 *	9/2011	Harris	A63C 17/0093 280/87.042
2016/0175693	A1 *	6/2016	Page	A63C 17/26 280/87.042
2016/0195246	A1 *	7/2016	Carattini	F21S 45/00 362/486
2017/0326434	A1	11/2017	Faeth		

* cited by examiner

Primary Examiner — Cynthia M. Chin
(74) *Attorney, Agent, or Firm* — Camuti Law Group, APC; Nathan Camuti

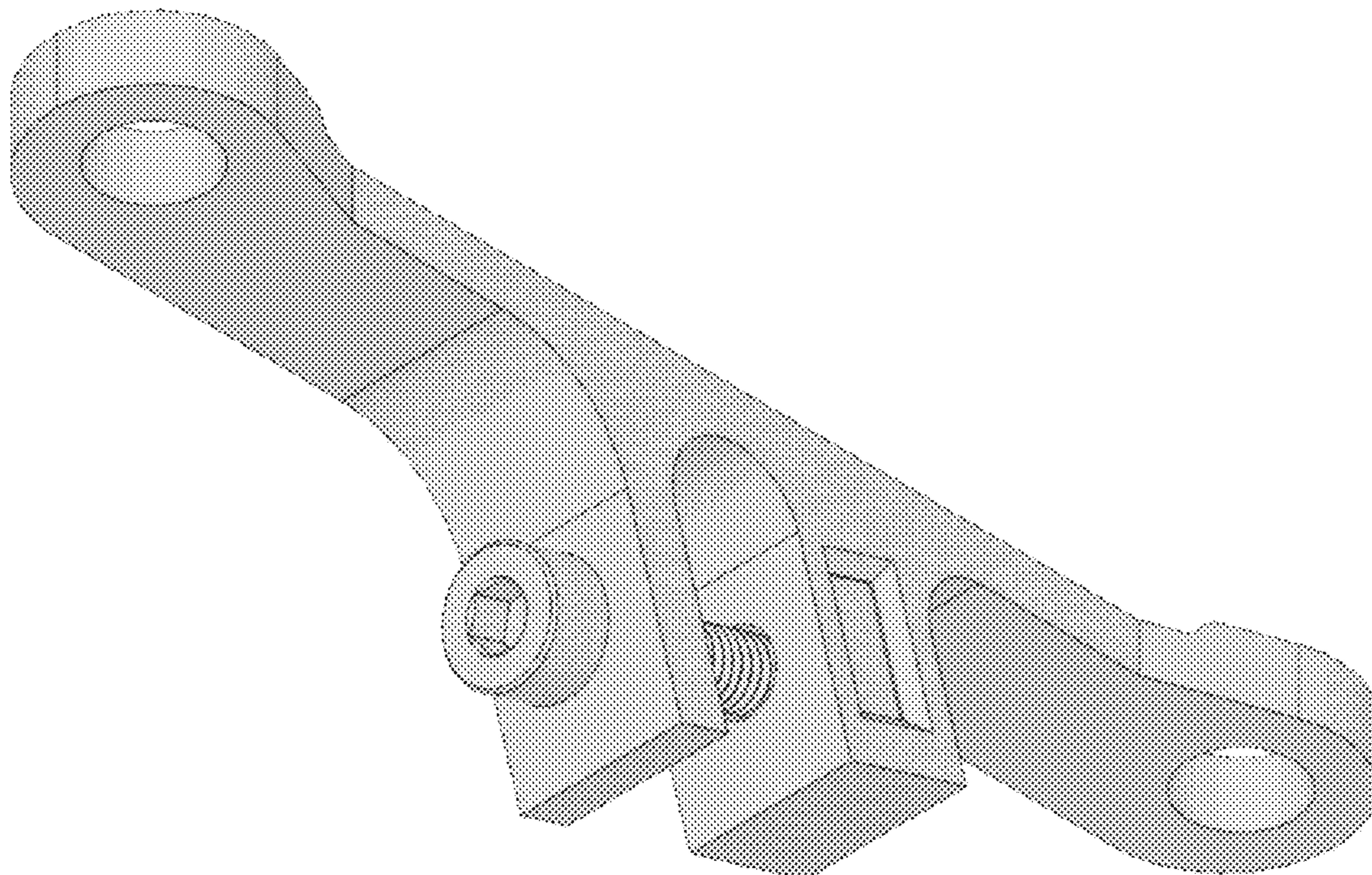
(57) **CLAIM**

The ornamental design for a skateboard accessory mount, as shown and described.

DESCRIPTION

FIG. 1 shows a three-dimensional rendering of a perspective view of a of the skateboard accessory mount in accordance with the present the invention;
FIG. 2 shows another three-dimensional rendering of another perspective view of the skateboard accessory mount of FIG. 1; and,
FIG. 3 shows another three-dimensional rendering of another perspective view of the skateboard accessory mount of FIG. 1.

1 Claim, 3 Drawing Sheets



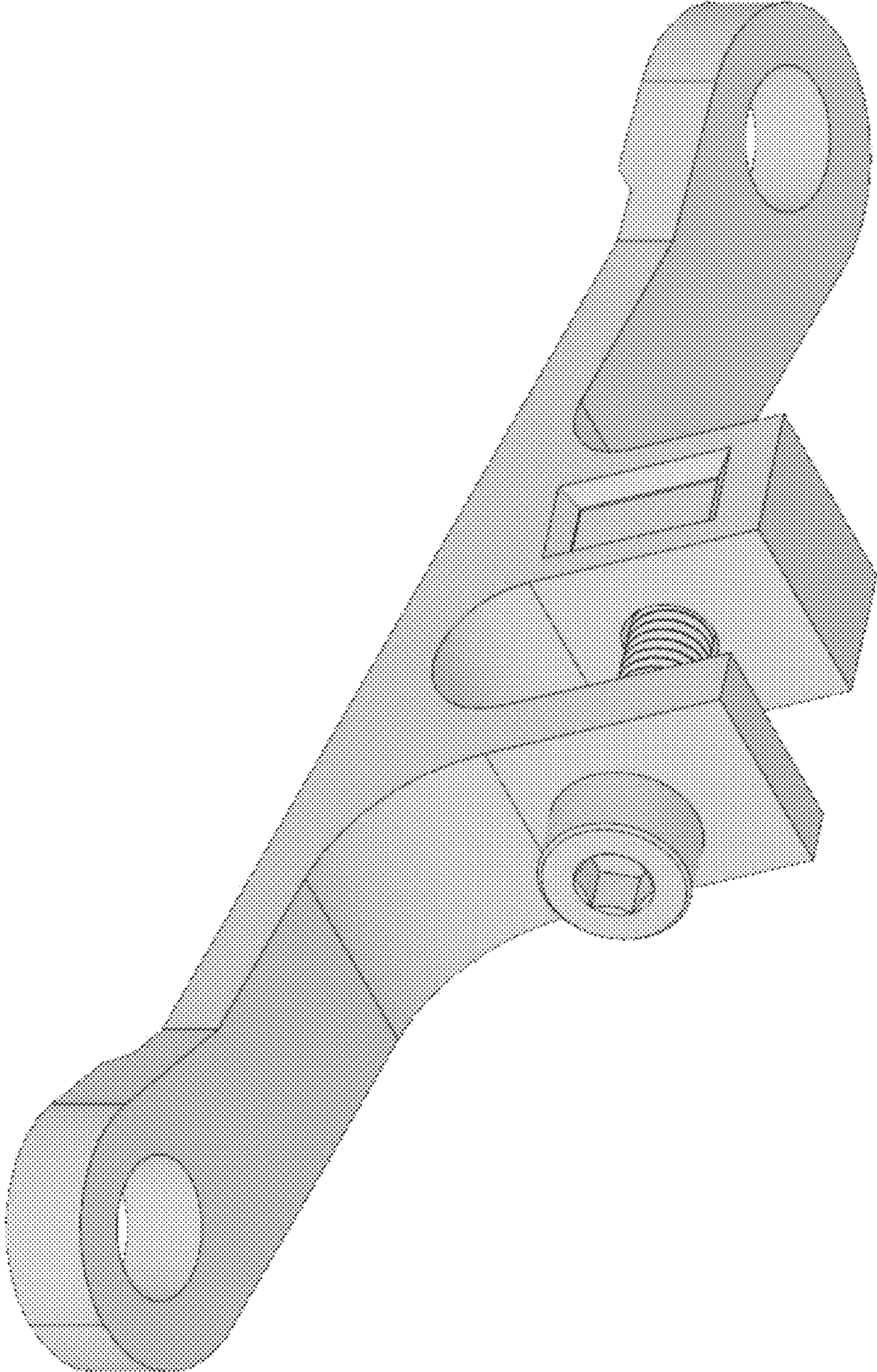


FIGURE 1

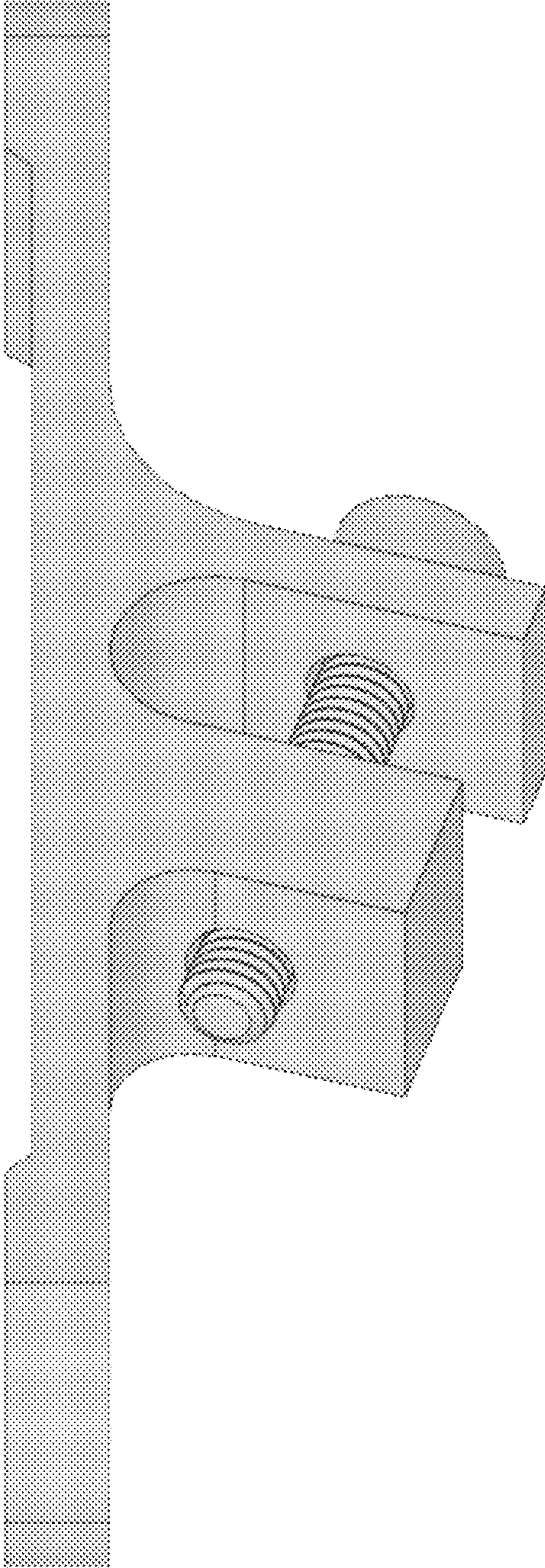


FIGURE 2

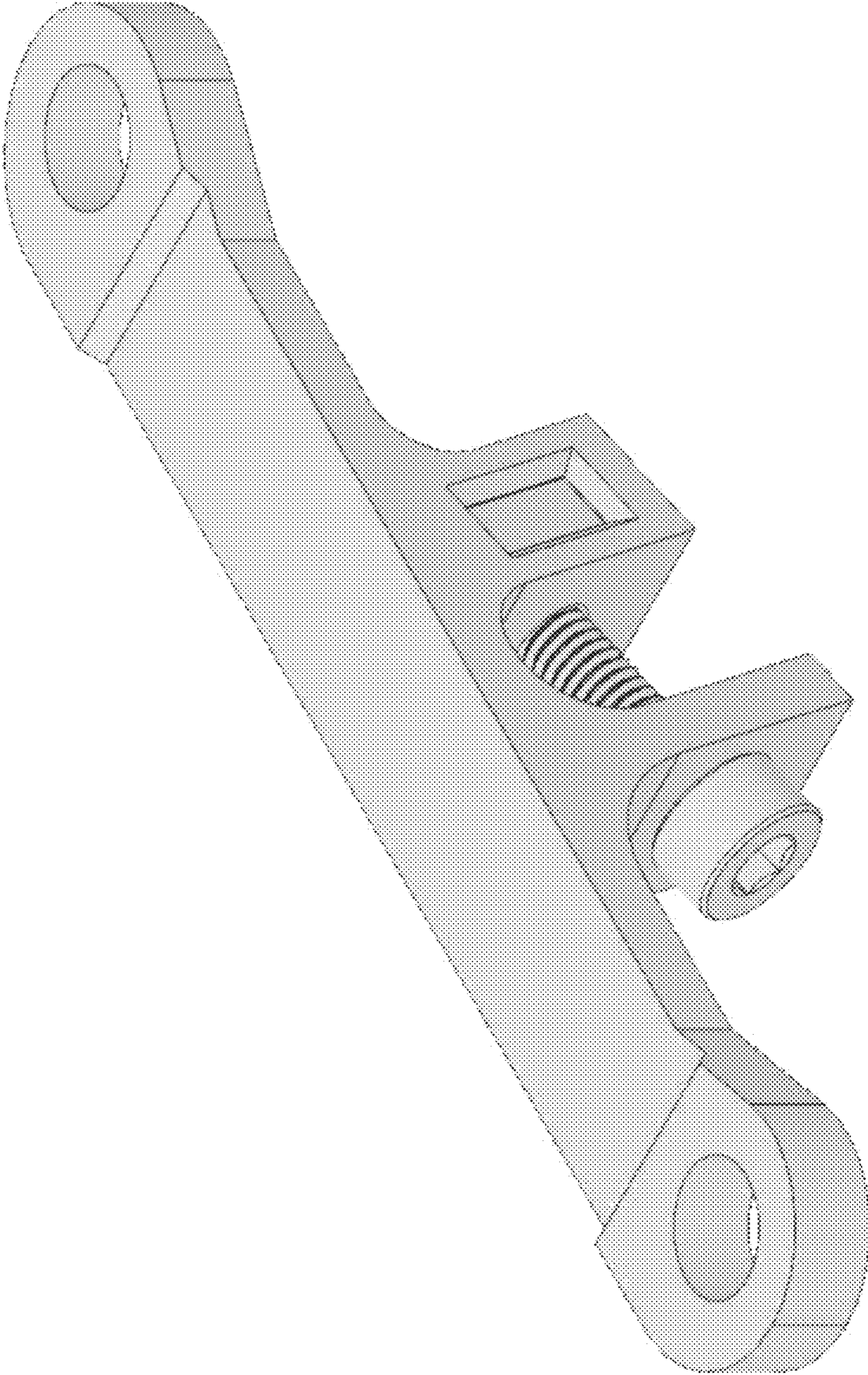


FIGURE 3