



US00D888848S

(12) **United States Design Patent**
Owusu

(10) **Patent No.:** **US D888,848 S**
(45) **Date of Patent:** **** Jun. 30, 2020**

(54) **EXERCISE SYSTEM**

DESCRIPTION

(71) Applicant: **JAXAMO LTD**, Bedfordshire (GB)
(72) Inventor: **Stephen Owusu**, Newcastle, WA (US)
(73) Assignee: **Jaxamo LTD**, Bedfordshire (GB)
(**) Term: **15 Years**
(21) Appl. No.: **29/635,801**
(22) Filed: **Feb. 2, 2018**
(51) **LOC (12) Cl.** **21-02**
(52) **U.S. Cl.**
USPC **D21/680**
(58) **Field of Classification Search**
USPC D21/680, 682, 681, 686, 662, 692, 689,
D21/687, 684, 679, 678, 671; 482/108,
482/109, 106, 93, 107, 98, 91, 139, 104,
482/44, 55, 51, 47, 45, 49, 141; D30/160
CPC . A63B 21/072; A63B 21/075; A63B 21/4035;
A63B 21/0726; A63B 21/0602; A63B
21/0728; A63B 21/0004; A63B 21/00065;
A63B 21/4043; A63B 23/1236;
(Continued)

(56) **References Cited**

U.S. PATENT DOCUMENTS

6,540,650 B1 4/2003 Krull
D481,771 S * 11/2003 Anderson A63B 21/072
D21/681
6,746,381 B2 6/2004 Krull
(Continued)

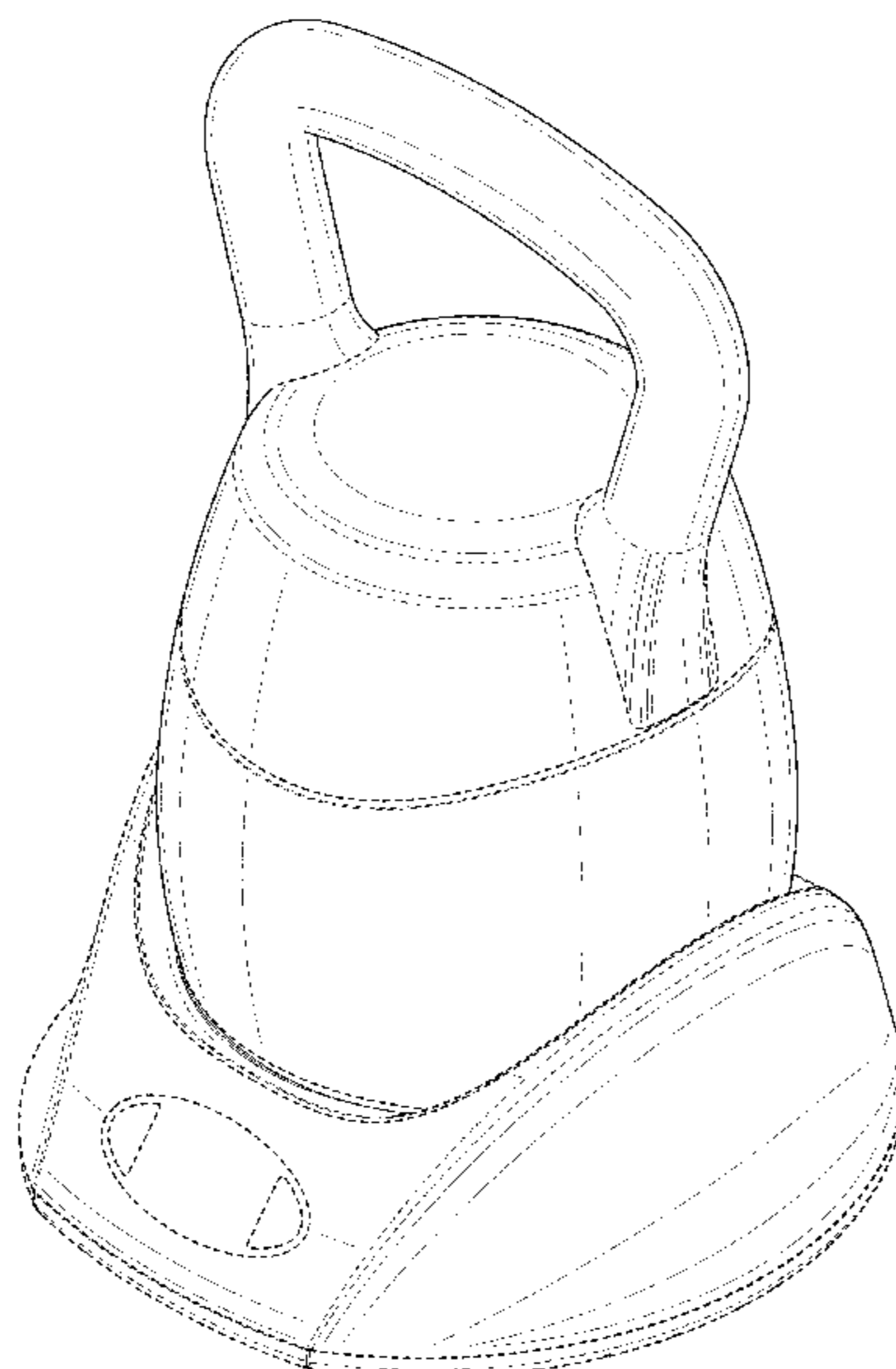
Primary Examiner — Ryan Harvey
(74) *Attorney, Agent, or Firm* — RatnerPrestia

(57) **CLAIM**

The ornamental design for an exercise system, as shown and described.

FIG. 1 is a perspective view from above and in front of an embodiment of an exercise system;
FIG. 2 is a perspective view from below and behind of the exercise system of FIG. 1;
FIG. 3 is a front view of the exercise system of FIG. 1;
FIG. 4 is a rear view of the exercise system of FIG. 1;
FIG. 5 is a left side view of the exercise system of FIG. 1, the right side being a mirror image thereof;
FIG. 6 is a top view of the exercise system of FIG. 1;
FIG. 7 is a bottom perspective view of the exercise system of FIG. 1;
FIG. 8 is a perspective view from above and in front of an exercise device of the exercise system shown removed from the base for clarity of disclosure;
FIG. 9 is a perspective view from below and behind of the exercise device of FIG. 8;
FIG. 10 is a front view of the exercise device of FIG. 8;
FIG. 11 is a rear view of the exercise device of FIG. 8;
FIG. 12 is a left side view of the exercise device of FIG. 8, the right side being a mirror image thereof;
FIG. 13 is a top view of the exercise device of FIG. 8;
FIG. 14 is a bottom view of the exercise device of FIG. 8;
FIG. 15 is a perspective view from above and in front of the base of the exercise system shown removed from the exercise device for clarity of disclosure;
FIG. 16 is a perspective view from below and behind of the base of FIG. 15;
FIG. 17 is a front view of the base of FIG. 15;
FIG. 18 is a rear view of the base of FIG. 15;
FIG. 19 is a left side view of the base of FIG. 15, the right side being a mirror image thereof;
FIG. 20 is a top view of the base of FIG. 15; and,
FIG. 21 is a bottom view of the base of FIG. 15.
In the drawings, the evenly-spaced broken line showing of portions of the exercise system depicts environment and forms no part of the claim; the dash-dot-dash lines, shown in FIGS. 9 and 14, represent boundaries of the unclaimed internal portions of the design and form no part thereof.

1 Claim, 21 Drawing Sheets



(58) **Field of Classification Search**
 CPC . A63B 21/06; A63B 21/0601; A63B 21/0084;
 A63B 21/0724; A63B 23/03508
 See application file for complete search history.

(56) **References Cited**

U.S. PATENT DOCUMENTS

D522,594 S * 6/2006 Donahue D21/682
 D522,595 S * 6/2006 Donahue D21/682
 7,491,157 B1 * 2/2009 Lin A63B 21/072
 482/108
 7,563,208 B1 * 7/2009 Chen A63B 21/0728
 482/108
 7,614,983 B1 11/2009 Krull
 D616,949 S * 6/2010 Wang D21/682
 7,762,933 B1 * 7/2010 Yu A63B 21/075
 482/106
 D628,251 S * 11/2010 Krull D21/681
 7,883,452 B1 * 2/2011 Chen A63B 21/072
 482/108
 7,976,443 B2 7/2011 Krull
 7,981,012 B1 7/2011 Krull
 7,981,013 B2 7/2011 Krull
 D644,701 S * 9/2011 Towley, III D21/681
 8,021,282 B2 9/2011 Polevoy et al.
 D647,185 S * 10/2011 Gilbert D23/304
 D651,671 S * 1/2012 Ross D21/662
 D651,672 S * 1/2012 Towley, III D21/681
 D652,877 S * 1/2012 Dalebout D21/682
 D653,715 S * 2/2012 Tumminia A63B 21/072
 D21/679
 D653,716 S * 2/2012 Lin D21/682
 D654,971 S * 2/2012 Januszek D21/682
 D656,206 S * 3/2012 Lutz D21/681
 D664,613 S * 7/2012 Dalebout D21/682
 8,267,841 B1 * 9/2012 Allison A63B 21/06
 482/106
 D683,803 S * 6/2013 Childs D21/681
 D685,866 S * 7/2013 Kinsbourne D21/682
 D692,509 S * 10/2013 Kessler D21/682
 8,771,153 B2 7/2014 Dalebout et al.
 8,784,280 B2 7/2014 Krull
 D715,177 S * 10/2014 Vaughan D11/81
 D726,264 S * 4/2015 Agate D21/682
 D726,843 S * 4/2015 Barton D21/682
 D728,040 S * 4/2015 Peterson D21/680
 9,022,906 B1 * 5/2015 Nelson A63B 21/075
 482/108
 9,597,542 B2 * 3/2017 Marich A63B 21/072
 D796,592 S * 9/2017 Towley D21/682
 D799,975 S * 10/2017 Anvaripour D9/532

D811,019 S * 2/2018 Alton D30/160
 9,914,007 B2 * 3/2018 Pawlas A63B 21/4035
 10,099,083 B1 * 10/2018 Owusu A63B 71/0036
 D832,942 S * 11/2018 Arceta D21/680
 10,166,429 B2 * 1/2019 Chen A63B 21/075
 10,420,978 B2 * 9/2019 Wang A63B 21/075
 10,463,906 B2 * 11/2019 Owusu A63B 21/0726
 2004/0005970 A1 * 1/2004 Anderson A63B 21/072
 482/108
 2006/0035767 A1 * 2/2006 Ekhaus A63B 21/0601
 482/108
 2007/0087914 A1 * 4/2007 Connelly A63B 21/072
 482/93
 2007/0135274 A1 * 6/2007 Blateri A63B 21/075
 482/109
 2008/0081744 A1 * 4/2008 Gormley A63B 21/072
 482/93
 2009/0062085 A1 * 3/2009 Polevoy A63B 21/0728
 482/93
 2010/0048362 A1 * 2/2010 Liford A63B 21/072
 482/93
 2010/0190619 A1 * 7/2010 Chen A63B 21/072
 482/108
 2010/0248910 A1 * 9/2010 DiLuglio A63B 21/0602
 482/93
 2010/0255960 A1 * 10/2010 Kessler A63B 21/072
 482/93
 2010/0331151 A1 * 12/2010 Signorile A63B 21/00196
 482/93
 2011/0028285 A1 * 2/2011 Towley, III A63B 21/0728
 482/108
 2011/0263392 A1 * 10/2011 Yu A63B 21/072
 482/93
 2011/0263393 A1 * 10/2011 Ross A63B 21/072
 482/93
 2011/0275494 A1 * 11/2011 Radi A63B 21/0602
 482/93
 2011/0306475 A1 * 12/2011 Caswell A63B 21/0601
 482/93
 2012/0046148 A1 * 2/2012 Aguila A63B 21/072
 482/93
 2012/0231936 A1 * 9/2012 Krull A63B 21/00065
 482/93
 2012/0252641 A1 * 10/2012 Odneal A63B 21/072
 482/108
 2015/0105224 A1 * 4/2015 Odneal A63B 21/0726
 482/107
 2015/0196792 A1 * 7/2015 Towley A63B 21/075
 482/93
 2017/0259106 A1 * 9/2017 Pawlas A63B 21/4035
 2018/0117387 A1 * 5/2018 Wang A63B 21/072

* cited by examiner

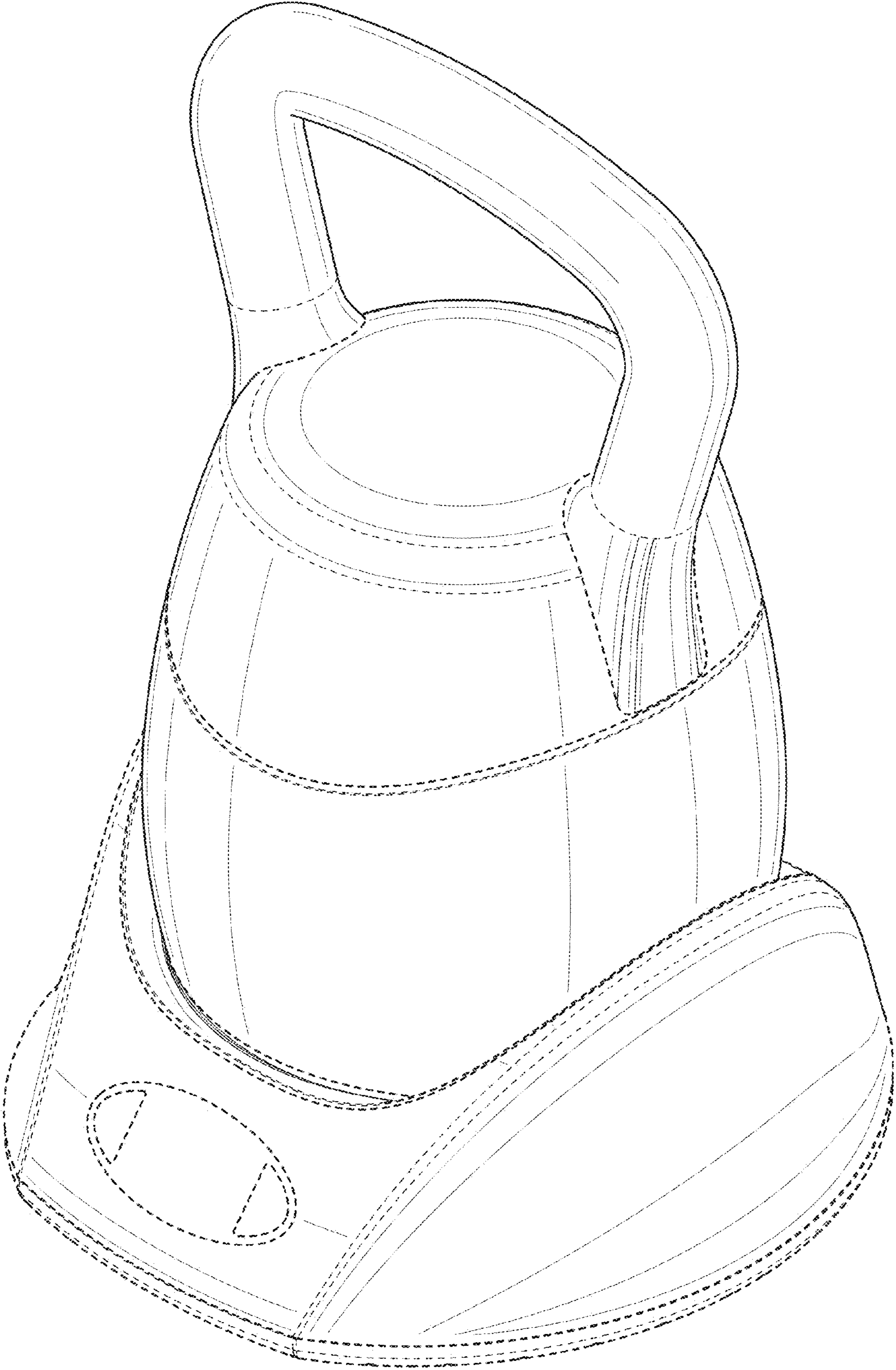


FIG. 1

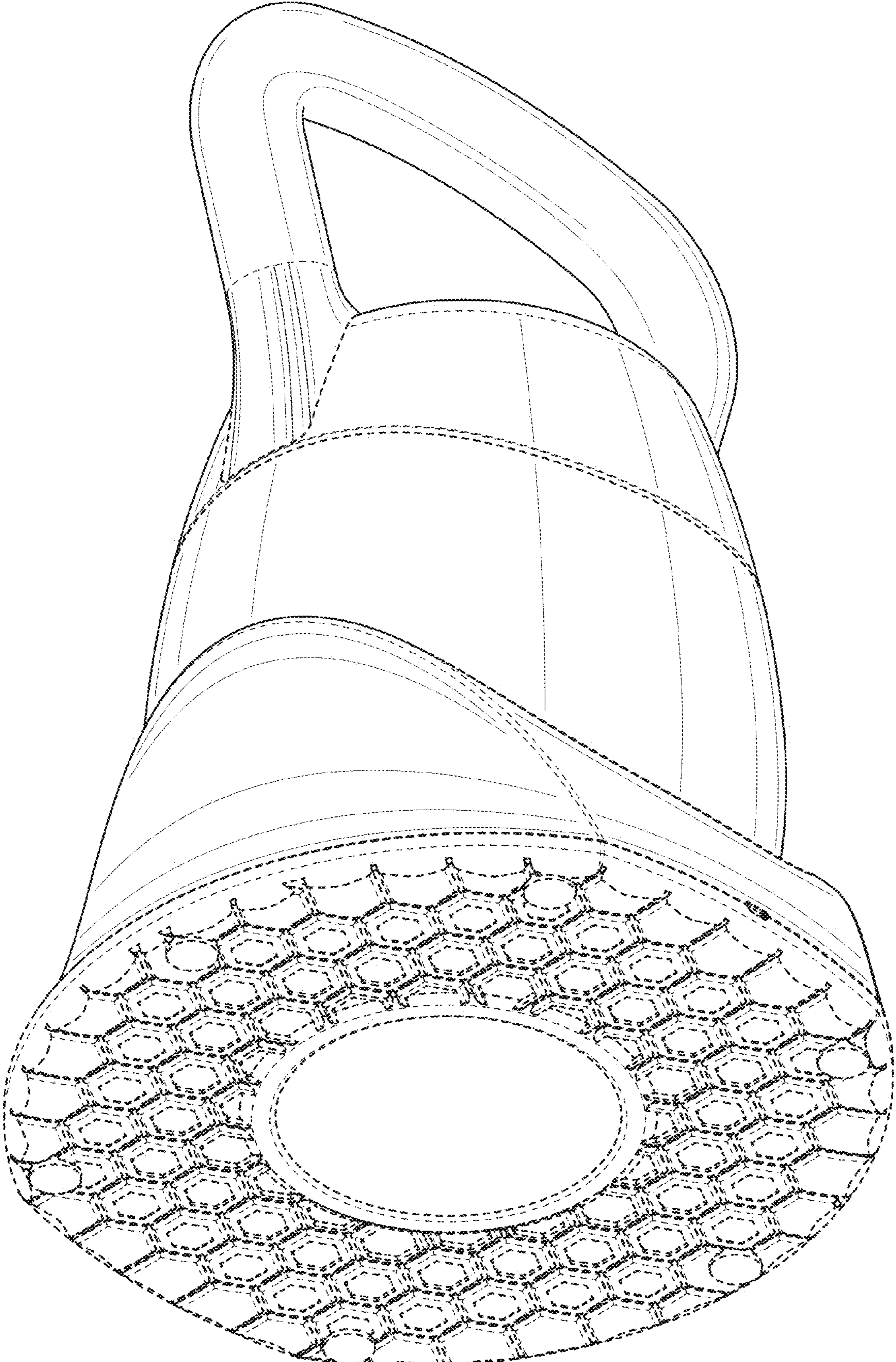


FIG. 2

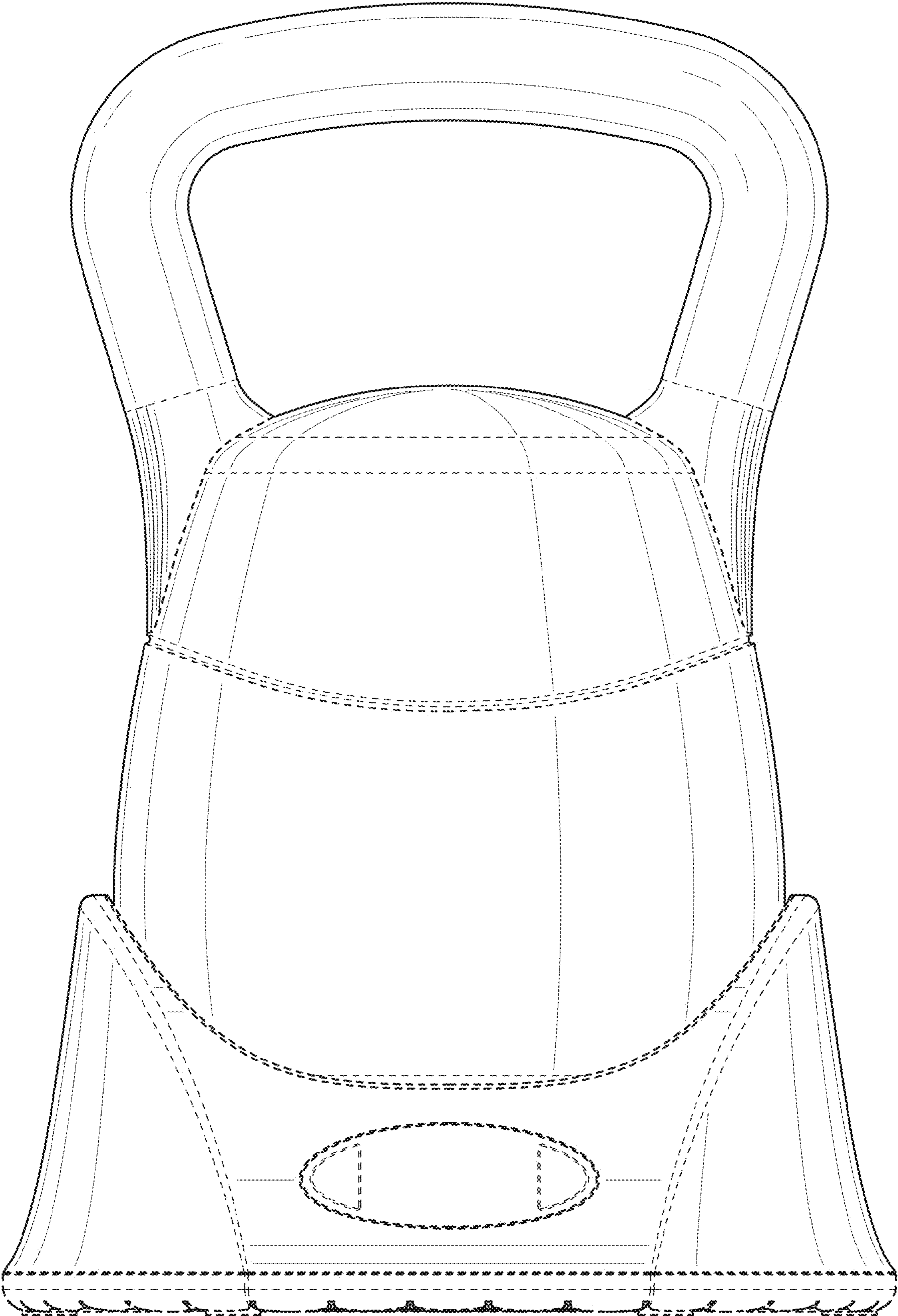


FIG. 3

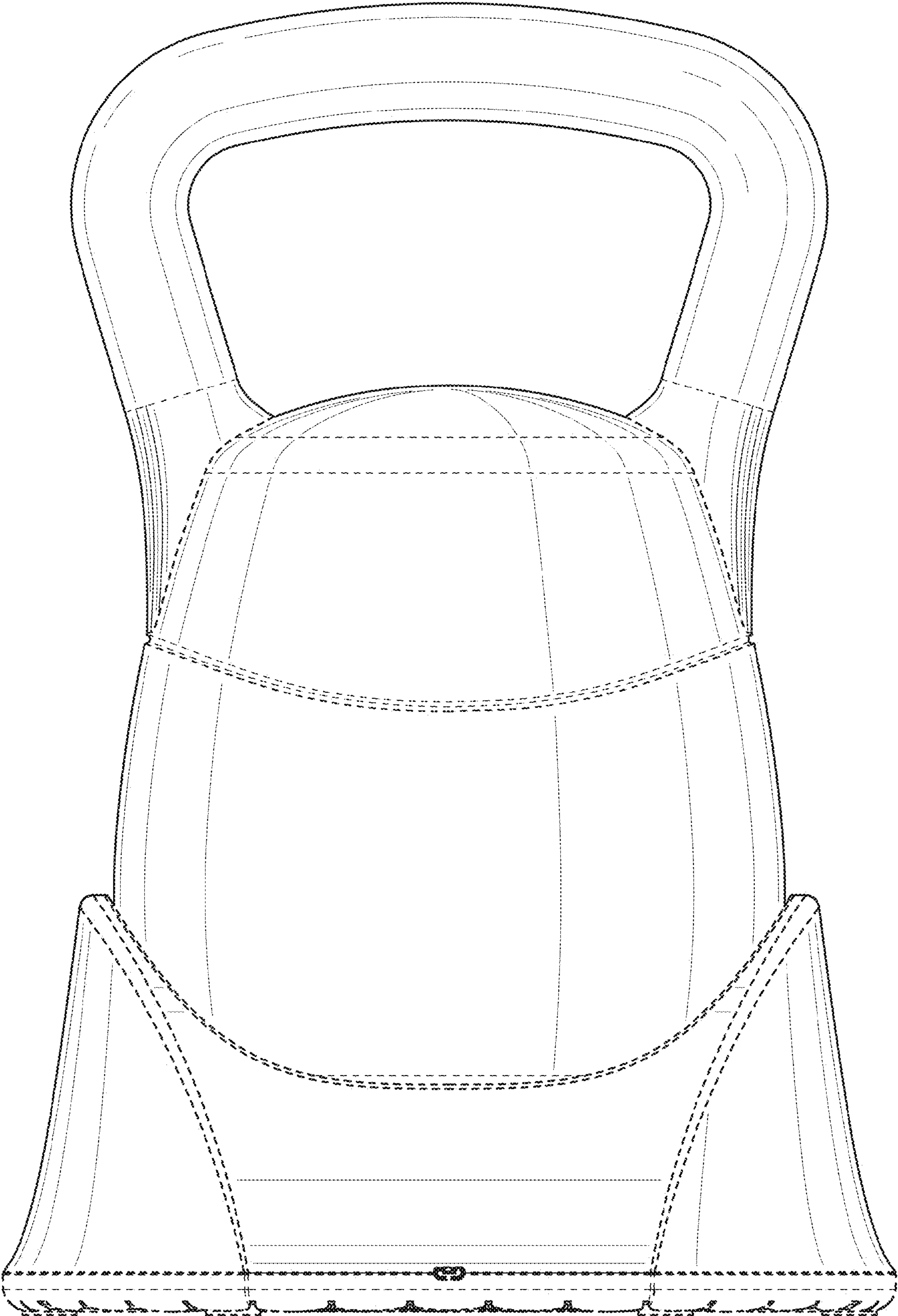


FIG. 4

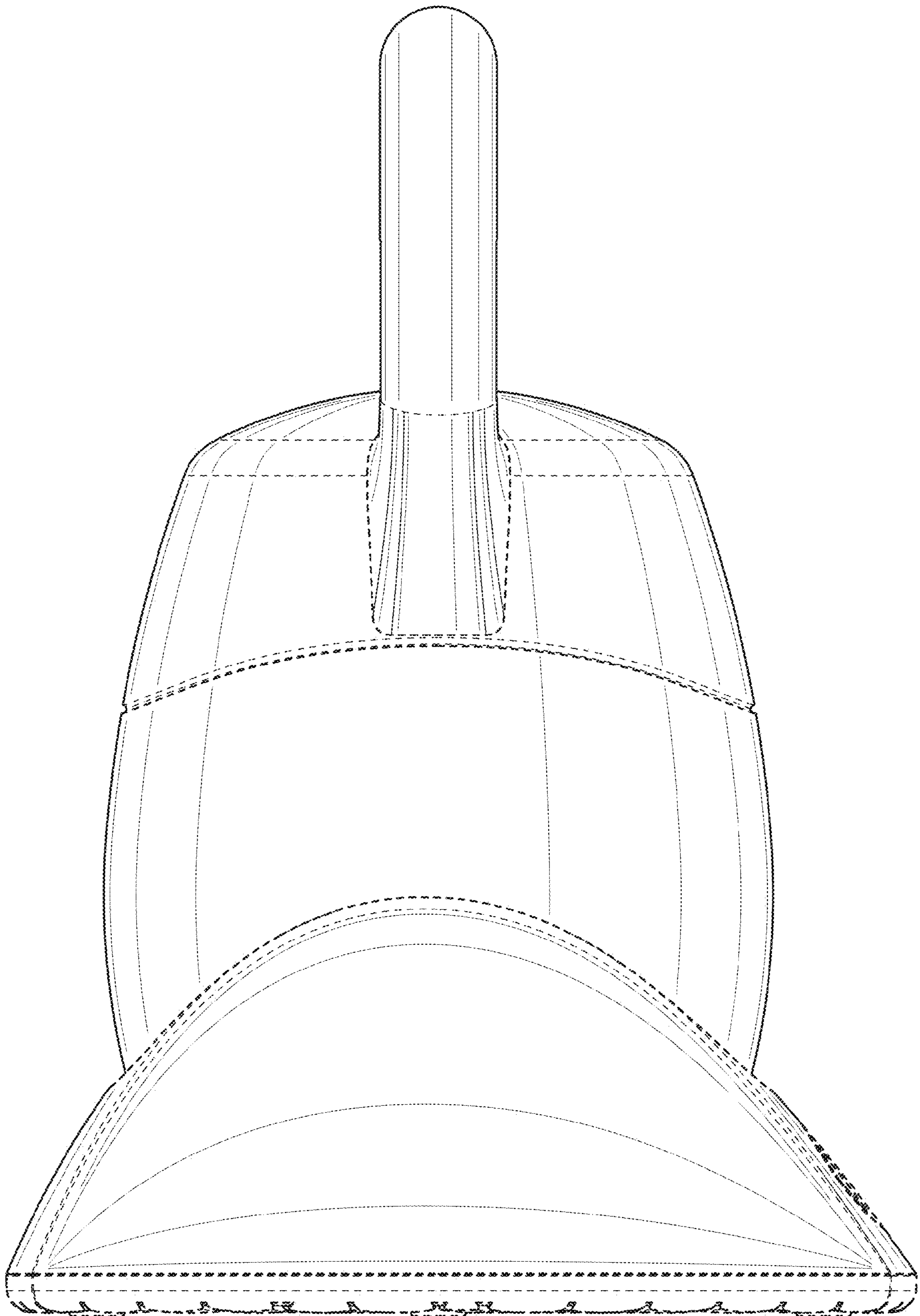


FIG. 5

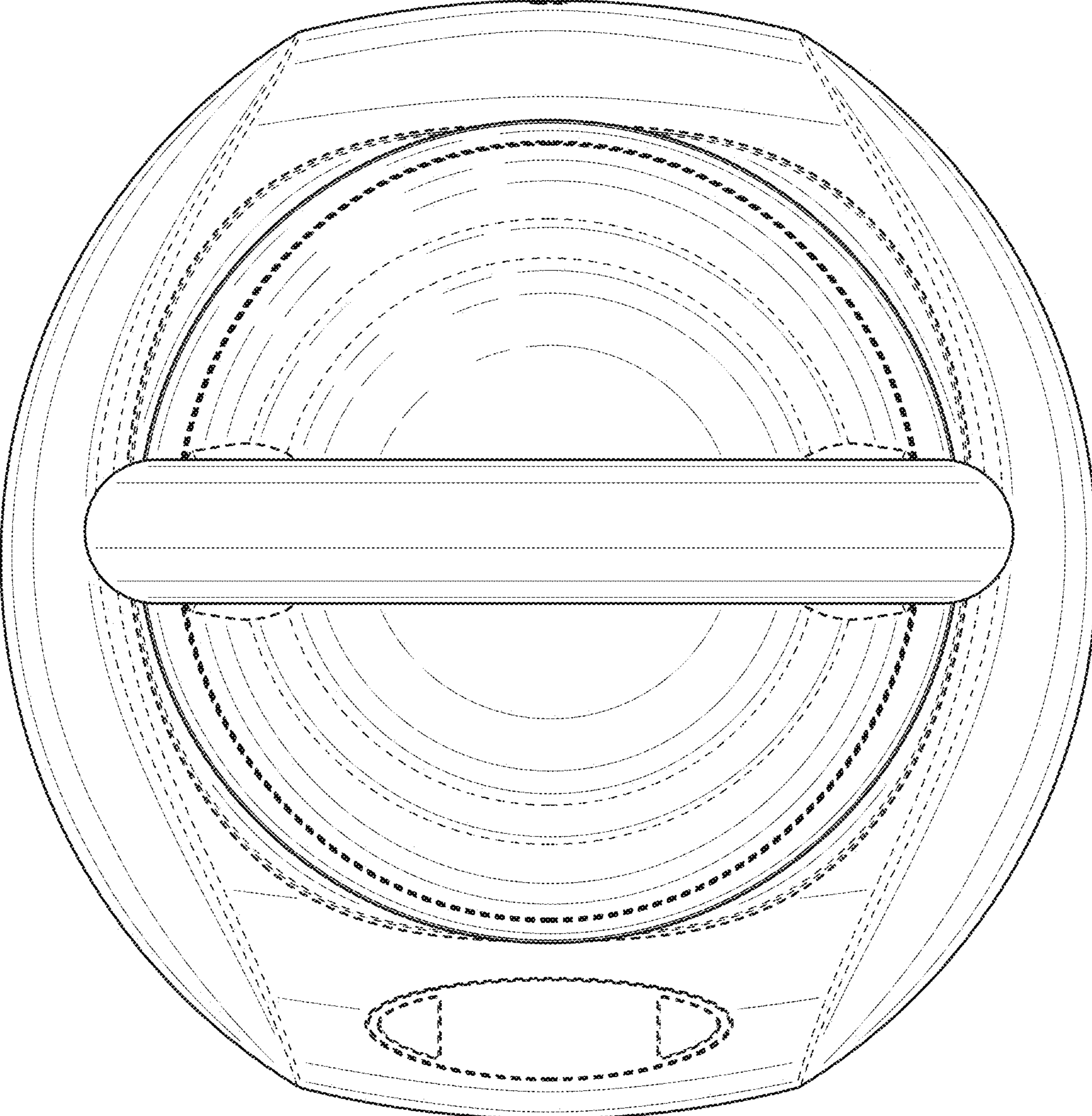


FIG. 6

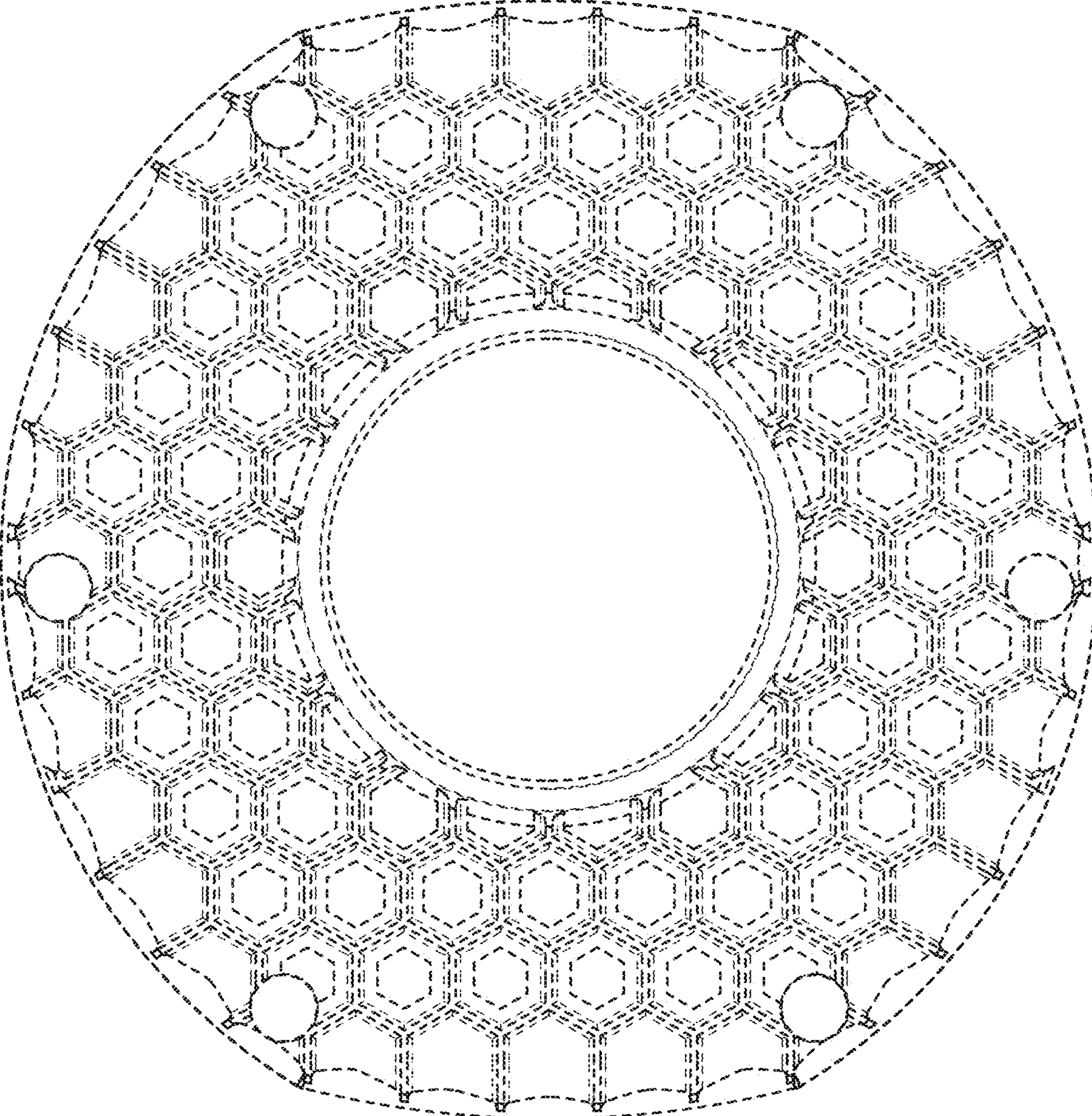


FIG. 7

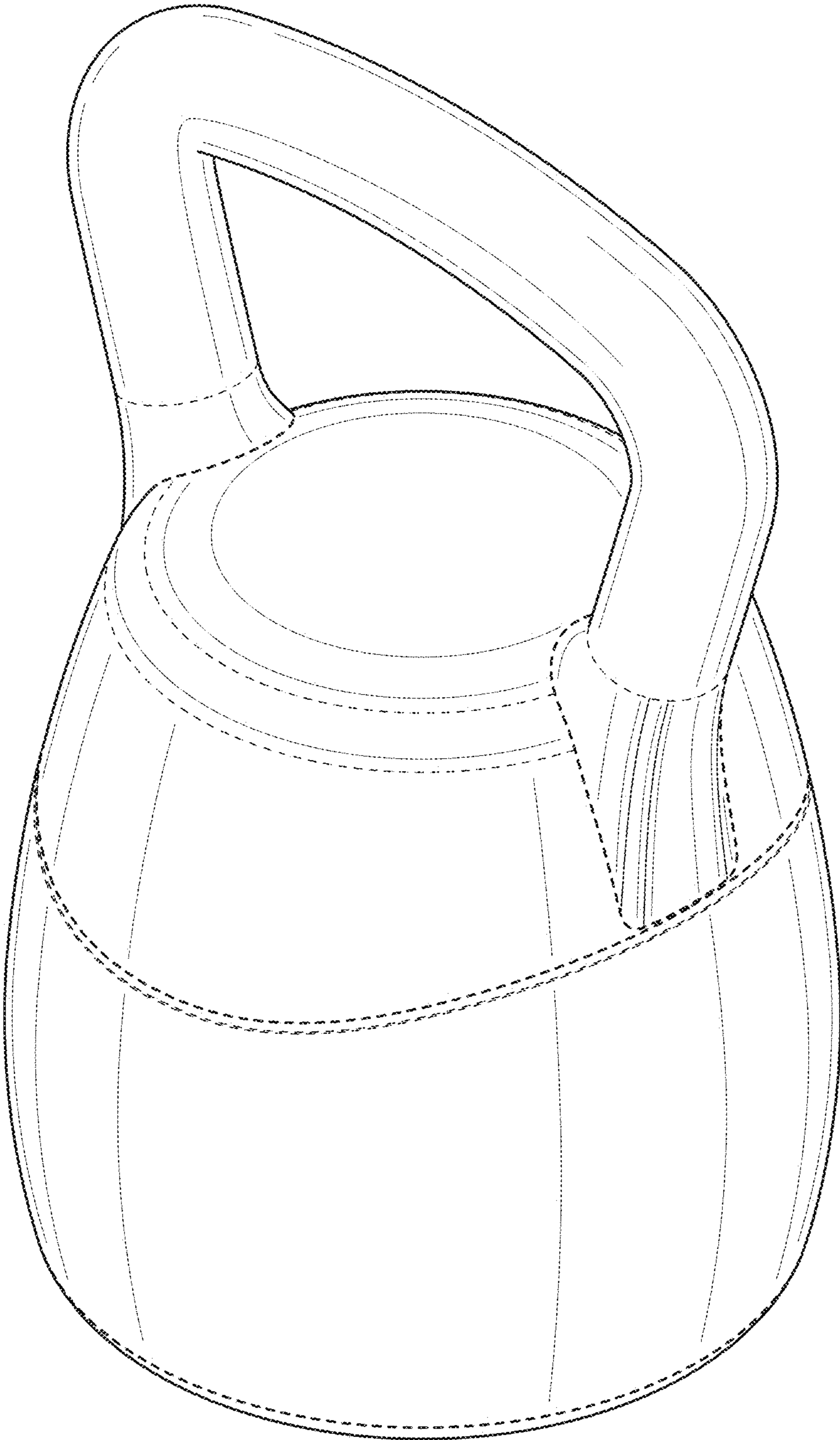


FIG. 8

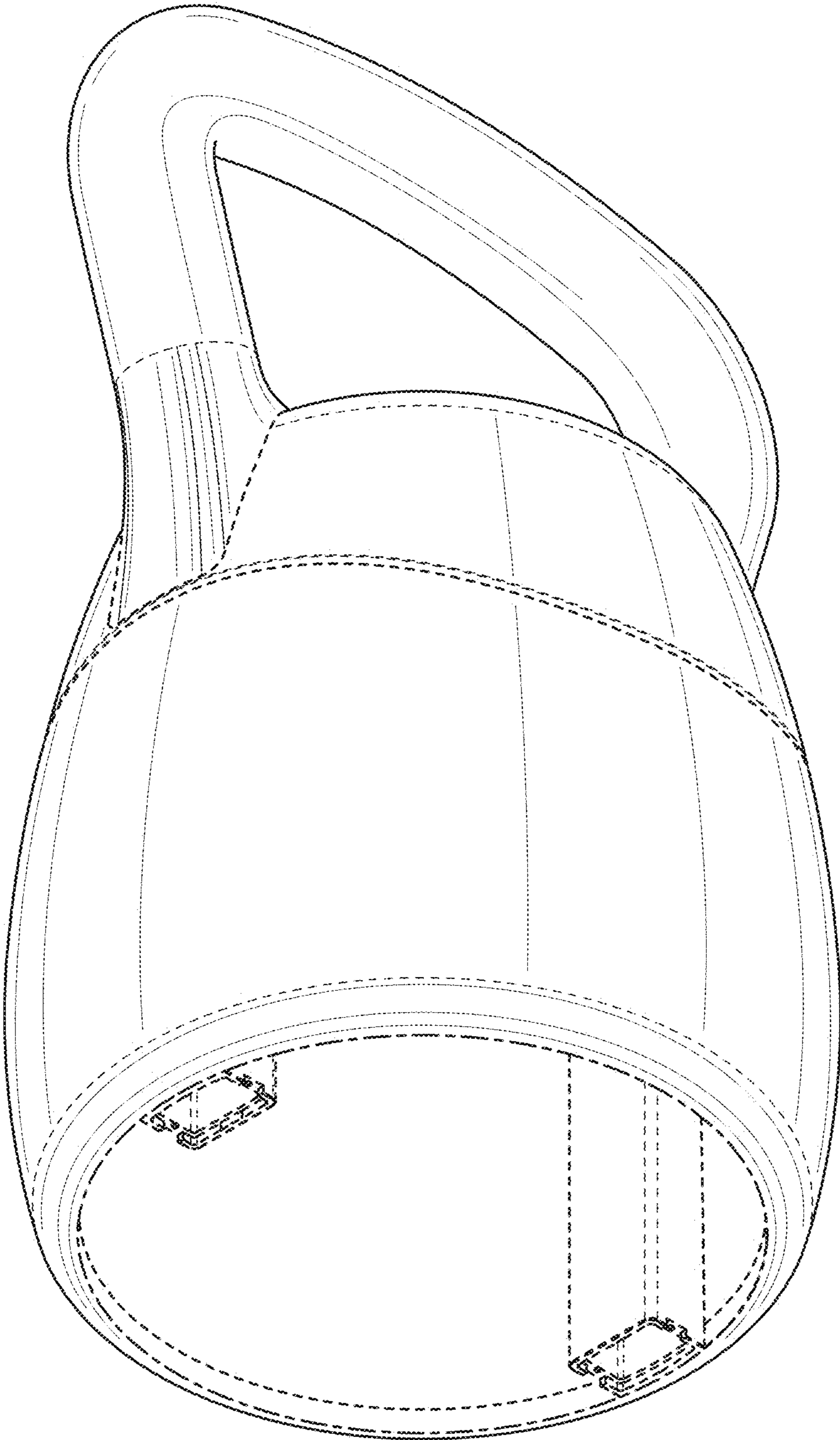


FIG. 9

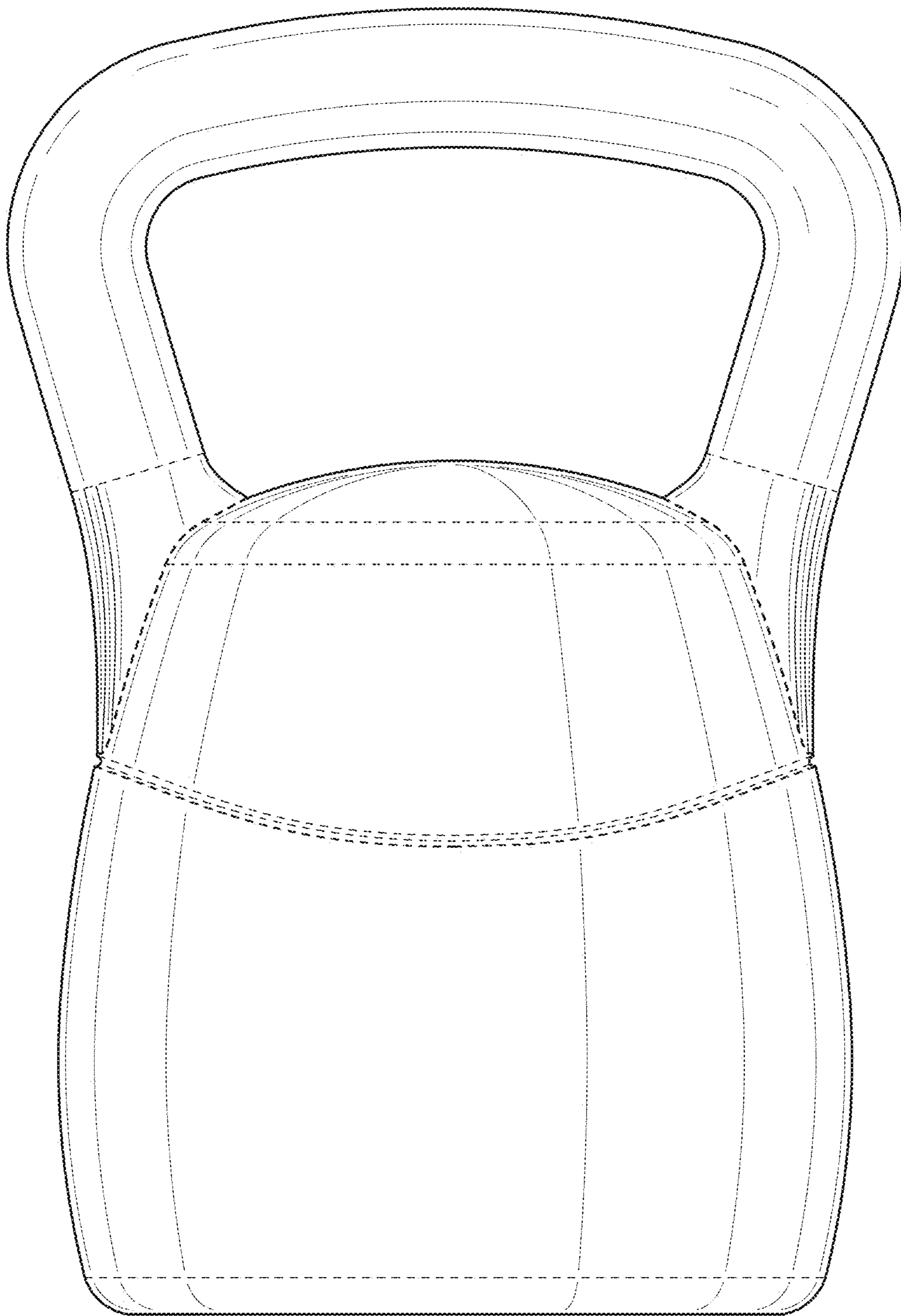


FIG. 10

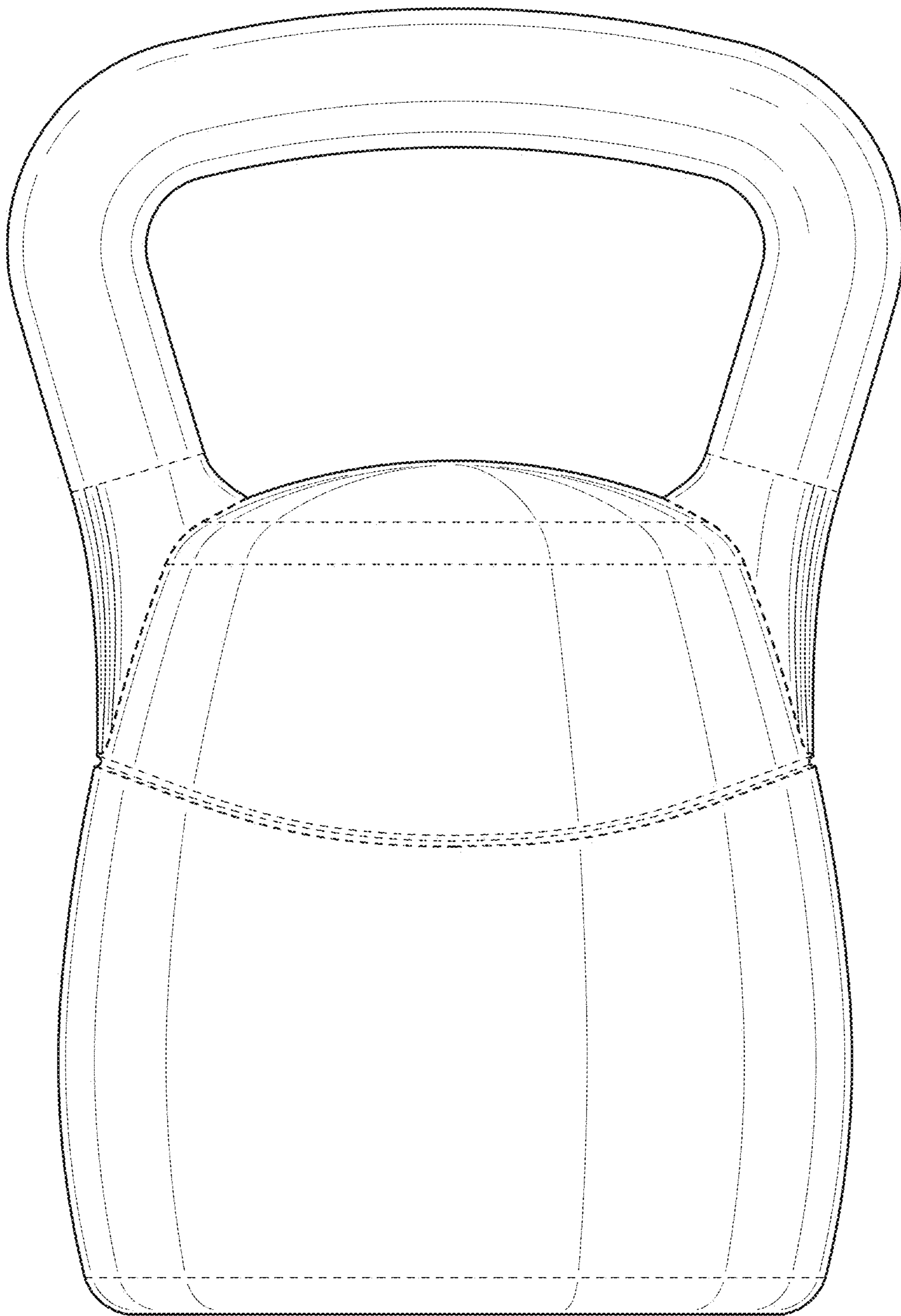


FIG. 11

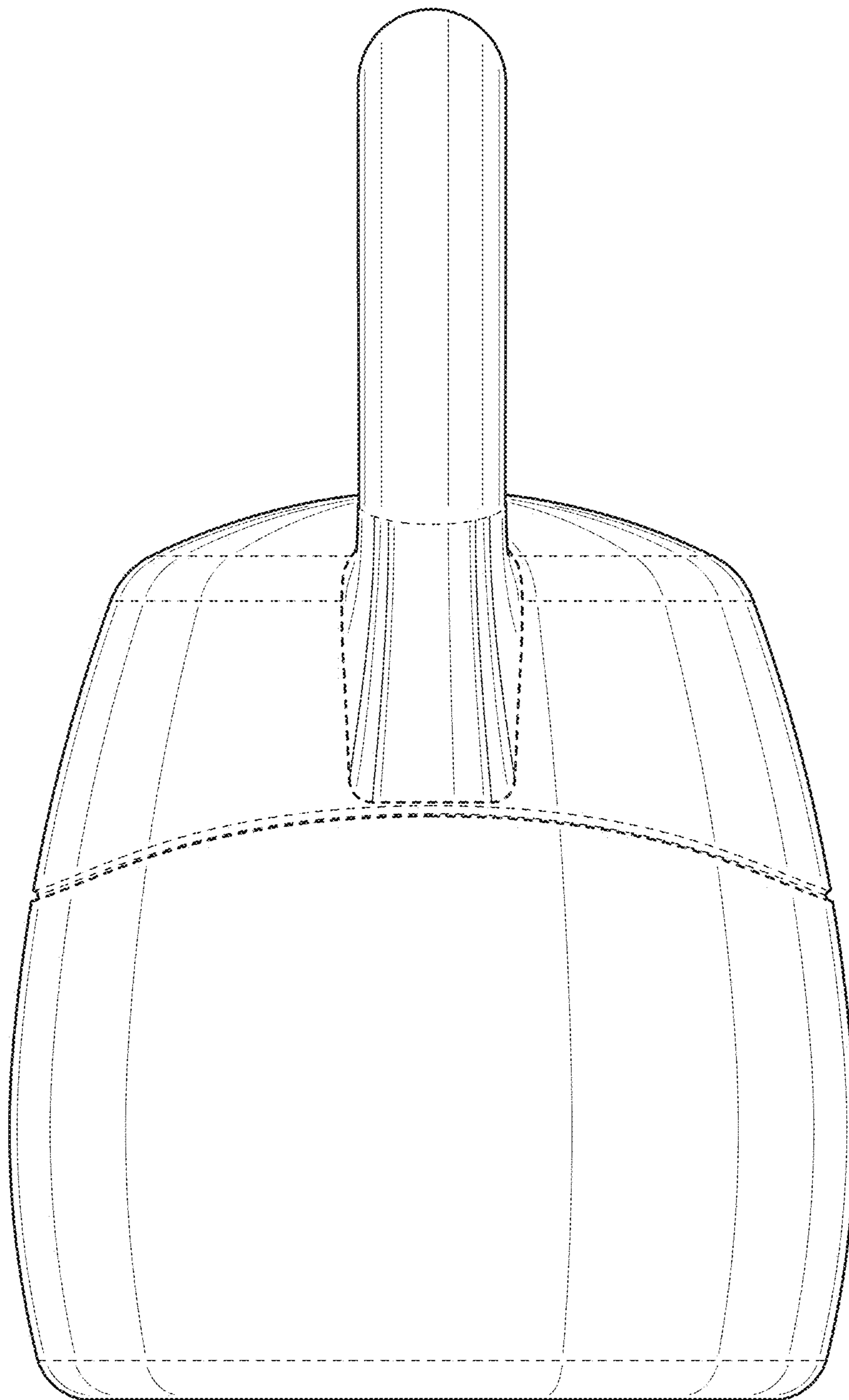


FIG. 12

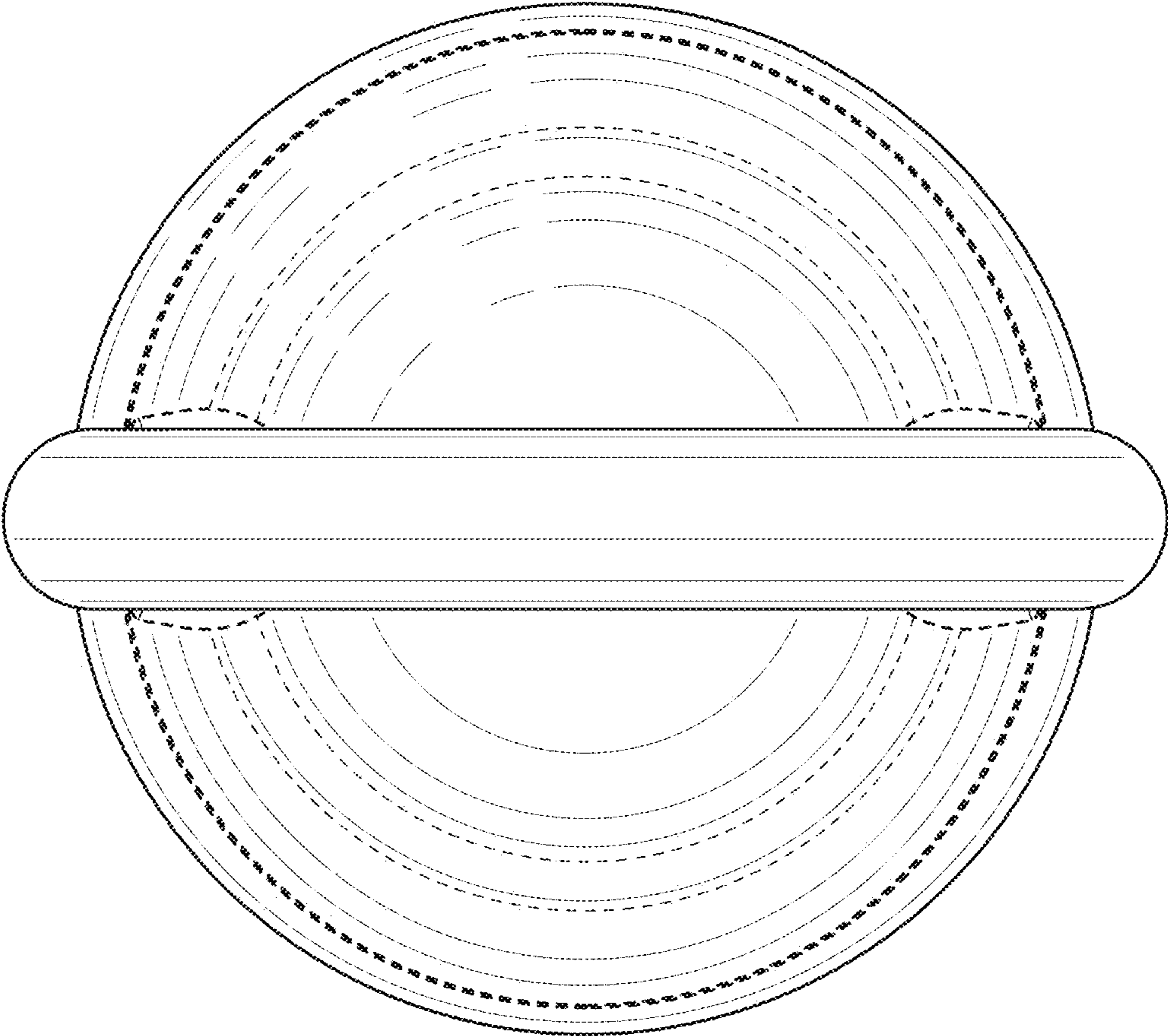


FIG. 13

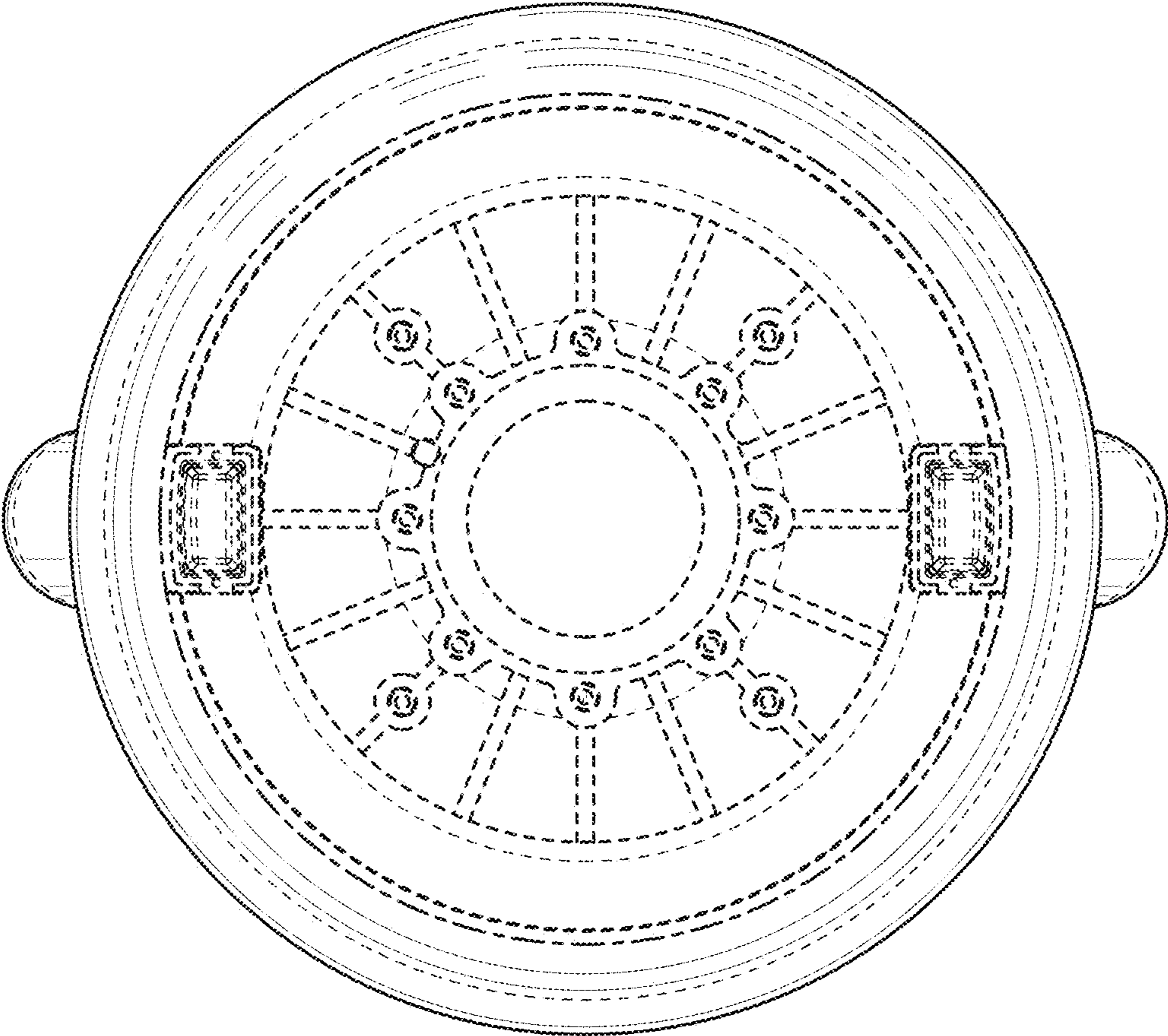


FIG. 14

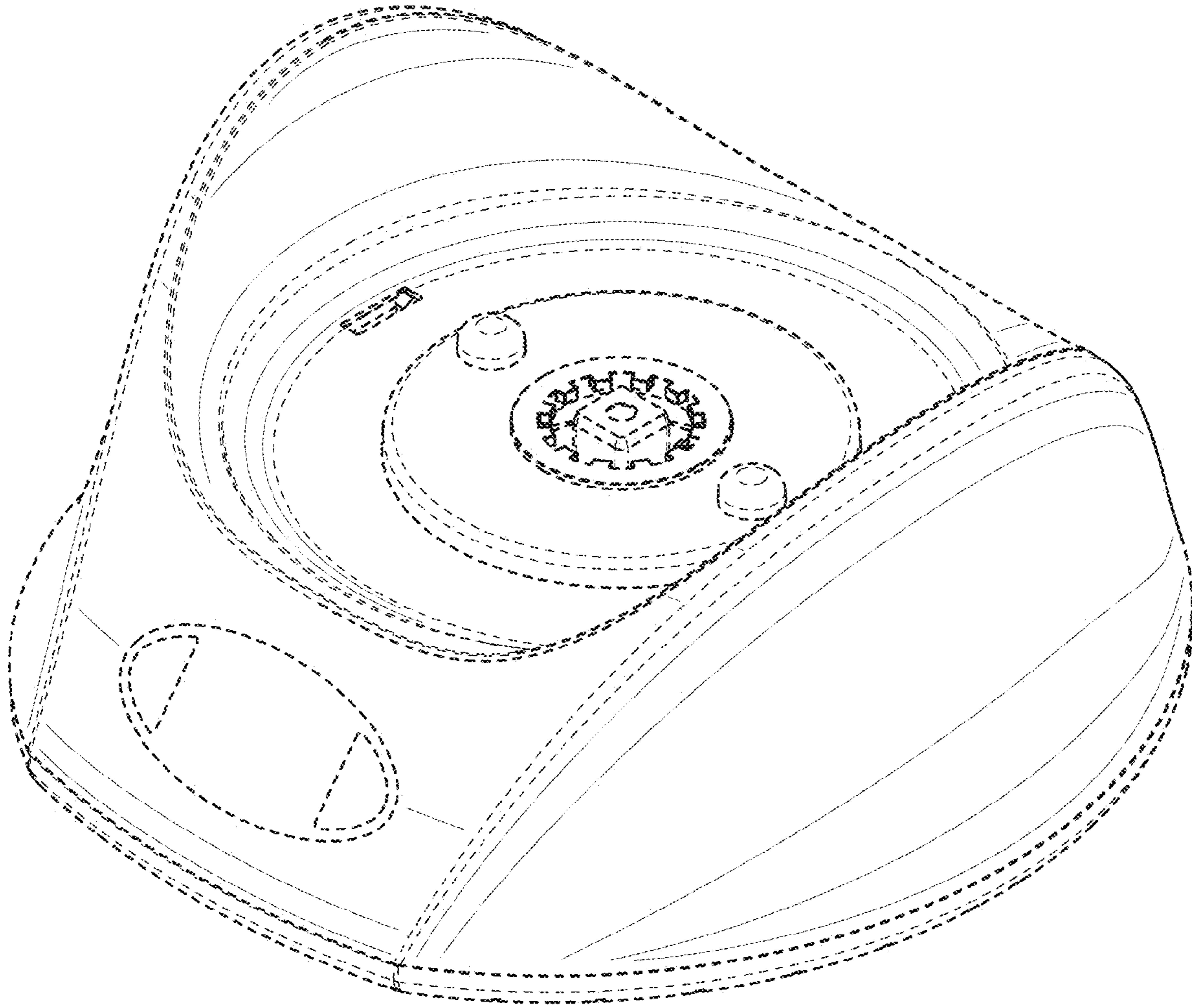


FIG. 15

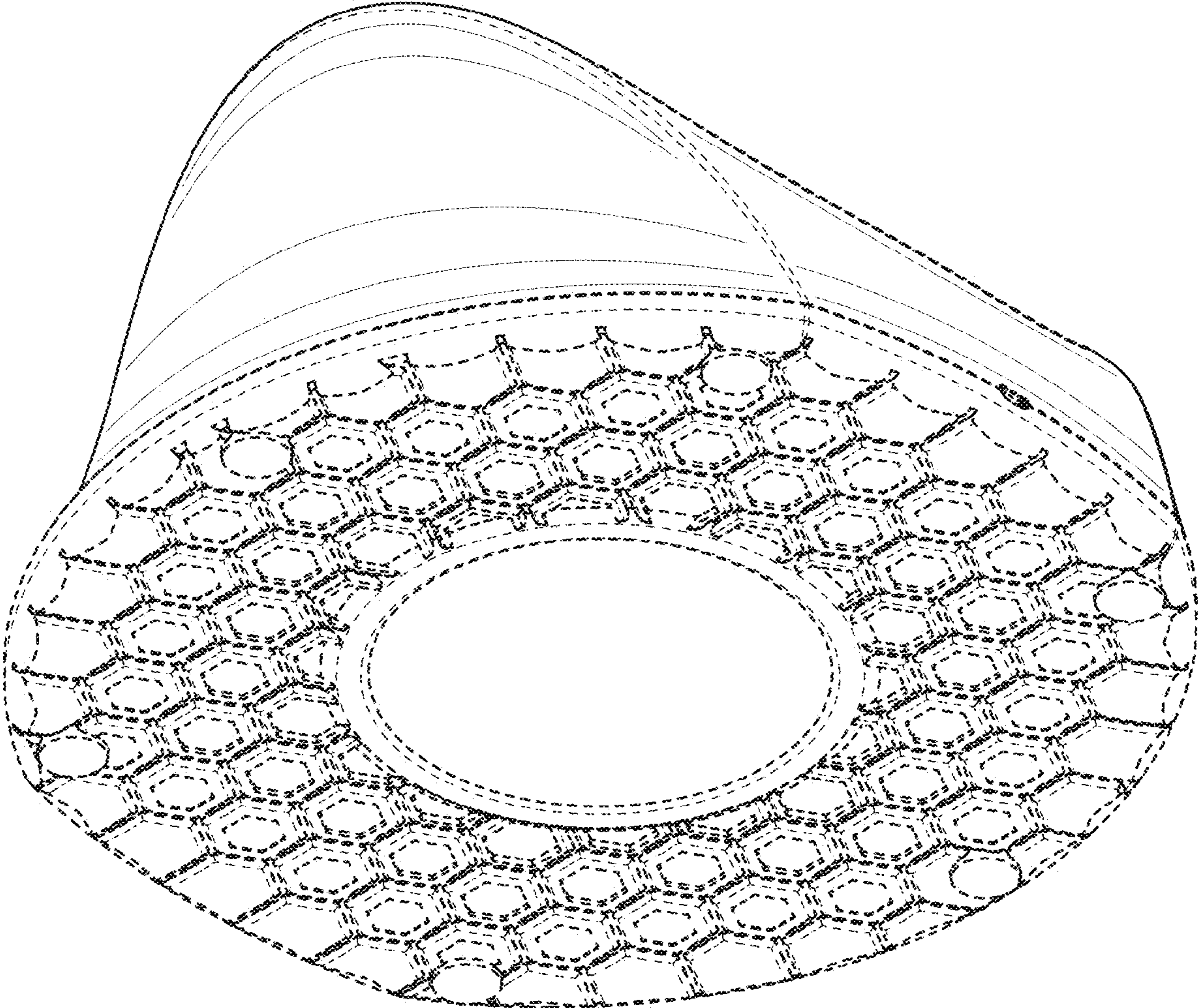


FIG. 16

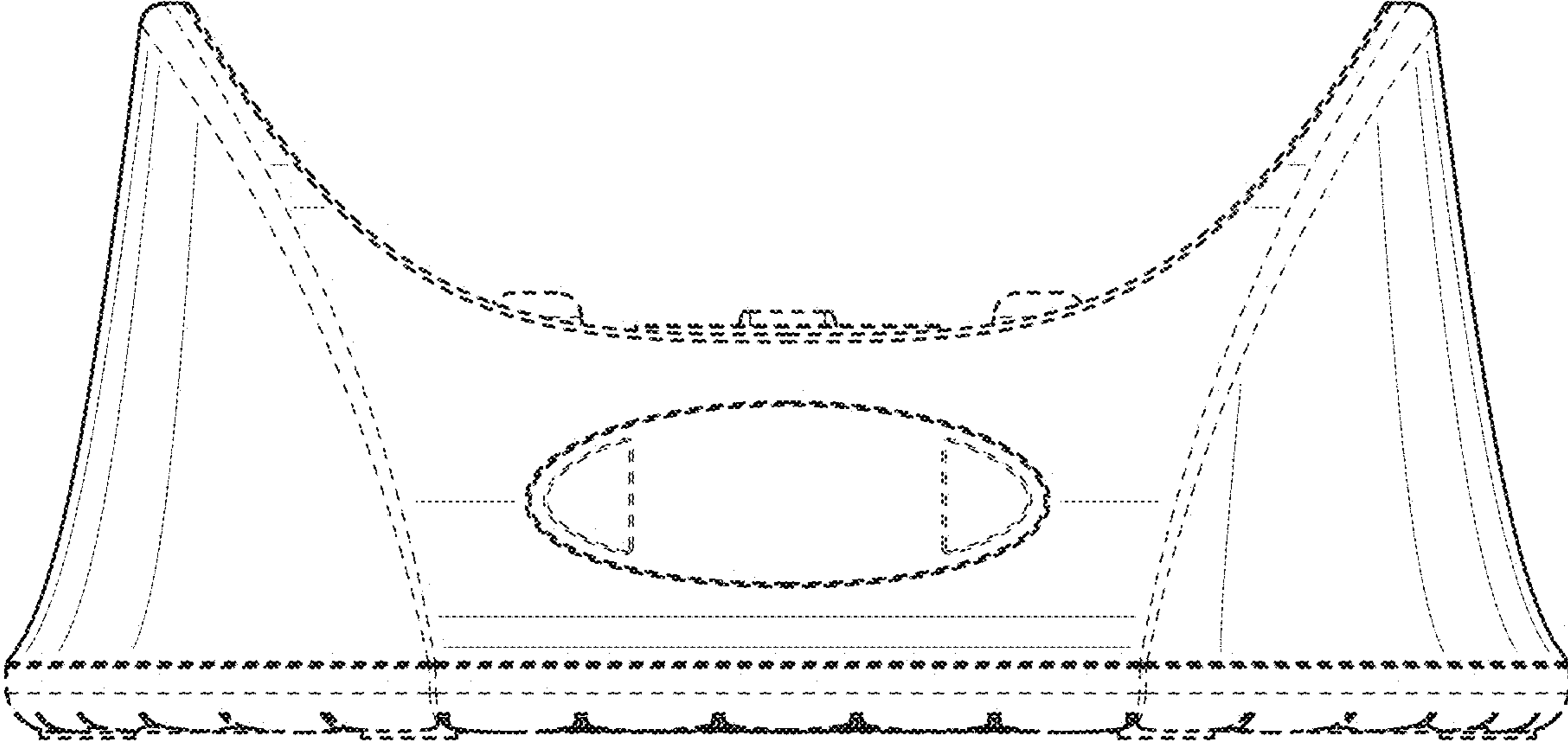


FIG. 17

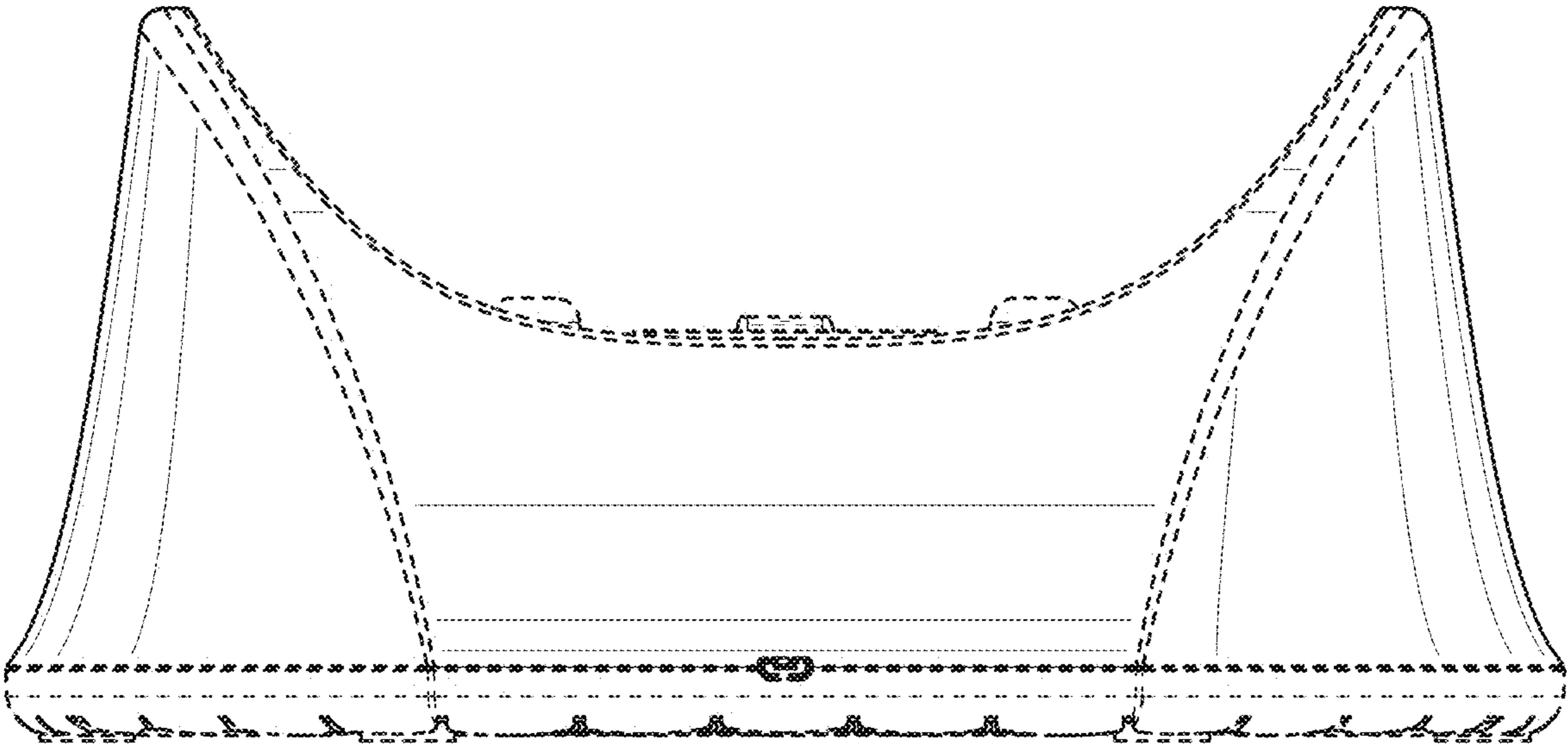


FIG. 18

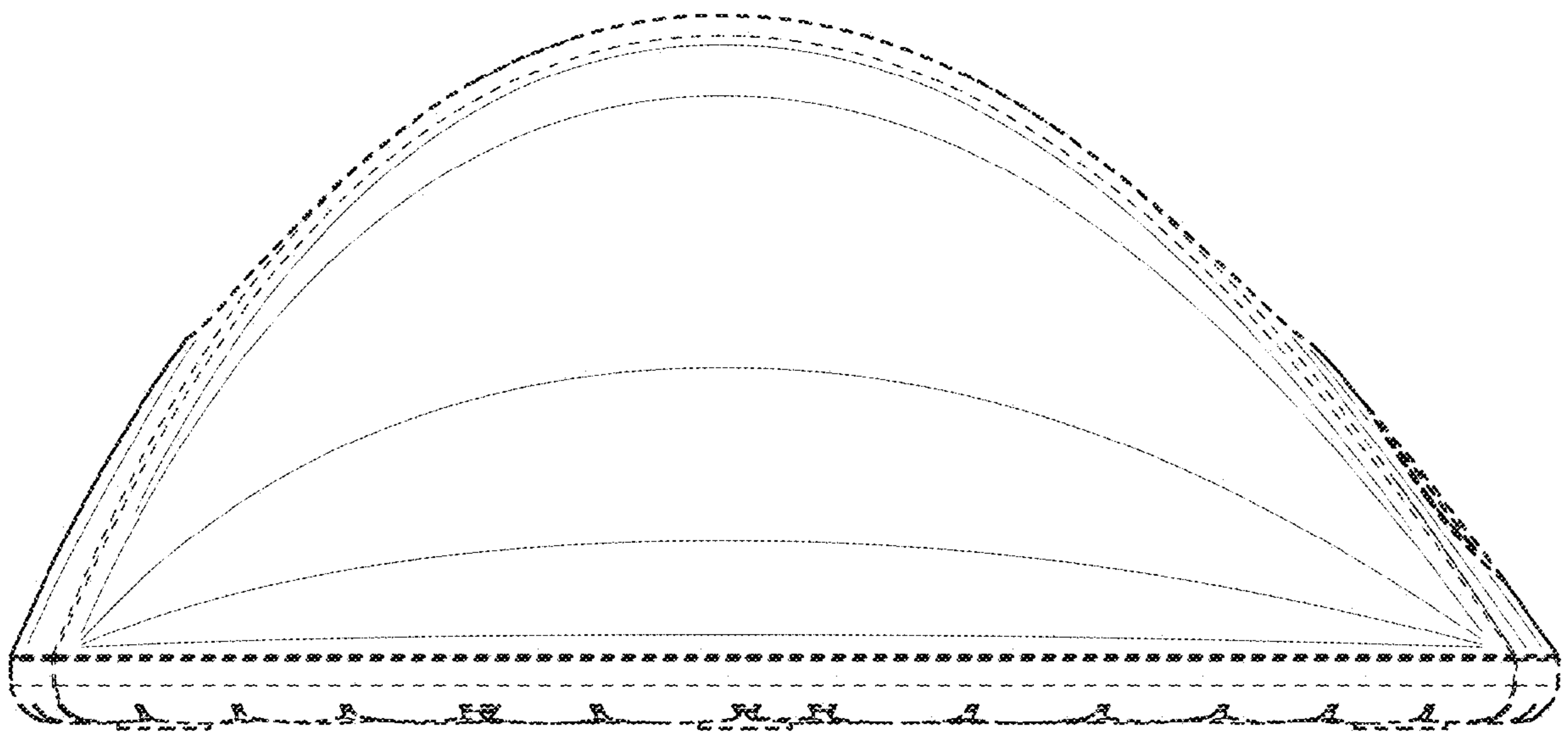


FIG. 19

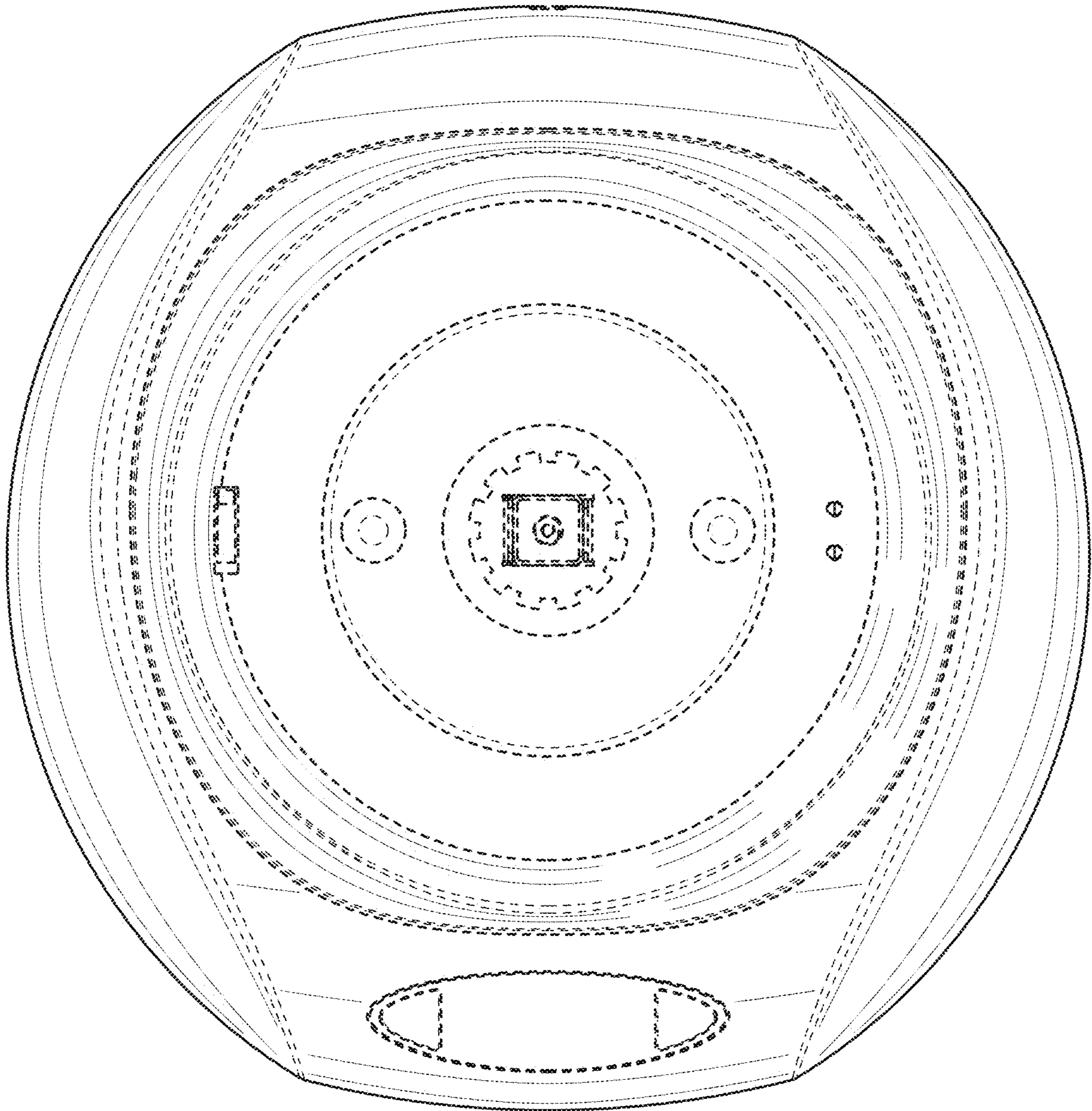


FIG. 20

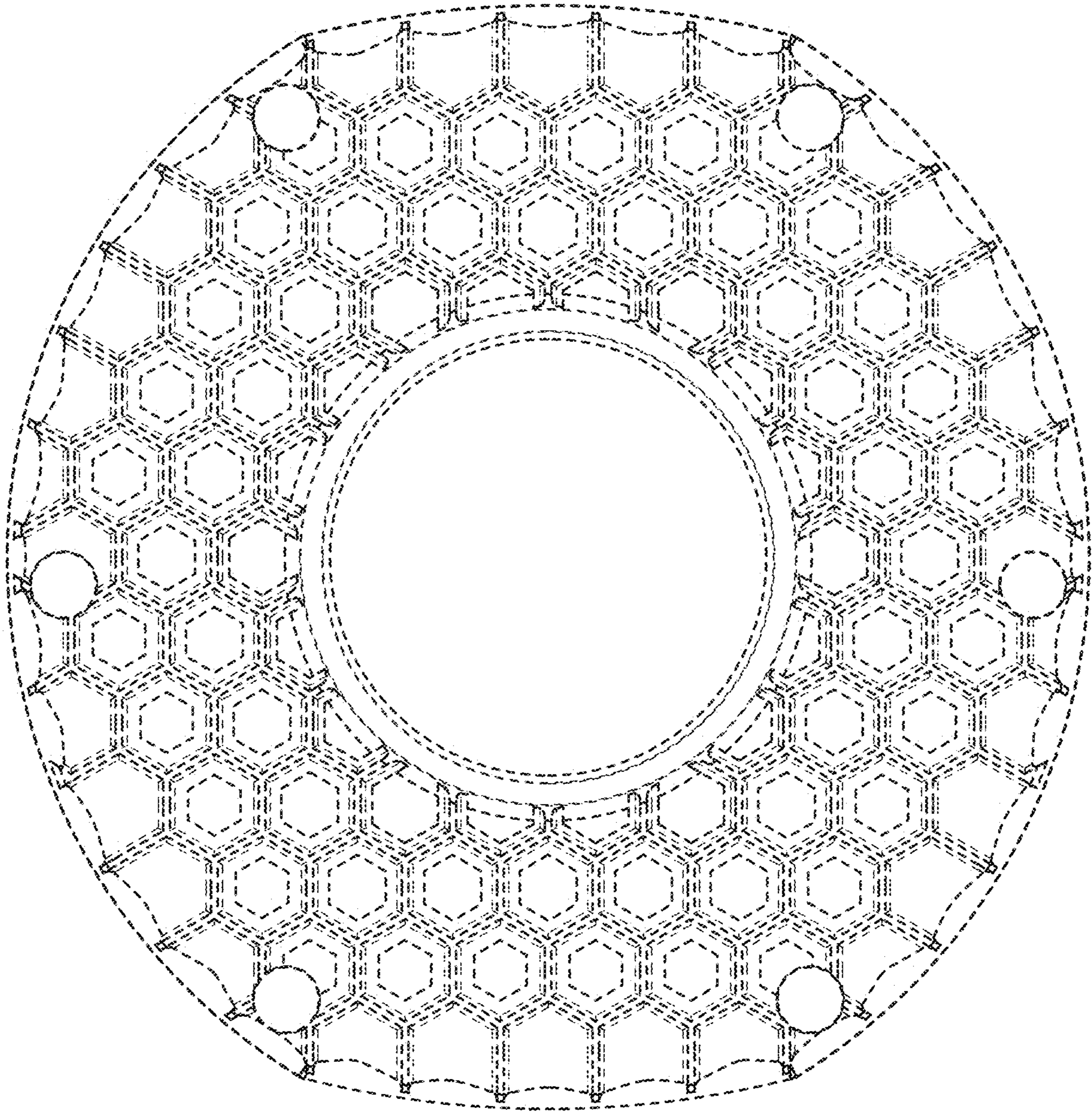


FIG. 21