



US00D888846S

(12) **United States Design Patent** (10) **Patent No.:** **US D888,846 S**
Bentsen et al. (45) **Date of Patent:** **** Jun. 30, 2020**

(54) **EXERCISE APPARATUS**

(71) Applicant: **Kompan A/S**, Odense SØ (DK)
(72) Inventors: **Nikolaj Maj Bentsen**, Vejle Ø (DK);
Martin Nørgaard Johansen, Skårup
Fyn (DK)
(73) Assignee: **KOMPAN A/S**, Odense SØ (DK)
(**) Term: **15 Years**

(21) Appl. No.: **29/716,735**

(22) Filed: **Dec. 11, 2019**

Related U.S. Application Data

(60) Division of application No. 29/696,564, filed on Jun. 28, 2019, which is a division of application No. 29/631,256, filed on Dec. 28, 2017, now Pat. No. Des. 855,721, which is a continuation of application No. 35/500,802, filed on Mar. 1, 2016 (U.S. filing date under 35 U.S.C. 384), and having an international filing date of Mar. 1, 2016, now Pat. No. Des. 806,817.

(30) **Foreign Application Priority Data**

Sep. 2, 2015 (EM) 002764803

(51) **LOC (12) Cl.** **21-02**

(52) **U.S. Cl.**
USPC **D21/675**

(58) **Field of Classification Search**
USPC D21/671, 787, 798, 826, 694, 692, 691,
D21/690, 688, 687, 686, 684, 679, 673,
D21/662; 482/91, 8, 44, 24, 140, 139,
482/131, 130, 129, 128, 127, 126, 125,
482/124, 123, 122, 121, 115, 112, 103,
482/87, 90, 83, 138; 473/428, 426, 483;
368/10; 135/140
CPC . A63B 21/072; A63B 21/075; A63B 21/0728;
A63B 21/4035; A63B 21/0726
See application file for complete search history.

(56) **References Cited**

U.S. PATENT DOCUMENTS

D187,138 S	2/1960	Highberger
3,118,668 A	1/1964	Callahan
D200,322 S	2/1965	Spackman, Jr.
D274,539 S	7/1984	Bankier
4,779,867 A	10/1988	Hinds
4,789,152 A	12/1988	Guerra
5,040,791 A	8/1991	Ratajac et al.
6,514,161 B1 *	2/2003	Minniear A63B 69/0002 473/423

(Continued)

OTHER PUBLICATIONS

U.S. Appl. No. 29/696,564, filed Jun. 28, 2019, applicant Kompan A/S.

Primary Examiner — Ryan Harvey
(74) *Attorney, Agent, or Firm* — Polson Intellectual Property Law, PC; Margaret Polson

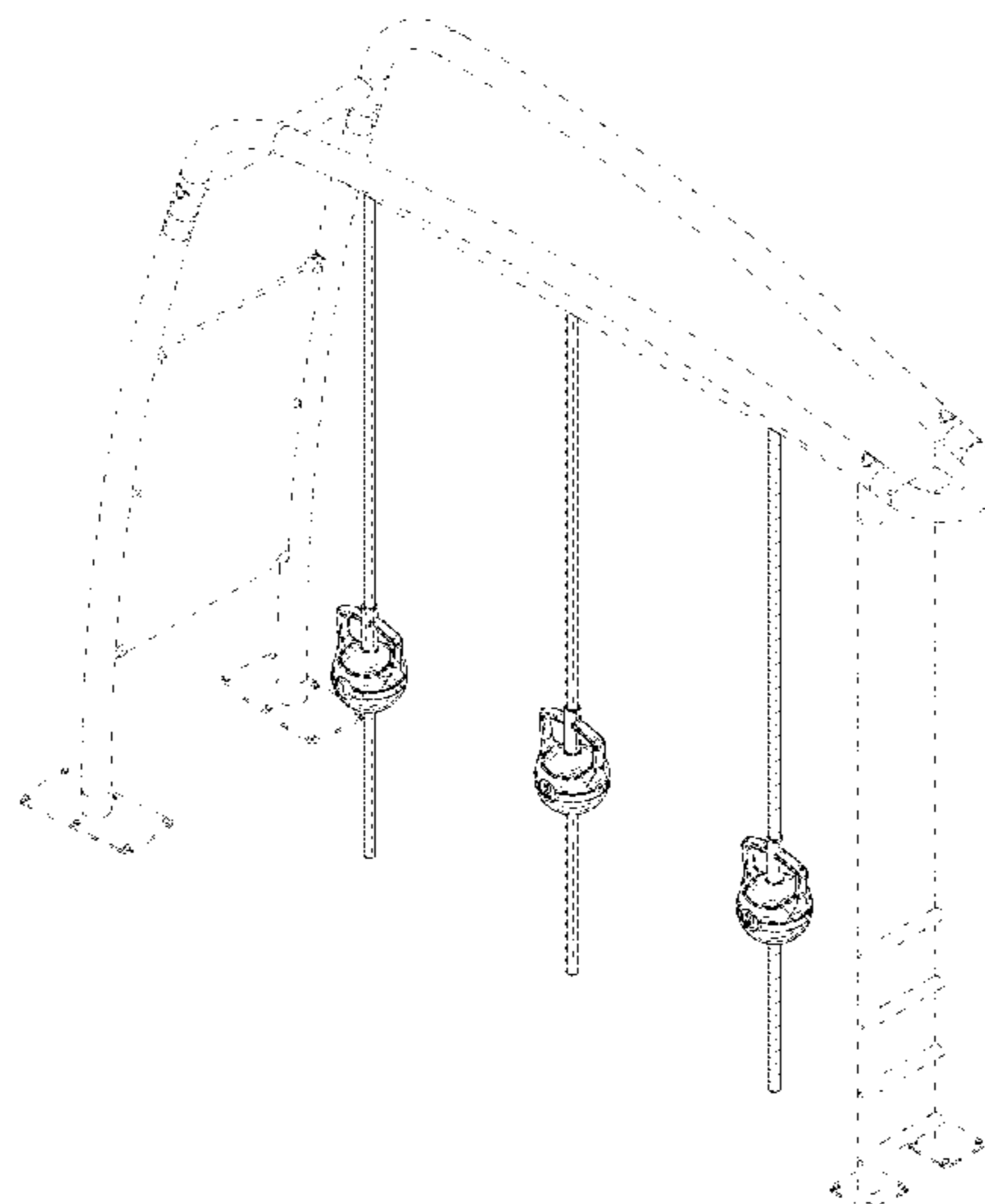
(57) **CLAIM**

The ornamental design for an exercise apparatus, as shown and described.

DESCRIPTION

FIG. 1 is a top, left perspective view of our new design for an exercise apparatus.
FIG. 2 is a left side elevation view of FIG. 1.
FIG. 3 is a back side elevation view of FIG. 1.
FIG. 4 is a right side elevation view of FIG. 1.
FIG. 5 is a front elevation view of FIG. 1.
FIG. 6 is a top plan view of FIG. 1; and,
FIG. 7 is a bottom plan view of Figure. 1.
The broken lines are included for the purpose of illustrating unclaimed subject matter and form no part of the claimed design.

1 Claim, 7 Drawing Sheets



(56)

References Cited

U.S. PATENT DOCUMENTS

D472,954 S 4/2003 Kohler
 D481,771 S * 11/2003 Anderson A63B 21/072
 D21/681
 6,685,600 B1 2/2004 Ullman
 D522,594 S * 6/2006 Donahue D21/682
 D522,595 S * 6/2006 Donahue D21/682
 7,491,157 B1 * 2/2009 Lin A63B 21/072
 482/108
 7,563,208 B1 * 7/2009 Chen A63B 21/0728
 482/108
 7,658,699 B1 2/2010 Johnson, Jr.
 D615,607 S 5/2010 Hwang
 D616,949 S * 6/2010 Wang D21/682
 7,762,933 B1 * 7/2010 Yu A63B 21/075
 482/106
 7,811,212 B2 * 10/2010 Chen A63B 21/0728
 482/106
 D628,251 S * 11/2010 Krull D21/681
 D628,668 S 12/2010 Kilgriff
 D644,701 S * 9/2011 Towley, III D21/681
 8,021,282 B2 * 9/2011 Polevoy A63B 21/0783
 482/108
 8,079,915 B2 12/2011 Spencer et al.
 D652,877 S * 1/2012 Dalebout D21/682
 D653,716 S * 2/2012 Lin D21/682
 D654,971 S * 2/2012 Januszek D21/682
 8,113,992 B2 2/2012 Koehler
 D656,206 S * 3/2012 Lutz D21/681
 D664,624 S 7/2012 Orsulak et al.
 D683,803 S * 6/2013 Childs D21/681
 D692,509 S * 10/2013 Kessler D21/682
 D715,177 S * 10/2014 Vaughan D11/81
 8,919,364 B1 12/2014 Russell
 D728,040 S * 4/2015 Peterson D21/680
 D731,611 S 6/2015 Klein
 D752,161 S 3/2016 Wartenbergh
 9,314,658 B2 4/2016 Kaye
 9,675,829 B1 6/2017 Katz
 D795,970 S 8/2017 McMaster
 D796,592 S * 9/2017 Towley D21/682
 D799,975 S * 10/2017 Anvaripour D9/532
 9,802,073 B2 * 10/2017 Pawlas A63B 21/4035
 D806,817 S 1/2018 Bentsen
 D811,019 S * 2/2018 Alton D30/160
 D816,173 S 4/2018 Jackson
 D827,735 S * 9/2018 Ross D21/682
 10,092,788 B2 10/2018 o'Brien et al.
 D842,945 S 3/2019 Leder

D843,508 S * 3/2019 Pawlas A63B 21/0728
 D21/680
 D855,721 S 8/2019 Bentsen et al.
 D877,824 S * 3/2020 Chiang D21/680
 2005/0130814 A1 6/2005 Nitta et al.
 2005/0176557 A1 8/2005 Bork et al.
 2006/0035767 A1 * 2/2006 Ekhaus A63B 21/0601
 482/108
 2007/0135274 A1 * 6/2007 Blateri A63B 21/075
 482/109
 2010/0048362 A1 * 2/2010 Liford A63B 21/072
 482/93
 2010/0248910 A1 * 9/2010 DiLuglio A63B 21/0602
 482/93
 2010/0255960 A1 * 10/2010 Kessler A63B 21/072
 482/93
 2010/0331151 A1 * 12/2010 Signorile A63B 21/00196
 482/93
 2011/0263392 A1 * 10/2011 Yu A63B 21/072
 482/93
 2011/0275494 A1 * 11/2011 Radi A63B 21/0602
 482/93
 2011/0306475 A1 * 12/2011 Caswell A63B 21/0601
 482/93
 2012/0046148 A1 * 2/2012 Aguila A63B 21/072
 482/93
 2012/0085380 A1 4/2012 Buckley
 2012/0252641 A1 * 10/2012 Odneal A63B 21/072
 482/108
 2012/0322631 A1 * 12/2012 Januszek A63B 21/072
 482/108
 2012/0329620 A1 12/2012 White et al.
 2013/0012367 A1 * 1/2013 Williams A63B 23/03525
 482/108
 2013/0040789 A1 * 2/2013 Kessler A63B 21/072
 482/108
 2013/0178299 A1 7/2013 Kopp et al.
 2013/0210589 A1 * 8/2013 Thompson A63B 21/0726
 482/108
 2013/0244843 A1 * 9/2013 Burwell A63B 21/075
 482/108
 2013/0337980 A1 * 12/2013 Himmelrick A63B 21/072
 482/108
 2015/0290518 A1 * 10/2015 Hudson A63B 69/201
 482/90
 2017/0072260 A1 3/2017 Jackson
 2019/0001173 A1 * 1/2019 Bentsen A63B 7/02
 2019/0269967 A1 9/2019 Thomas

* cited by examiner

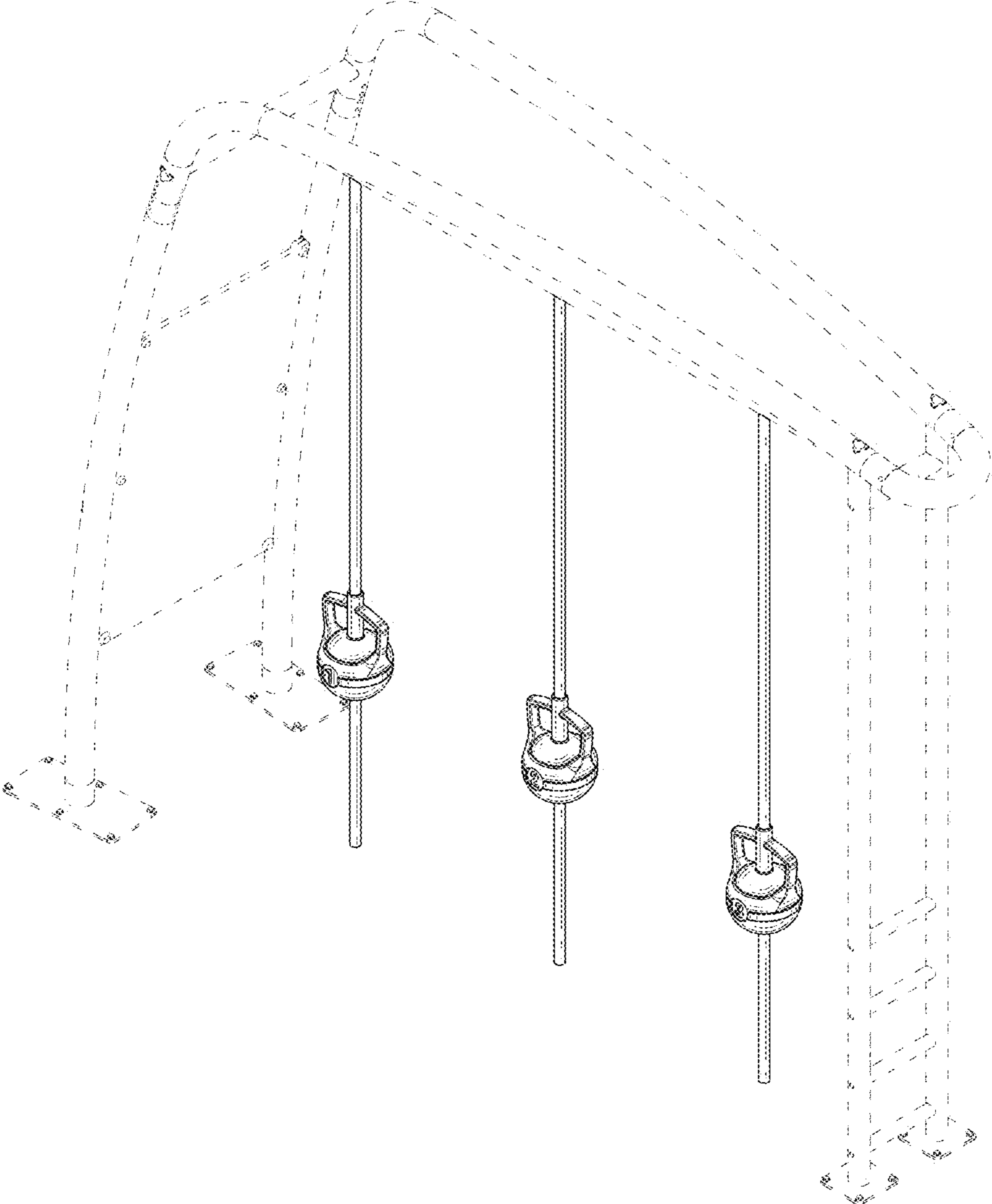


FIG. 1

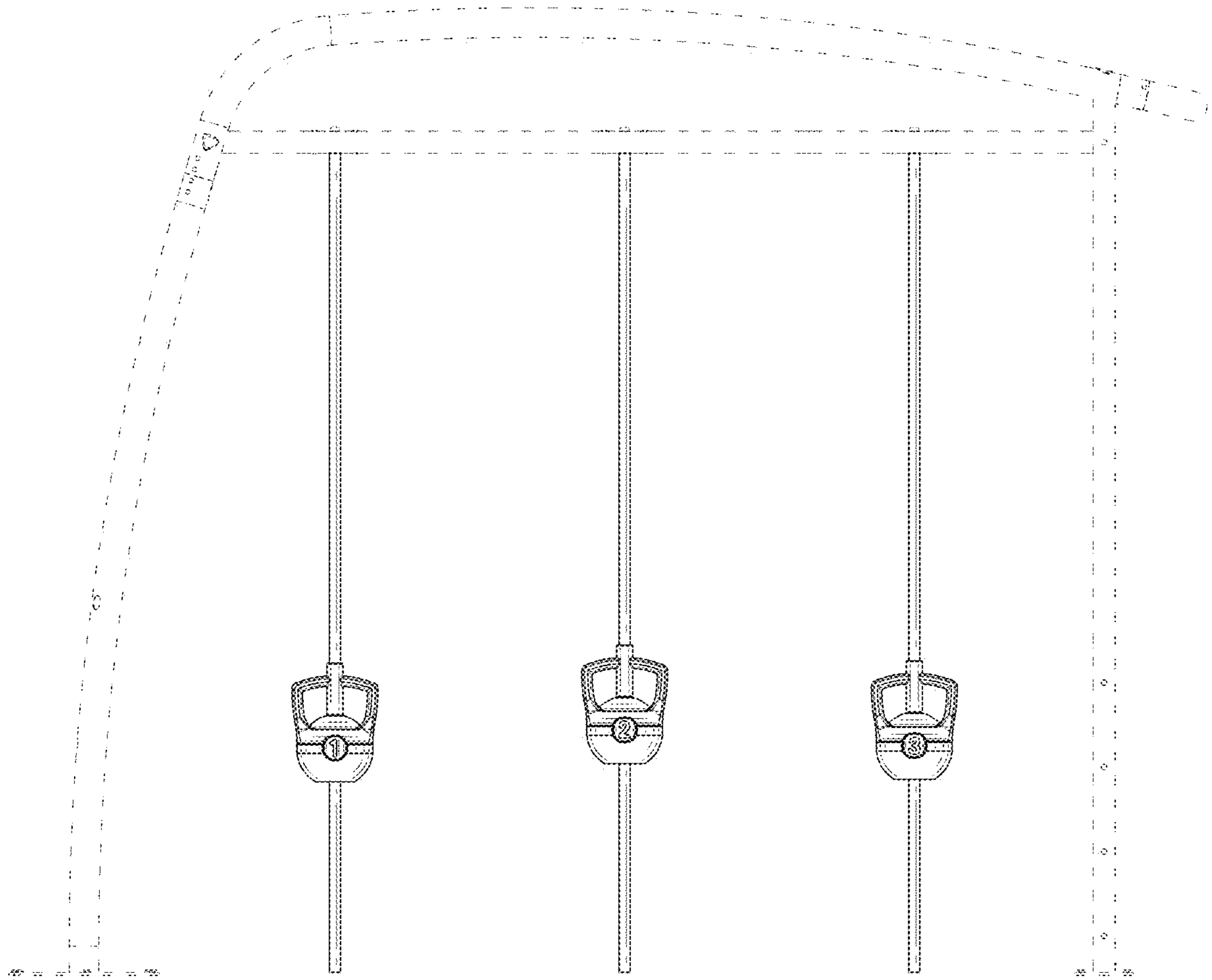


FIG. 2

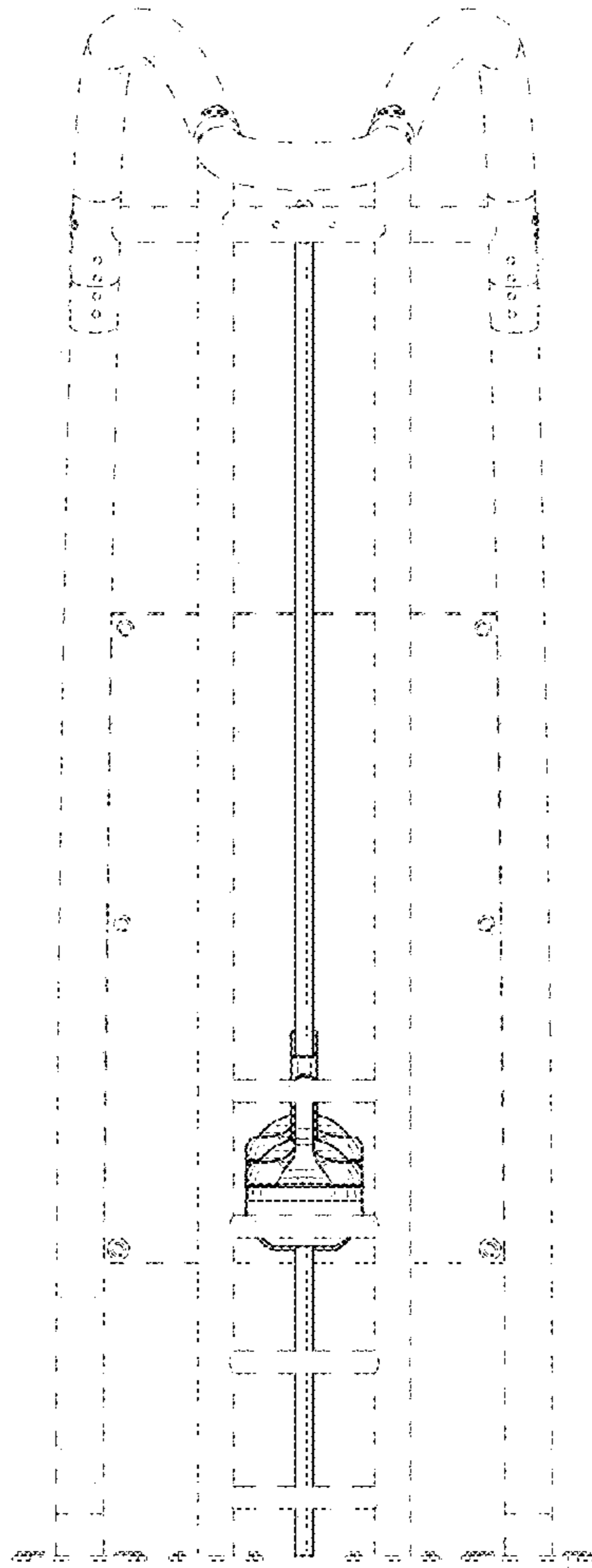


FIG. 3

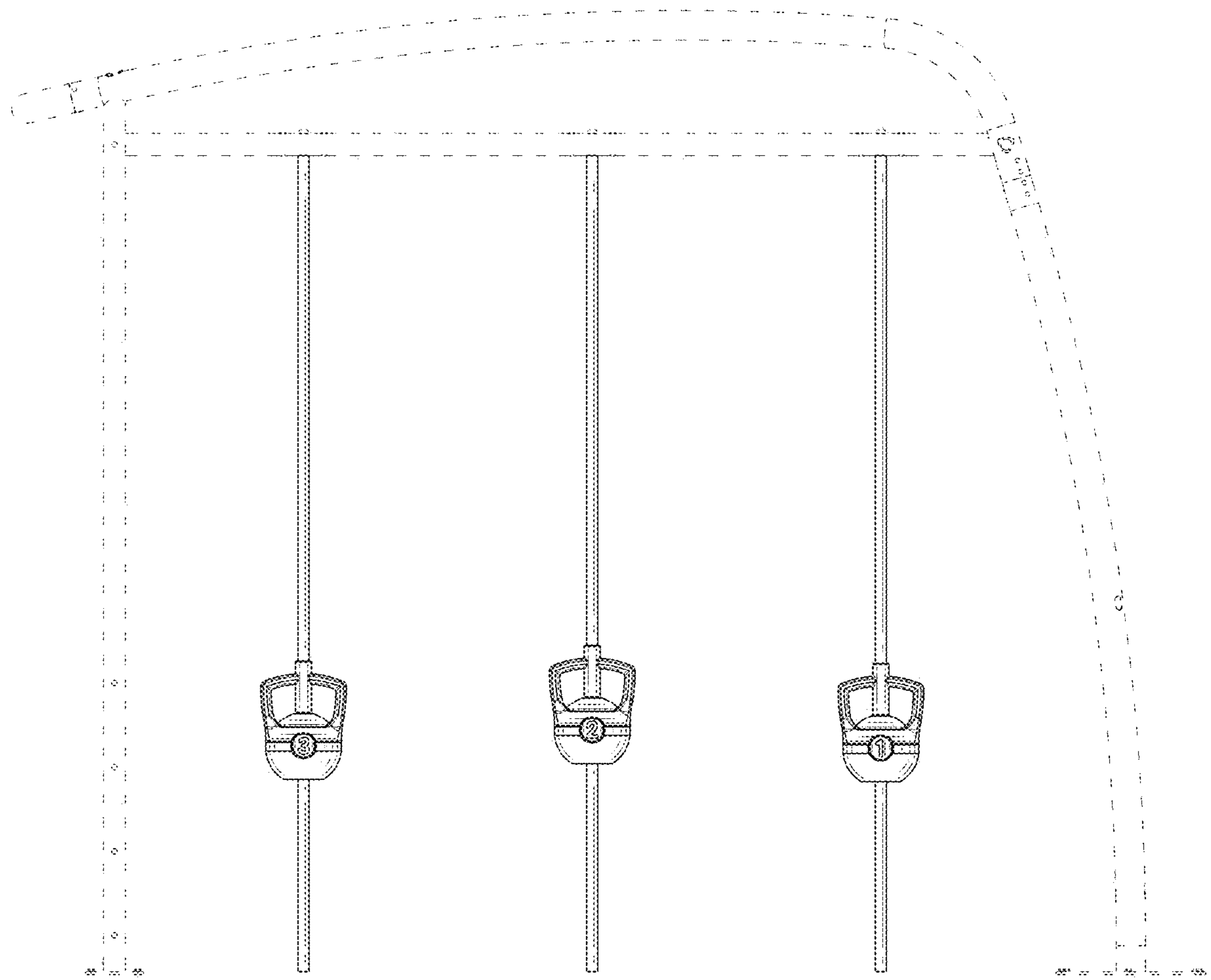


FIG. 4

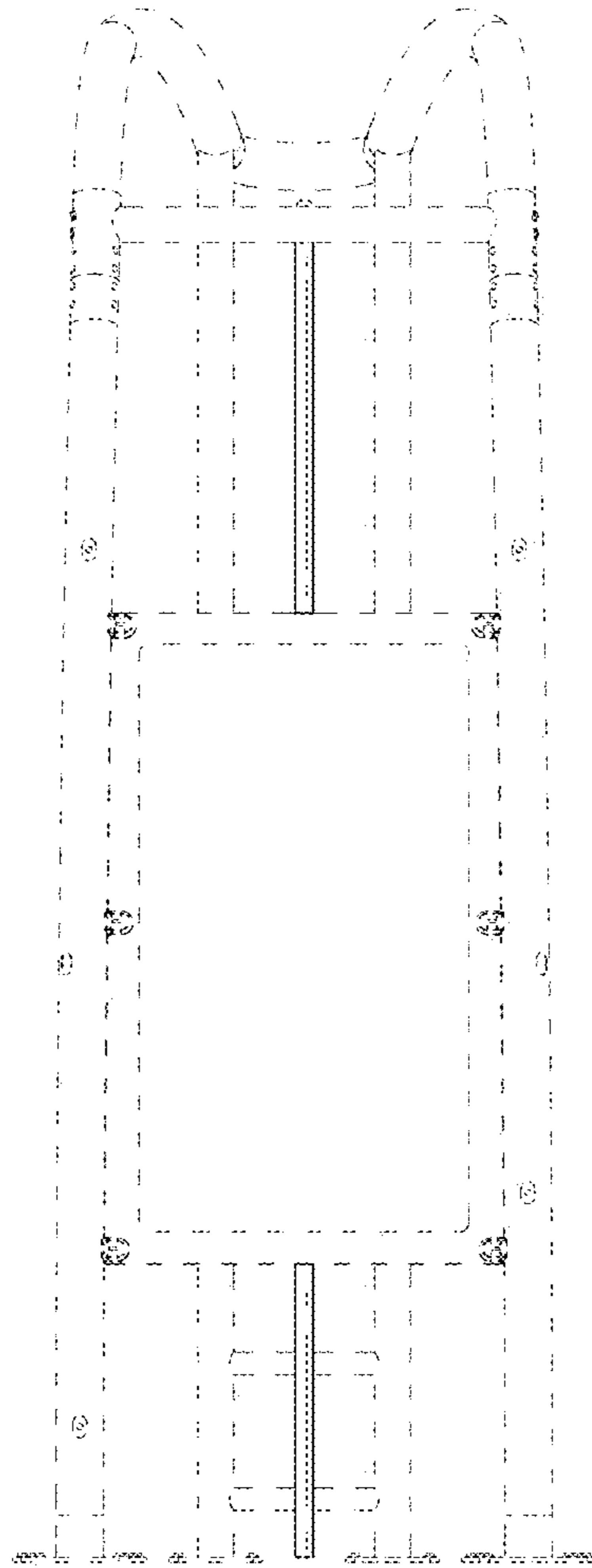


FIG. 5

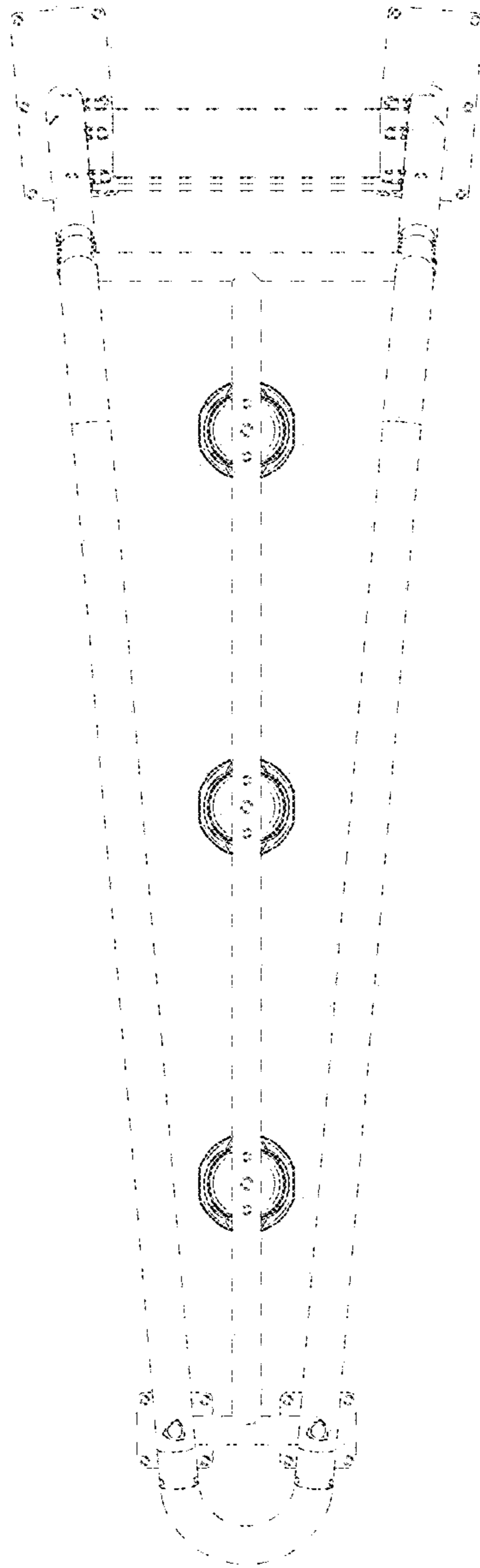


FIG. 6

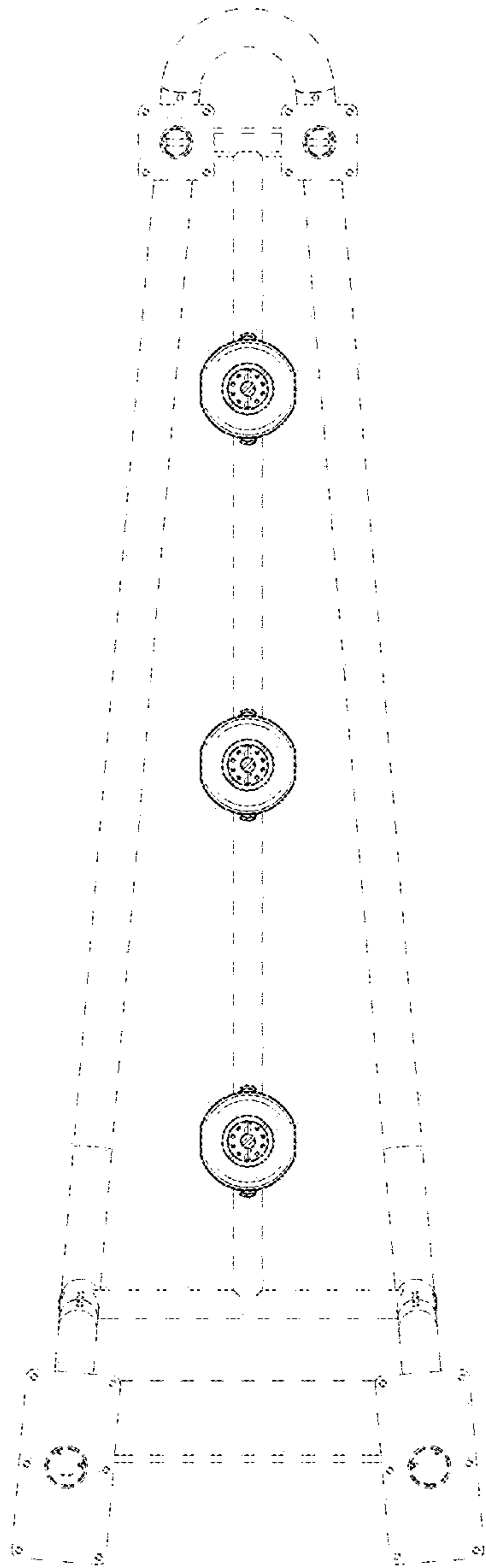


FIG. 7