



US00D888845S

(12) **United States Design Patent**
Luo

(10) **Patent No.:** **US D888,845 S**
(45) **Date of Patent:** **** Jun. 30, 2020**

- (54) **TREADMILL**
- (71) Applicant: **Jiangxi EQI Industrial Co., Ltd,**
Jiangxi (CN)
- (72) Inventor: **Xietong Luo,** Jiangxi (CN)
- (73) Assignee: **Jiangxi EQI Industrial Co., Ltd,**
Jiangxi (CN)
- (**) Term: **15 Years**

| | | | |
|---------------|---------|-----------|------------------------|
| D342,107 S | 12/1993 | Chang | |
| D355,227 S * | 2/1995 | Summers | D21/669 |
| D374,260 S * | 10/1996 | Snyderman | D21/669 |
| 5,709,632 A * | 1/1998 | Socwell | A63B 22/0012 482/51 |
| 5,711,745 A * | 1/1998 | Yang | A63B 22/02 482/51 |
| 5,746,682 A * | 5/1998 | Hung | A63B 22/02 482/51 |
| D413,366 S * | 8/1999 | Husted | D21/668 |
| D416,298 S * | 11/1999 | Onuma | D21/669 |
| 6,042,514 A * | 3/2000 | Abelbeck | A63B 22/02 198/439 |

(21) Appl. No.: **29/709,882**

(Continued)

(22) Filed: **Oct. 18, 2019**

(51) **LOC (12) Cl.** **21-02**

(52) **U.S. Cl.**
USPC **D21/669**

(58) **Field of Classification Search**
USPC 482/54, 2, 51, 8, 70, 146; D21/669;
198/439, 456; D30/160; 601/35, 23, 5,
601/34
CPC . A63B 22/02; A63B 22/0023; A63B 22/0235;
A63B 2210/50; A63B 22/0285; A63B
22/0242; A63B 2022/025; A63B 2225/30;
A63B 2022/0214; A63B 2220/13; A63B
2022/0228; A63B 2210/56; A63B
2024/0093; A63B 2022/0207; A63B
22/0012; A63B 22/0257; A61H 3/008;
A61H 1/0262; A61H 2201/164; A01K
15/027

See application file for complete search history.

(56) **References Cited**

U.S. PATENT DOCUMENTS

| | | | |
|---------------|--------|------------|-----------------------|
| 1,211,765 A * | 1/1917 | Schmidt | A63B 22/02 482/54 |
| D273,029 S | 3/1984 | Kullenberg | |
| 4,614,336 A * | 9/1986 | Taitel | A63B 21/015 482/54 |
| 4,757,987 A * | 7/1988 | Allemand | A63B 22/02 482/54 |
| D325,951 S * | 5/1992 | Johnson | D21/669 |

OTHER PUBLICATIONS

Goplus by Goplus dated Feb. 21, 2016. Found online [Dec. 18, 2019] https://www.amazon.com/Goplus-Treadmill-Electric-Installation-Free-Bluetooth/dp/B07ZRQW8RR/ref=cm_cr_ar_p_d_product_top?ie=UTF8.*

Primary Examiner — Ryan Harvey
(74) *Attorney, Agent, or Firm* — JCIP Global Inc.

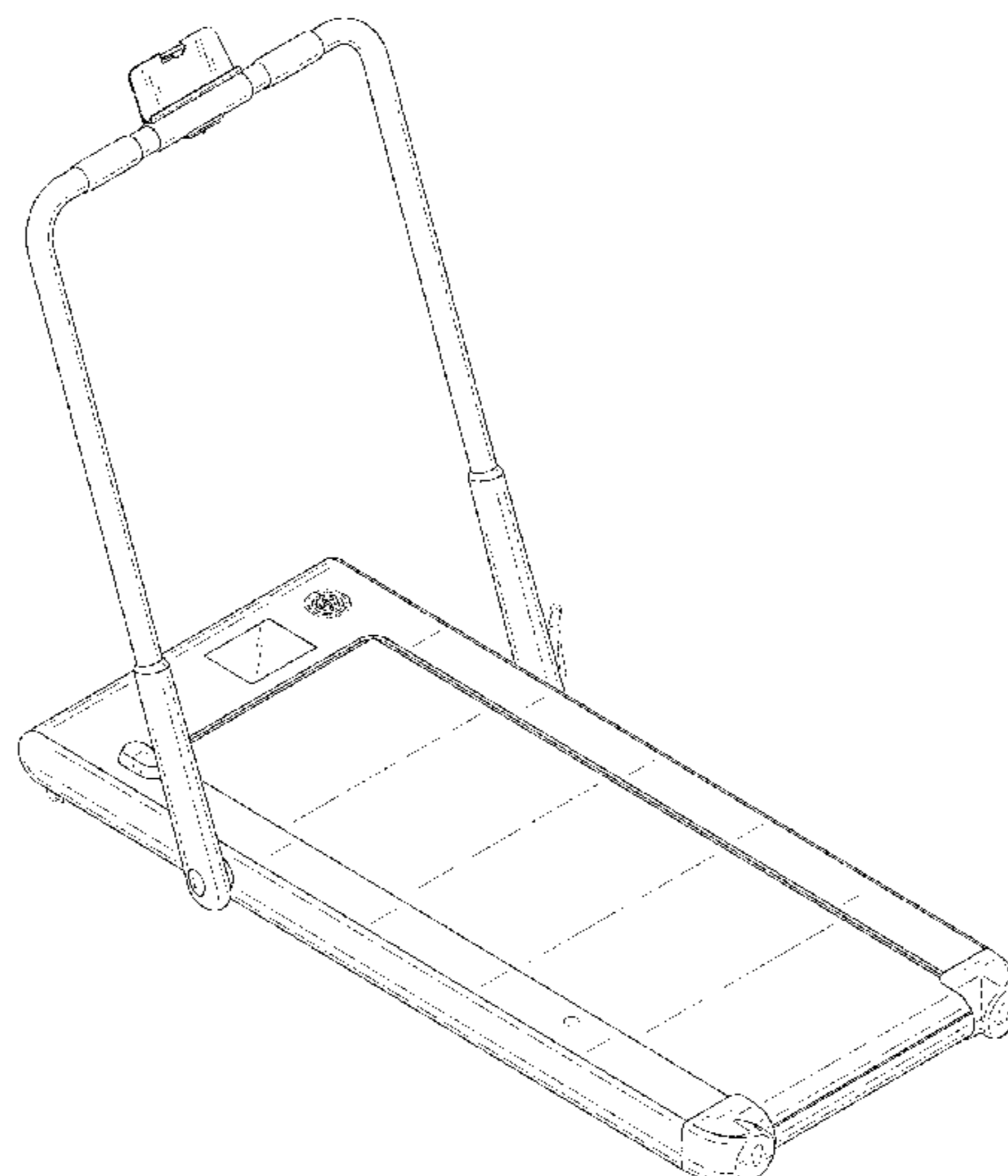
(57) **CLAIM**

The ornamental design for a treadmill, as shown and described.

DESCRIPTION

FIG. 1 is a perspective view of a treadmill showing my new design;
FIG. 2 is a front view thereof;
FIG. 3 is a rear view thereof;
FIG. 4 is a left side view thereof;
FIG. 5 is a right side view thereof;
FIG. 6 is a top view thereof; and,
FIG. 7 is a bottom view thereof.
The broken lines depict portions of the treadmill that form no part of the claimed design.

1 Claim, 7 Drawing Sheets



(56)

References Cited

U.S. PATENT DOCUMENTS

6,390,955 B1 * 5/2002 Wang A63B 22/02
482/54
6,527,678 B1 * 3/2003 Wang A63B 22/0235
482/51
6,561,953 B1 * 5/2003 Chang A63B 22/0235
482/51
D484,554 S * 12/2003 Hellman, Jr. D21/669
D494,234 S 8/2004 Sporie et al.
D500,348 S 12/2004 Parise
D607,067 S * 12/2009 Wu D21/669
D690,782 S * 10/2013 Perkins D21/669
D751,156 S * 3/2016 Tasca D21/669
2006/0160665 A1 * 7/2006 Tai A63B 22/0023
482/54
2009/0170666 A1 * 7/2009 Chiang A63B 22/02
482/54
2016/0096064 A1 * 4/2016 Gatti A63B 22/02
482/54
2016/0144225 A1 * 5/2016 Dalebout A63B 22/02
482/54
2016/0279465 A1 * 9/2016 Chang A63B 22/02
2016/0287930 A1 * 10/2016 Moser A63B 71/0622
2017/0333751 A1 * 11/2017 Seol A63B 24/0062
2017/0340917 A1 * 11/2017 Chang B32B 5/02

* cited by examiner

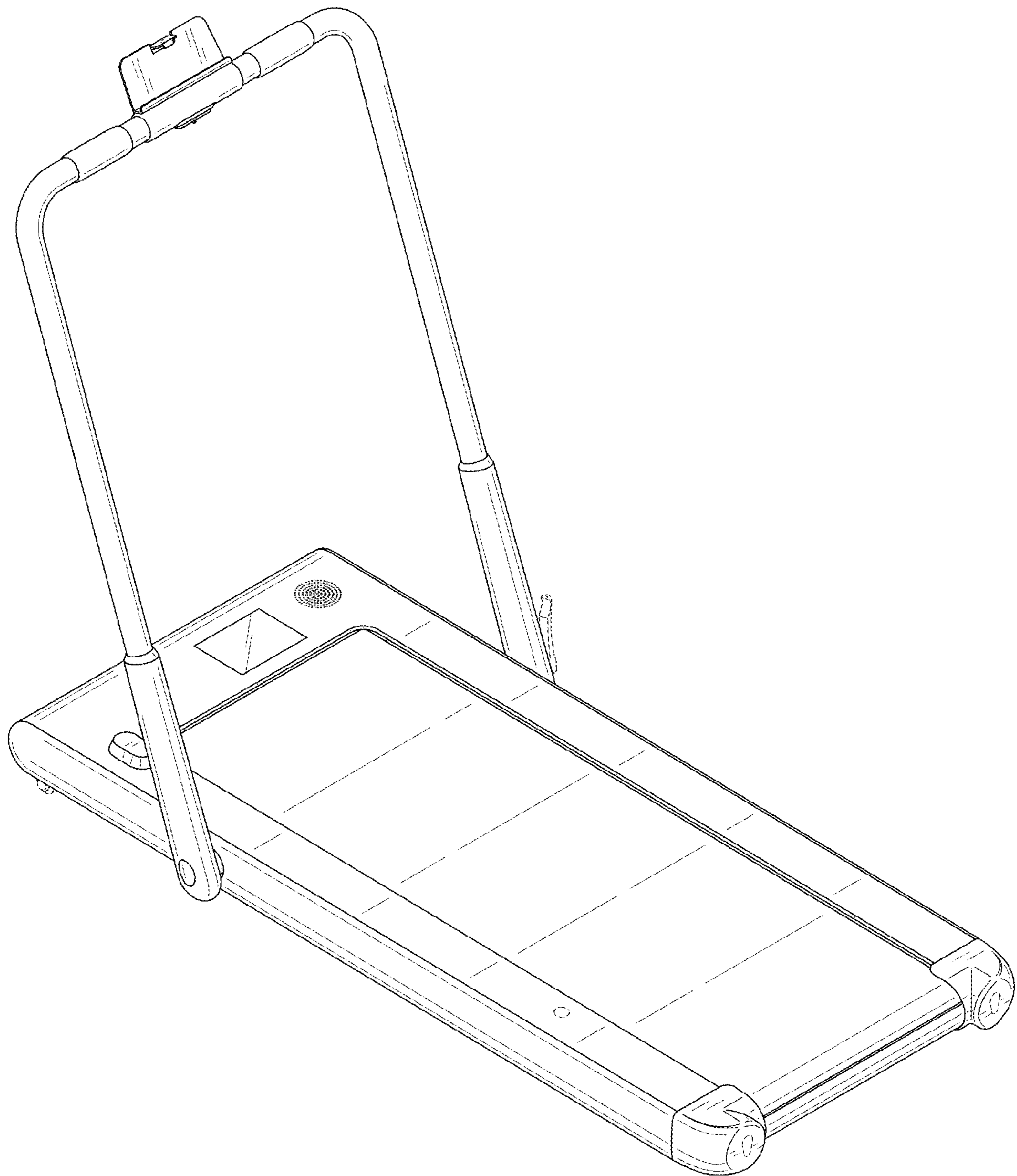


FIG. 1

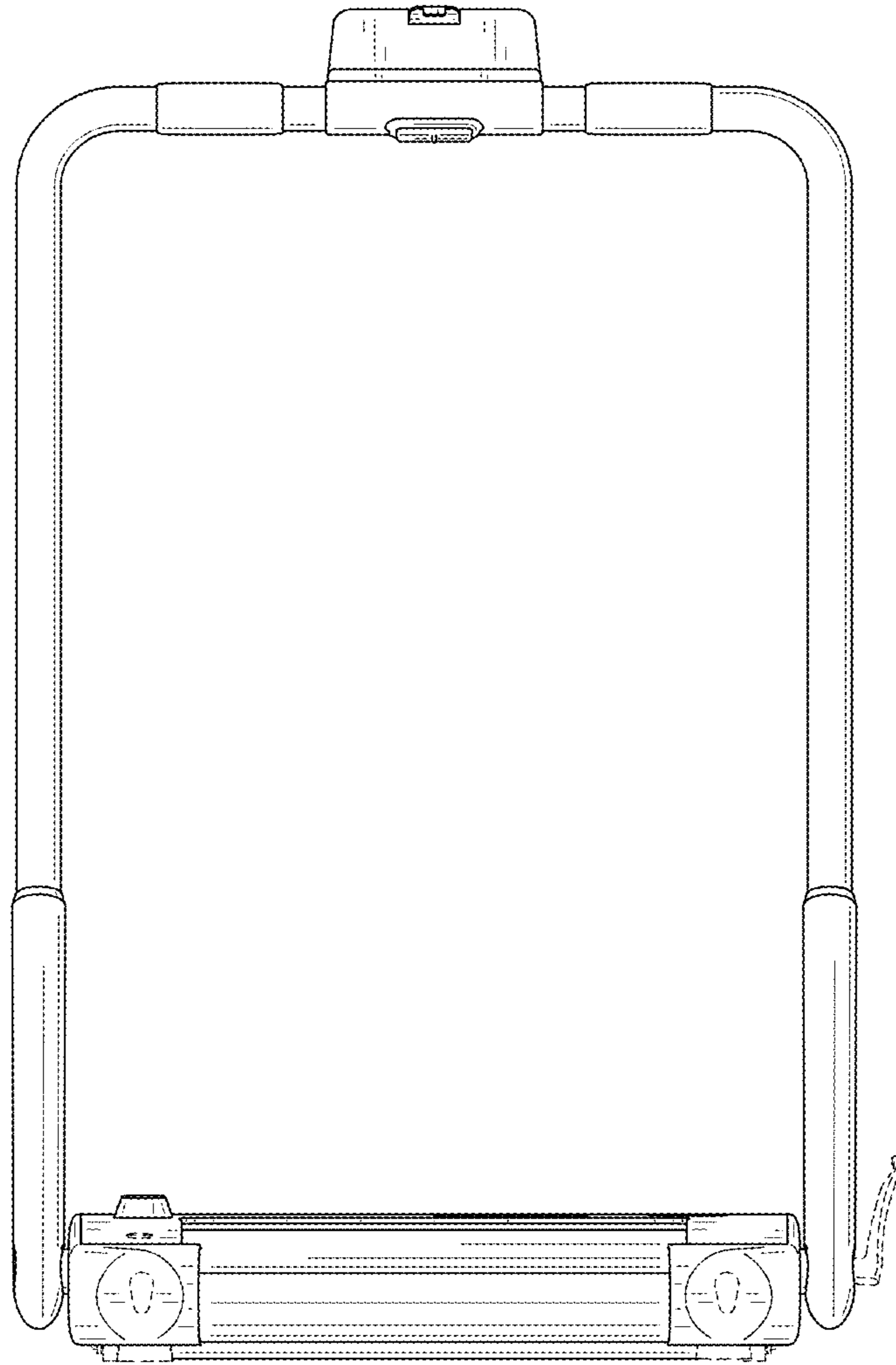


FIG. 2

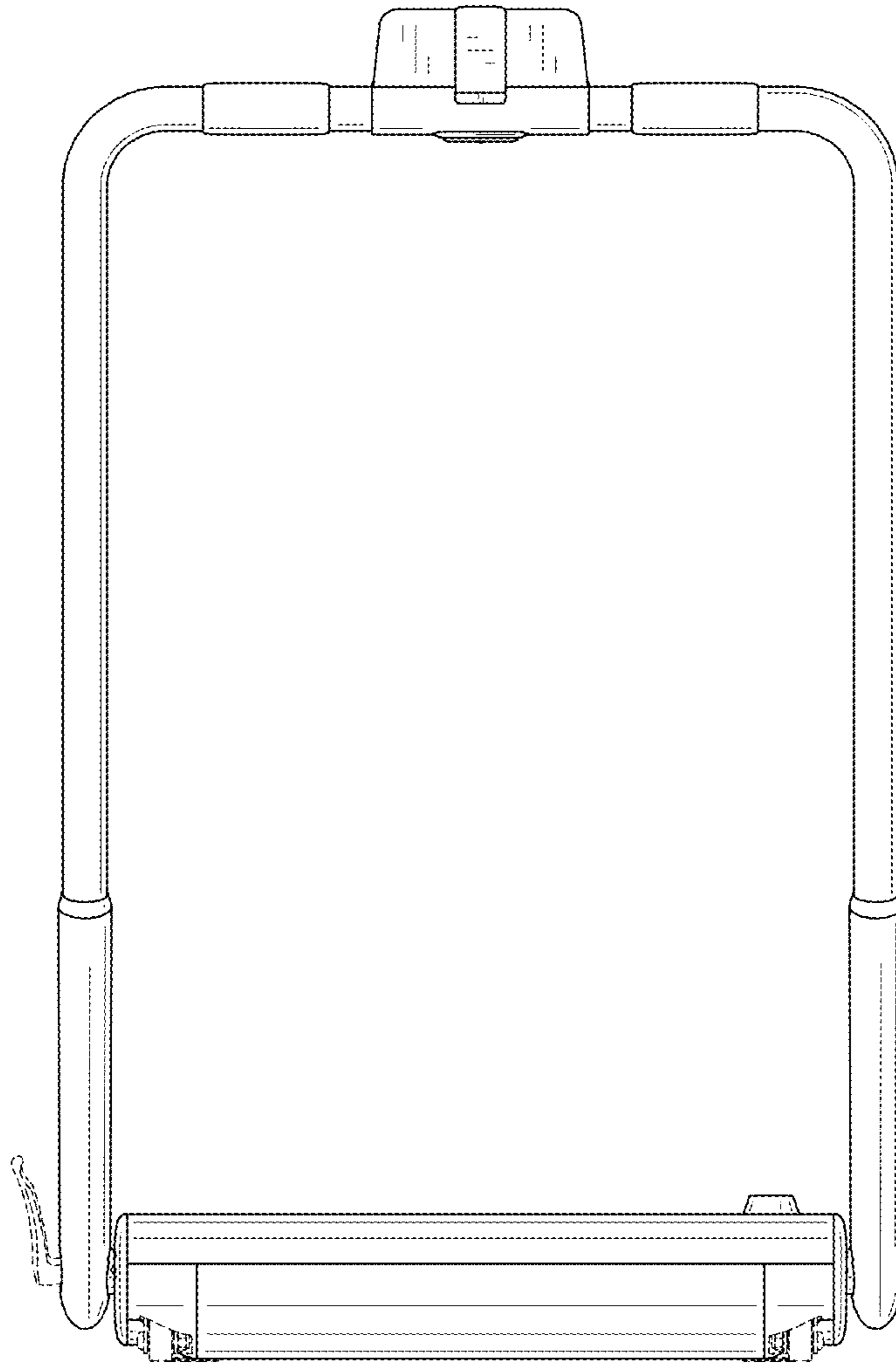


FIG. 3

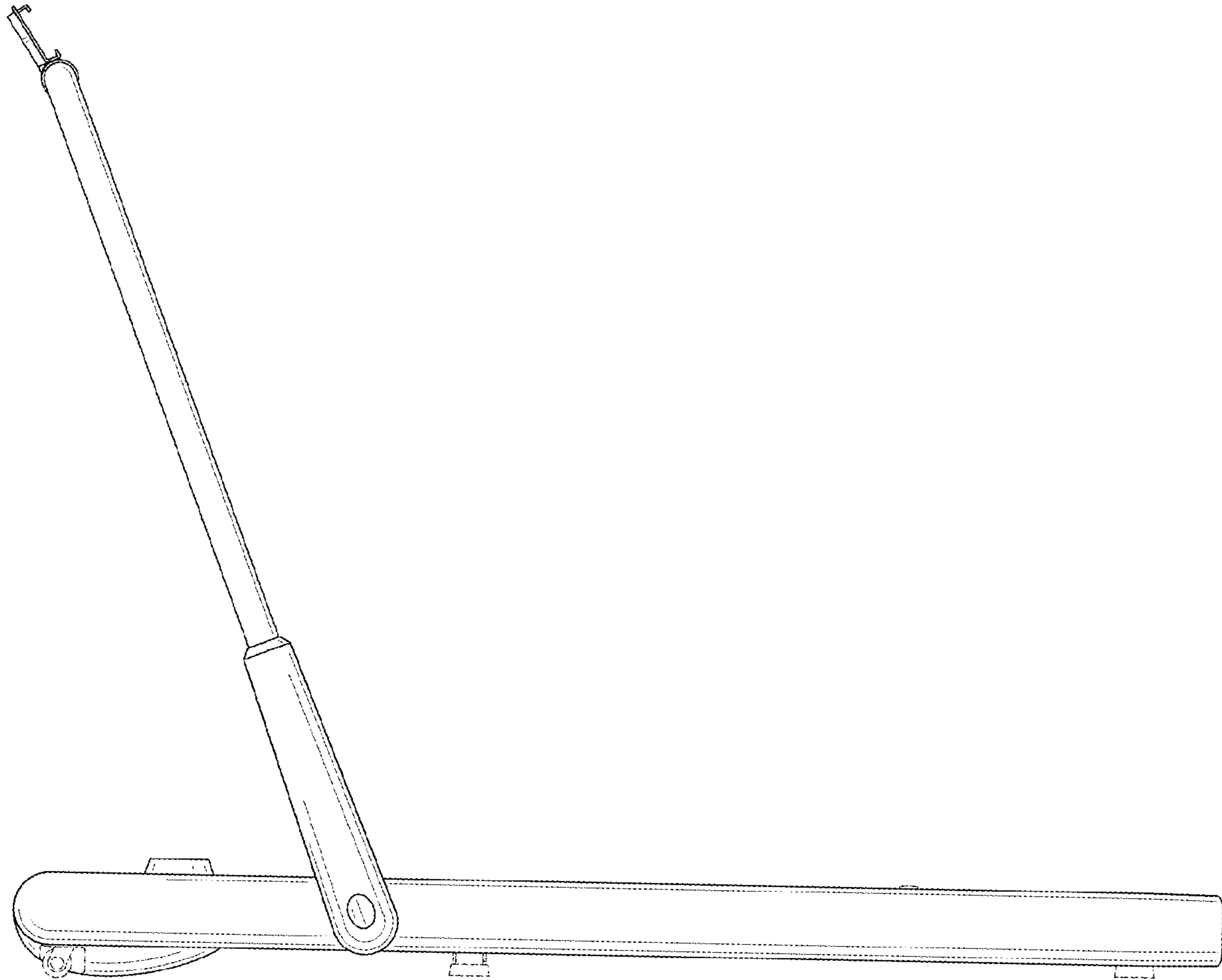


FIG. 4

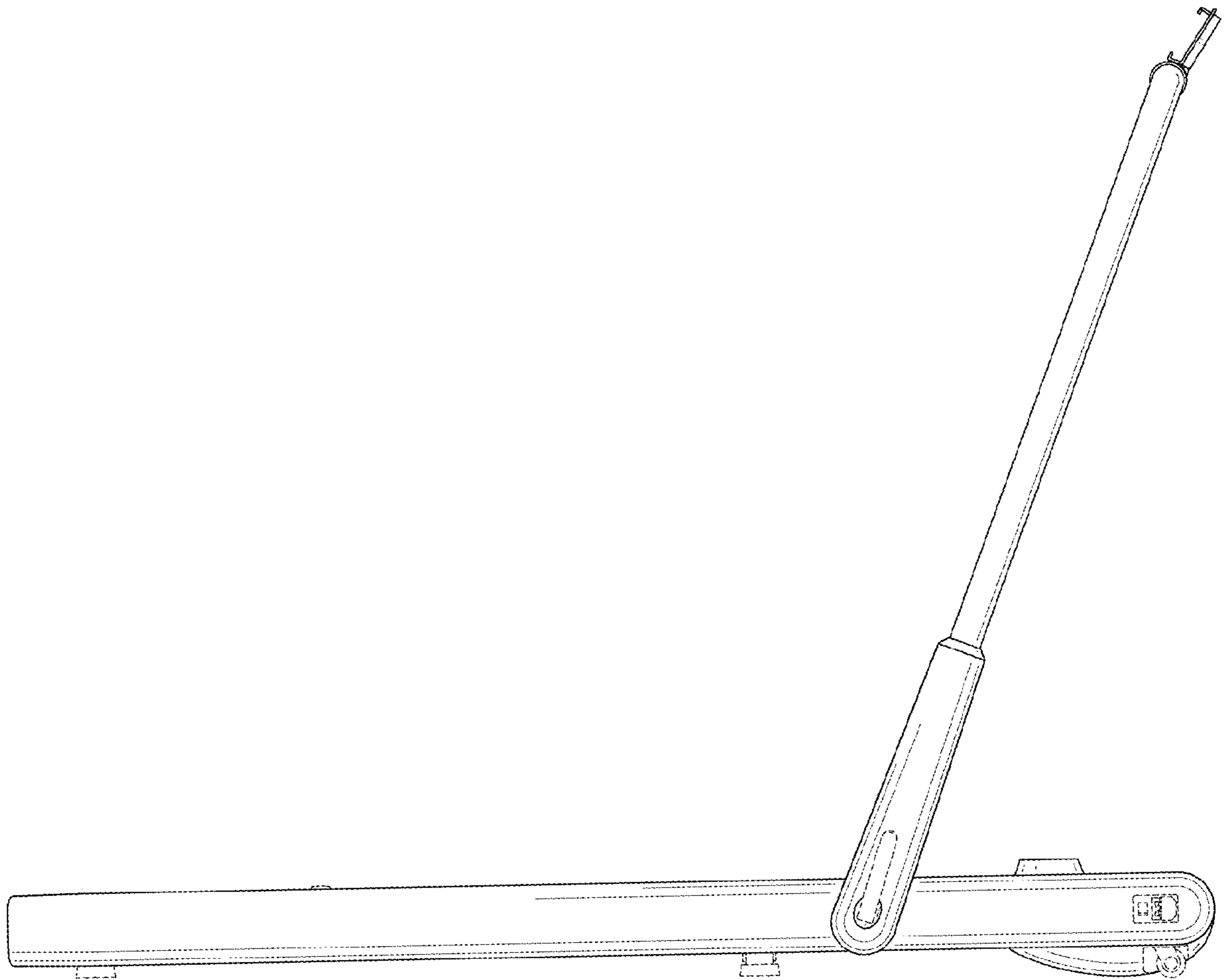


FIG. 5

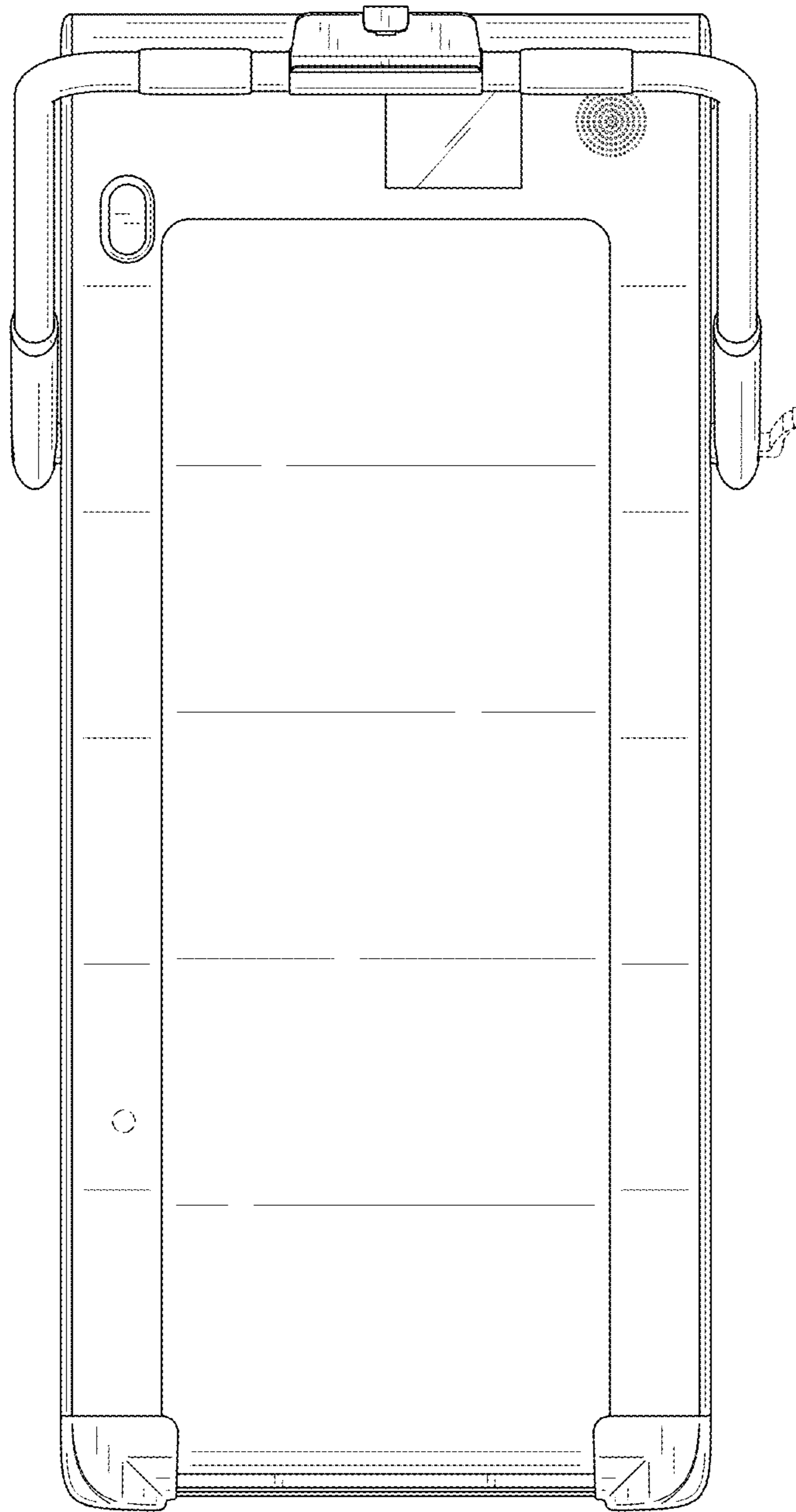


FIG. 6

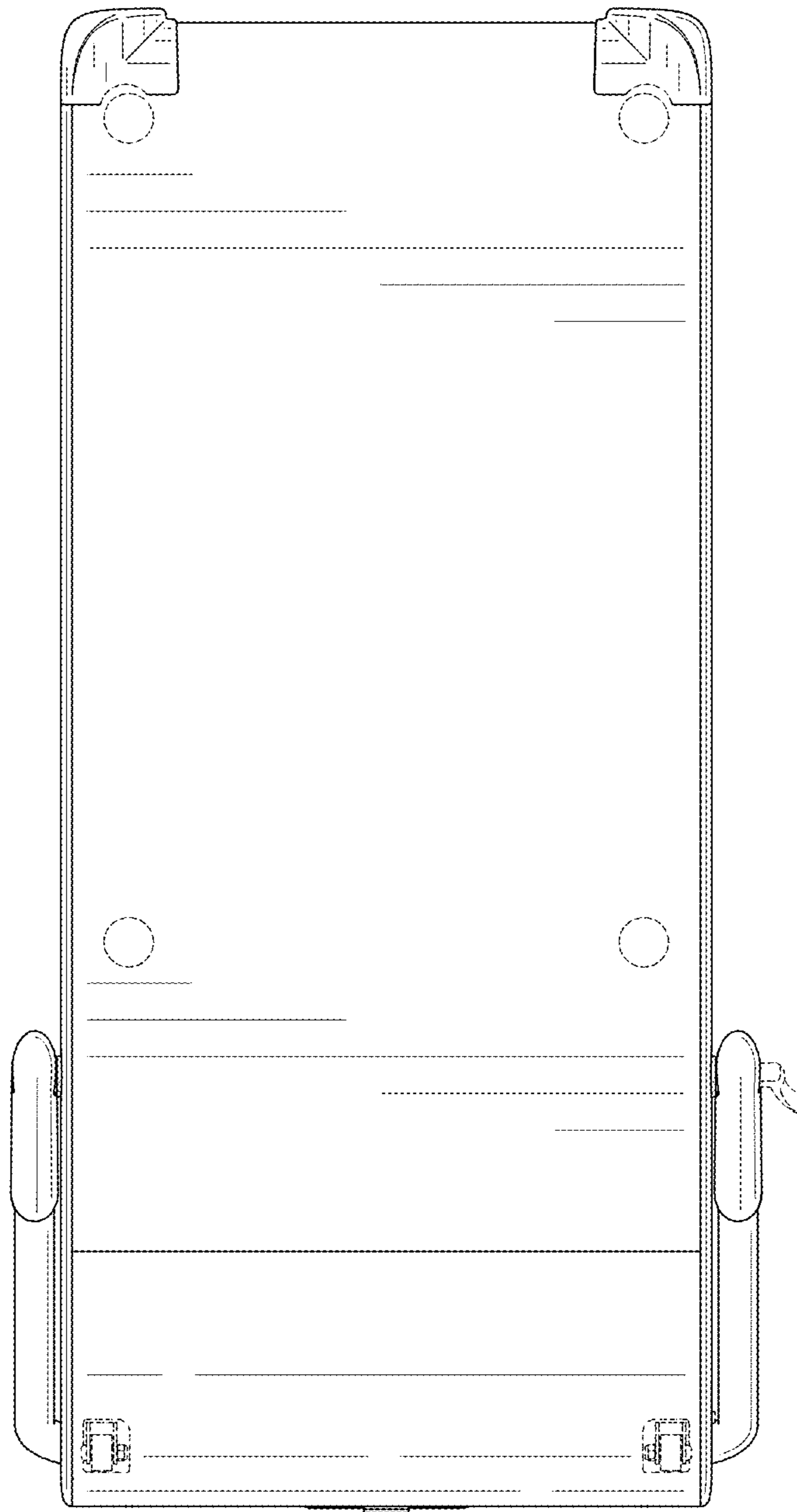


FIG. 7