



US00D888842S

(12) **United States Design Patent**
Yoo

(10) **Patent No.:** **US D888,842 S**
(45) **Date of Patent:** **** Jun. 30, 2020**

- (54) **PROJECTILE MAGAZINE SIDEWALL**
- (71) Applicant: **Hasbro, Inc.**, Pawtucket, RI (US)
- (72) Inventor: **Jae Hoon Yoo**, North Attleboro, MA (US)
- (73) Assignee: **HASBRO, INC.**, Pawtucket, RI (US)
- (**) Term: **15 Years**
- (21) Appl. No.: **29/671,451**
- (22) Filed: **Nov. 27, 2018**
- (51) **LOC (12) Cl.** **21-01**
- (52) **U.S. Cl.**
USPC **D21/573; D22/108**
- (58) **Field of Classification Search**
USPC D21/570, 573, 574; D22/108
CPC F41B 11/50; F41B 11/51; F41B 11/52;
F41B 11/53; F41B 11/55; F41B 11/56;
F41B 11/57; F41B 11/89; F41B 7/08;
F41A 9/24; F41A 9/61
See application file for complete search history.

6,598,329	B1	7/2003	Alexander	
7,287,526	B1	10/2007	Bligh et al.	
7,418,797	B1	9/2008	Crose	
7,437,847	B1	10/2008	Mabry	
7,552,557	B1	6/2009	Mabry	
D815,235	S *	4/2018	Grego	D22/108
D842,391	S *	3/2019	Iwasawa	D21/575
10,371,473	B1 *	8/2019	Wei	F41B 11/89
2018/0202752	A1 *	7/2018	Buys	F41B 11/723
2018/0202753	A1 *	7/2018	Willson	F41B 11/55

* cited by examiner

Primary Examiner — Cynthia M. Chin

(74) *Attorney, Agent, or Firm* — Perry Hoffman

(57) **CLAIM**

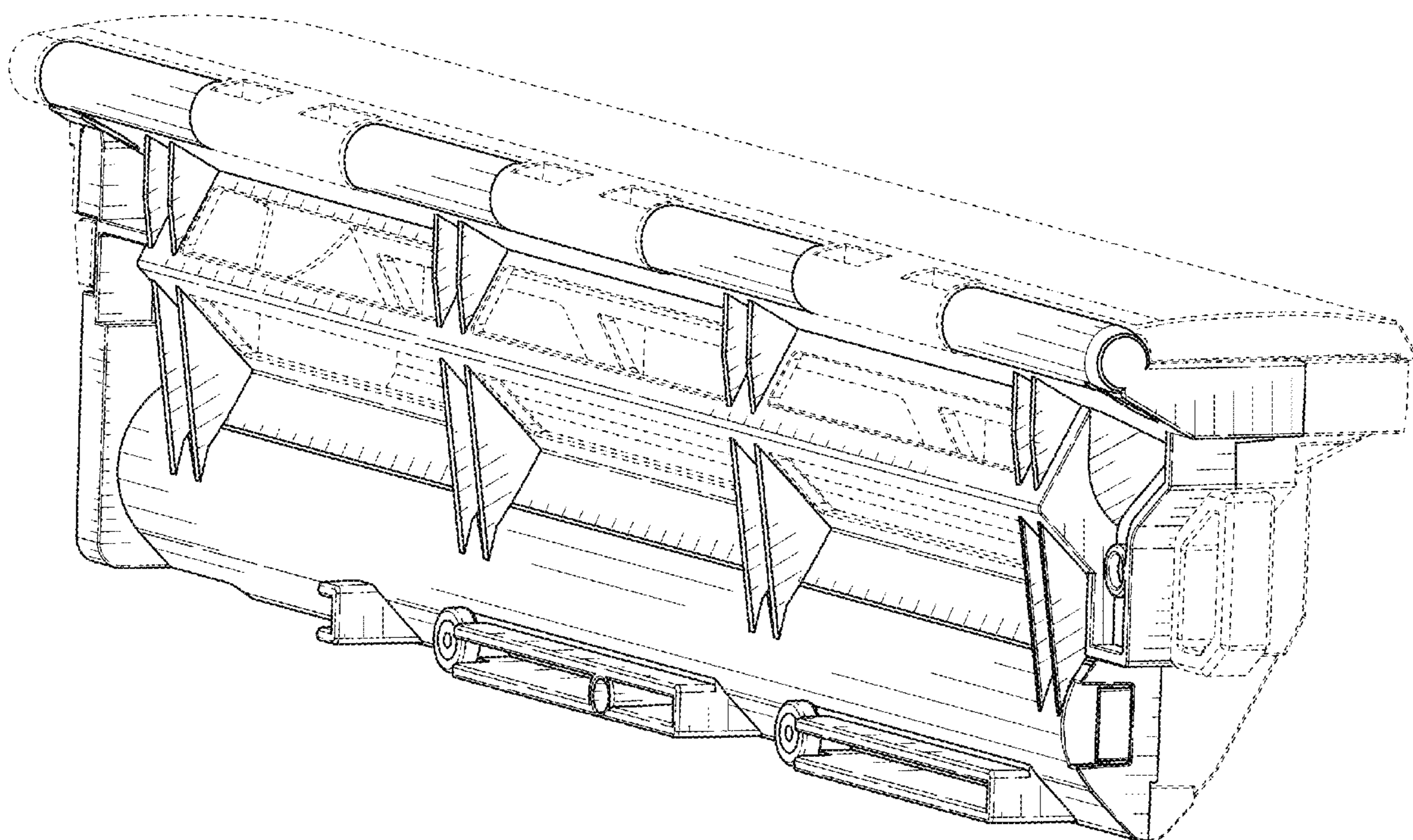
The ornamental design for a projectile magazine sidewall, as shown and described.

DESCRIPTION

FIG. 1 is a perspective view of the projectile magazine sidewall of the instant invention;
 FIG. 2 is a right side elevational view thereof;
 FIG. 3 is a left side elevational view thereof;
 FIG. 4 is a front view thereof;
 FIG. 5 is a rear view thereof;
 FIG. 6 is a top view thereof;
 FIG. 7 is a bottom view thereof; and,
 FIG. 8 is a perspective view of the projectile magazine sidewall of the instant invention shown in an assembly environment with broken surface lines for illustrative purposes forming a sidewall portion thereof.
 The broken lines are for the purpose of illustrating portions of the article that form no part of the claim.

1 Claim, 6 Drawing Sheets

- (56) **References Cited**
U.S. PATENT DOCUMENTS
- | | | | |
|-----------|---|---------|-----------|
| 409,017 | A | 8/1889 | Comstock |
| 522,464 | A | 7/1894 | Fox |
| 532,090 | A | 1/1895 | Park |
| 961,511 | A | 6/1910 | Marble |
| 3,465,744 | A | 9/1969 | Nielsen |
| 4,774,929 | A | 10/1988 | Milliman |
| 5,529,050 | A | 6/1996 | D'Andrade |



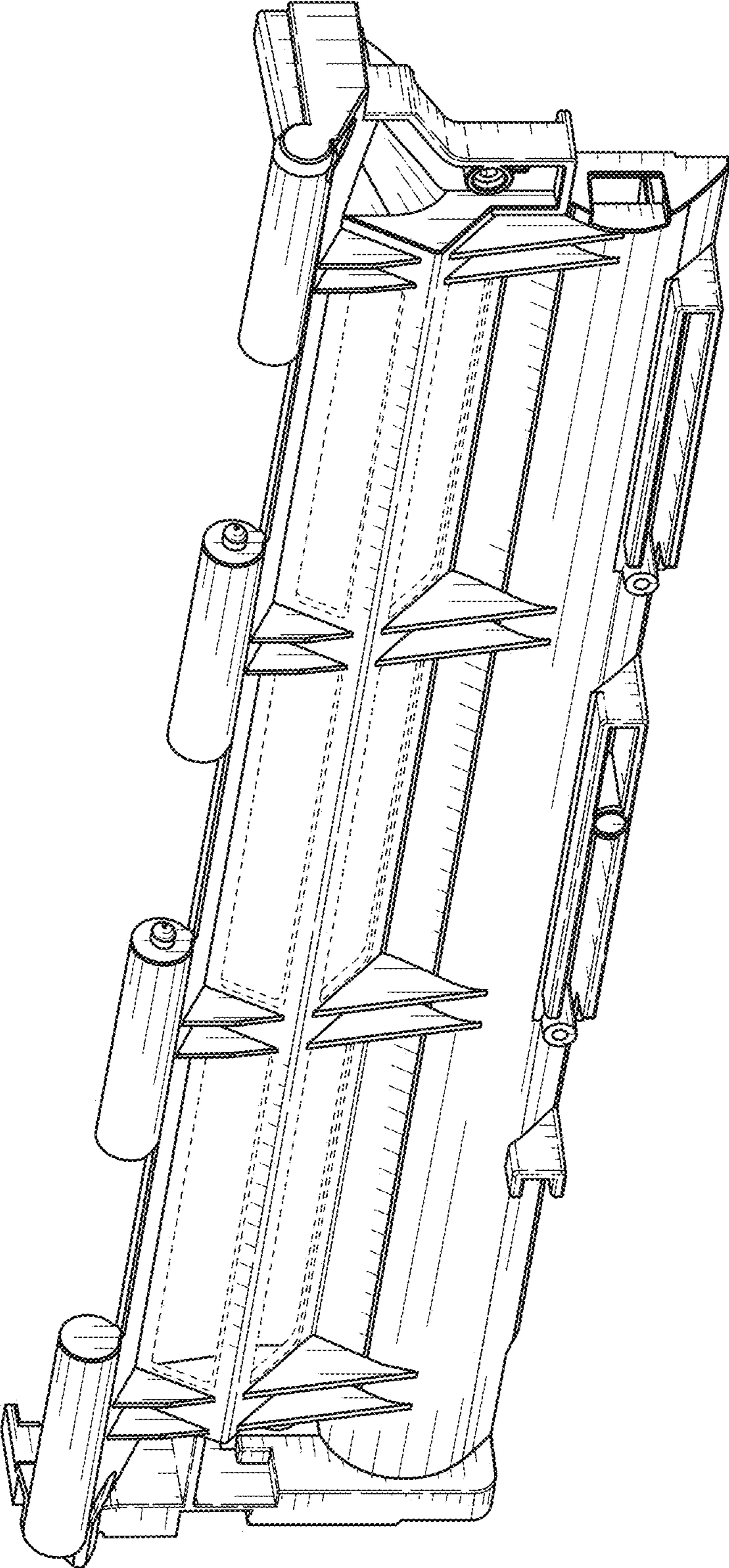


FIG. 1

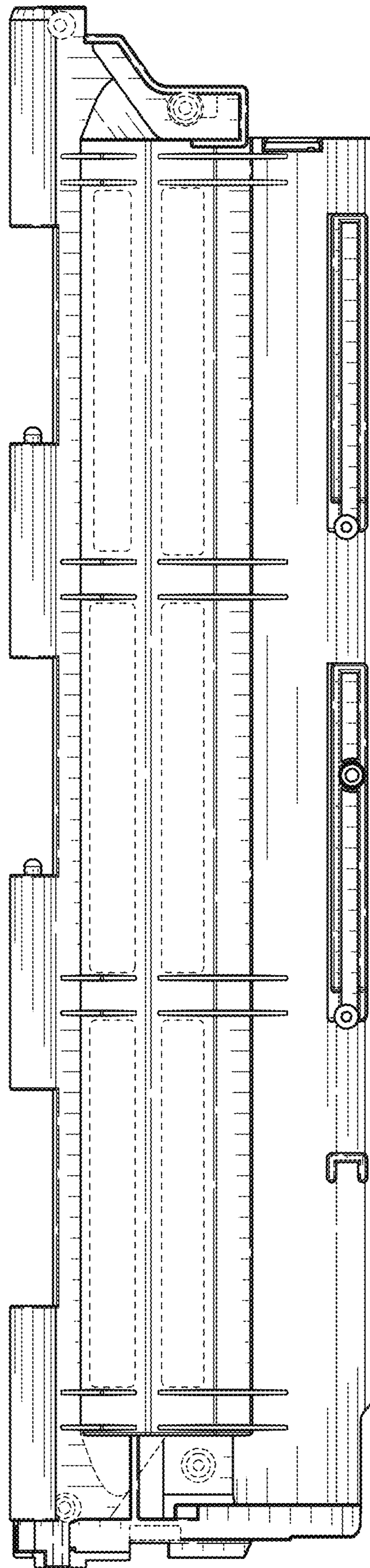


FIG. 2

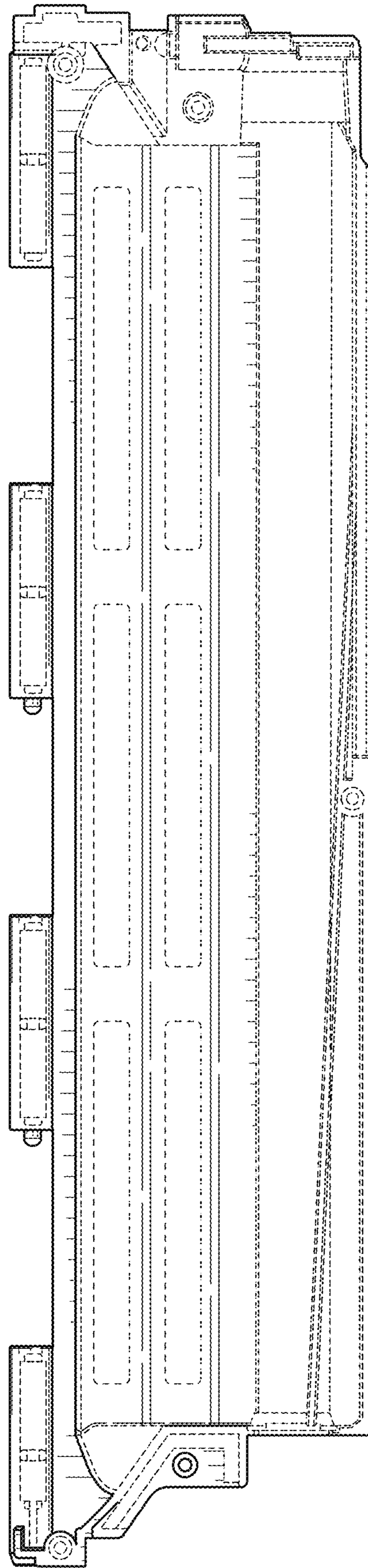


FIG. 3

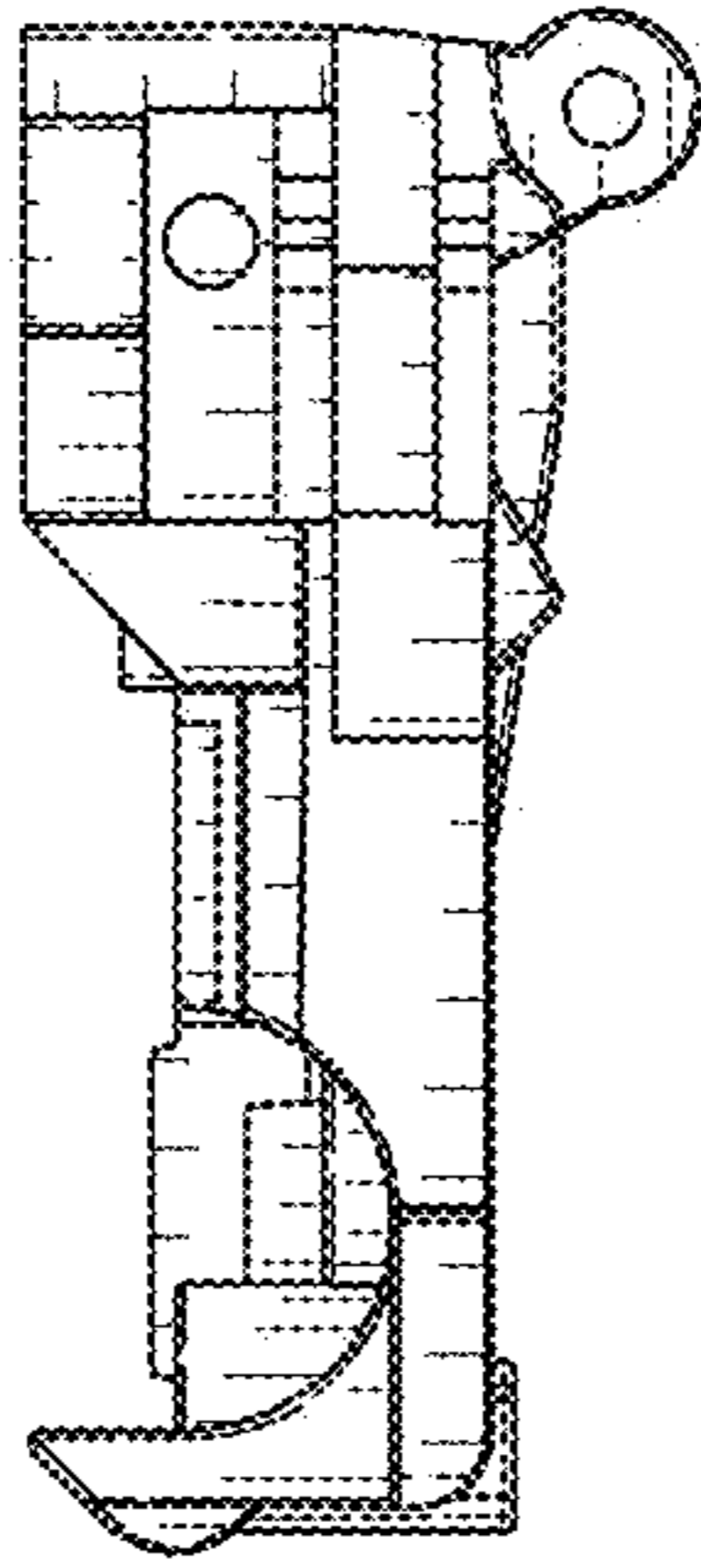


FIG. 4

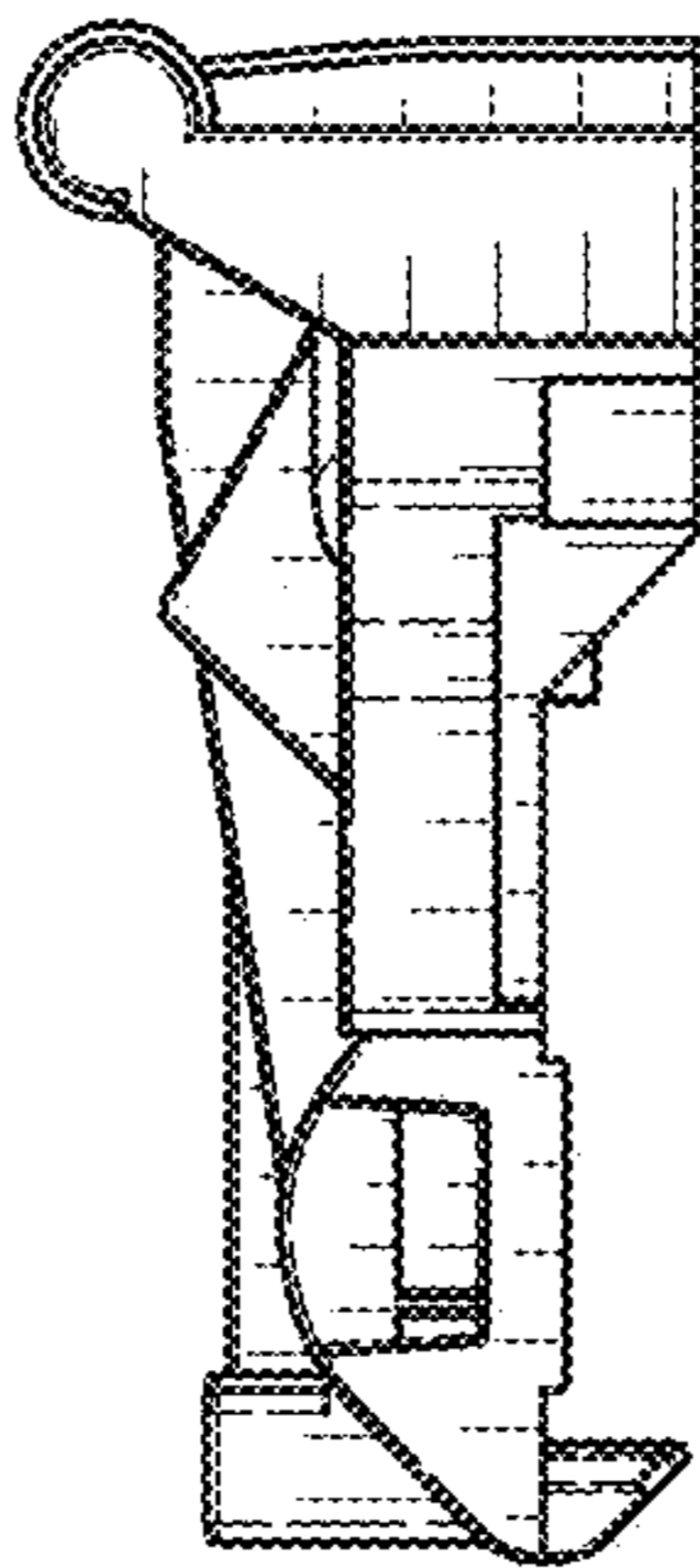


FIG. 5

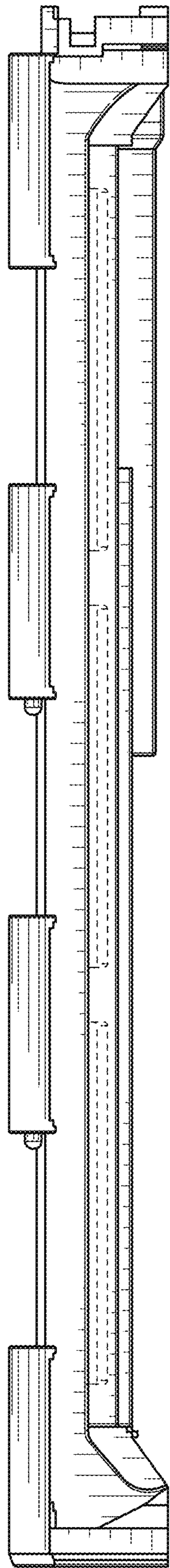


FIG. 6

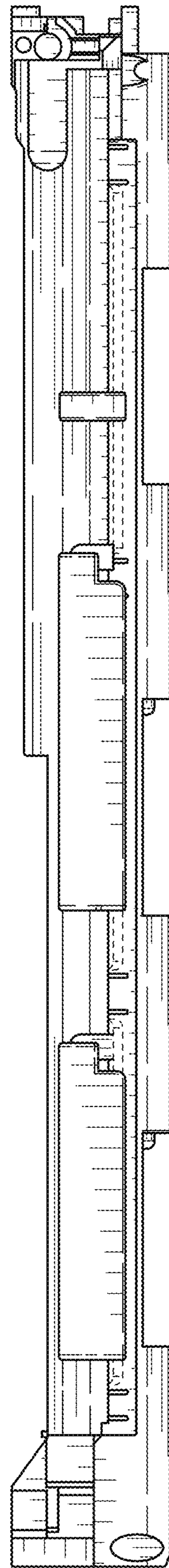


FIG. 7

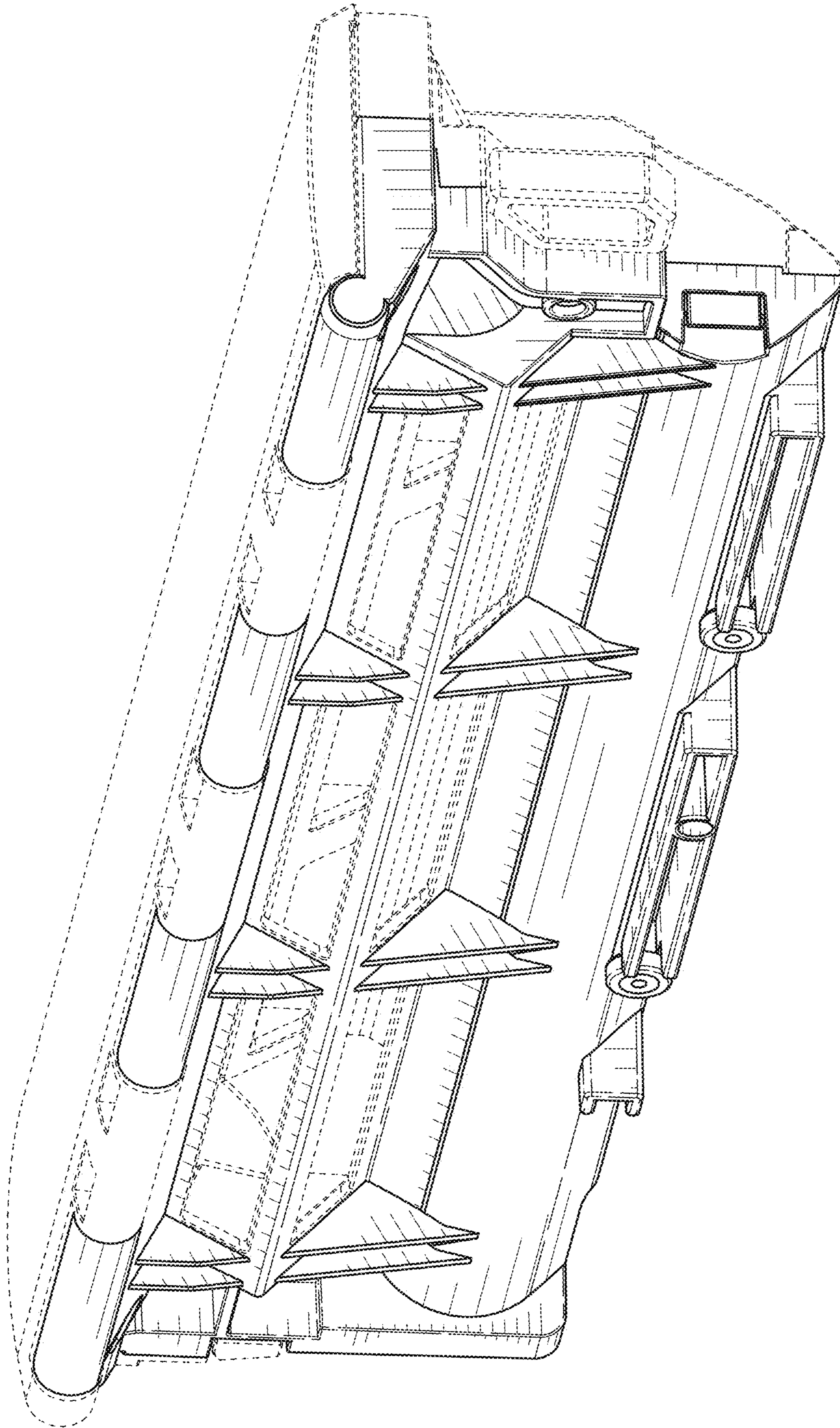


FIG. 8