



US00D888840S

(12) **United States Design Patent**  
**Gamble**

(10) **Patent No.:** **US D888,840 S**  
(45) **Date of Patent:** **\*\* Jun. 30, 2020**

(54) **TOY FLYING VEHICLE**  
(71) Applicant: **SPIN MASTER LTD.**, Toronto (CA)  
(72) Inventor: **Lee Gamble**, Etobicoke (CA)  
(73) Assignee: **SPIN MASTER LTD.**, Toronto (CA)  
(\*\*) Term: **15 Years**

D559,332 S \* 1/2008 Kang ..... D21/538  
8,231,426 B2 \* 7/2012 Miller ..... A63H 17/21  
446/440  
D713,475 S \* 9/2014 Hui ..... D21/432  
D744,600 S \* 12/2015 Gan ..... D21/538  
D782,366 S \* 3/2017 Xiao ..... D12/16.1  
D801,222 S \* 10/2017 Zhou ..... D12/16.1

(Continued)

(21) Appl. No.: **29/675,615**  
(22) Filed: **Jan. 3, 2019**  
(51) **LOC (12) Cl.** ..... **21-02**  
(52) **U.S. Cl.**  
USPC ..... **D21/436**  
(58) **Field of Classification Search**  
USPC ..... D12/1, 2, 3, 4, 16.1, 319–345;  
D21/437–455  
CPC ..... B64C 29/0033; B64C 2201/021; B64C  
29/02; B64C 2201/088; B64C 2201/104;  
B64C 2201/141  
See application file for complete search history.

**OTHER PUBLICATIONS**

RC Drone Motorcycle. by Walmart. dated 2020. found online [Apr. 20, 2020] <https://www.walmart.com/ip/RC-Drone-2-in-1-RC-Stunt-Drone-Motorcycle-Mini-RC-Quadcopter-2-4G-Land-Air-Dual-Playing-Drone-for-Kids-Christmas-Birthday-Gift-for-Children/600482130?wmlspartner=wlp&selectedSellerId=101001360&adid=22222222273266621>.\*

(Continued)

*Primary Examiner* — Marissa J Cash  
(74) *Attorney, Agent, or Firm* — Millman IP Inc.

(57) **CLAIM**

The ornamental design for a toy flying vehicle, as shown and described.

(56) **References Cited**

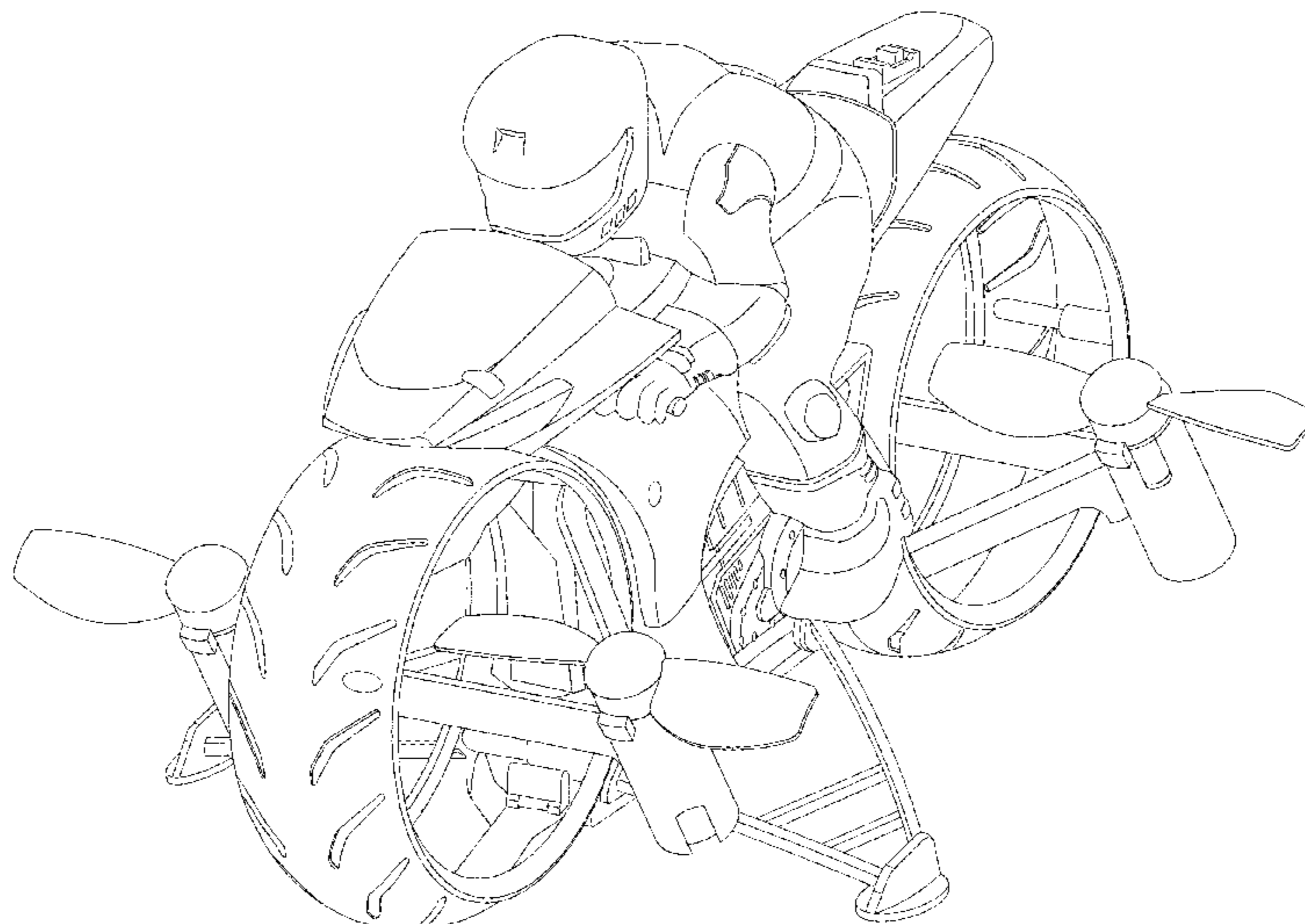
**U.S. PATENT DOCUMENTS**

4,267,663 A \* 5/1981 Nagahara ..... A63H 17/36  
446/440  
4,290,228 A \* 9/1981 Goldfarb ..... A63H 30/04  
180/219  
D269,099 S \* 5/1983 Goldfarb ..... D21/538  
D275,505 S \* 9/1984 Takasaka ..... D21/538  
4,563,164 A \* 1/1986 Tao ..... A63H 29/20  
446/275  
4,966,569 A \* 10/1990 Asano ..... A63H 17/22  
446/440  
D346,414 S \* 4/1994 Wong ..... D21/538  
6,095,891 A \* 8/2000 Hoeting ..... A63H 17/22  
446/431  
D476,381 S \* 6/2003 Mukaida ..... D21/538  
6,854,547 B2 \* 2/2005 Moll ..... A63H 30/02  
180/167  
7,234,990 B2 \* 6/2007 Leonov ..... A63H 17/22  
446/440

**DESCRIPTION**

FIG. 1 is a perspective view from above, to the front and to the right side of the new design for a toy flying vehicle; FIG. 2 is a perspective view from above, to the rear and to the left side thereof; FIG. 3 is a perspective view from below, to the front and to the left side thereof; FIG. 4 is a perspective view from below, to the rear and to the left side thereof; FIG. 5 is a right side view thereof; FIG. 6 is a left side view thereof; FIG. 7 is a top plan view thereof; FIG. 8 is a bottom plan view thereof; FIG. 9 is a front view thereof; and, FIG. 10 is a rear view thereof.

**1 Claim, 7 Drawing Sheets**



(56)

**References Cited**

U.S. PATENT DOCUMENTS

D821,263 S \* 6/2018 Goldy ..... D12/16.1  
D846,032 S \* 4/2019 Frawley ..... D21/436  
10,245,952 B1 \* 4/2019 Patterson ..... B62M 23/00  
D856,847 S \* 8/2019 Wang ..... D12/1  
D858,648 S \* 9/2019 Zhukov ..... D21/432  
D859,209 S \* 9/2019 MacAndrew ..... D12/4  
D862,361 S \* 10/2019 Corning ..... D12/330  
2006/0121824 A1 \* 6/2006 Lee ..... A63H 17/36  
446/440  
2011/0074183 A1 \* 3/2011 Kanazuka ..... B62J 99/00  
296/193.08

OTHER PUBLICATIONS

Flight Rider. by Spin Master. dated 2020. found online [Apr. 2, 2020] [https://www.spinmaster.com/product\\_detail.php?pid=p30734&bid=cat\\_air\\_hogs](https://www.spinmaster.com/product_detail.php?pid=p30734&bid=cat_air_hogs).\*

Airhogs Flight Rider. by Air Hogs. dated Sep. 16, 2019. found online [Apr. 20, 2020] <https://www.bing.com/videos/search?q=airhogs+flight+rider&docid=608038983618660935&mid=0C26E23138EE81719D580C26E23138EE81719D58&view=detail&FORM=VIRE>.\*

\* cited by examiner

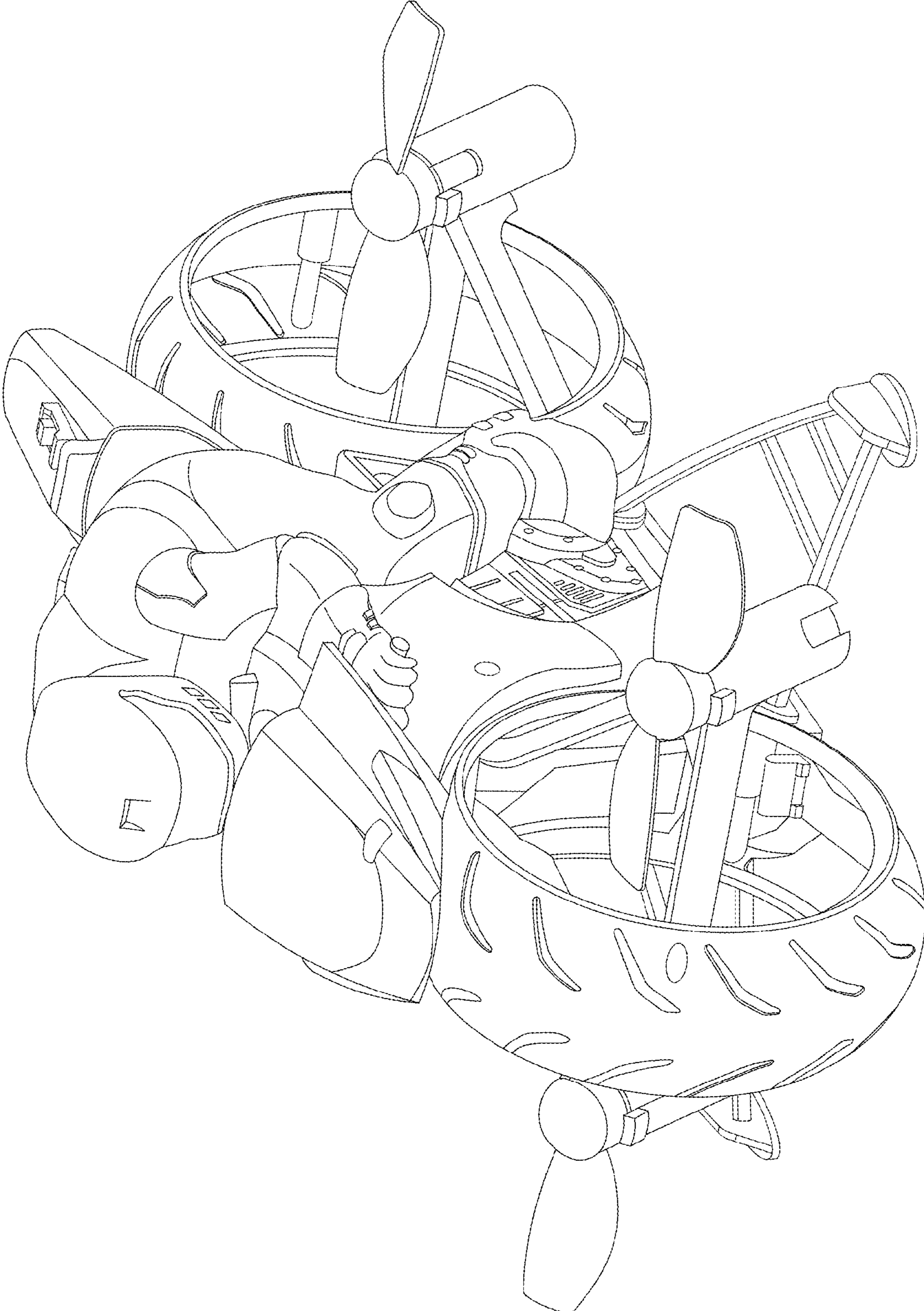


FIG. 1

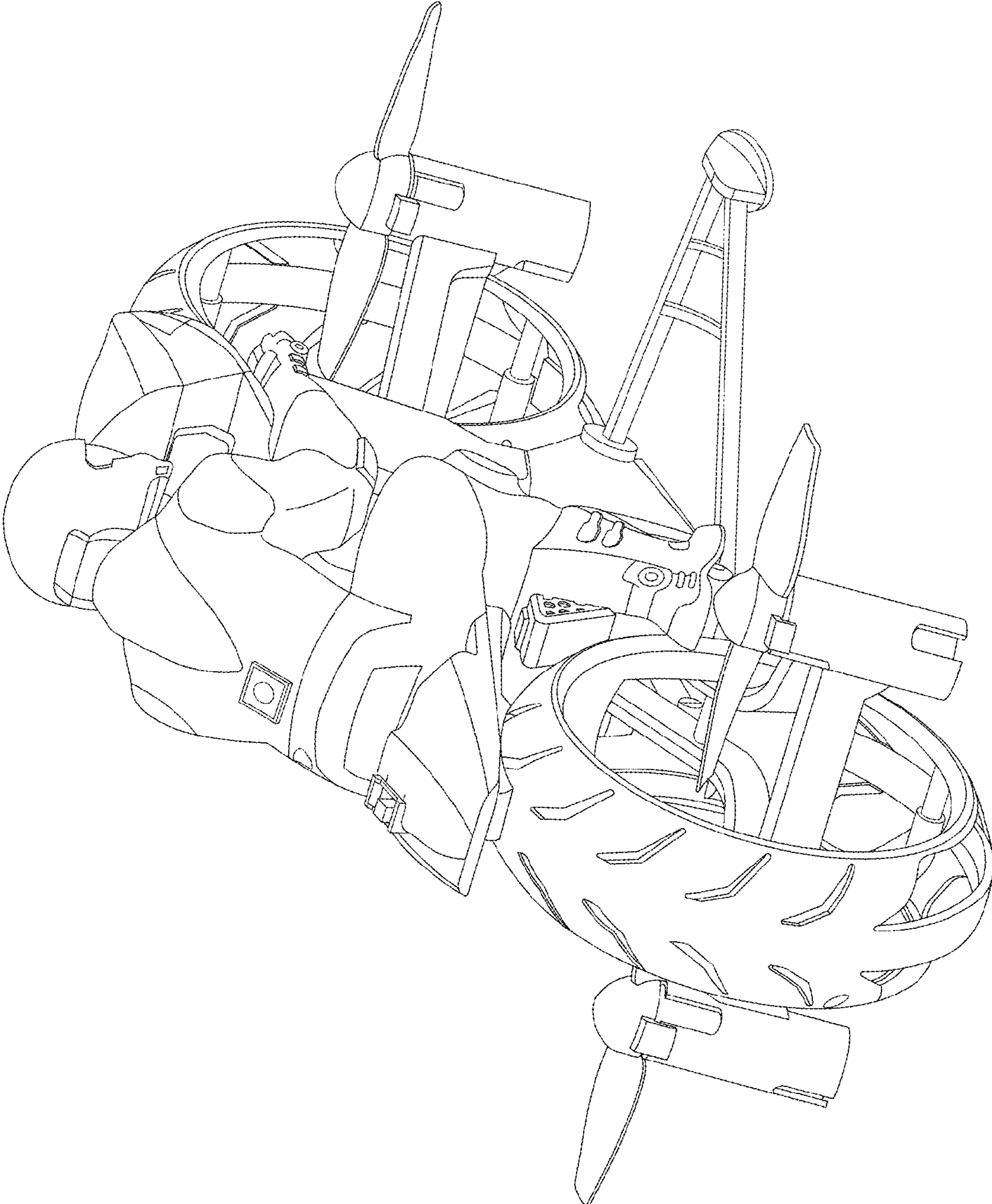


FIG. 2

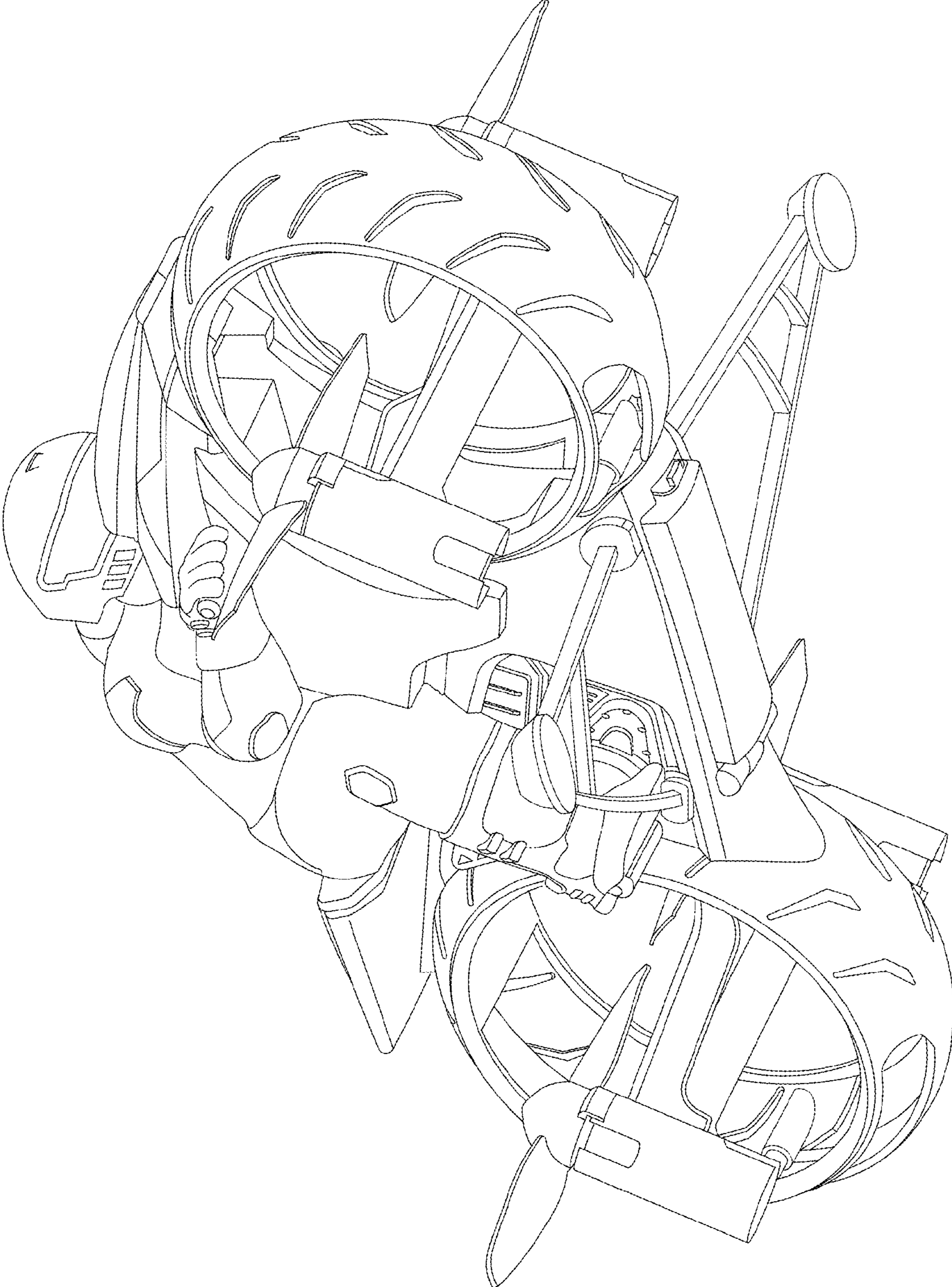


FIG. 3

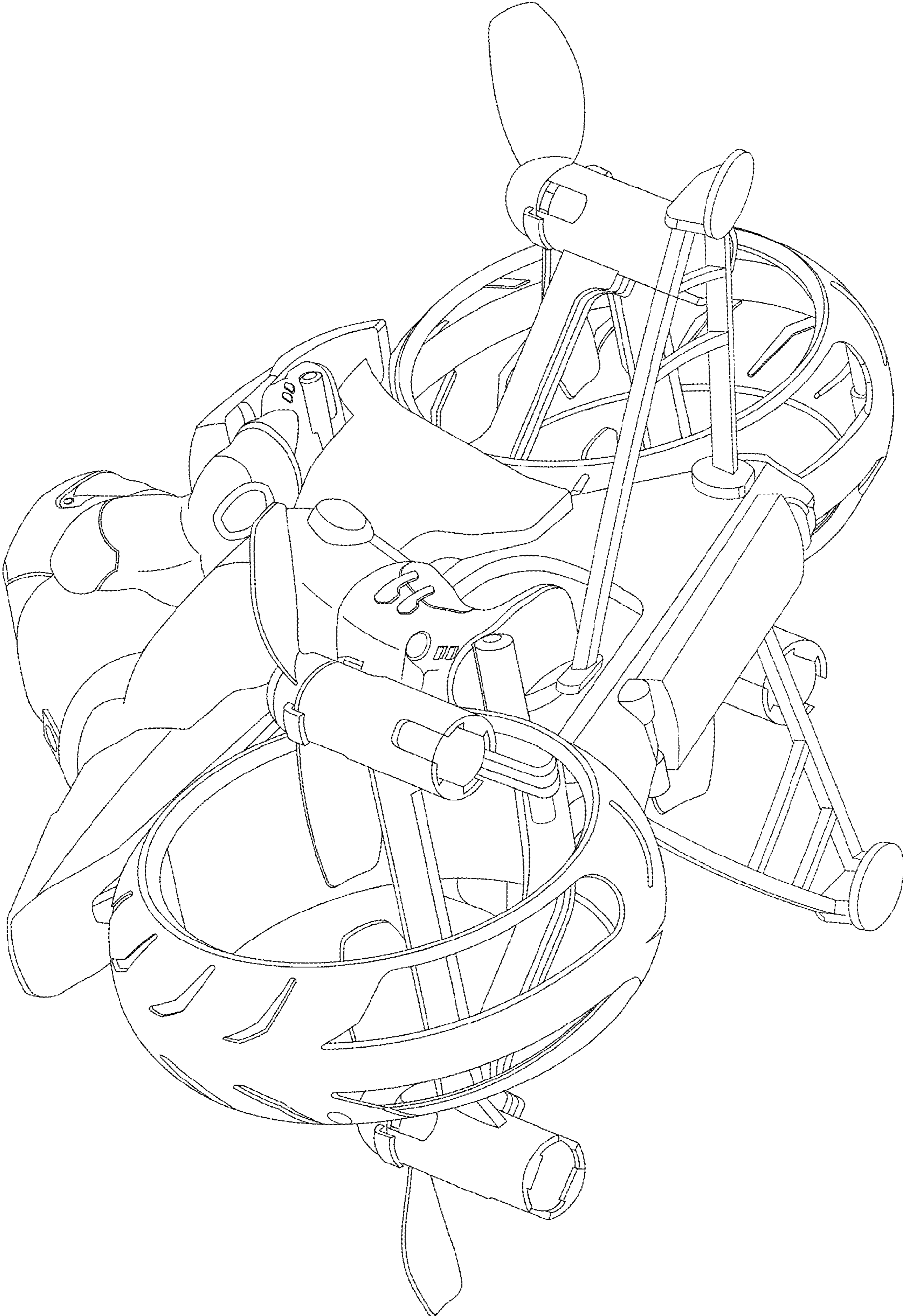


FIG. 4

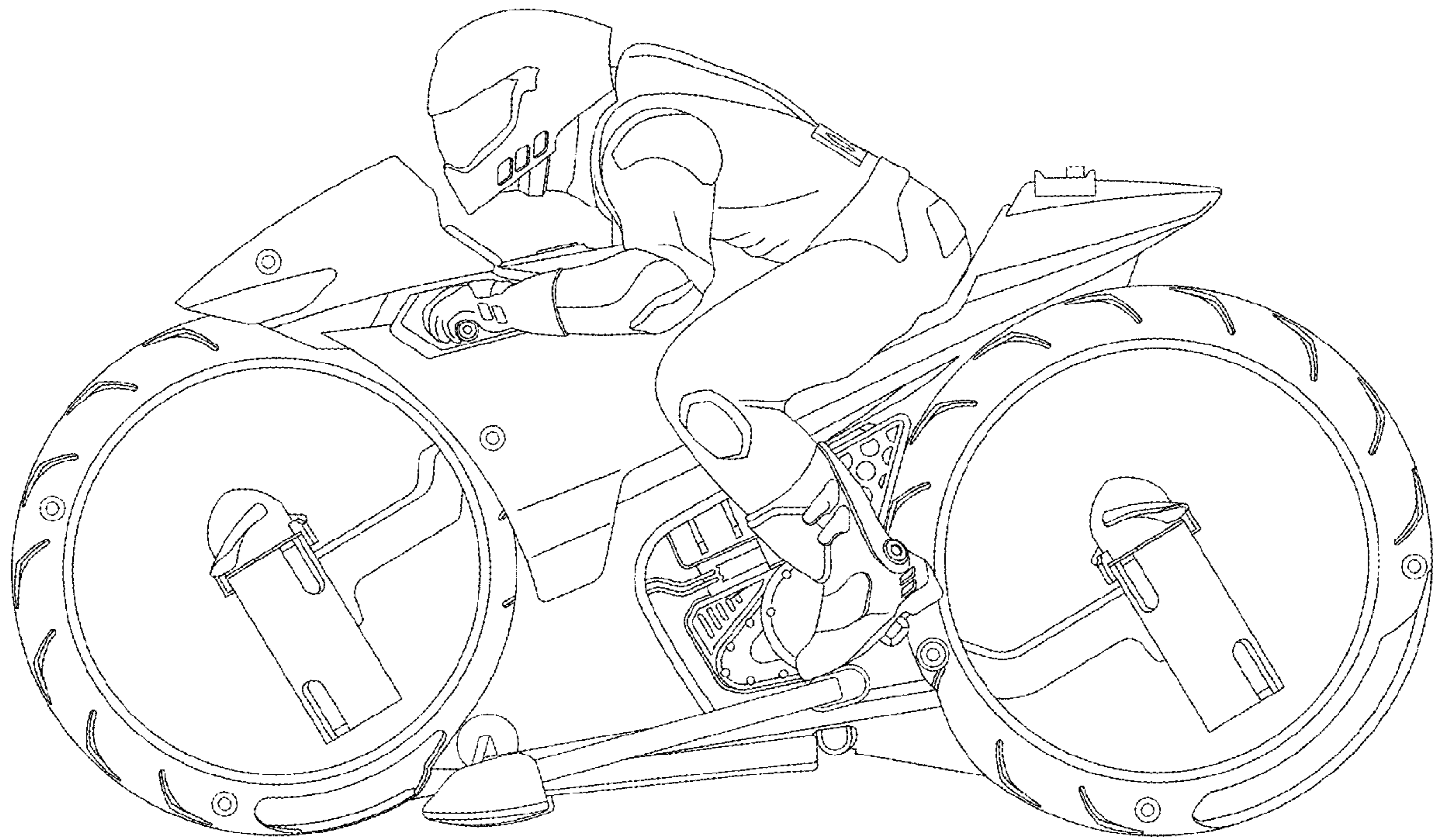


FIG. 5

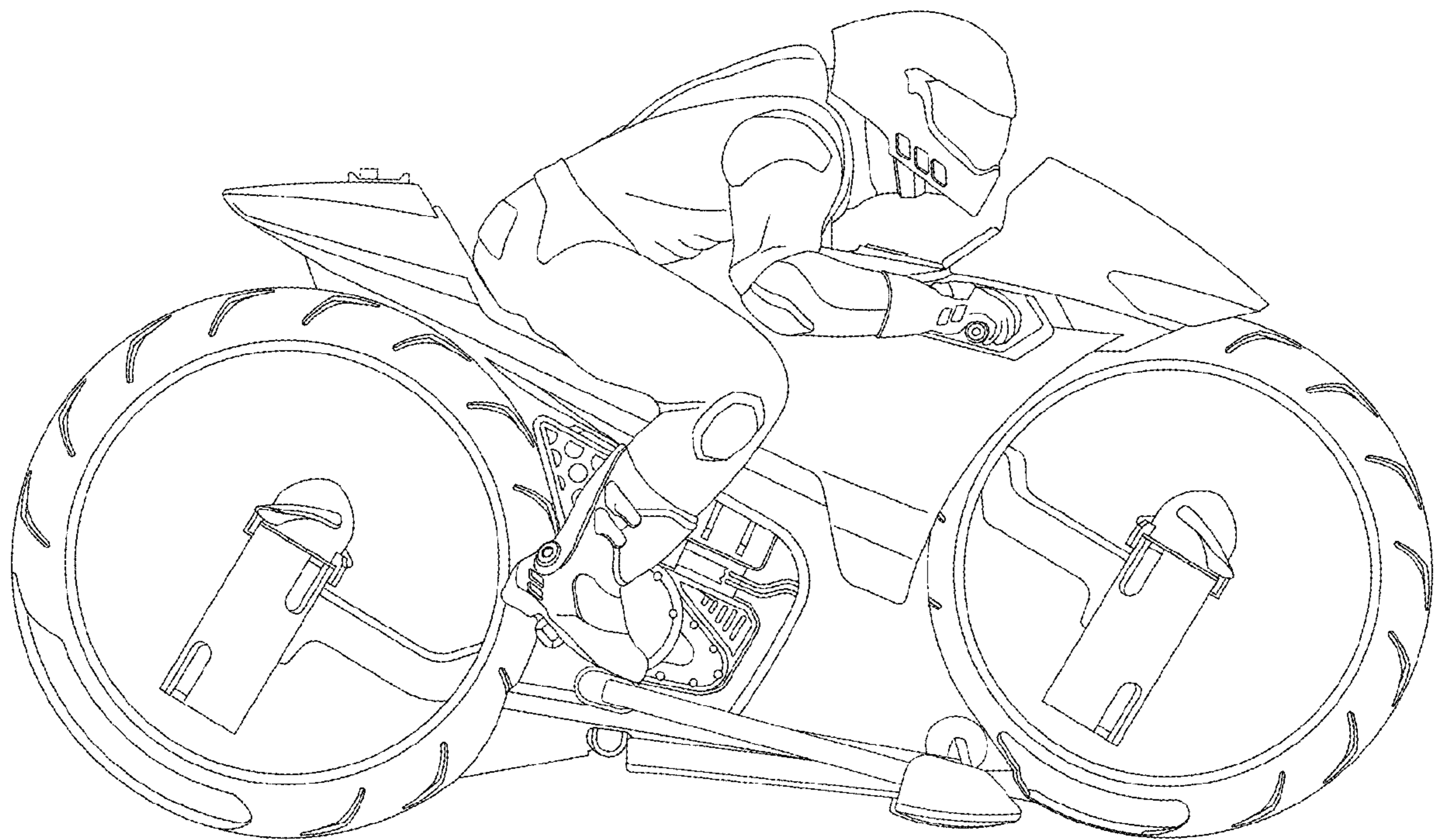


FIG. 6

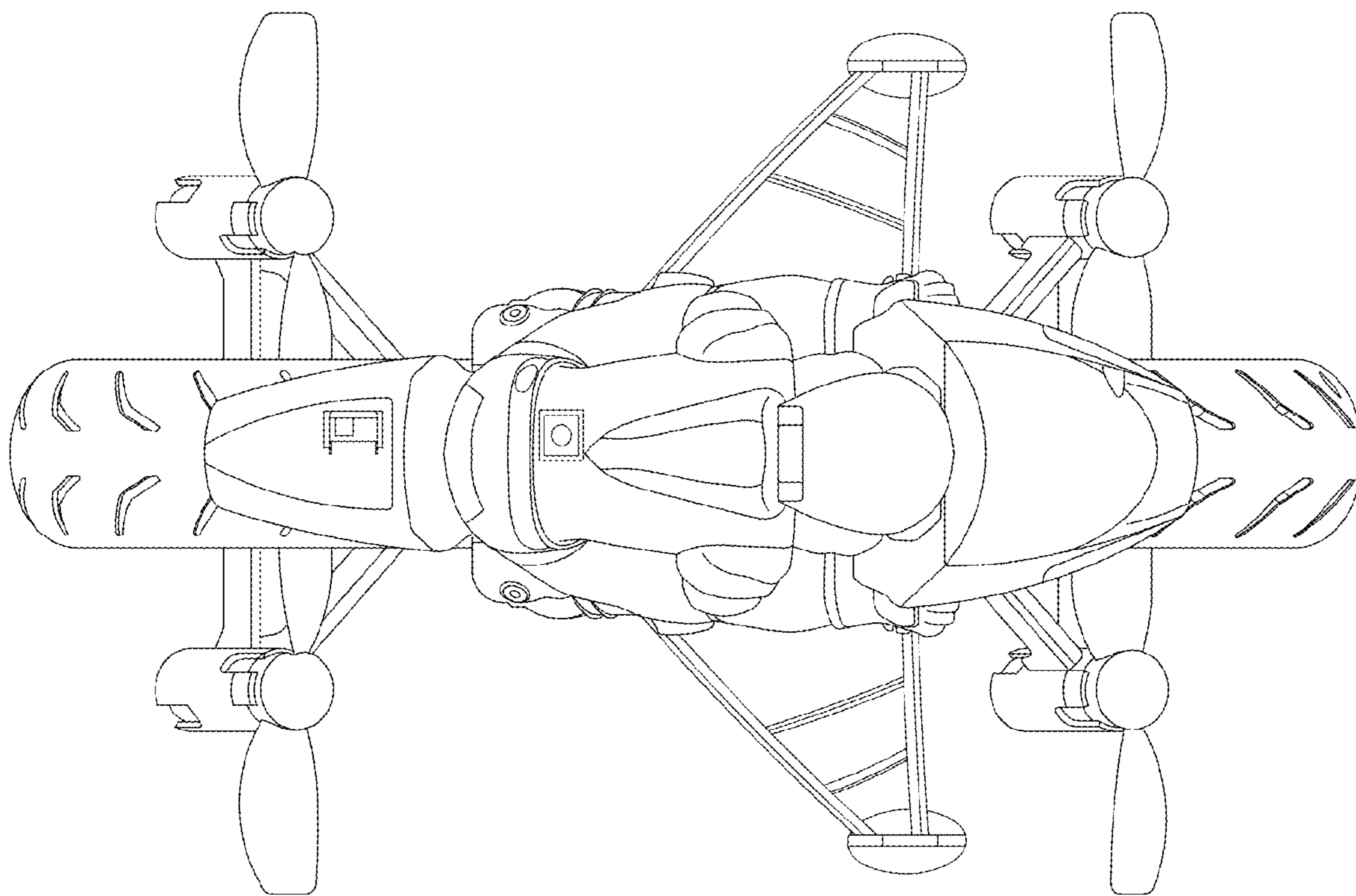


FIG. 7

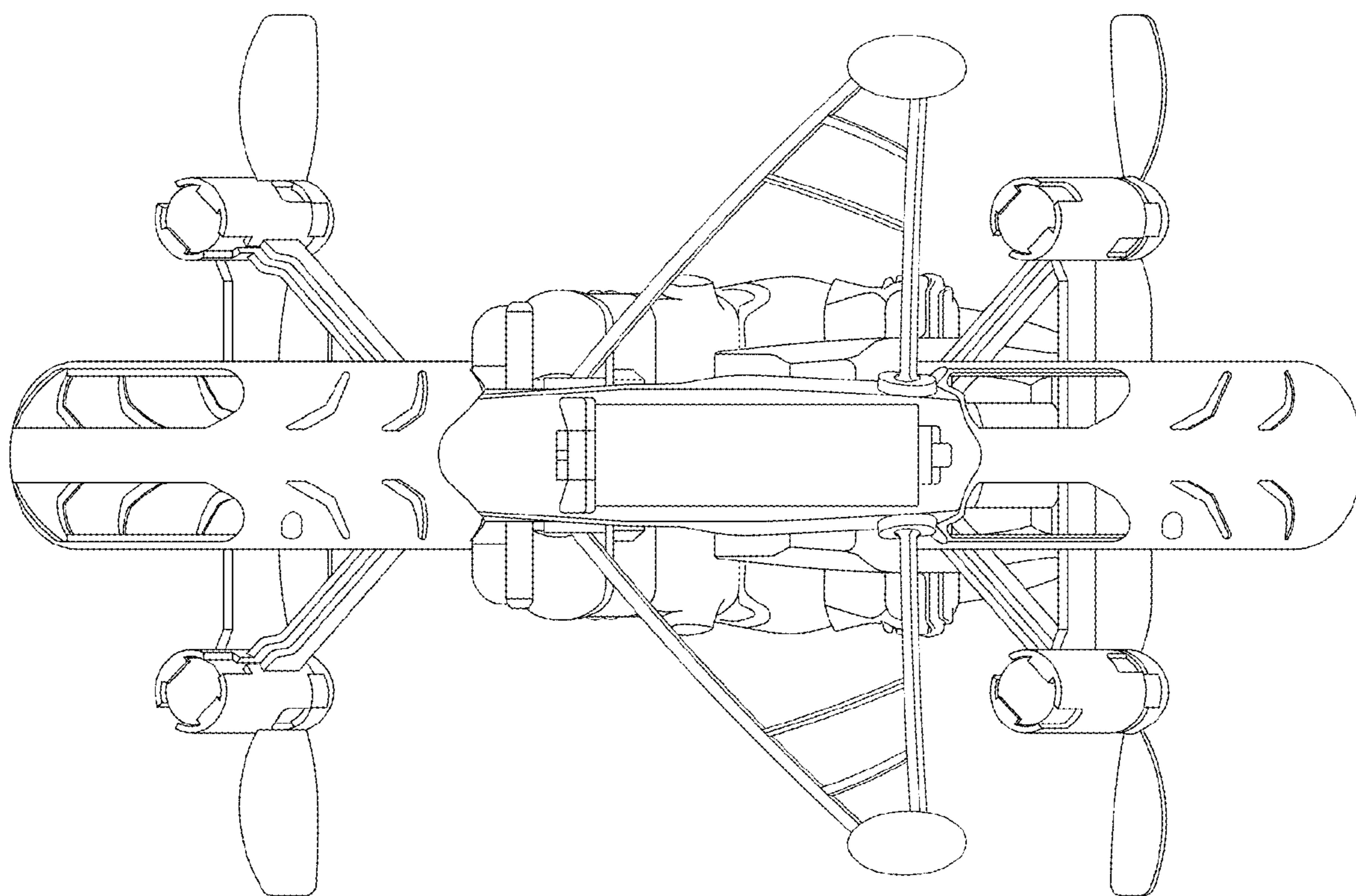


FIG. 8



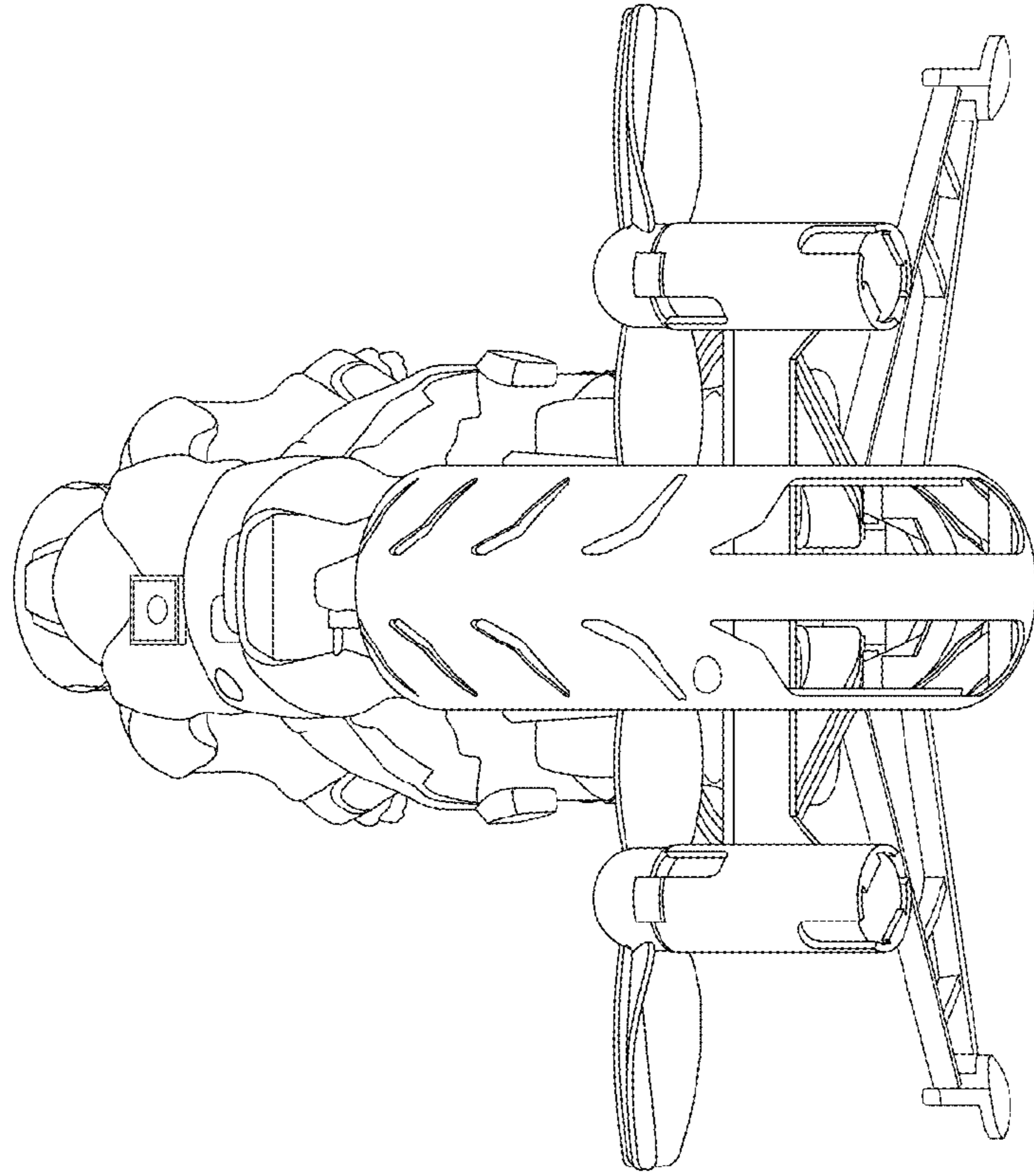


FIG. 10

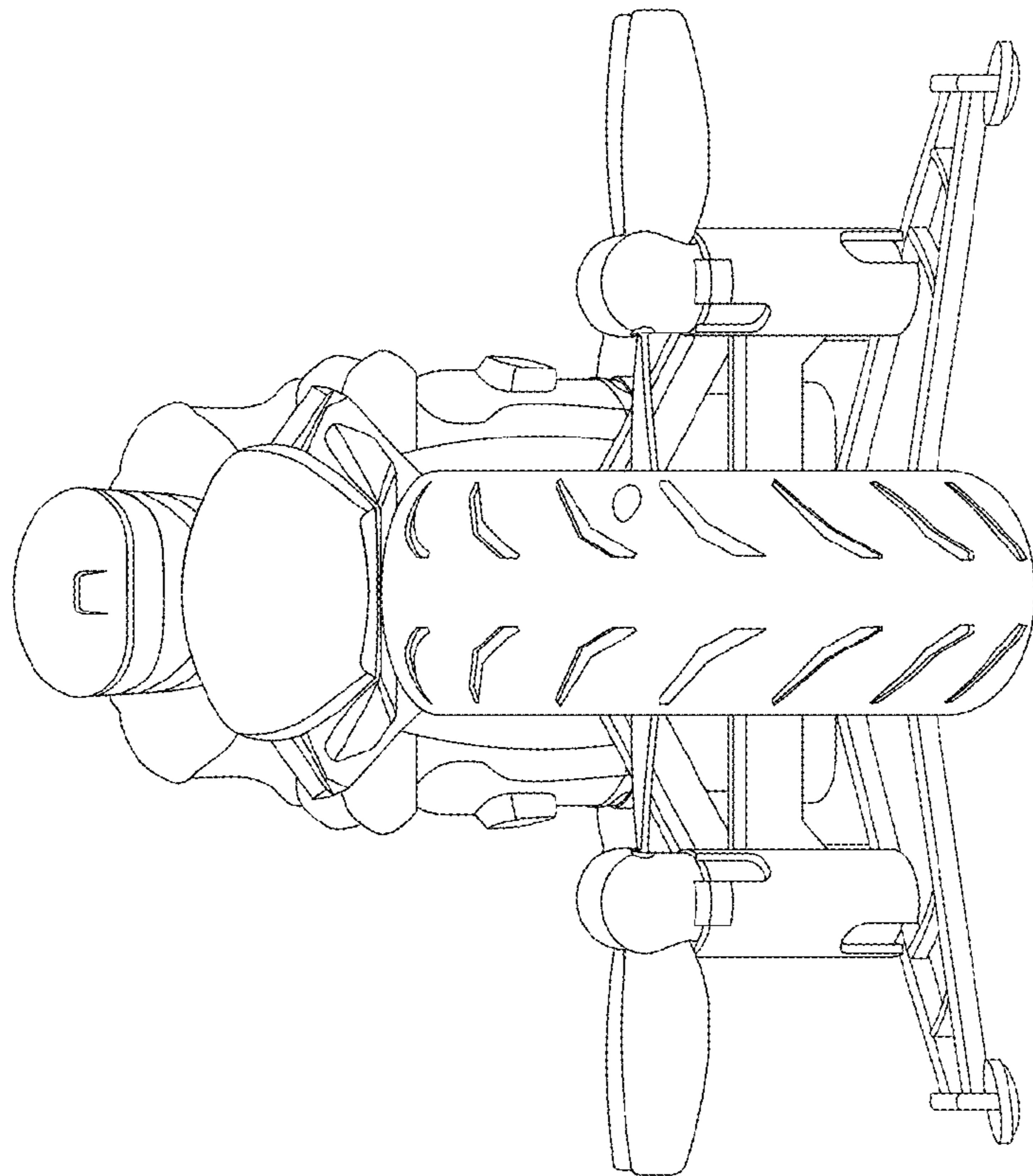


FIG. 9