



US00D888838S

(12) **United States Design Patent**
De Roeck

(10) **Patent No.:** **US D888,838 S**
(45) **Date of Patent:** **** Jun. 30, 2020**

(54) **RIDE-ON TOY**

(71) Applicant: **The Chillafish Compnay, N.V.**,
Antwerp (BE)

(72) Inventor: **Sebastian Annemie B. De Roeck**,
Westmalle (BE)

(73) Assignee: **THE CHILLAFISH COMPANY,**
N.V., Antwerp (BE)

(**) Term: **15 Years**

(21) Appl. No.: **29/687,061**

(22) Filed: **Apr. 10, 2019**

(30) **Foreign Application Priority Data**

Oct. 19, 2018 (EM) 005802717-0001

(51) **LOC (12) Cl.** **21-01**

(52) **U.S. Cl.**
USPC **D21/426**

(58) **Field of Classification Search**
USPC D12/112; D21/419-435
CPC B60K 5/12; B60K 13/04; B60K 17/354;
B62K 13/06; B62K 3/002; B62K 9/00;
B62K 13/00

See application file for complete search history.

(56) **References Cited**

U.S. PATENT DOCUMENTS

D469,477 S * 1/2003 Horchler D21/424
D473,599 S * 4/2003 Horchler D21/424

D547,390 S * 7/2007 Johnson D21/424
D597,146 S * 7/2009 Verlinden D21/424
D597,147 S * 7/2009 Verlinden D21/424
D673,623 S * 1/2013 De Roeck D21/432
D680,175 S * 4/2013 Nielsen D21/435
D716,878 S * 11/2014 Wu D21/432
D841,521 S * 2/2019 Bao D12/112
D869,564 S * 12/2019 van den Berg D21/424

* cited by examiner

Primary Examiner — Cynthia M. Chin

(74) *Attorney, Agent, or Firm* — Kirschstein, Israel,
Schiffmiller & Pieroni

(57) **CLAIM**

The ornamental design for a ride-on toy, as shown and described.

DESCRIPTION

FIG. 1 is a front, top, and right side, perspective view of a ride-on toy according to my new design.

FIG. 2 is a rear, bottom, and left side, perspective view thereof.

FIG. 3 is a right side elevation view thereof.

FIG. 4 is a left side elevation view thereof.

FIG. 5 is a top plan view thereof.

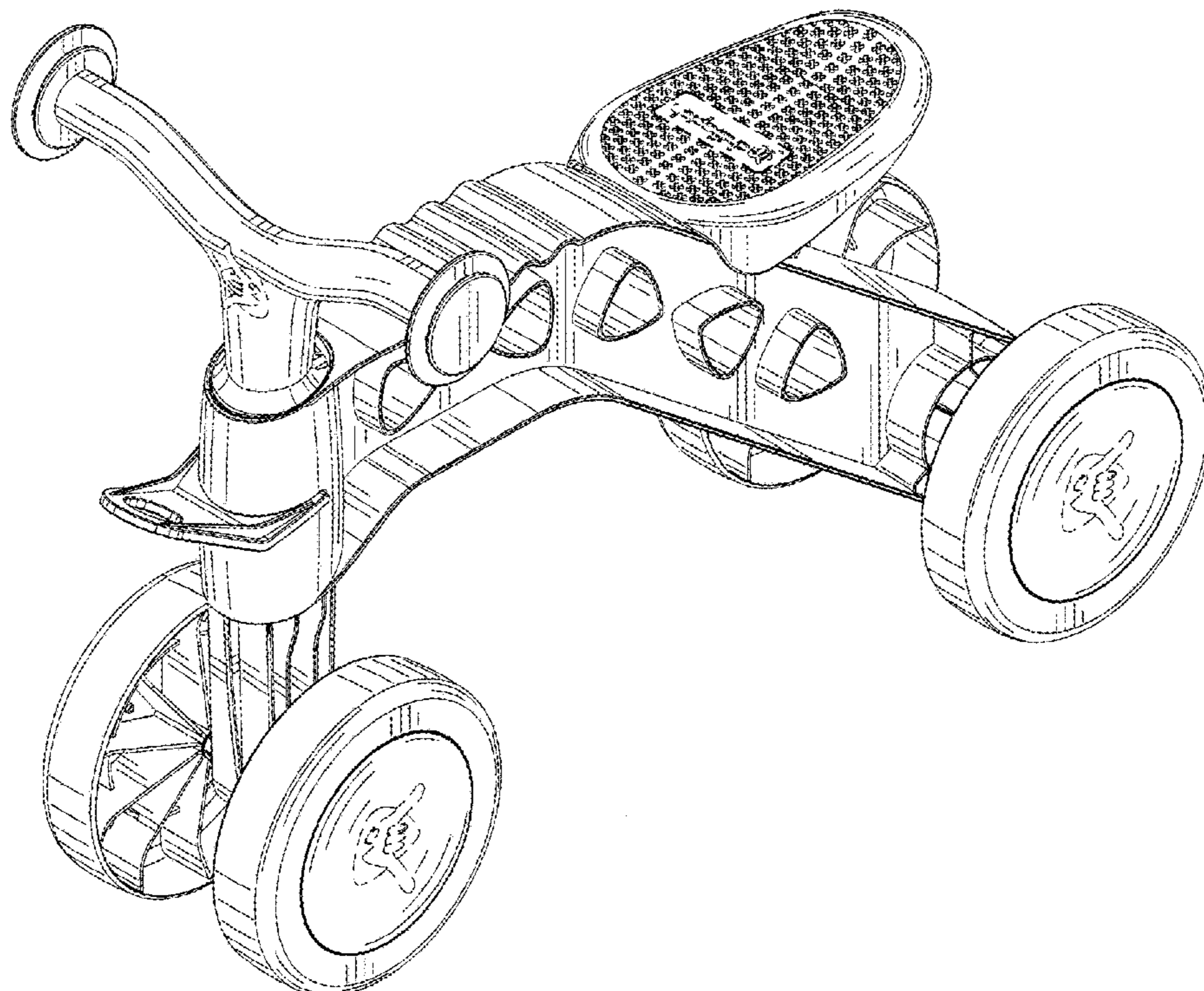
FIG. 6 is a bottom plan view thereof.

FIG. 7 is a front elevation view thereof; and,

FIG. 8 is a rear elevation view thereof.

The broken lines are for the purpose of illustrating portions of the article that form no part of the claimed design.

1 Claim, 8 Drawing Sheets



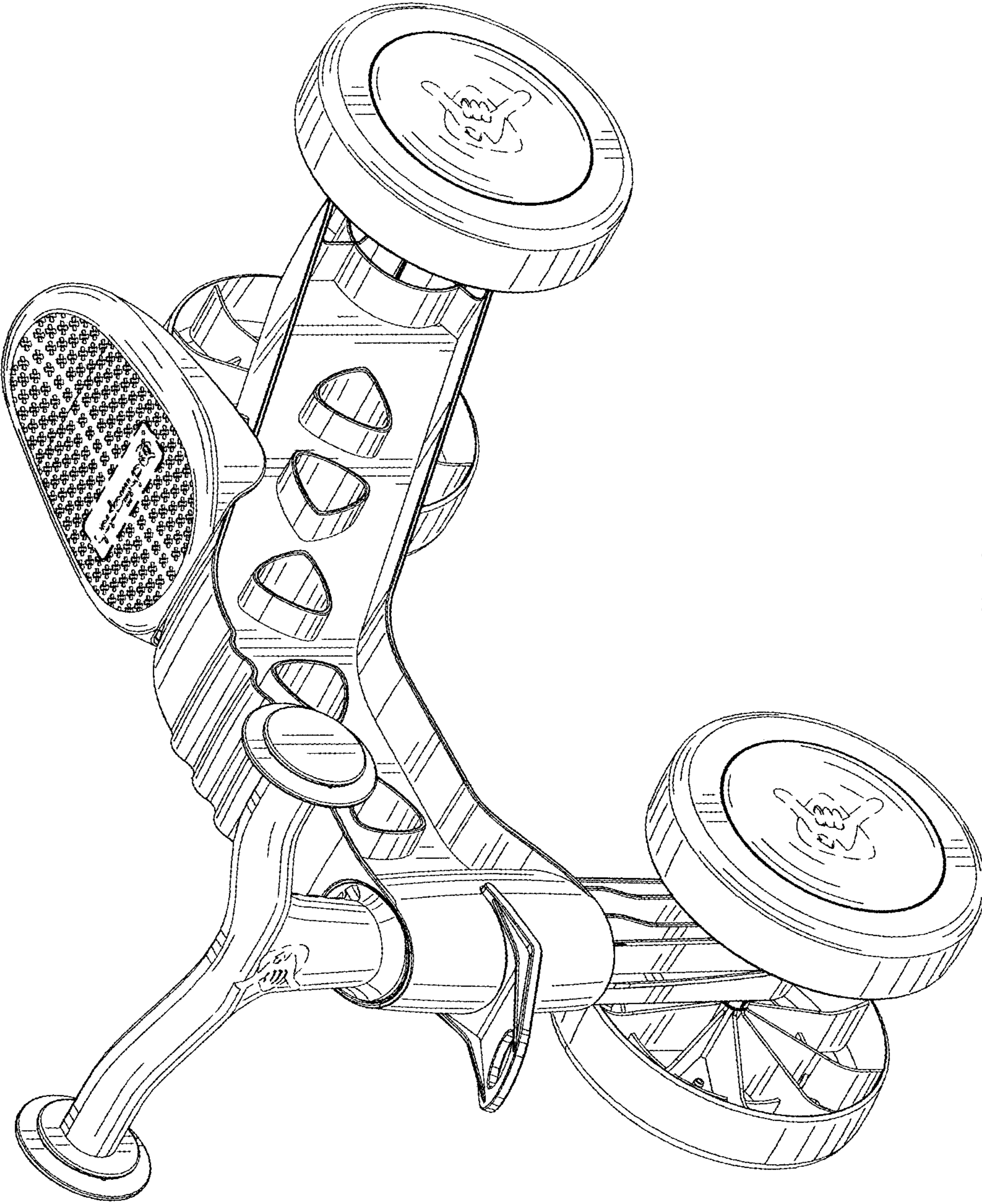


FIG. 1

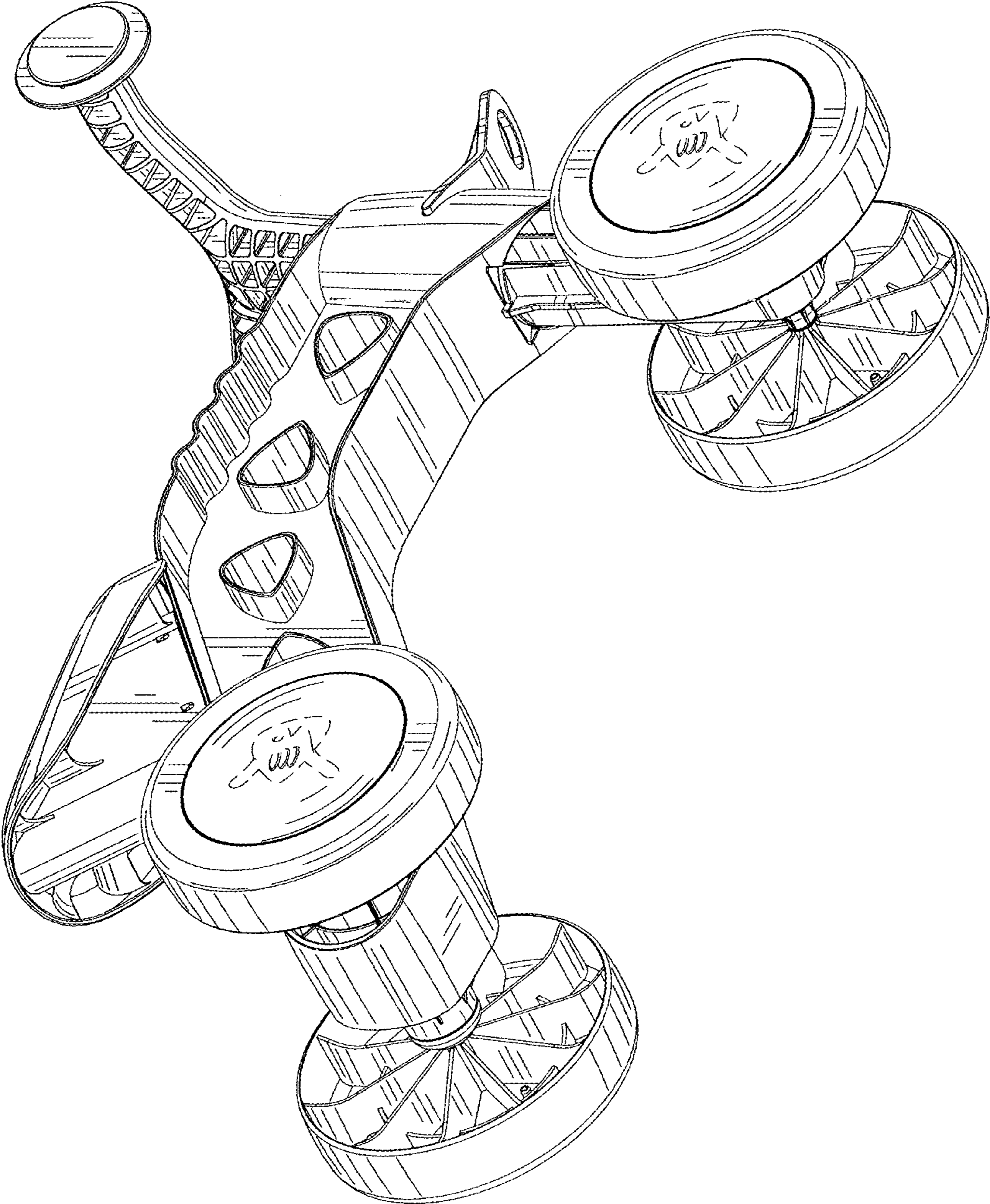


FIG. 2

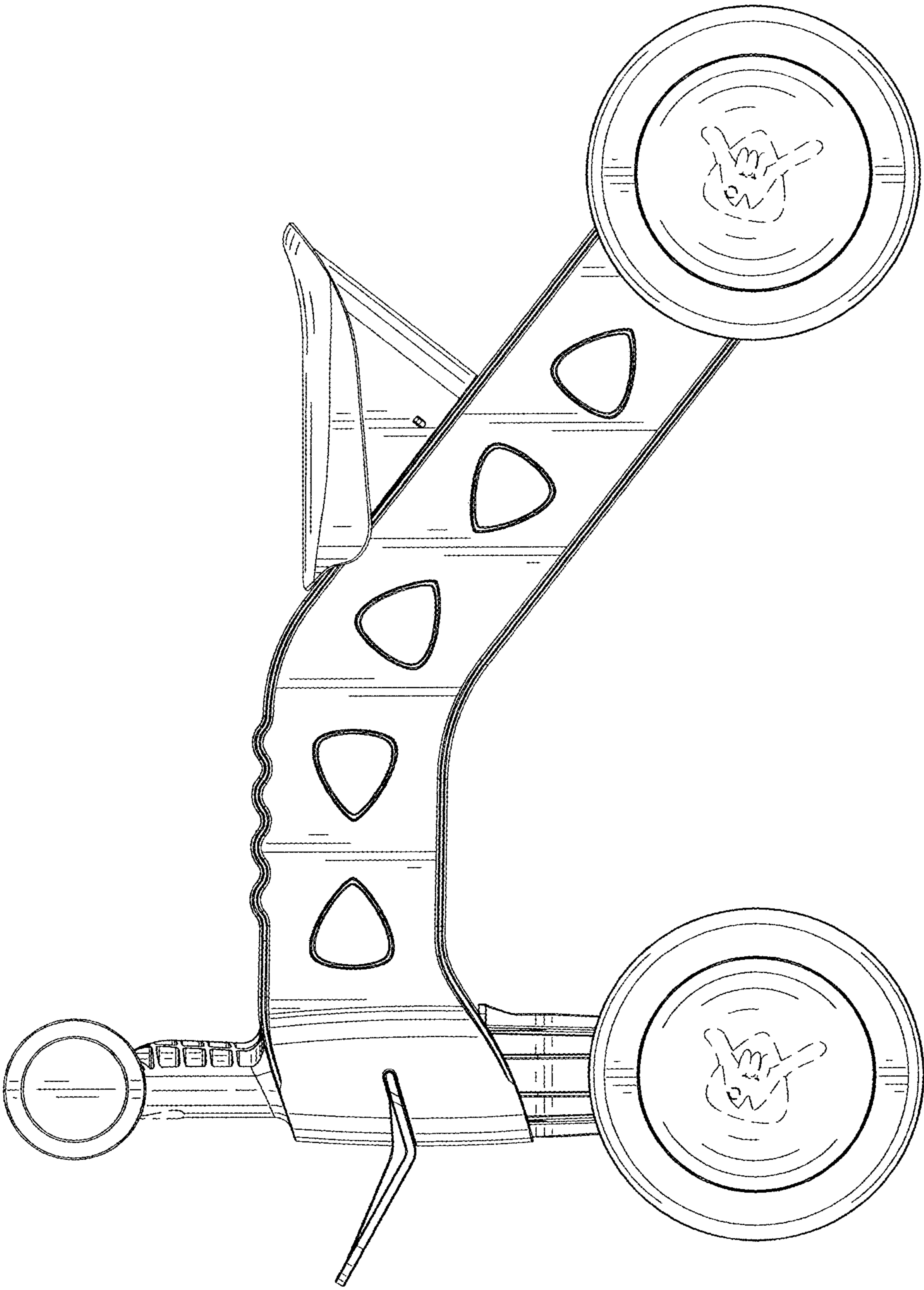


FIG. 3

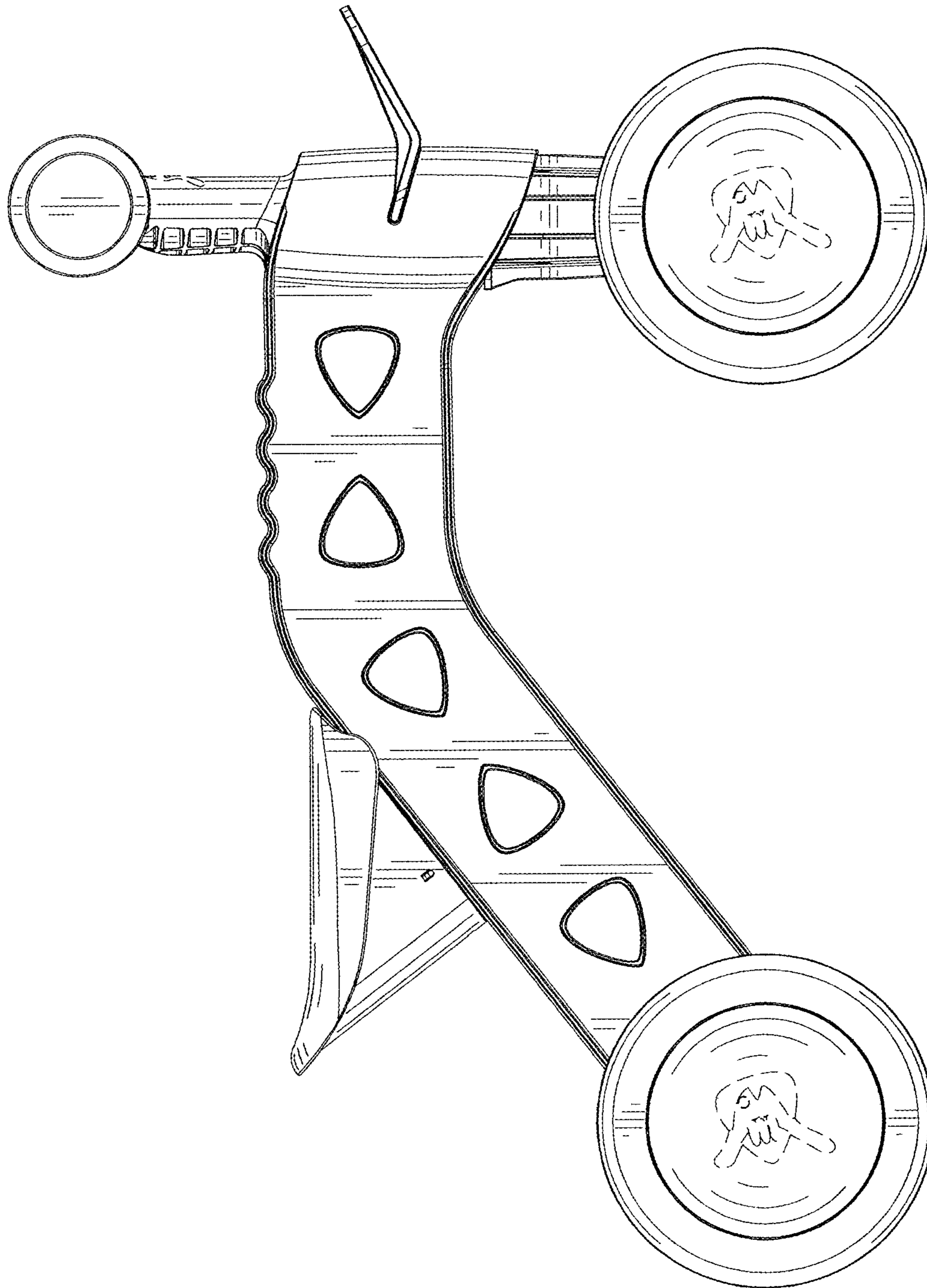


FIG. 4

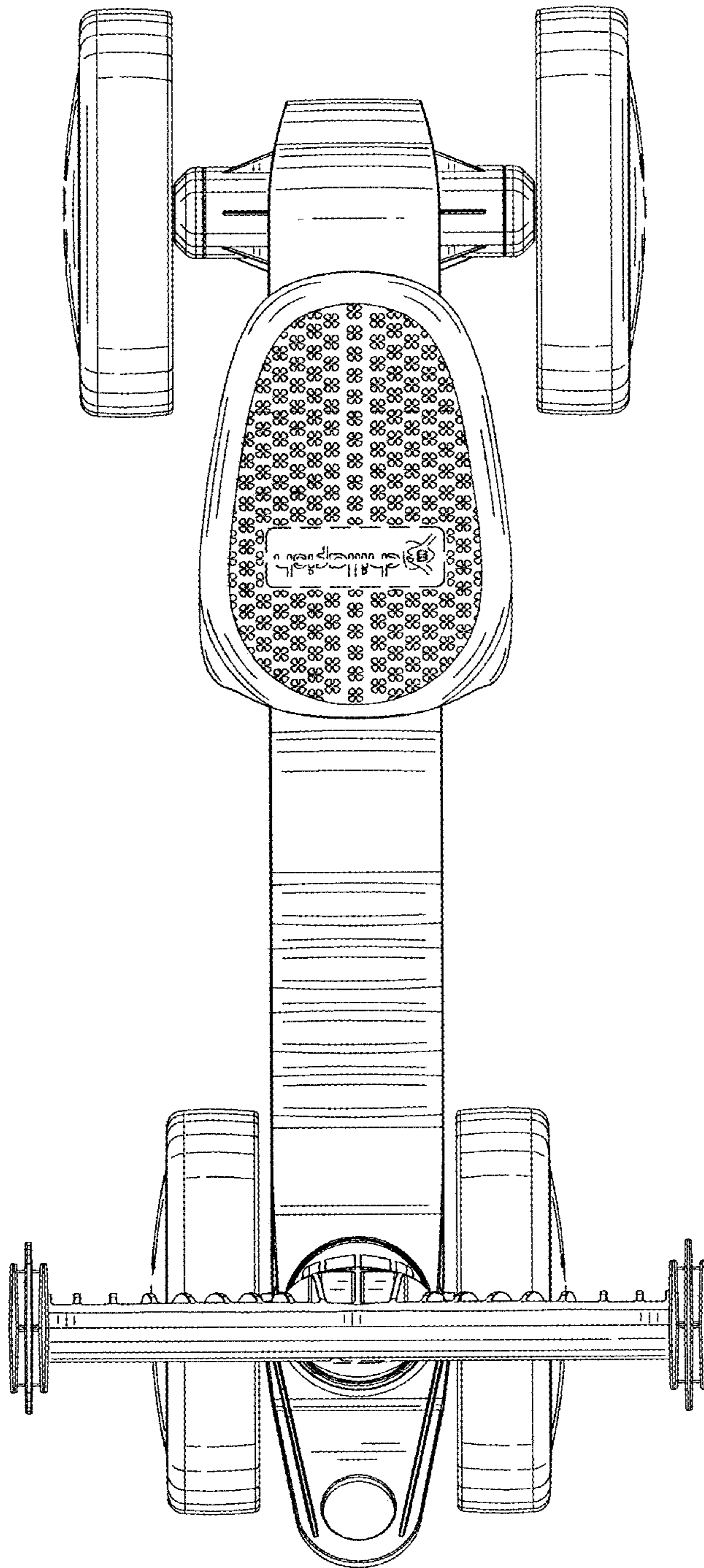


FIG. 5

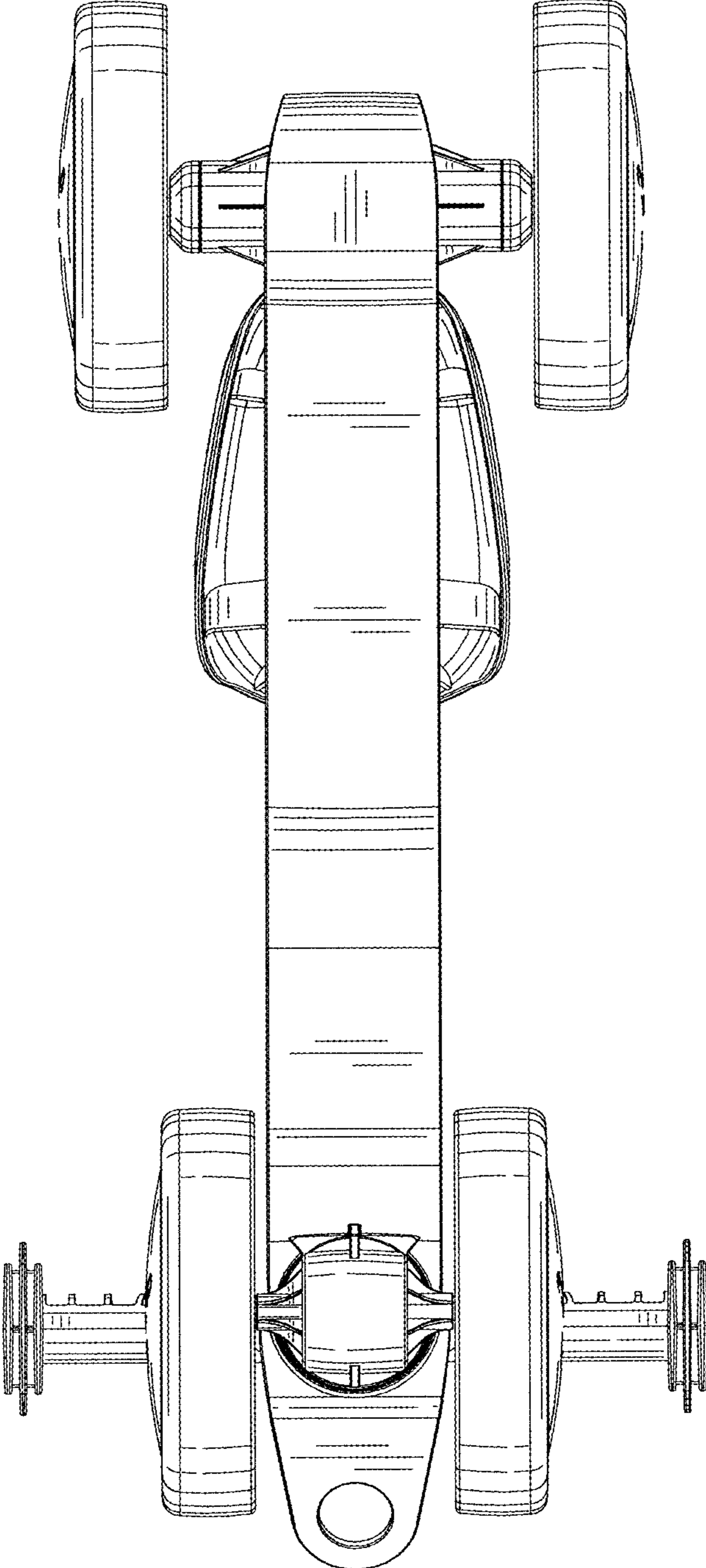


FIG. 6

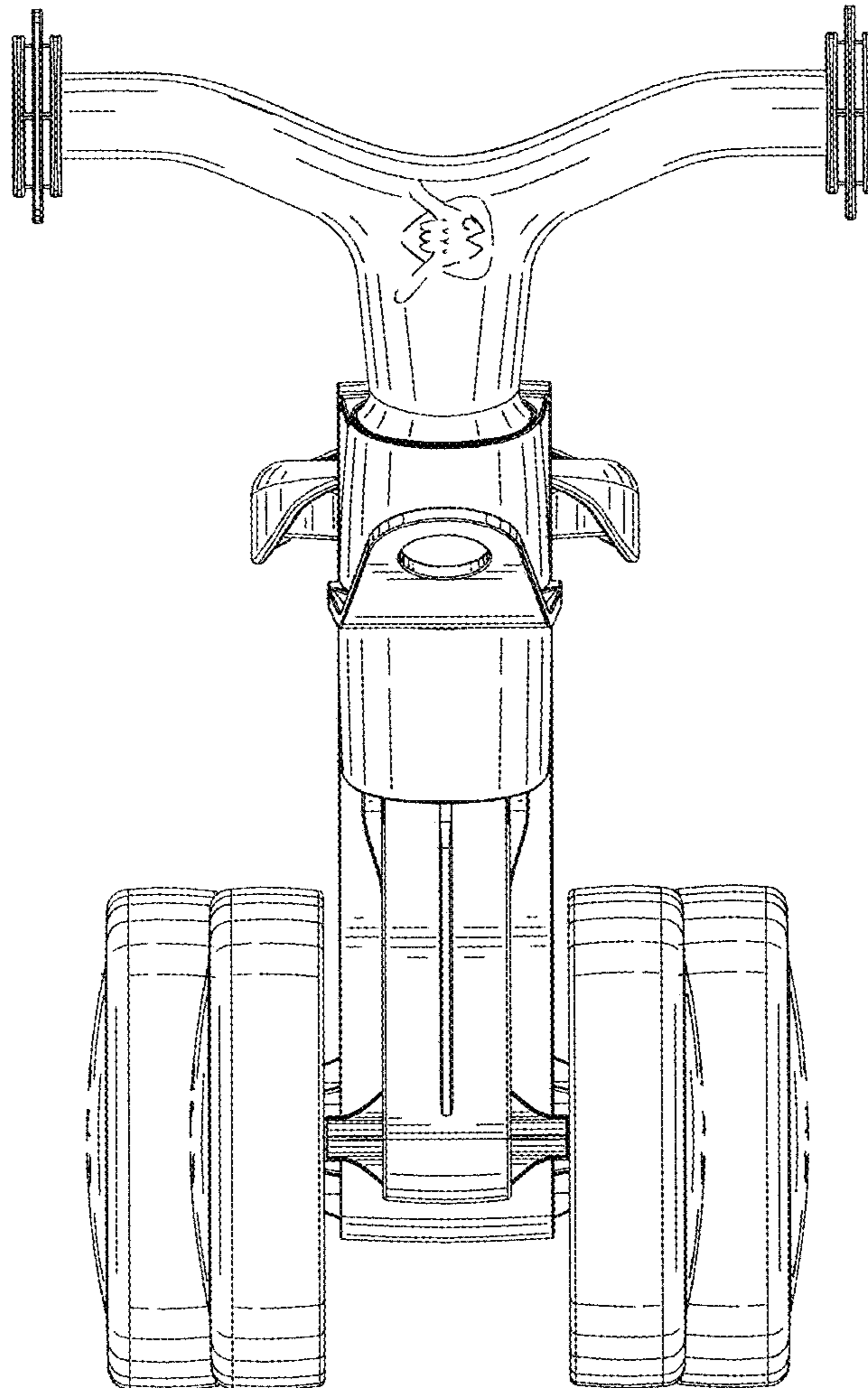


FIG. 7

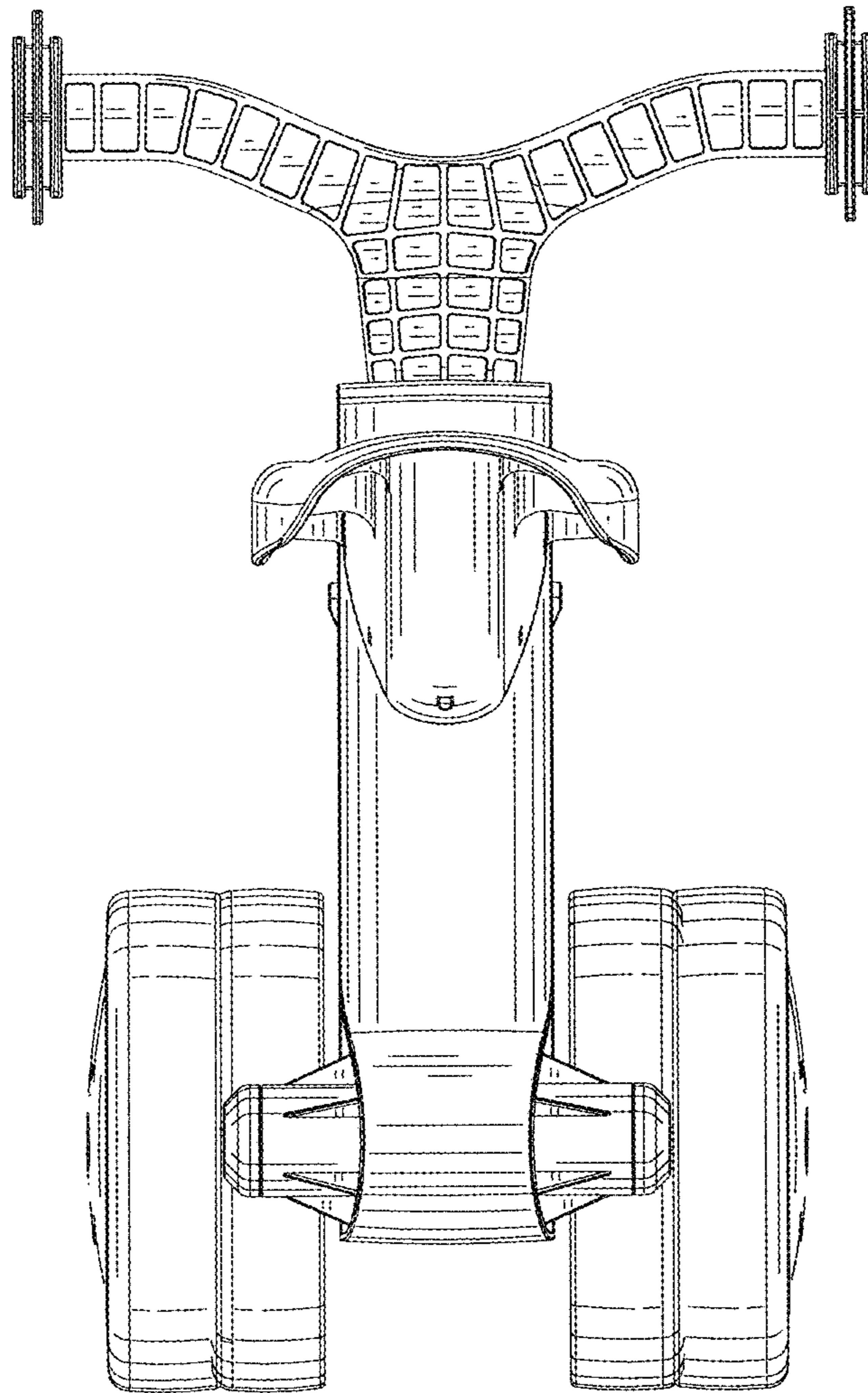


FIG. 8