



US00D888834S

(12) **United States Design Patent** (10) **Patent No.:** **US D888,834 S**  
**Lee et al.** (45) **Date of Patent:** **\*\* Jun. 30, 2020**

(54) **GAMING MACHINE**

(71) Applicant: **AGS LLC**, Las Vegas, NV (US)  
(72) Inventors: **Sigmund Lee**, Atlanta, GA (US); **Karl Frederick Zedell, Jr.**, Alpharetta, GA (US); **Rachel Calhoun Lewis**, Atlanta, GA (US); **Wei Gu**, Daly City, CA (US); **Ariel David Turgel**, San Francisco, CA (US); **Daniel Kendall Harden**, Palo Alto, CA (US)

(73) Assignee: **AGS LLC**, Las Vegas, NV (US)

(\*\*) Term: **15 Years**

(21) Appl. No.: **29/673,699**

(22) Filed: **Dec. 17, 2018**

**Related U.S. Application Data**

(60) Continuation of application No. 29/631,063, filed on Dec. 27, 2017, now Pat. No. Des. 844,063, which is (Continued)

(51) **LOC (12) Cl.** ..... **21-03**

(52) **U.S. Cl.**  
USPC ..... **D21/369**

(58) **Field of Classification Search**  
USPC ..... D21/369, 370, 371, 385, 329, 325, 394; 463/28, 13, 11, 16, 20, 25, 31, 46, 23, 30, (Continued)

(56) **References Cited**

**U.S. PATENT DOCUMENTS**

4,440,457 A 4/1984 Fogelman et al.  
D275,117 S 8/1984 Heywood  
(Continued)

**FOREIGN PATENT DOCUMENTS**

AU 338369 9/2011  
AU 201711655 4/2017  
(Continued)

**OTHER PUBLICATIONS**

Bluebird Slant Widescreen literature from www.wms.com/technologyandinnovation\_cabinets\_widescreeen.php dated May 19, 2009, showing a gaming machine cabinet that was sold and/or publicly disclosed at least as early as Dec. 13, 2008.

(Continued)

*Primary Examiner* — Ryan Harvey  
(74) *Attorney, Agent, or Firm* — Weide & Miller, Ltd.

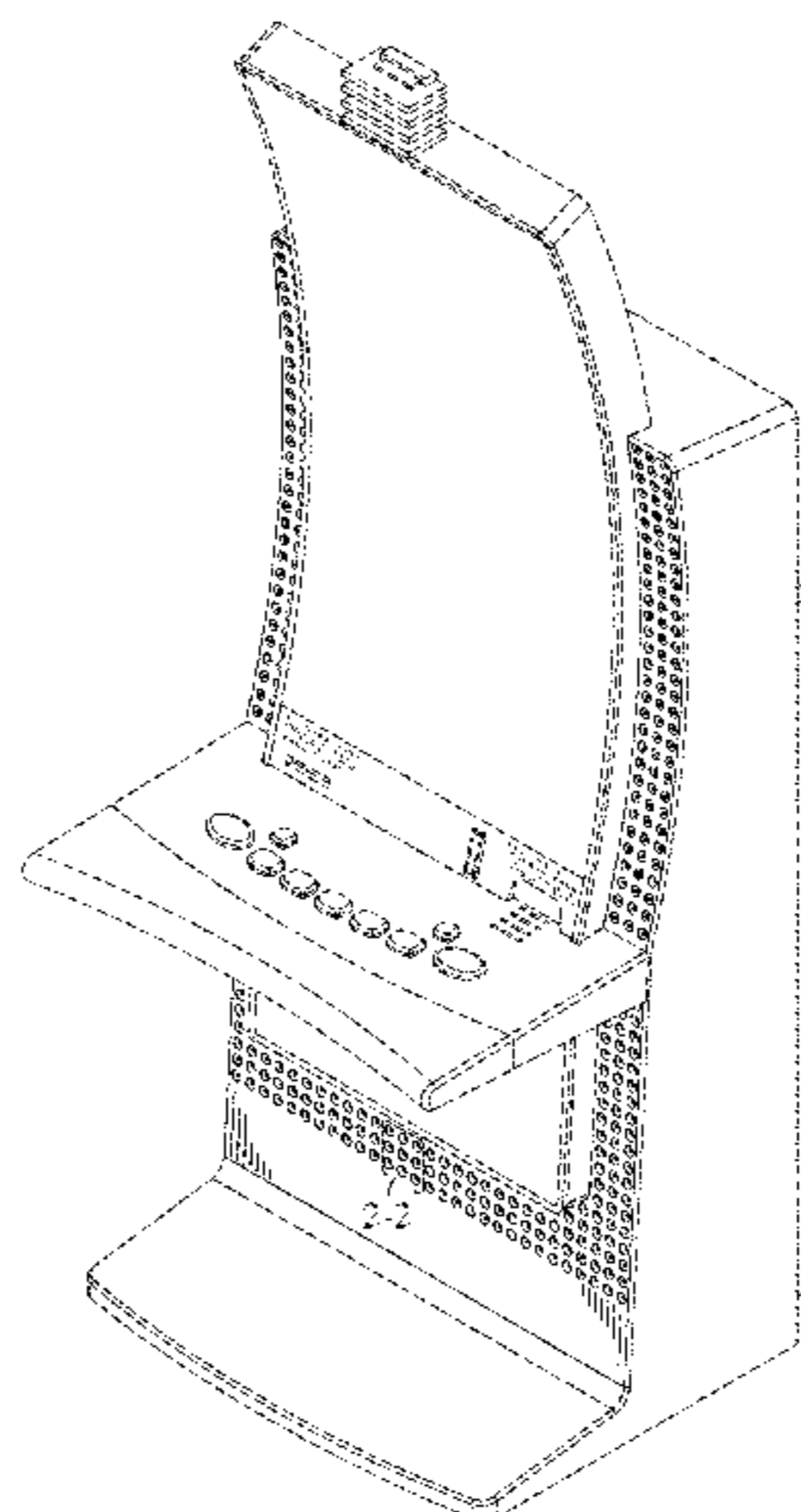
(57) **CLAIM**

The ornamental design for a gaming machine, as shown and described.

**DESCRIPTION**

FIG. 1 is a front perspective view from above of the claimed design;  
FIG. 2 is an enlarged view of the portion of FIG. 1 labeled 2-2;  
FIG. 3 is a front elevation view of the claimed design of FIG. 1;  
FIG. 4 is an enlarged view of the portion of FIG. 2 labeled 4-4;  
FIG. 5 is a rear elevation view of the claimed design of FIG. 1;  
FIG. 6 is a first side view of the claimed design of FIG. 1;  
FIG. 7 is a second side view of the claimed design of FIG. 1;  
FIG. 8 is a top plan view of the claimed design of FIG. 1; and,  
FIG. 9 is a bottom plan view of the claimed design of FIG. 1.  
The broken lines showing portions of the gaming machine depict the boundaries of the claimed design and form no part of the claimed design.

**1 Claim, 6 Drawing Sheets**



**Related U.S. Application Data**

a division of application No. 29/540,241, filed on Sep. 22, 2015, now Pat. No. Des. 820,915.

(58) **Field of Classification Search**

USPC .. 463/17, 36, 29, 42, 34, 32, 35, 19, 21, 22;  
273/292, 203, 138.2, 143 R, 142 R, 138.1;  
D19/60; D16/226; D26/14  
CPC ..... G07F 17/32; G07F 17/34; G07F 17/3211;  
G07F 17/3244; G07F 17/3267

See application file for complete search history.

(56)

**References Cited**

U.S. PATENT DOCUMENTS

4,844,567 A 7/1989 Chalabian  
4,918,579 A 4/1990 Bennett  
D307,771 S 5/1990 Cesaroni et al.  
5,057,827 A 10/1991 Nobile et al.  
5,108,099 A 4/1992 Smyth  
5,113,990 A 5/1992 Gabrius et al.  
D333,164 S 2/1993 Kraft et al.  
5,302,965 A 4/1994 Belcher et al.  
D352,330 S 11/1994 Smith  
5,381,502 A 1/1995 Veligdan  
5,521,587 A 5/1996 Sawabe et al.  
D373,809 S 9/1996 Hirato  
5,561,346 A 10/1996 Byrne  
D378,604 S 3/1997 Brettschneider  
D380,014 S 6/1997 Yang  
D381,697 S 7/1997 Brettschneider  
D381,700 S 7/1997 Brettschneider  
5,670,971 A 9/1997 Tokimoto et al.  
D386,796 S 11/1997 Komori  
D388,469 S 12/1997 Dickenson et al.  
5,695,402 A 12/1997 Stupak  
5,813,914 A 9/1998 McKay et al.  
5,818,401 A 10/1998 Wang  
5,826,882 A 10/1998 Ward  
5,836,819 A 11/1998 Ugawa  
D407,758 S 4/1999 Isetani et al.  
D410,039 S 5/1999 McClellan  
D413,635 S 9/1999 Taylor  
D421,631 S 3/2000 Tsuda  
D424,122 S 5/2000 Dickenson et al.  
6,068,101 A 5/2000 Dickenson et al.  
D428,062 S 7/2000 Hayashi  
6,095,526 A 8/2000 Cook, II  
6,135,884 A 10/2000 Hedrick et al.  
6,164,645 A 12/2000 Weiss  
D436,380 S 1/2001 Brettschneider  
6,176,584 B1 1/2001 Best et al.  
6,183,109 B1 2/2001 Nelson et al.  
6,186,645 B1 2/2001 Camarota  
6,201,703 B1 3/2001 Yamada et al.  
D439,931 S 4/2001 Yamaguchi  
D442,640 S 5/2001 Hayashi  
6,265,984 B1 7/2001 Molinaroli  
D446,252 S 8/2001 Yamaguchi  
D447,052 S 8/2001 Goserud  
6,278,419 B1 8/2001 Malkin  
6,283,608 B1 9/2001 Straat  
6,319,125 B1 11/2001 Acres  
6,332,690 B1 12/2001 Murofushi  
6,334,612 B1 1/2002 Wurz et al.  
D456,750 S 5/2002 McWilliams et al.  
D459,402 S 6/2002 Wurz et al.  
D460,915 S 7/2002 Lynch  
6,443,837 B1 9/2002 Jaffe et al.  
D464,377 S 10/2002 Wurz et al.  
D466,160 S 11/2002 Hirato et al.  
6,475,087 B1 11/2002 Cole  
D471,594 S 3/2003 Nojo  
6,577,286 B1 6/2003 Jang  
6,578,847 B1 6/2003 Hendrick et al.  
6,579,174 B1 6/2003 Lane et al.

6,592,238 B2 7/2003 Cleaver et al.  
D481,078 S 10/2003 Stephan  
6,641,484 B2 11/2003 Oles et al.  
6,682,418 B1 1/2004 Mendes et al.  
6,702,409 B2 3/2004 Hedrick et al.  
D489,417 S 5/2004 Munoz et al.  
D492,676 S 7/2004 Monson et al.  
6,776,504 B2 8/2004 Sloan et al.  
D495,754 S 9/2004 Wurz et al.  
D495,755 S 9/2004 Wurz et al.  
D496,407 S 9/2004 Gadda et al.  
D498,267 S 11/2004 Crouch  
D499,019 S 11/2004 Sagmeister et al.  
6,834,979 B1 12/2004 Cleaver et al.  
6,860,814 B2 3/2005 Cole  
6,897,624 B2 5/2005 Lys et al.  
6,899,626 B1 5/2005 Luciano et al.  
6,906,860 B2 6/2005 Starkweather  
D508,268 S 8/2005 Hanchar et al.  
D508,961 S 8/2005 Gatto et al.  
6,948,829 B2 9/2005 Verdes et al.  
D513,044 S 12/2005 Morrison  
6,997,810 B2 2/2006 Cole  
7,014,563 B2 3/2006 Stephan et al.  
D523,092 S 6/2006 Karlsson  
D525,664 S 7/2006 Cole  
7,123,811 B1 10/2006 Chen et al.  
D535,338 S 1/2007 Linard et al.  
7,178,941 B2 2/2007 Roberge et al.  
7,213,941 B2 5/2007 Sloan et al.  
7,237,925 B2 7/2007 Mayer et al.  
7,284,876 B2 10/2007 Ericson  
D554,708 S 11/2007 Gutknecht et al.  
D557,348 S 12/2007 Gutknecht et al.  
D557,349 S 12/2007 Linard et al.  
D559,917 S 1/2008 Cole  
D560,724 S 1/2008 Johnson  
D560,725 S 1/2008 Johnson  
7,331,694 B2 2/2008 Lee et al.  
D563,481 S 3/2008 Looks et al.  
D564,601 S 3/2008 Strahinic et al.  
7,339,782 B1 3/2008 Landes et al.  
D566,197 S 4/2008 Greenberg et al.  
7,355,573 B2 4/2008 Ogawa  
7,364,505 B2 4/2008 Mattice et al.  
7,367,145 B2 5/2008 Mou  
7,367,685 B2 5/2008 Moll  
7,390,257 B2 6/2008 Paulsen et al.  
D573,200 S 7/2008 Hashimoto et al.  
D573,201 S 7/2008 Hashimoto et al.  
7,397,387 B2 7/2008 Suzuki et al.  
7,423,864 B2 9/2008 Kim et al.  
7,442,125 B2 10/2008 Paulsen et al.  
7,476,154 B2 1/2009 Kogo et al.  
D586,866 S 2/2009 Hsu  
7,506,463 B2 3/2009 Holst  
7,506,997 B1 3/2009 Eriksson  
7,513,830 B2 4/2009 Hajder et al.  
D592,053 S 5/2009 Suzuki  
D592,709 S 5/2009 McComb et al.  
D599,859 S 9/2009 Lesley et al.  
D602,772 S 10/2009 Suzuki et al.  
D603,909 S 11/2009 De Viveiros Ortiz  
D604,368 S 11/2009 Lesley et al.  
D605,231 S 12/2009 Hashimoto et al.  
7,641,554 B2 1/2010 Paulsen et al.  
7,654,899 B2 2/2010 Durham et al.  
7,667,891 B2 2/2010 Cok et al.  
D613,802 S 4/2010 Meyers et al.  
D615,598 S 5/2010 McComb et al.  
D616,039 S 5/2010 Bruzzese et al.  
7,708,640 B2 5/2010 Burak et al.  
D619,177 S 7/2010 Lee  
D619,660 S 7/2010 Cole et al.  
D622,323 S 8/2010 De Viveiros Ortiz  
7,803,053 B2 9/2010 Atkinson  
D626,182 S 10/2010 Cole et al.  
D626,183 S 10/2010 Cole et al.  
D627,008 S 11/2010 Bruzzese et al.



(56)

References Cited

U.S. PATENT DOCUMENTS

7,826,006 B2	11/2010	Koganezawa	D803,324 S	11/2017	Bussey et al.	
7,828,461 B2	11/2010	Mayer et al.	D810,833 S	2/2018	Rosander et al.	
7,833,102 B2	11/2010	Beadell et al.	D812,146 S	3/2018	Castro et al.	
D632,342 S	2/2011	Wen	D812,147 S	3/2018	Castro et al.	
D633,950 S	3/2011	Terpstra et al.	D812,148 S	3/2018	Castro et al.	
D636,822 S	4/2011	Levitan et al.	D812,149 S	3/2018	Castro et al.	
7,927,218 B2	4/2011	Kopera et al.	D813,954 S	3/2018	Calhoun et al.	
7,966,485 B2	6/2011	Chen et al.	D818,048 S	5/2018	Calhoun et al.	
D646,336 S	10/2011	Kelly et al.	D819,747 S	6/2018	Castro et al.	
D649,605 S	11/2011	Terpstra et al.	D820,915 S	6/2018	Lee et al.	
8,054,243 B2	11/2011	Sokolov et al.	D822,117 S	7/2018	Costa	
8,075,385 B2	12/2011	Jackson	D826,338 S *	8/2018	Bussey .....	D21/369
8,241,124 B2	8/2012	Kelly et al.	D832,355 S	10/2018	Castro et al.	
8,272,957 B2	9/2012	Crowder, Jr. et al.	D832,356 S	10/2018	Castro et al.	
D671,425 S	11/2012	Huljak et al.	D833,534 S *	11/2018	Lee .....	D21/369
D673,619 S	1/2013	Seelig	D834,652 S *	11/2018	Lee .....	D21/369
D673,620 S	1/2013	Johnson et al.	D835,841 S *	12/2018	Xu .....	D27/167
D673,621 S	1/2013	Johnson et al.	D836,164 S	12/2018	Castro et al.	
D677,736 S	3/2013	Dorn et al.	D842,930 S	3/2019	Johnson et al.	
D678,761 S	3/2013	Cooper	D842,932 S	3/2019	Stair et al.	
8,430,756 B2	4/2013	McComb et al.	D842,933 S	3/2019	Castro et al.	
D684,216 S	6/2013	Terpstra et al.	D843,458 S	3/2019	Castro et al.	
D684,637 S	6/2013	Shelley et al.	D843,459 S	3/2019	Castro et al.	
D685,033 S	6/2013	Wudtke	D843,460 S	3/2019	Castro et al.	
D685,435 S	7/2013	Hohman et al.	D843,461 S	3/2019	Castro et al.	
8,550,913 B2	10/2013	Kelly et al.	D843,467 S	3/2019	Johnson et al.	
D696,109 S	12/2013	Wilker	D843,468 S	3/2019	Johnson et al.	
D697,558 S	1/2014	Myers et al.	D843,473 S *	3/2019	Zedell, Jr. ....	D21/369
8,651,963 B1	2/2014	Thompson	D843,474 S	3/2019	Lesley et al.	
D701,114 S	3/2014	Baumwald et al.	D843,475 S	3/2019	Lesley et al.	
D704,273 S	5/2014	Chudek	D843,476 S	3/2019	Lesley et al.	
D705,872 S	5/2014	Ortiz	D843,477 S	3/2019	Lesley et al.	
D706,741 S	6/2014	Myers	D843,478 S	3/2019	Lesley et al.	
D707,646 S	6/2014	Kim et al.	D843,479 S	3/2019	Castro et al.	
D708,676 S	7/2014	Ballman et al.	D843,480 S	3/2019	Castro et al.	
8,814,707 B2	8/2014	Slattery	D843,482 S *	3/2019	Holland .....	D21/396
D712,975 S	9/2014	Lesley et al.	D844,062 S	3/2019	Lesley et al.	
8,827,819 B2	9/2014	Thompson	D844,063 S *	3/2019	Lee .....	D21/369
D714,875 S	10/2014	Wudtke et al.	2003/0064814 A1	4/2003	Stephan et al.	
D715,364 S	10/2014	Wudtke et al.	2004/0001335 A1	1/2004	Wu	
8,851,989 B2	10/2014	Rosander et al.	2004/0053663 A1	3/2004	Paulsen et al.	
D719,615 S	12/2014	Inoue et al.	2004/0053699 A1	3/2004	Rasmussen et al.	
D719,616 S	12/2014	Inoue et al.	2004/0224776 A1	11/2004	Nagano	
D720,211 S	12/2014	Brown et al.	2004/0229698 A1	11/2004	Lind et al.	
D721,766 S	1/2015	Ferrazoli	2005/0059486 A1	3/2005	Kaminkow	
D721,767 S	1/2015	Ferrazoli	2005/0130746 A1	6/2005	Stephenson, III et al.	
D723,022 S	2/2015	Miles	2005/0215325 A1	9/2005	Nguyen et al.	
D723,626 S	3/2015	Vasquez et al.	2005/0261057 A1	11/2005	Bleich et al.	
8,974,297 B2	3/2015	Massing et al.	2006/0030412 A1	2/2006	Cole	
D727,431 S	4/2015	Themann	2006/0073900 A1	4/2006	Cole	
D730,993 S	6/2015	Castro et al.	2006/0094511 A1	5/2006	Roireau	
D732,520 S	6/2015	Themann	2006/0100013 A1	5/2006	Enzminger	
D733,088 S	6/2015	Garneau et al.	2006/0131810 A1	6/2006	Nicely	
9,064,372 B2	6/2015	Rasmussen et al.	2006/0183552 A1	8/2006	DiMichele	
D740,887 S	10/2015	Randazzo	2006/0193124 A1	8/2006	Moll	
D740,888 S	10/2015	DePalma et al.	2006/0205498 A1	9/2006	Kogo et al.	
D742,974 S	11/2015	Lesley	2007/0010318 A1	1/2007	Rigsby et al.	
D742,975 S	11/2015	Myers et al.	2007/0035965 A1	2/2007	Holst	
D745,093 S	12/2015	Weiss et al.	2007/0060387 A1	3/2007	Enzminger et al.	
D756,236 S	5/2016	DePaz et al.	2007/0149291 A1	6/2007	Mitchell	
D760,846 S	7/2016	Castro et al.	2007/0159820 A1	7/2007	Crandell et al.	
D762,613 S	8/2016	Garneau et al.	2007/0171640 A1	7/2007	Sloan et al.	
D763,361 S	8/2016	Rosander et al.	2007/0197301 A1	8/2007	Cole	
RE46,169 E	10/2016	Kelly et al.	2007/0225079 A1	9/2007	Cole	
D770,090 S	10/2016	Zahr et al.	2007/0287527 A1	12/2007	Tanabe et al.	
9,478,097 B2	10/2016	Hennessy et al.	2007/0287528 A1	12/2007	Hirato et al.	
9,504,919 B2	11/2016	Taylor et al.	2007/0287544 A1	12/2007	Hirato et al.	
D776,801 S	1/2017	Tamura et al.	2008/0020838 A1	1/2008	Slattery	
9,573,050 B2	2/2017	Thompson et al.	2008/0076553 A1	3/2008	Paulsen et al.	
9,679,435 B2	6/2017	Schrementi et al.	2008/0113794 A1 *	5/2008	Cole .....	G07F 17/32 463/31
9,711,001 B2	7/2017	Zedell, Jr. et al.	2008/0119288 A1	5/2008	Rasmussen	
9,745,107 B2	8/2017	Zahr et al.	2008/0186415 A1	8/2008	Boud et al.	
D798,389 S	9/2017	Weiss et al.	2008/0194313 A1	8/2008	Walker	
D801,437 S	10/2017	Hohman	2008/0227522 A1	9/2008	Toyoda	
D803,323 S	11/2017	Bussey et al.	2008/0248852 A1	10/2008	Rasmussen	
			2008/0268949 A1	10/2008	Dell	
			2008/0311987 A1	12/2008	Hirato	
			2009/0011839 A1	1/2009	Cole	



(56)

References Cited

U.S. PATENT DOCUMENTS

2009/0036208 A1 2/2009 Pennington et al.  
 2009/0045723 A1 2/2009 Ishikawa  
 2009/0179597 A1 7/2009 Salmon  
 2009/0247261 A1 10/2009 Koami  
 2009/0275389 A1 11/2009 Englman et al.  
 2010/0016084 A1 1/2010 Bleich et al.  
 2010/0020546 A1 1/2010 Kukita  
 2010/0120518 A1 5/2010 Borissov et al.  
 2010/0120541 A1 5/2010 Lesley  
 2010/0137060 A1 6/2010 Cole  
 2011/0118034 A1 5/2011 Jaffe  
 2011/0136573 A1 6/2011 McComb et al.  
 2011/0195775 A1 8/2011 Wells  
 2011/0319152 A1 12/2011 Ross et al.  
 2012/0178523 A1 7/2012 Greenberg  
 2013/0084948 A1\* 4/2013 Watkins ..... G07F 17/3276  
 463/23  
 2014/0087887 A1 3/2014 Chudek  
 2014/0132891 A1 5/2014 Tohyama  
 2014/0206432 A1\* 7/2014 Radek ..... G07F 17/3223  
 463/25  
 2014/0250409 A1 9/2014 Shah et al.  
 2014/0256409 A1 9/2014 Wood et al.  
 2014/0268876 A1 9/2014 Lee et al.  
 2014/0323212 A1 10/2014 Thompson et al.  
 2015/0087403 A1 3/2015 Castro et al.  
 2015/0141113 A1 5/2015 Melnick et al.  
 2015/0269810 A1 9/2015 Wolf  
 2015/0336005 A1 11/2015 Melnick et al.  
 2017/0178443 A1 6/2017 Calhoun et al.  
 2017/0178444 A1 6/2017 Lee et al.  
 2018/0075689 A1 3/2018 Castro et al.  
 2018/0078854 A1 3/2018 Achmueller et al.  
 2018/0082523 A1\* 3/2018 Palermo ..... G07F 17/3216  
 2018/0165913 A1\* 6/2018 Ito ..... G07F 17/32  
 2019/0012874 A1 1/2019 Goldstein et al.  
 2019/0073879 A1 3/2019 Marks  
 2019/0096161 A1 3/2019 Barbour et al.  
 2019/0096166 A1 3/2019 Shimizu et al.  
 2019/0096169 A1\* 3/2019 Tovar ..... G07F 17/3216  
 2019/0096170 A1\* 3/2019 Lewis ..... G07F 17/3216  
 2019/0096173 A1\* 3/2019 Brandau ..... G07F 17/3223  
 2019/0096174 A1\* 3/2019 Ambrecht ..... G07F 17/3223  
 2019/0102974 A1\* 4/2019 Bussey ..... G07F 17/3211  
 2019/0102983 A1 4/2019 Gallagher et al.  
 2019/0102984 A1\* 4/2019 Gallagher ..... G07F 17/3216

FOREIGN PATENT DOCUMENTS

AU 201713995 7/2017  
 AU 201713998 7/2017  
 CL 201000683 12/2011  
 CL 201302246 2/2014  
 CL 201702159 10/2017  
 CN 1449298 10/2003  
 CN 302535459 8/2013  
 CN 302781022 4/2014  
 CN 303133978 3/2015  
 CN 105308656 2/2016  
 CN 303617588 3/2016  
 CN 303932486 11/2016  
 CN 304030396 2/2017  
 CN 304030398 2/2017  
 CN 304081281 3/2017  
 CN 304104111 4/2017  
 CN 304201004 7/2017  
 CN 304284046 9/2017  
 CN 304284113 9/2017  
 CN 304287919 9/2017  
 DE 49812561-0001 7/1999  
 DE 49812561-0002 7/1999  
 DE 49812561-0003 7/1999  
 DE 49812561-0004 7/1999  
 DE 40108464-0001 5/2002

DE 40202624-0001 5/2002  
 DE 102014016643 5/2016  
 EM 000227822-0005 9/2004  
 EM 000776687-0003 8/2007  
 EM 000857347-0009 1/2008  
 EM 000972724-0001 7/2008  
 EM 000975727-0001 7/2008  
 EM 001598418-0004 8/2009  
 EM 001688540-0002 3/2010  
 EM 001724873-0005 6/2010  
 EM 002081661-0005 7/2012  
 JP D1135500 1/2002  
 JP D1137636 2/2002  
 JP D1144223 4/2002  
 JP 3443415 9/2003  
 JP 2006-37425 2/2006  
 JP 1264361 5/2009  
 JP 1792318 10/2011  
 JP 2013-78625 5/2013  
 JP 5294616 9/2013  
 JP 5317478 10/2013  
 JP D1502479 6/2014  
 JP D1502928 6/2014  
 JP D1512277 10/2014  
 JP D1525593 5/2015  
 JP D1529194 6/2015  
 JP D1536549 10/2015  
 JP D1536665 10/2015  
 JP 6018136 11/2016  
 JP 2017-06582 1/2017  
 JP D1589479 10/2017  
 JP D1589480 10/2017  
 KR 300710844 9/2013  
 KR 300755913 8/2014  
 KR 20150105999 9/2015  
 KR 101677267 11/2016  
 TW D169011 7/2015  
 TW D177195 7/2016  
 WO D093245-0001 11/2016

OTHER PUBLICATIONS

Spec International, Inc., GEN-311 gaming machine cabinet, publicly disclosed at least as early as Dec. 13, 2008.  
 International Search Report and Written Opinion for PCT/US16/66904 dated Apr. 25, 2017, 12 pages.  
 Icon by AGS, <http://www.playags.com/portfolio/icon/>, 3 pages, Feb. 23, 2016.  
 Orion by AGS, <http://www.playags.com/portfolio/orion/>, 3 pages, Sep. 15, 2016.  
 Non-Published U.S. Appl. No. 12/947,695, filed Nov. 16, 2010, titled Edge Lighted Gaming Panels for Electronic Gaming Device.  
 Genesis DV1 Cabinets by Cadillac Jack circa 2010, 4 pages.  
 Infinity Super Skybox by Incredible Technologies, <https://gaming.itsgames.com/cabinets/infinity-super-skybox>, Aug. 11, 2016.  
 Super Sky Wheel Slot Makes World Premiere at Borgata—Borgata Blog, [http://blog\\_theborgata.com/2016/06/16/super-sky-wheel-slot-makes-world-premiere-at-borgata/](http://blog_theborgata.com/2016/06/16/super-sky-wheel-slot-makes-world-premiere-at-borgata/), Jun. 16, 2016.  
 Aristocrat Brings the Game Forward With Advanced New Helix Slant Cabinet, Market Wired, <http://www.marketwired.com/press-release/aristocrat-brings-the-game-forward-with-advanced-new-helix-slant-cabinet-asx-all-1904223.htm>, Apr. 29, 2014.  
 Helix+ by Aristocrat, 2016.  
 Helix Upright by Aristocrat, 2014.  
 b.POD by Bluberi, <https://www.bluberi.com/bluberi-bpod/>, Accessed Feb. 27, 2018.  
 Bluberi Set to Reveal Dramatic New Product Line-Up at G2E 2017, Press Release, Soloazar, <http://www.soloazar.com/international/noticia/19870-Bluberi-Set-to-Reveal-Dramatic-New-Product-Line-Up-at-G2E-2017>, Sep. 15, 2017.  
 AGS LLC; Exhibit 22 to Response to Office Action filed Jul. 27, 2018 with the U.S. Patent and Trademark Office in U.S. Appl. No. 87/620,830; 24 pages.

\* cited by examiner

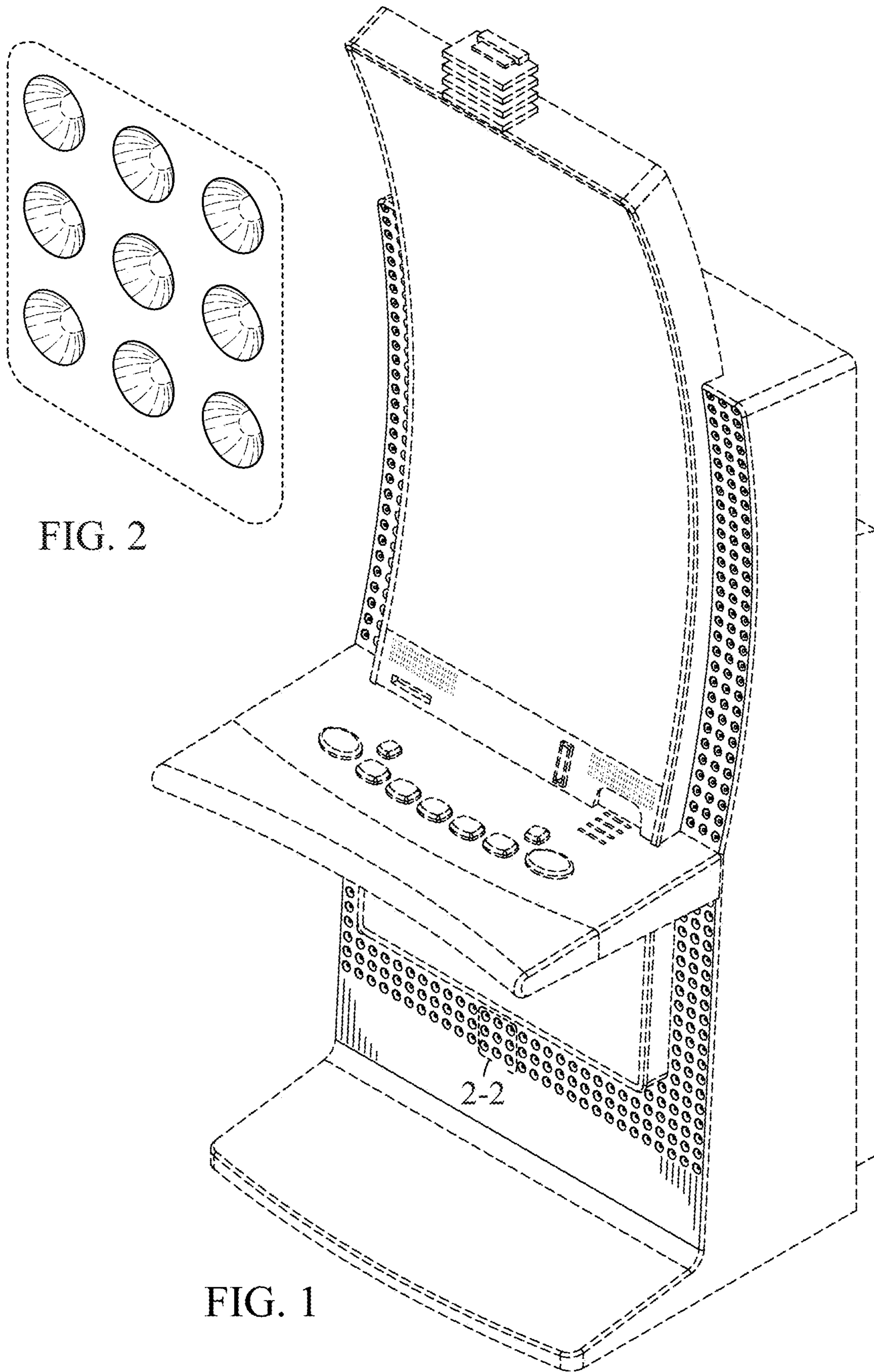


FIG. 2

FIG. 1



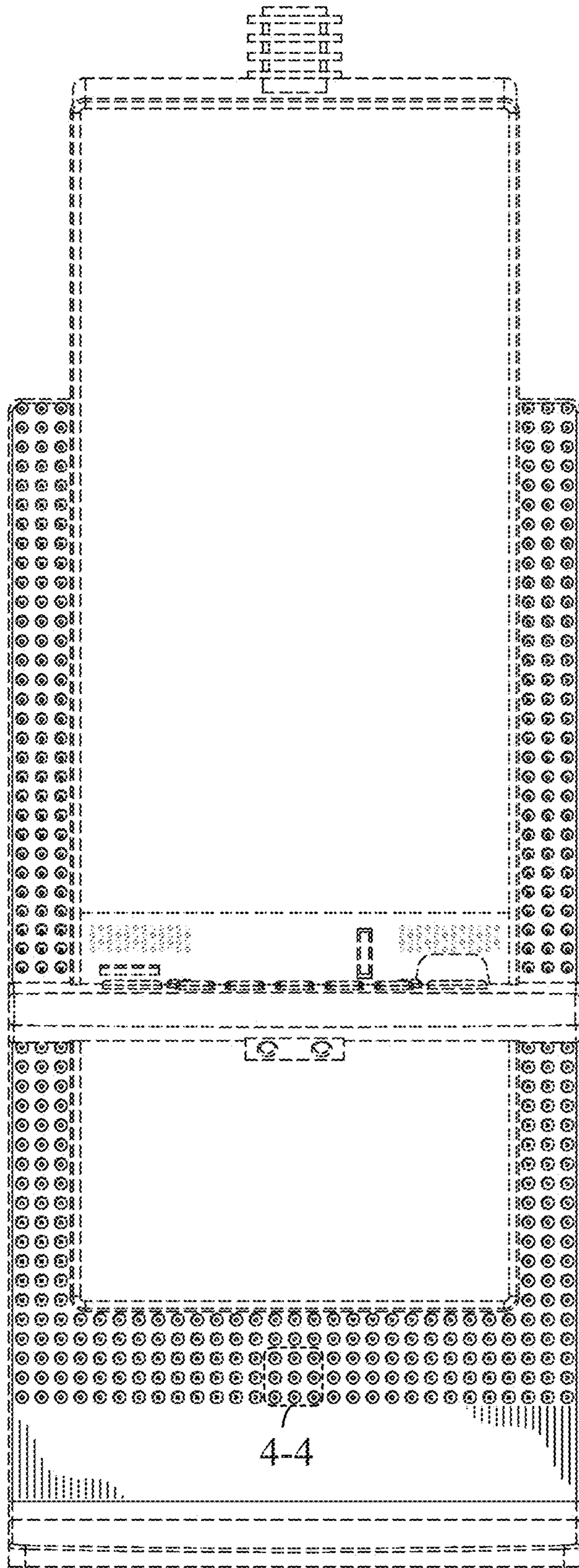


FIG. 3

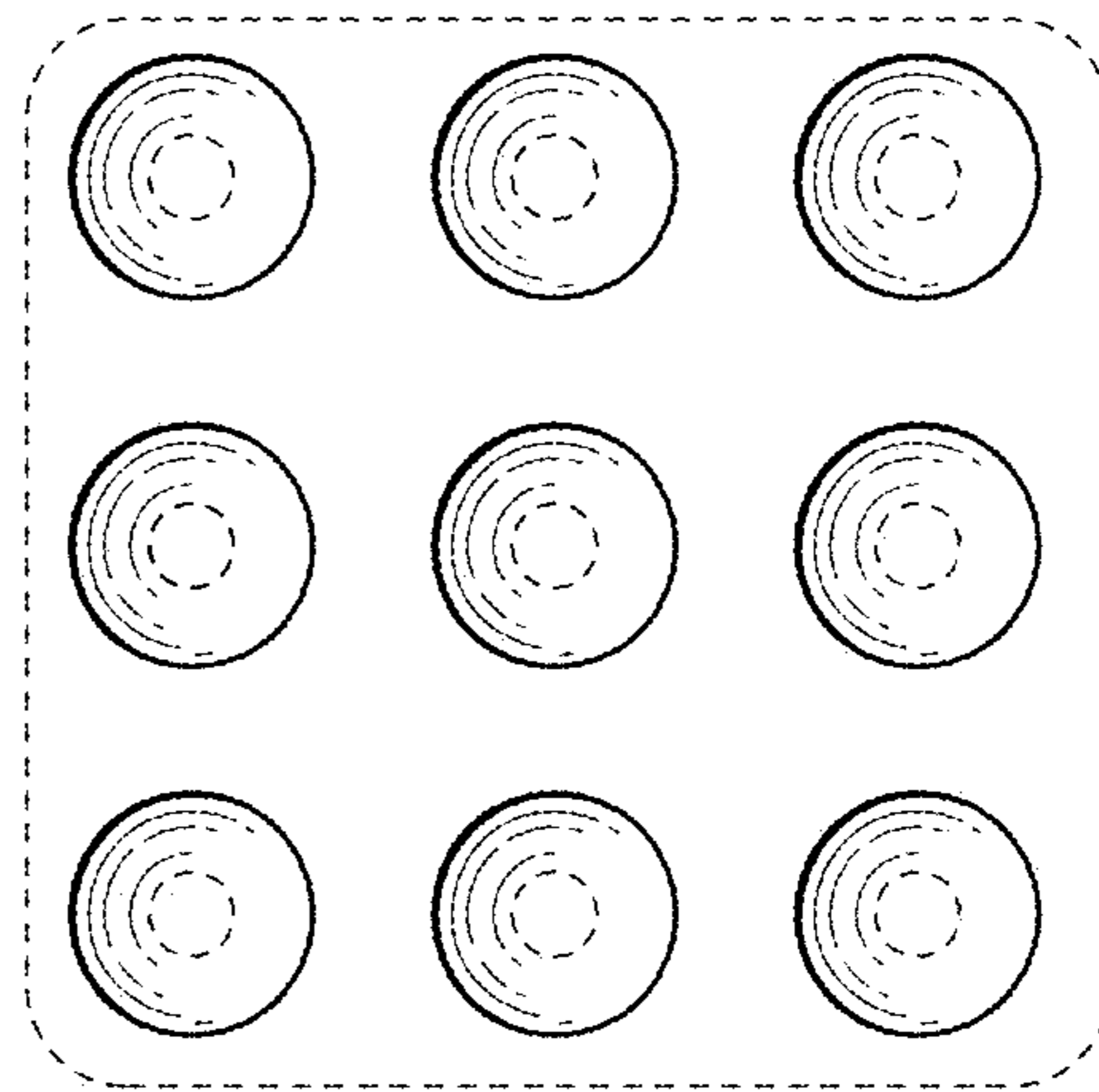


FIG. 4

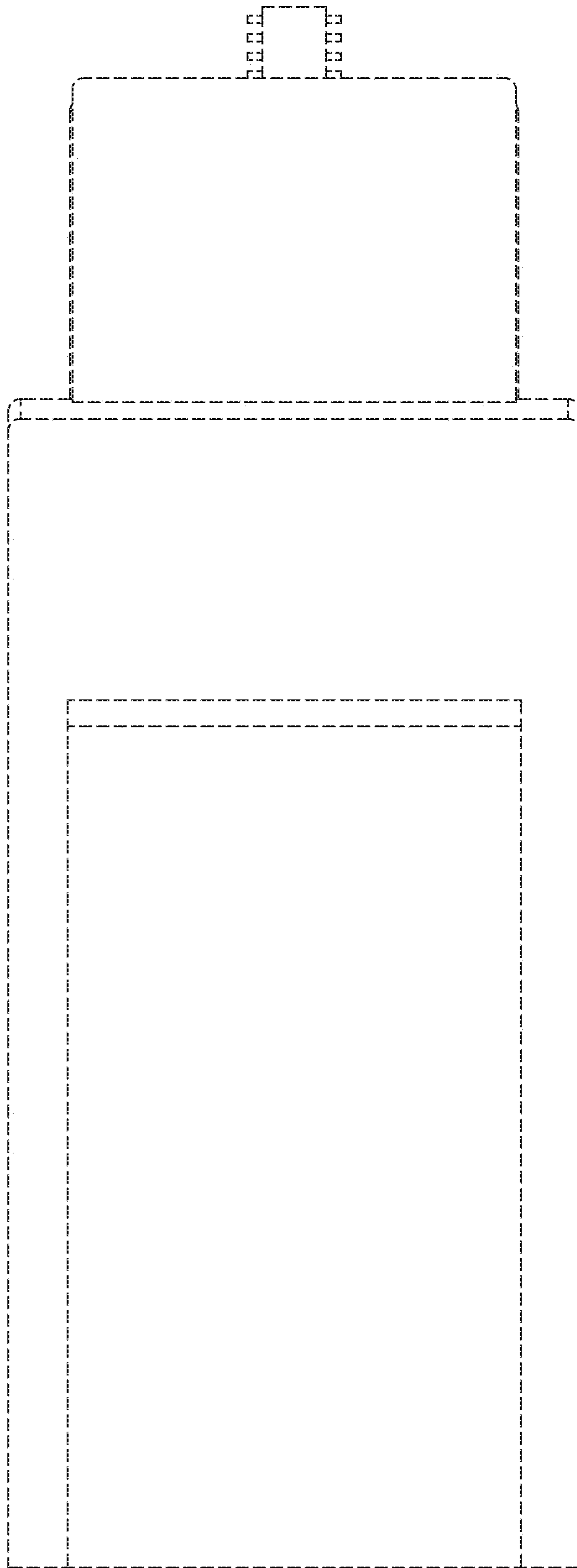


FIG. 5

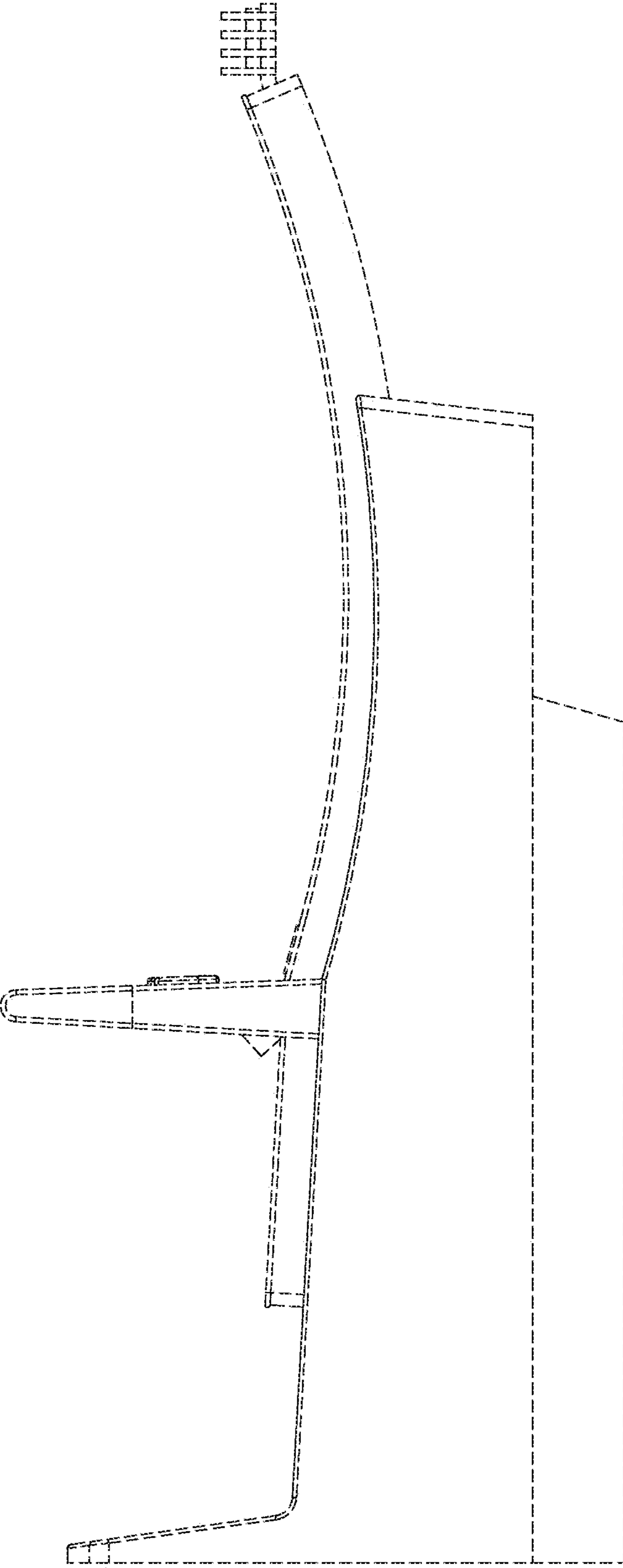


FIG. 6



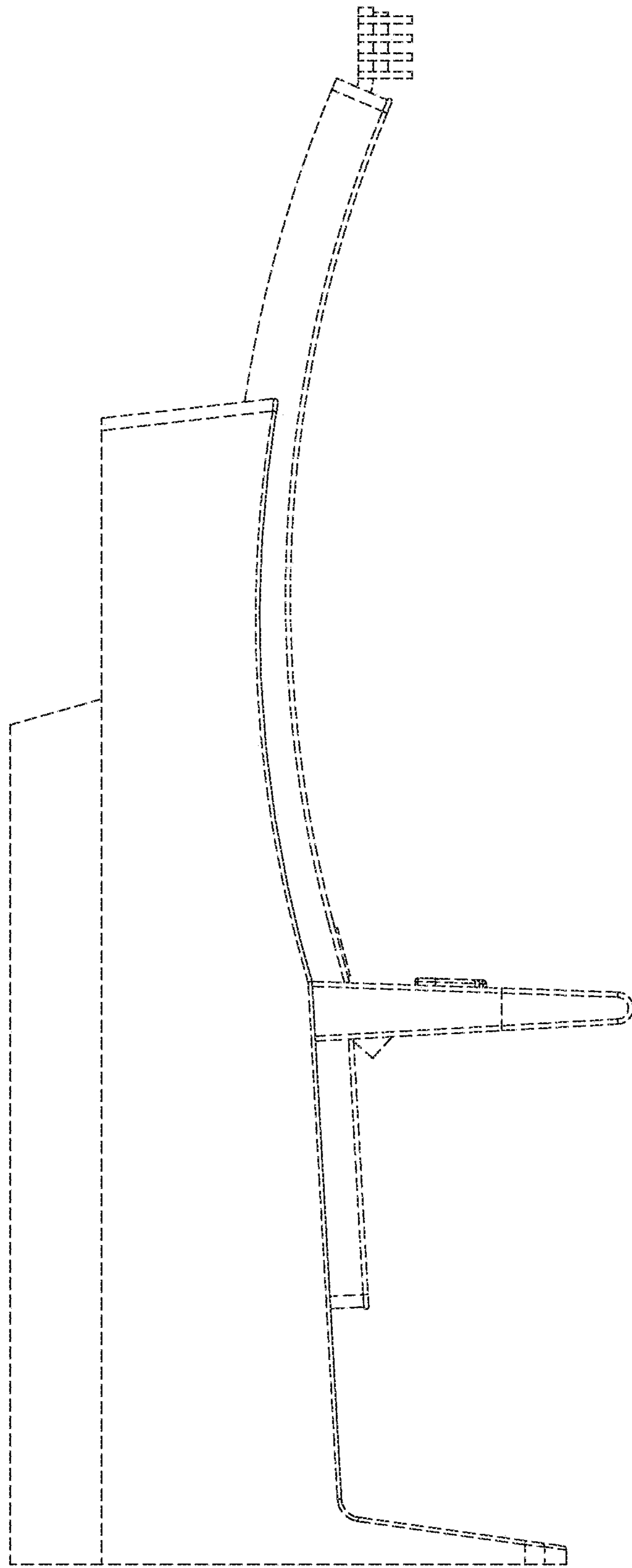


FIG. 7

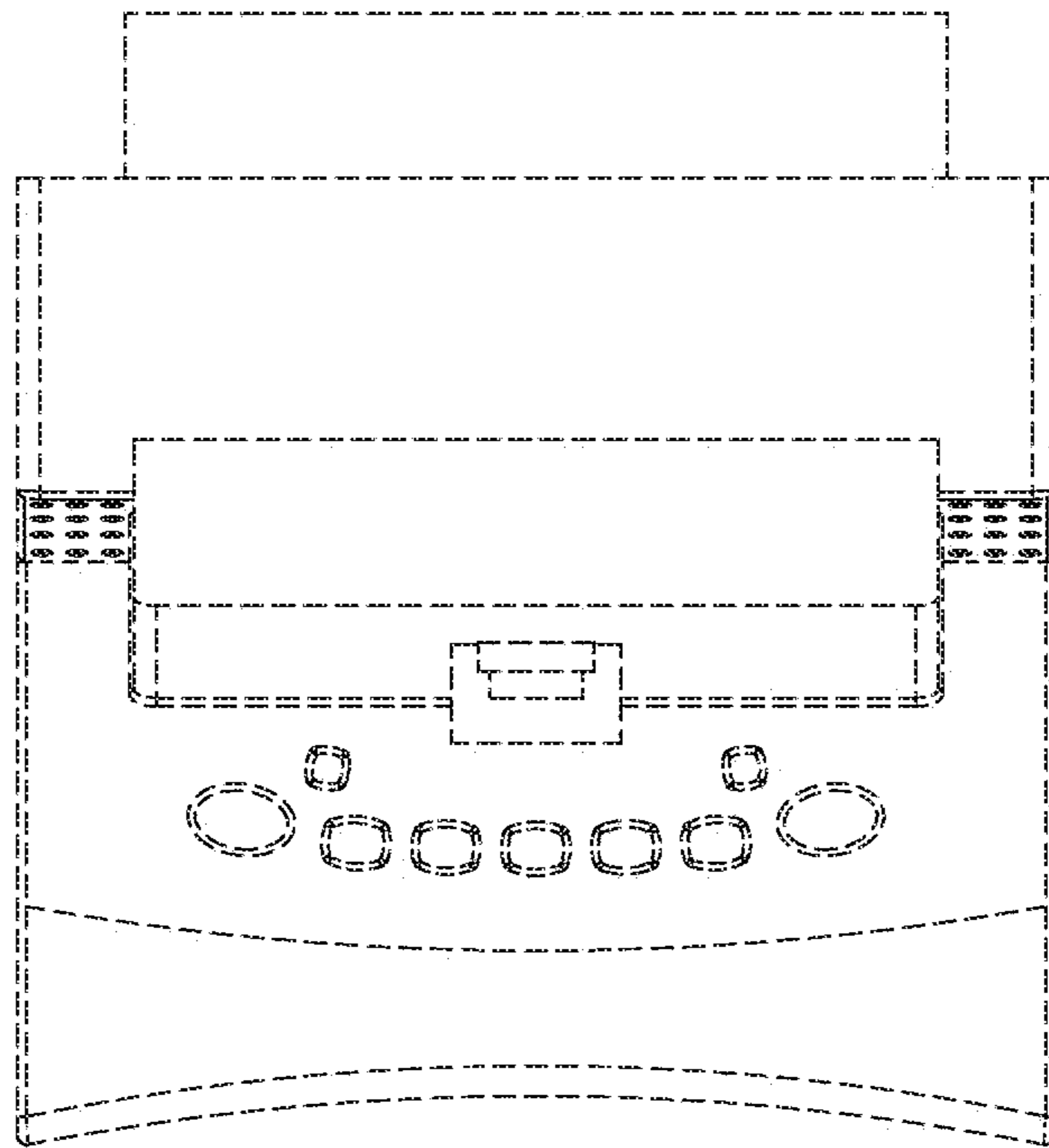


FIG. 8

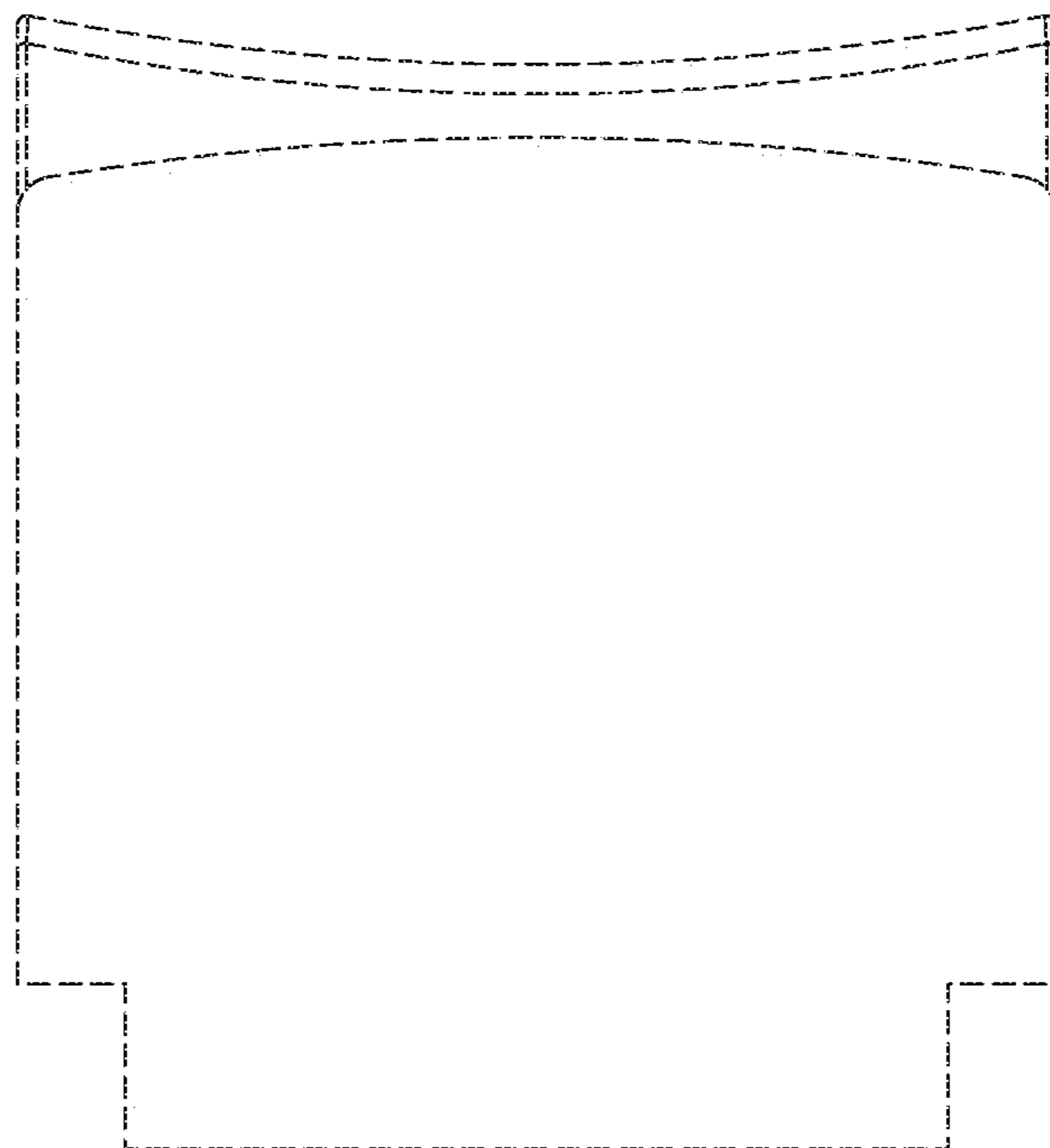


FIG. 9