



US00D888832S

(12) **United States Design Patent**
Tong

(10) **Patent No.:** **US D888,832 S**

(45) **Date of Patent:** **** Jun. 30, 2020**

(54) **CONTROLLER**

(71) Applicant: **RAZER (ASIA-PACIFIC) PTE. LTD.**,
Singapore (SG)

(72) Inventor: **Ien Yu Tong**, Singapore (SG)

(73) Assignee: **RAZER (ASIA-PACIFIC) PTE. LTD.**,
Singapore (SG)

(**) Term: **15 Years**

(21) Appl. No.: **29/716,058**

(22) Filed: **Dec. 6, 2019**

Related U.S. Application Data

(62) Division of application No. 29/655,724, filed on Jul. 6, 2018, now Pat. No. Des. 881,281.

(51) **LOC (12) Cl.** **21-01**

(52) **U.S. Cl.**
USPC **D21/333**

(58) **Field of Classification Search**

USPC D14/174, 218, 387-389, 400-418,
D14/426-431, 443, 449-450, 454, 471,
D14/511; D21/333, 363, 368
CPC A63F 13/42; A63F 13/98; A63F 13/24;
G06F 3/0338

See application file for complete search history.

(56) **References Cited**

U.S. PATENT DOCUMENTS

5,670,988 A	9/1997	Tickle	
D581,422 S	11/2008	Hayes et al.	
D685,434 S	7/2013	Ali et al.	
D694,830 S	12/2013	Crowley et al.	
8,641,525 B2	2/2014	Burgess et al.	
D708,615 S	7/2014	Delrue et al.	
D709,882 S	7/2014	Morris et al.	
D754,128 S	4/2016	Bellinghausen et al.	
D772,988 S *	11/2016	Kujawski D14/401

D774,596 S *	12/2016	Kujawski D21/333
D794,129 S *	8/2017	Kujawski D14/401
D794,717 S *	8/2017	Kujawski D14/401
D798,954 S *	10/2017	Chatterjee D21/333
D801,893 S	11/2017	Simoens et al.	
D831,648 S *	10/2018	Tong D14/401
10,232,254 B2 *	3/2019	Gassoway A63F 13/245
10,286,306 B2	5/2019	Okamura	
10,286,307 B2 *	5/2019	Kujawski A63F 13/24
10,427,035 B2 *	10/2019	Schmitz A63F 13/98

(Continued)

OTHER PUBLICATIONS

“Astro C40 TR Review: a PS4 Pro Controller To Rival the Xbox One Elite” Apr. 17, 2019, Verge.com, site visited Apr. 17, 2019: <https://www.theverge.com/2019/4/17/18311885/astro-c40-tr-review-sony-ps4-pro-elite-controller-features-price> (Year: 2019).*

(Continued)

Primary Examiner — Jack Reickel

Assistant Examiner — Melvin L Davis

(74) *Attorney, Agent, or Firm* — Polsinelli PC

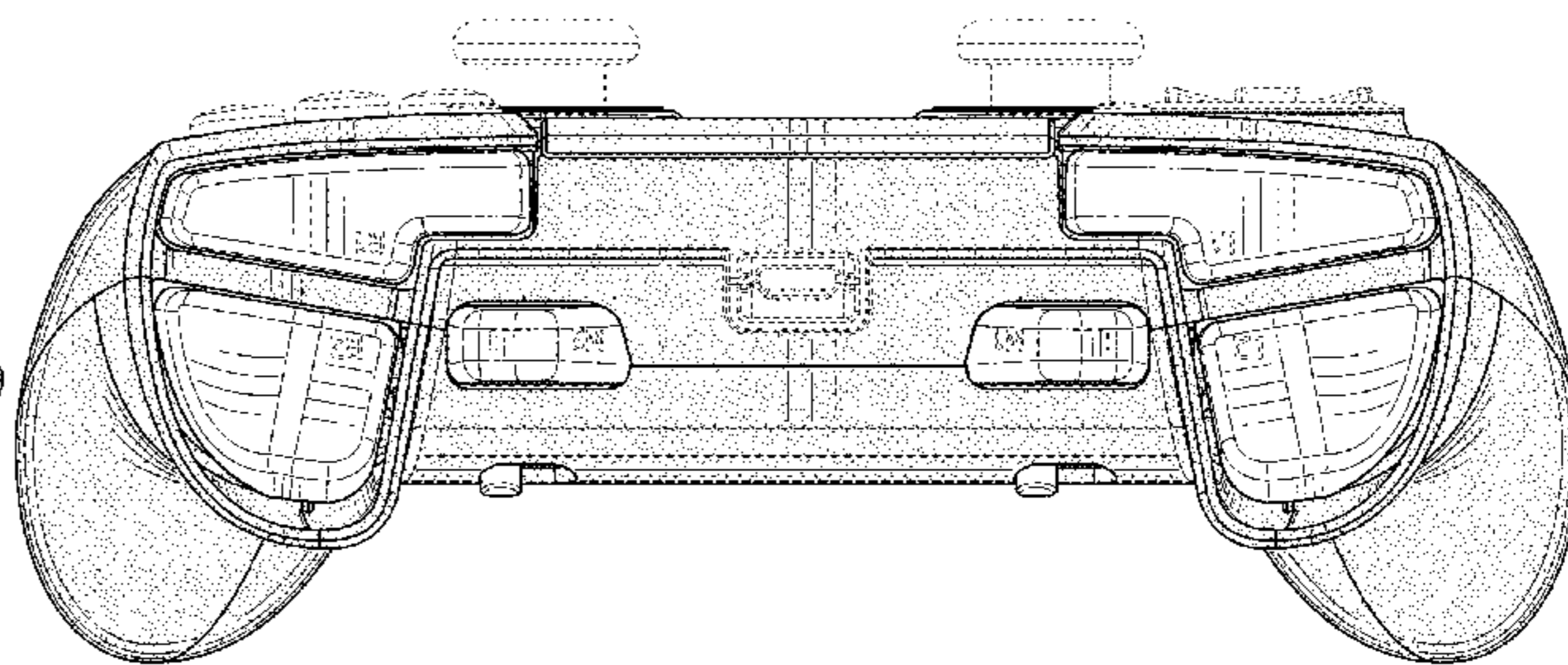
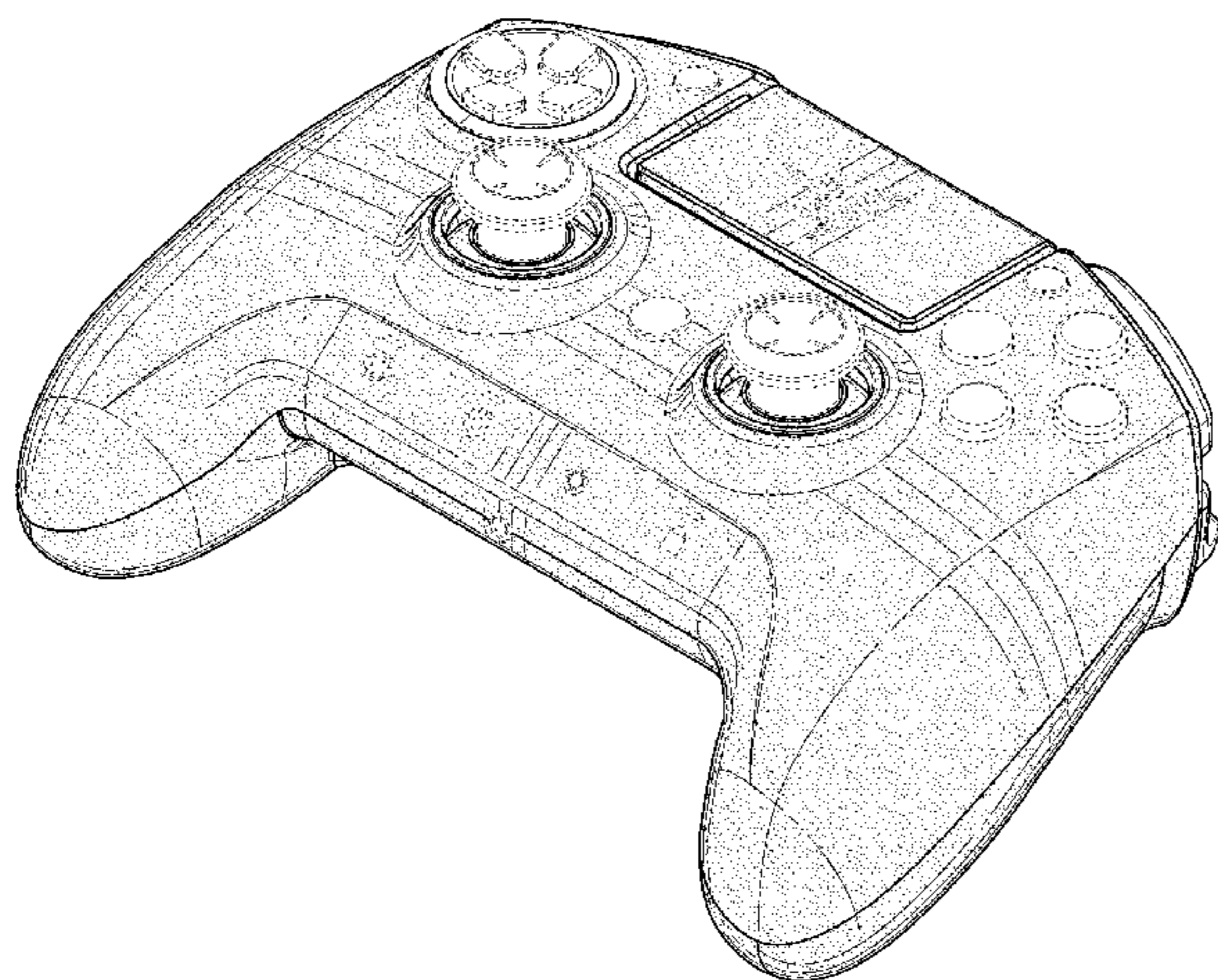
(57) **CLAIM**

I claim the ornamental design for a controller, as shown and described.

DESCRIPTION

FIG. 1 is a perspective view of a controller; FIG. 2 is a front elevational view thereof; FIG. 3 is a rear elevational view thereof; FIG. 4 is a right side elevational view thereof; FIG. 5 is a left side elevational view thereof; FIG. 6 is a top plan view thereof; and, FIG. 7 is a bottom plan view thereof. The broken lines in the drawings depict portions of the controller that form no part of the claimed design. Stippling is used to indicate a contrasting appearance throughout the design.

1 Claim, 7 Drawing Sheets



(56)

References Cited

U.S. PATENT DOCUMENTS

10,507,385 B2 * 12/2019 Lyden A63F 13/24
D872,185 S * 1/2020 Chatterjee D21/333
2004/0224768 A1 * 11/2004 Hussaini A63F 13/24
463/37
2006/0040740 A1 * 2/2006 DiDato A63F 13/06
463/37
2008/0261695 A1 10/2008 Coe
2013/0130800 A1 5/2013 Sirilux et al.

OTHER PUBLICATIONS

Razer Raiju Ultimate: Published Aug. 20, 2018 [online], site visited Feb. 17, 2020. Available from Internet URL: <https://youtu.be/NyxW81QtouU> (Year: 2018).

Razer Raiju Tournament Edition Quartz: Published Nov. 30, 2015 [online], site visited Feb. 17, 2020. Available from Internet URL: https://www.amazon.co.uk/dp/B00KXYV9O4/ref=cm_sw_r_tw_dp_U_x_dyZsEbYc9MFJF (Year: 2015).

Hori's New PS4 Controller: Published Jan. 18, 2018 [online], site visited Feb. 17, 2020. Available from Internet URL: <https://www.shacknews.com/article/102380/horis-new-ps4-controller-should-feel-familiar-to-xbox-fans> (Year: 2018).

NeoGaf: Published Feb. 3, 2013 [online], site visited Feb. 17, 2020. Available from Internet URL: <https://www.neogaf.com/threads/ps4-controller-touchpad-share-button-dualshock.511201/page-24> (Year: 2013).

* cited by examiner

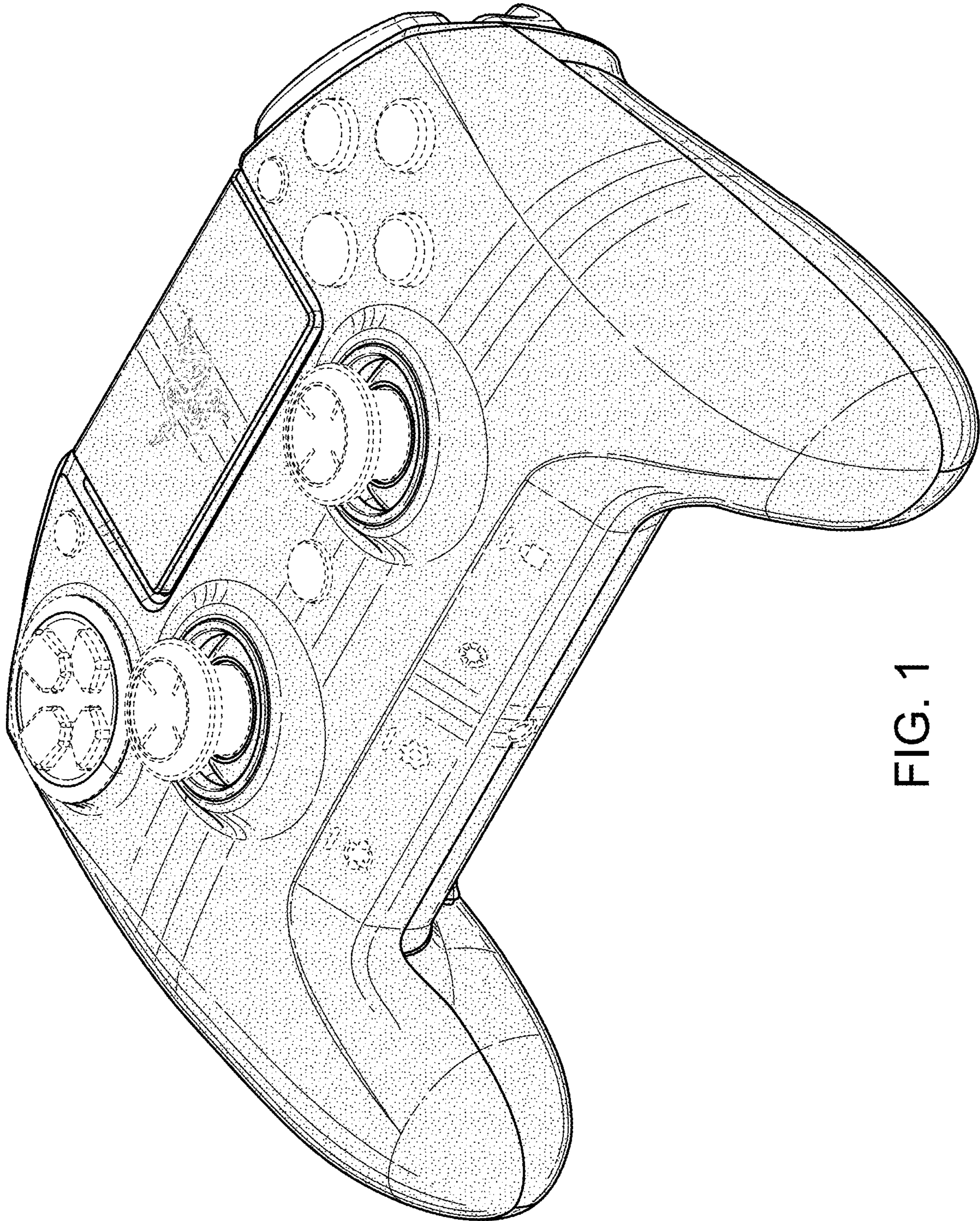


FIG. 1

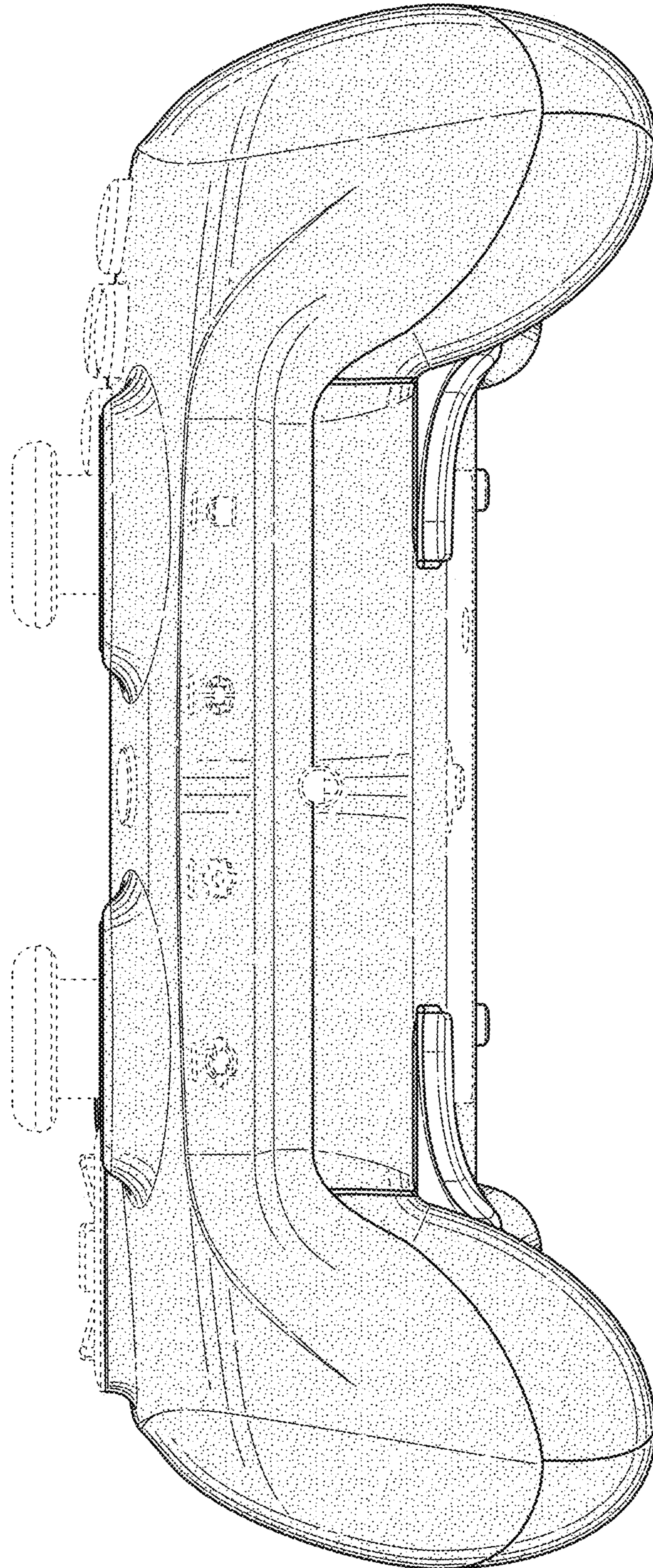


FIG. 2

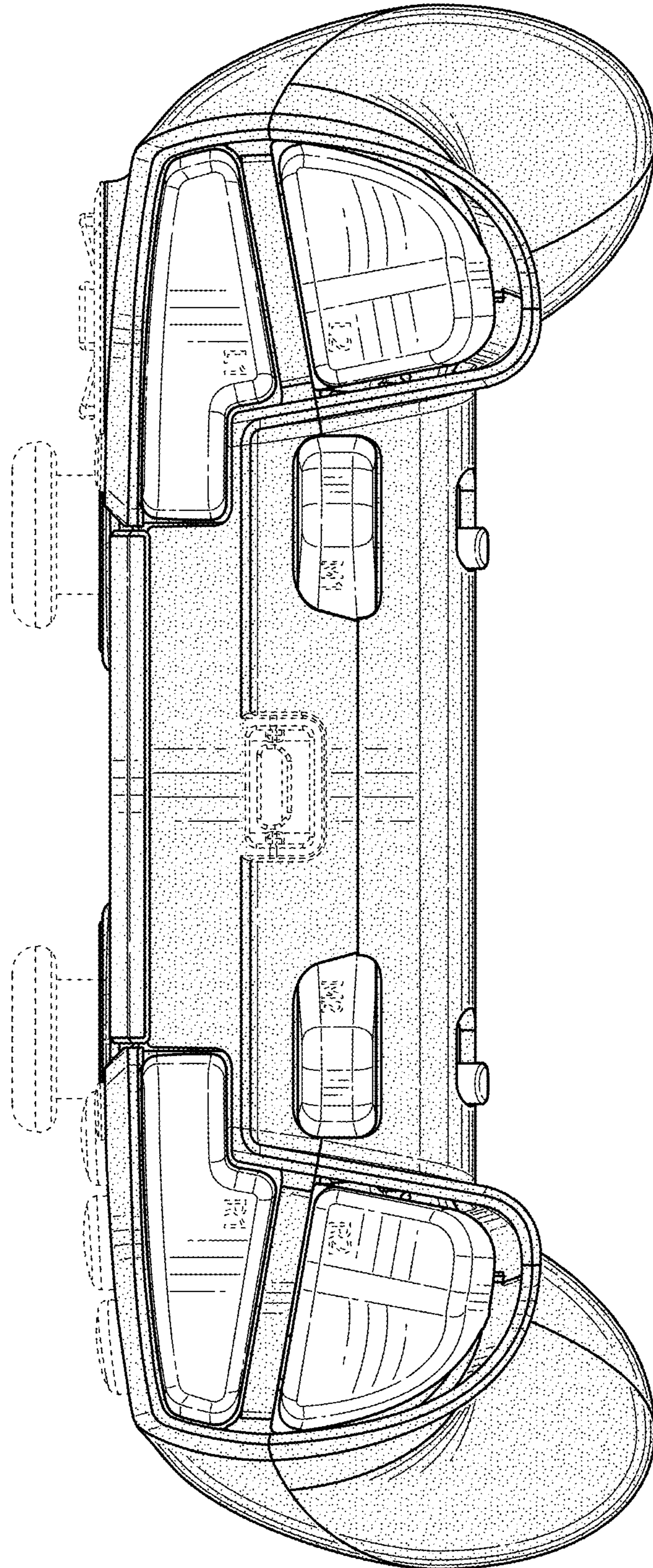


FIG. 3

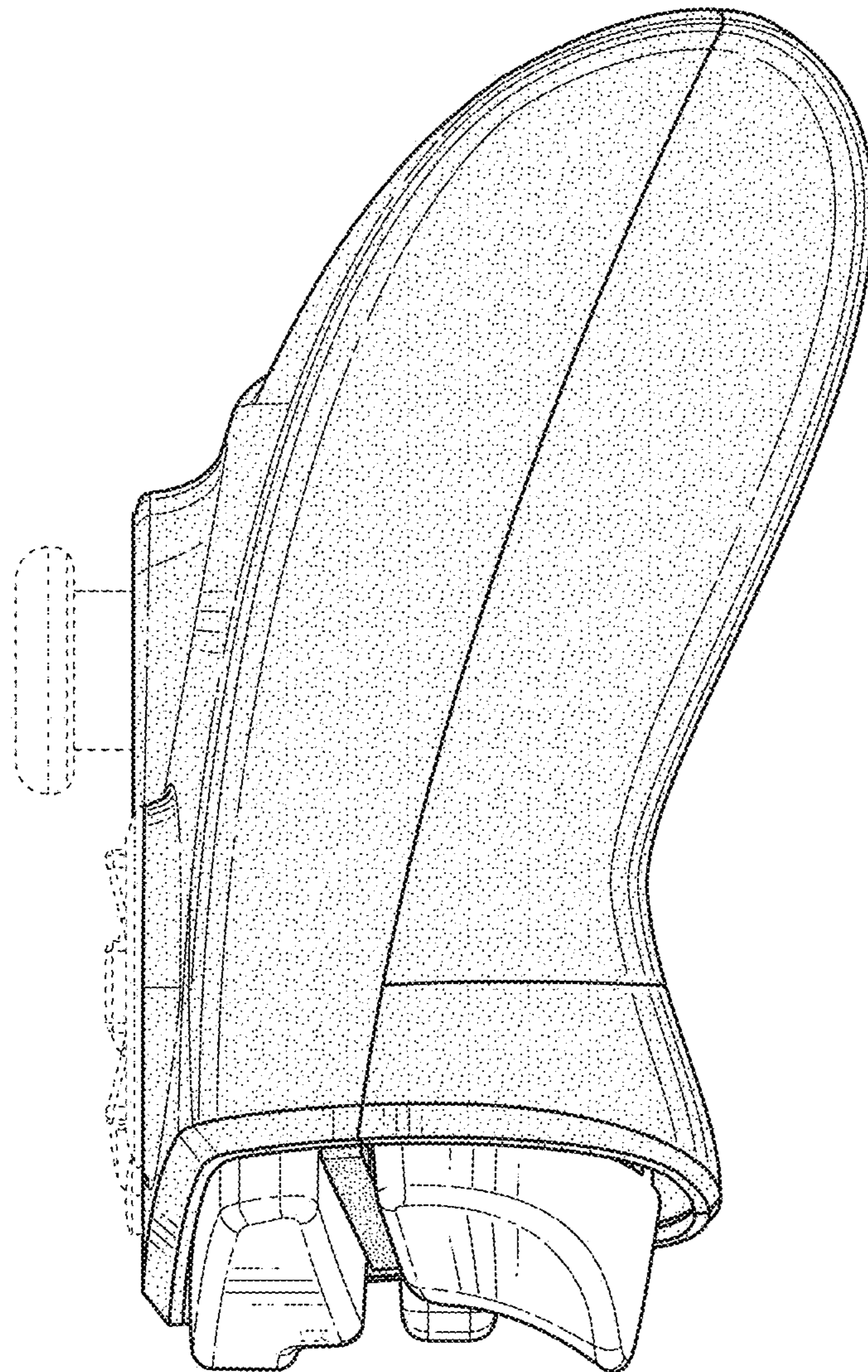


FIG. 4

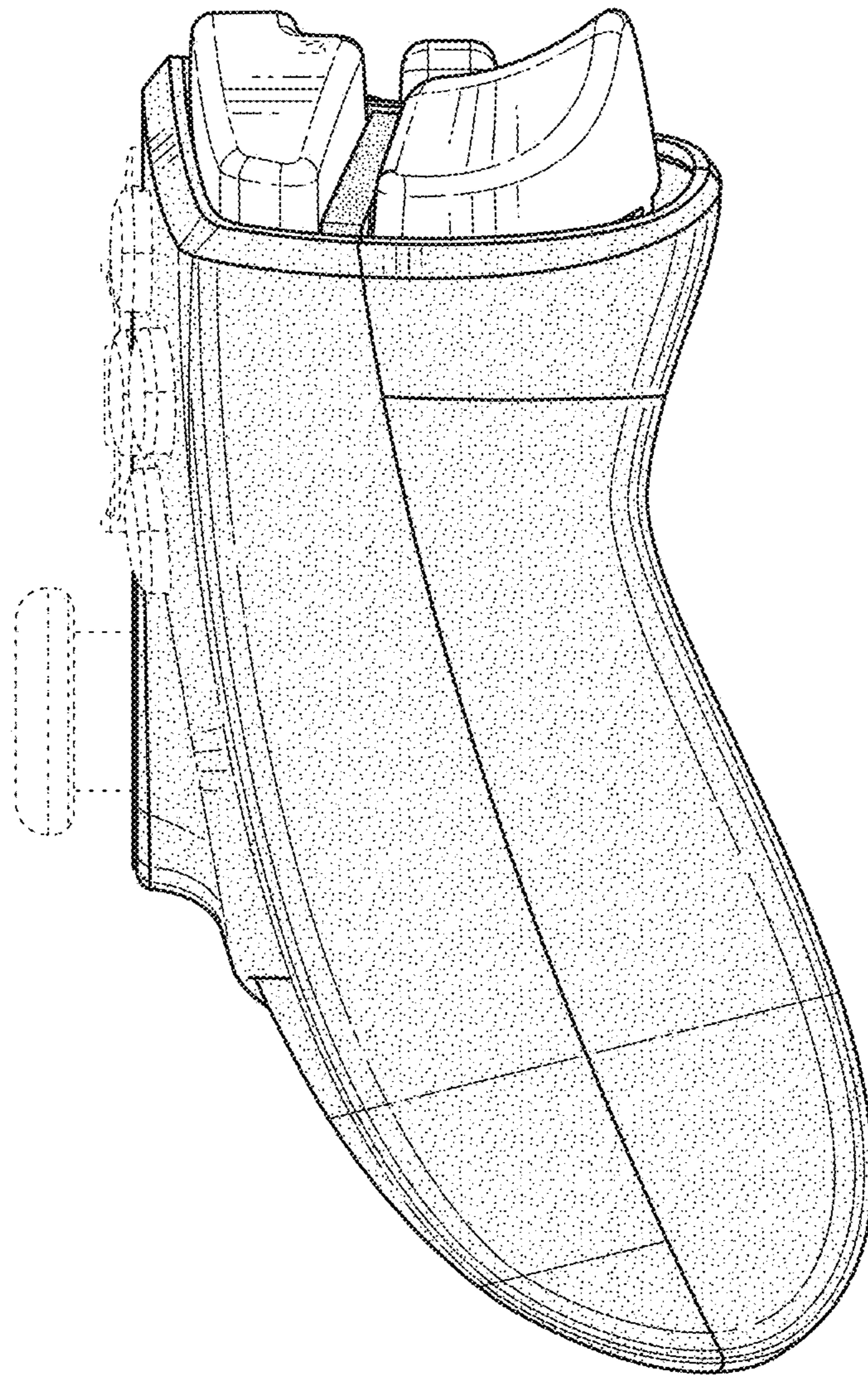


FIG. 5

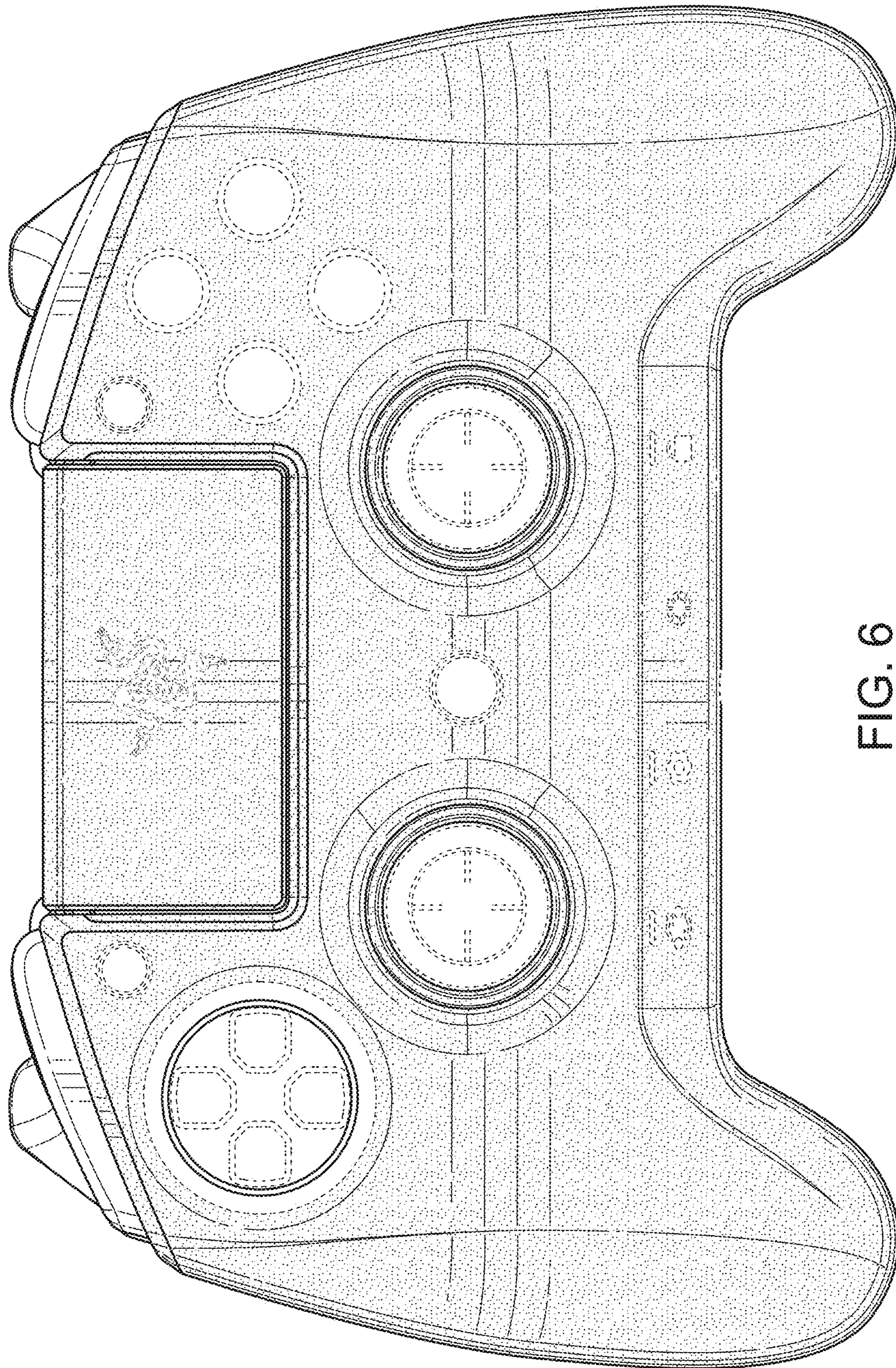


FIG. 6

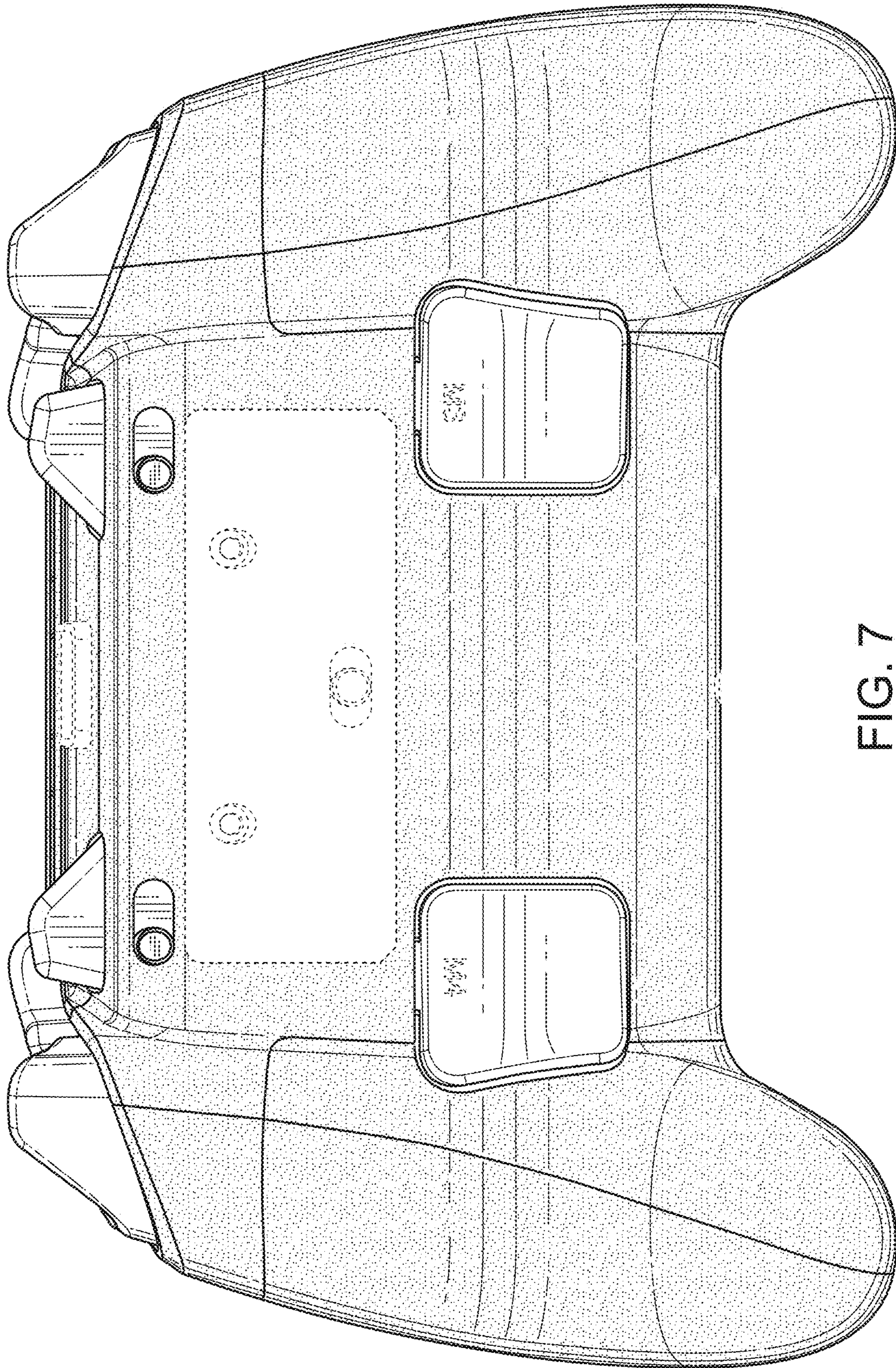


FIG. 7