



US00D888831S

(12) **United States Design Patent**  
**Huang et al.**

(10) **Patent No.:** **US D888,831 S**  
(45) **Date of Patent:** **\*\* Jun. 30, 2020**

- (54) **INFLATABLE DART BOARD**
- (71) Applicant: **Bestway Inflatables & Material Corp.**,  
Shanghai (CN)
- (72) Inventors: **Shuiyong Huang**, Shanghai (CN);  
**Jiliang Liu**, Shanghai (CN)
- (73) Assignee: **BESTWAY INFLATABLES &**  
**MATERIAL CORP.**, Shanghai (CN)

D393,491 S \* 4/1998 Yiu ..... F41J 3/02  
D21/307  
5,829,755 A \* 11/1998 Chen ..... F41J 3/02  
273/408  
D411,256 S \* 6/1999 Chen ..... D21/307  
5,954,339 A \* 9/1999 Yiu ..... F41J 3/00  
273/371  
7,874,931 B2 \* 1/2011 Liao ..... A63B 69/3641  
473/257  
D865,065 S \* 10/2019 Georgiadis ..... D21/306  
D867,457 S \* 11/2019 Sweeney ..... A63B 69/3641  
D21/303

(\*\*) Term: **15 Years**

\* cited by examiner

(21) Appl. No.: **29/654,065**

*Primary Examiner* — George D. Kirschbaum

*Assistant Examiner* — Joseph J Kukella

(22) Filed: **Jun. 20, 2018**

(74) *Attorney, Agent, or Firm* — AJ Moss; Dickinson  
Wright PLLC

(30) **Foreign Application Priority Data**

May 25, 2018 (CN) ..... 2018 3 0251652

(51) **LOC (12) Cl.** ..... **21-01**

(52) **U.S. Cl.**  
USPC ..... **D21/307**

(58) **Field of Classification Search**  
USPC ..... D21/300, 302, 306–310, 334, 335, 336,  
D21/338–341, 343, 345, 346, 348–351,  
D21/355, 357, 359, 360, 362, 363, 365,  
D21/369, 376, 378, 388, 389; D22/113  
CPC ..... A63F 3/00006; A63F 3/00056; A63F  
3/00138; A63F 3/062  
See application file for complete search history.

(56) **References Cited**

U.S. PATENT DOCUMENTS

5,026,065 A \* 6/1991 Bellagamba ..... A63B 69/3644  
473/216  
D375,774 S \* 11/1996 Harrold ..... D21/791  
D382,599 S \* 8/1997 Starrett ..... F41J 3/00  
D21/306  
D390,277 S \* 2/1998 Yiu ..... D21/307

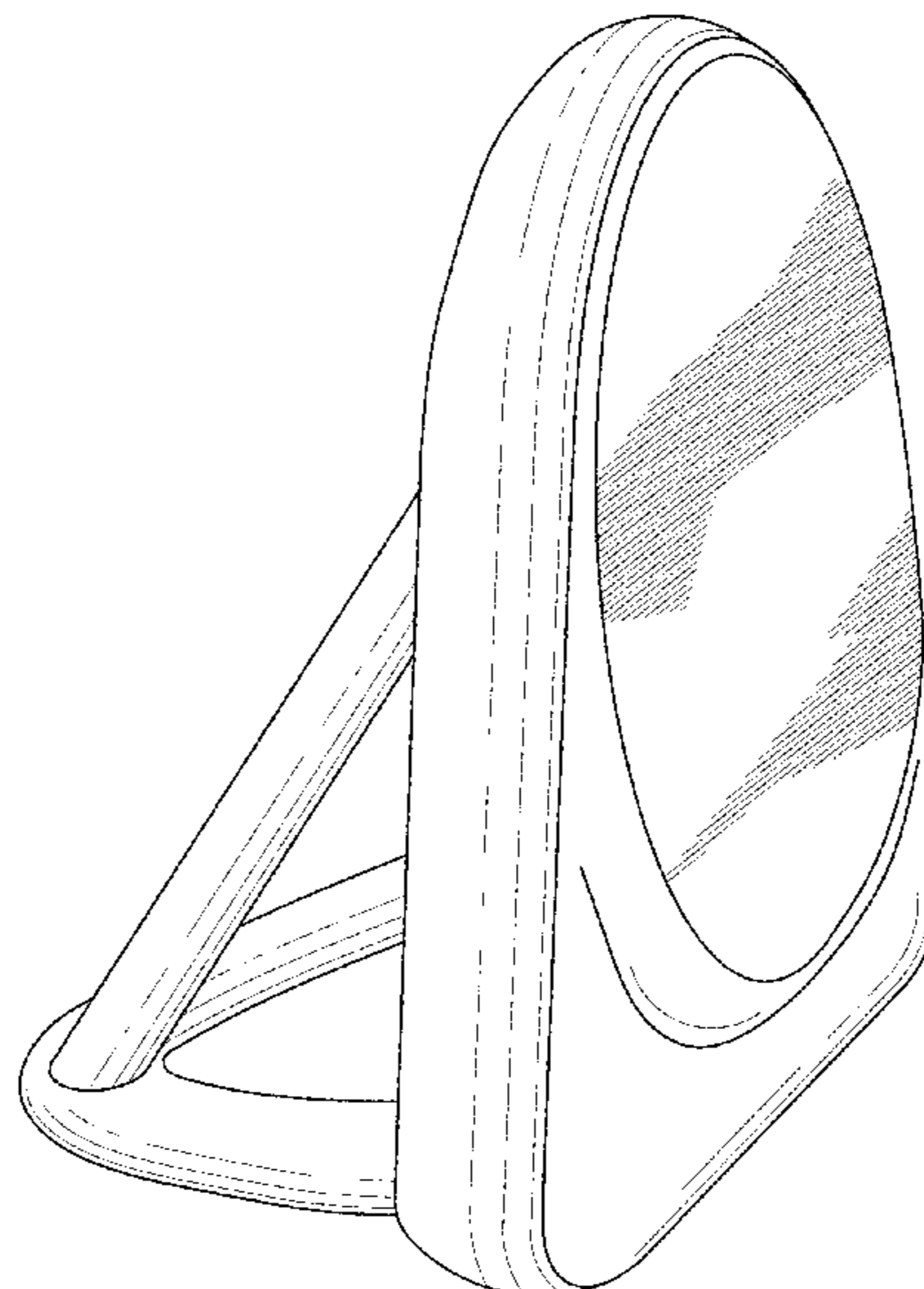
(57) **CLAIM**

We claim the ornamental design for an inflatable dart board,  
as shown and described.

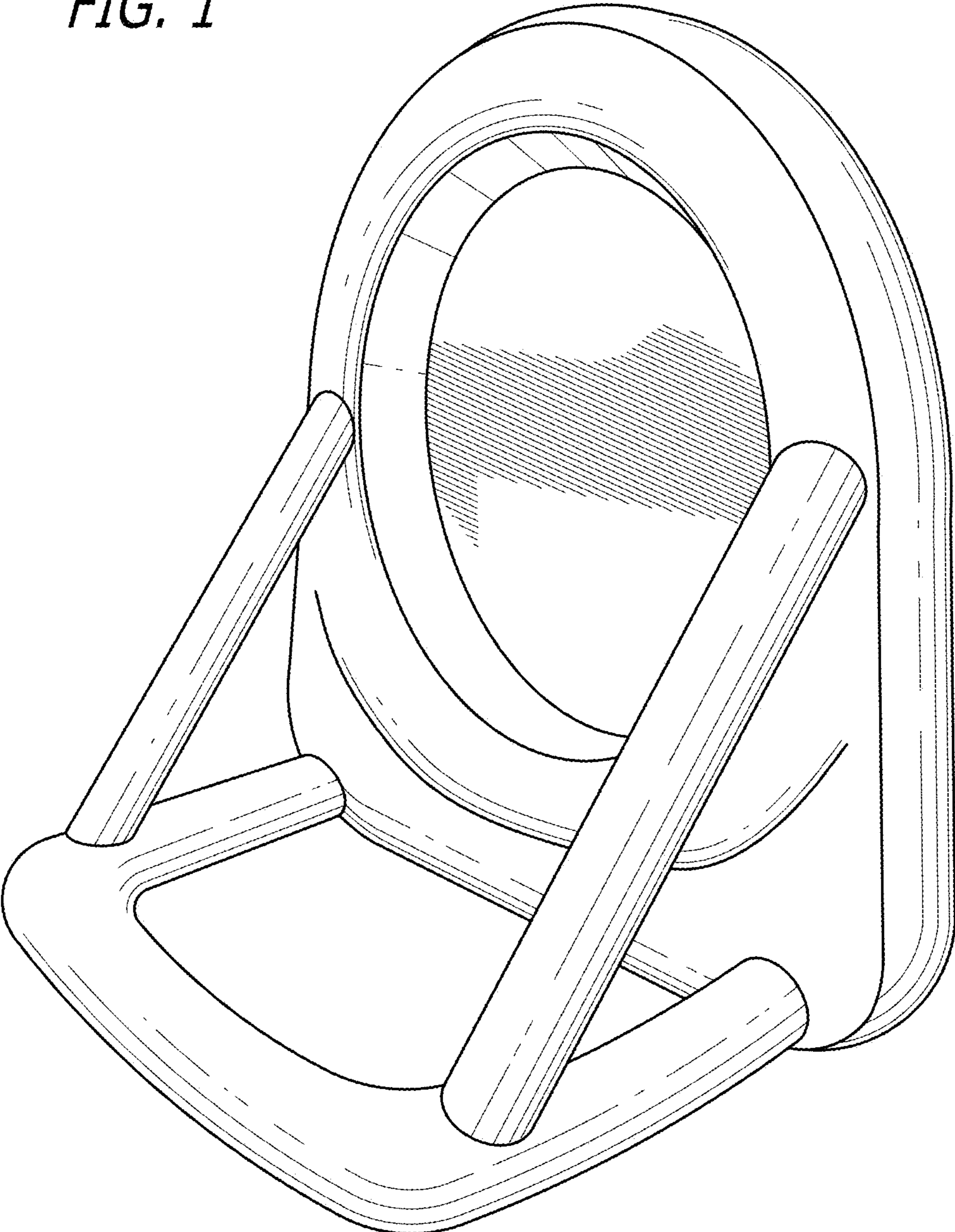
**DESCRIPTION**

FIG. 1 is a top rear left perspective view of an inflatable dart board according to the new design;  
FIG. 2 is a top front left perspective view of the inflatable dart board shown in FIG. 1;  
FIG. 3 is a top plan view of the inflatable dart board shown in FIG. 1;  
FIG. 4 is a bottom plan view of the inflatable dart board shown in FIG. 1;  
FIG. 5 is a right side elevation view of the inflatable dart board shown in FIG. 1;  
FIG. 6 is a left side elevation view of the inflatable dart board shown in FIG. 1;  
FIG. 7 is a rear elevation view of the inflatable dart board shown in FIG. 1; and,  
FIG. 8 is a front elevation view of the inflatable dart board shown in FIG. 1.

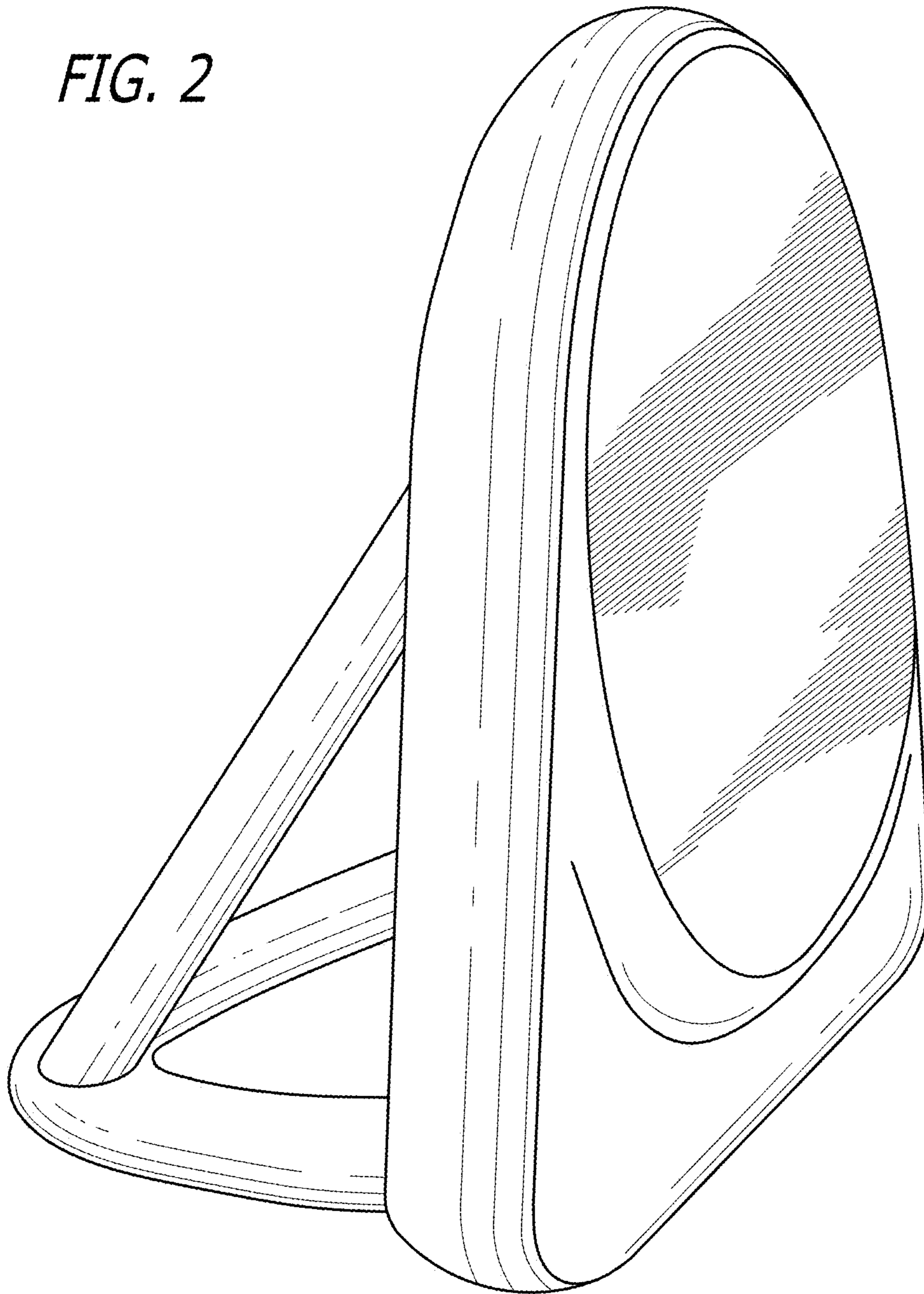
**1 Claim, 6 Drawing Sheets**

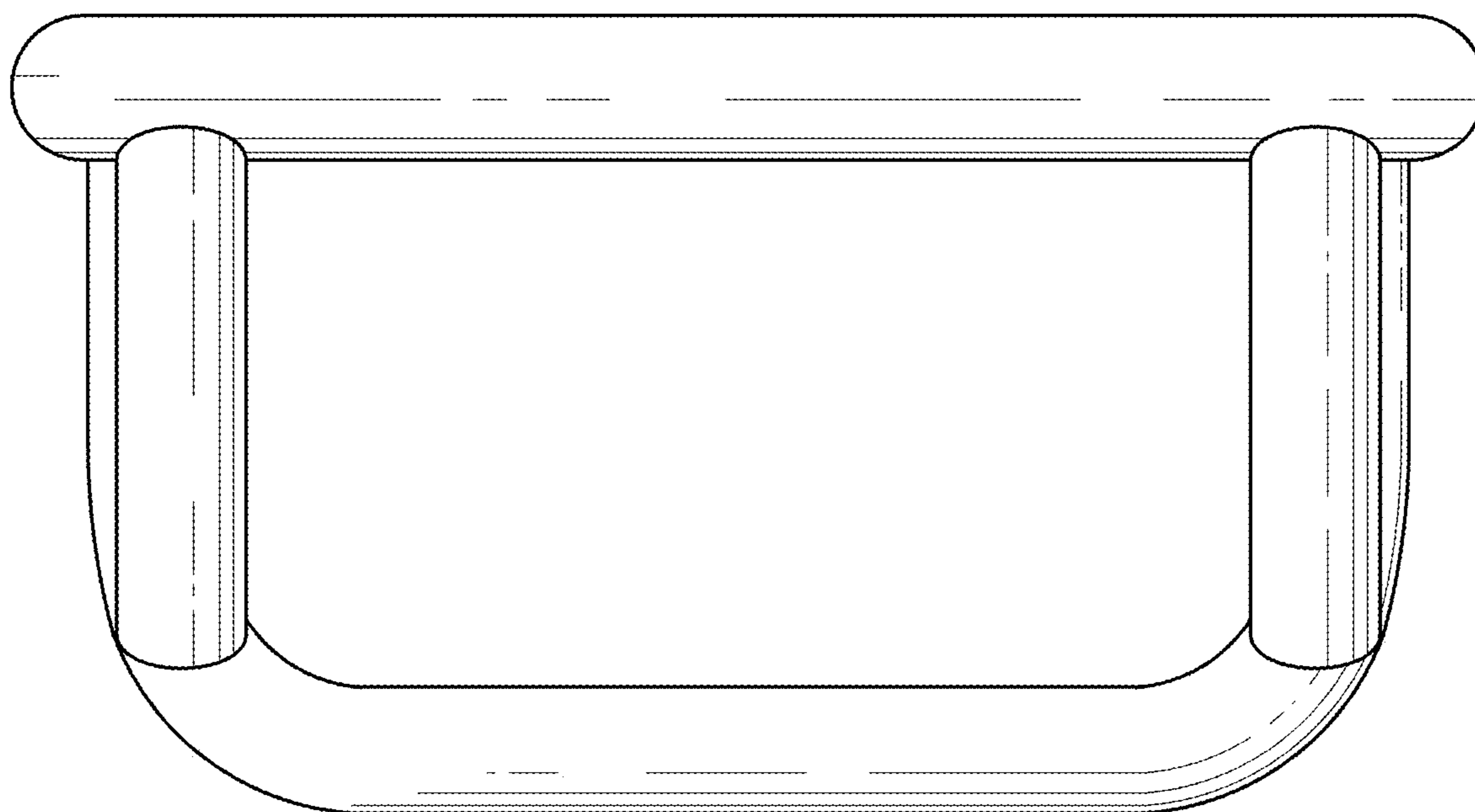


*FIG. 1*

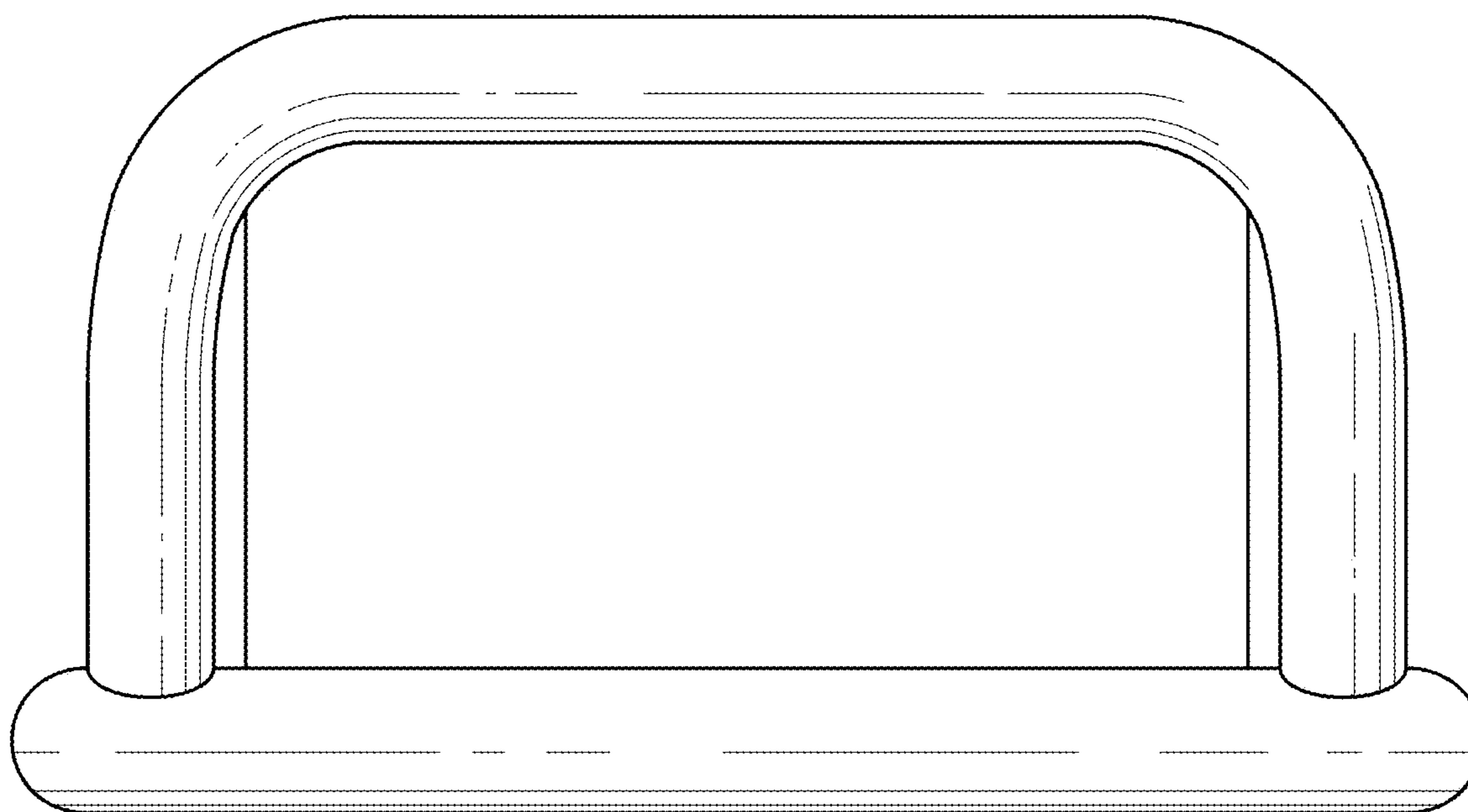


*FIG. 2*

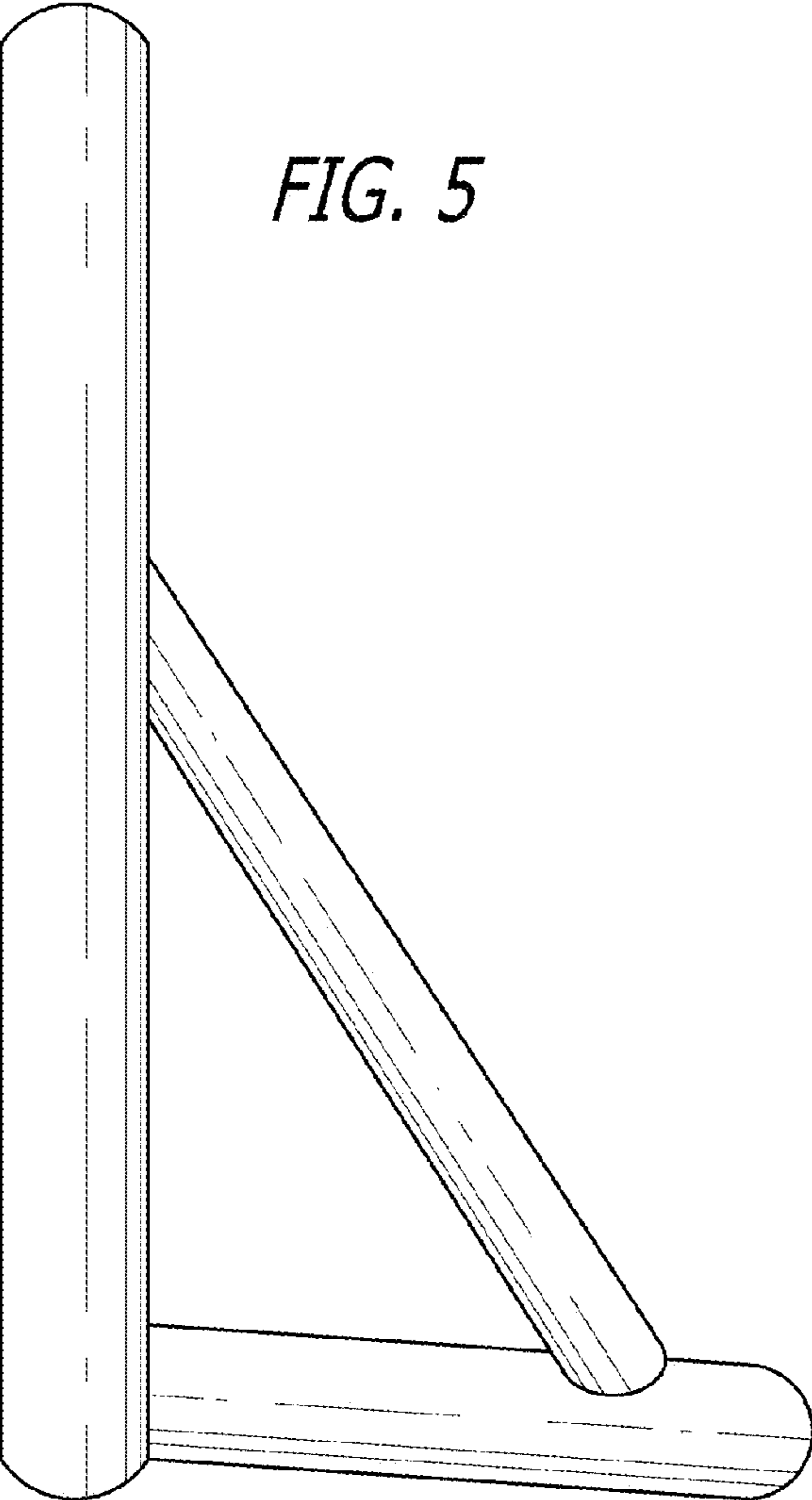




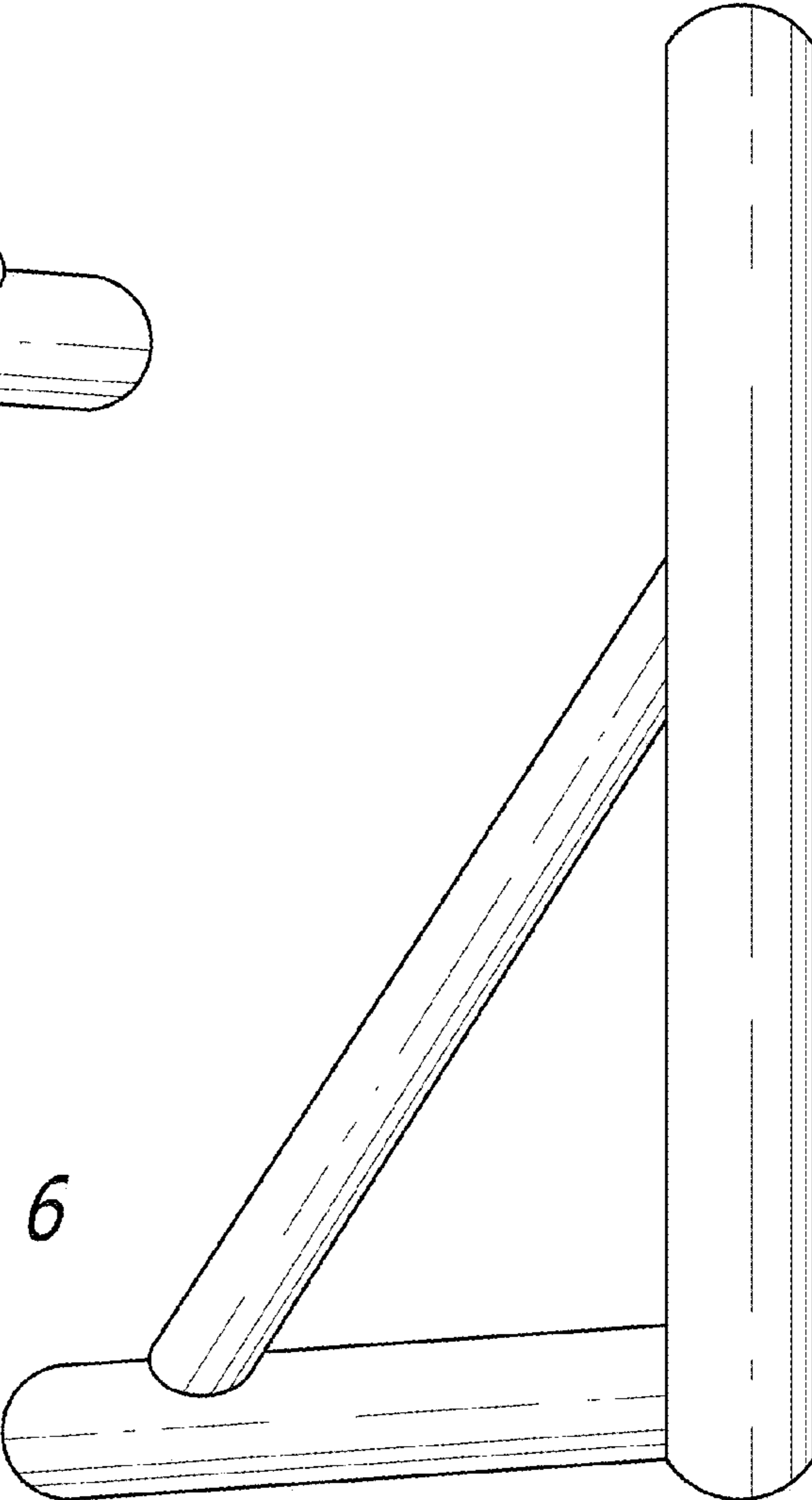
*FIG. 3*



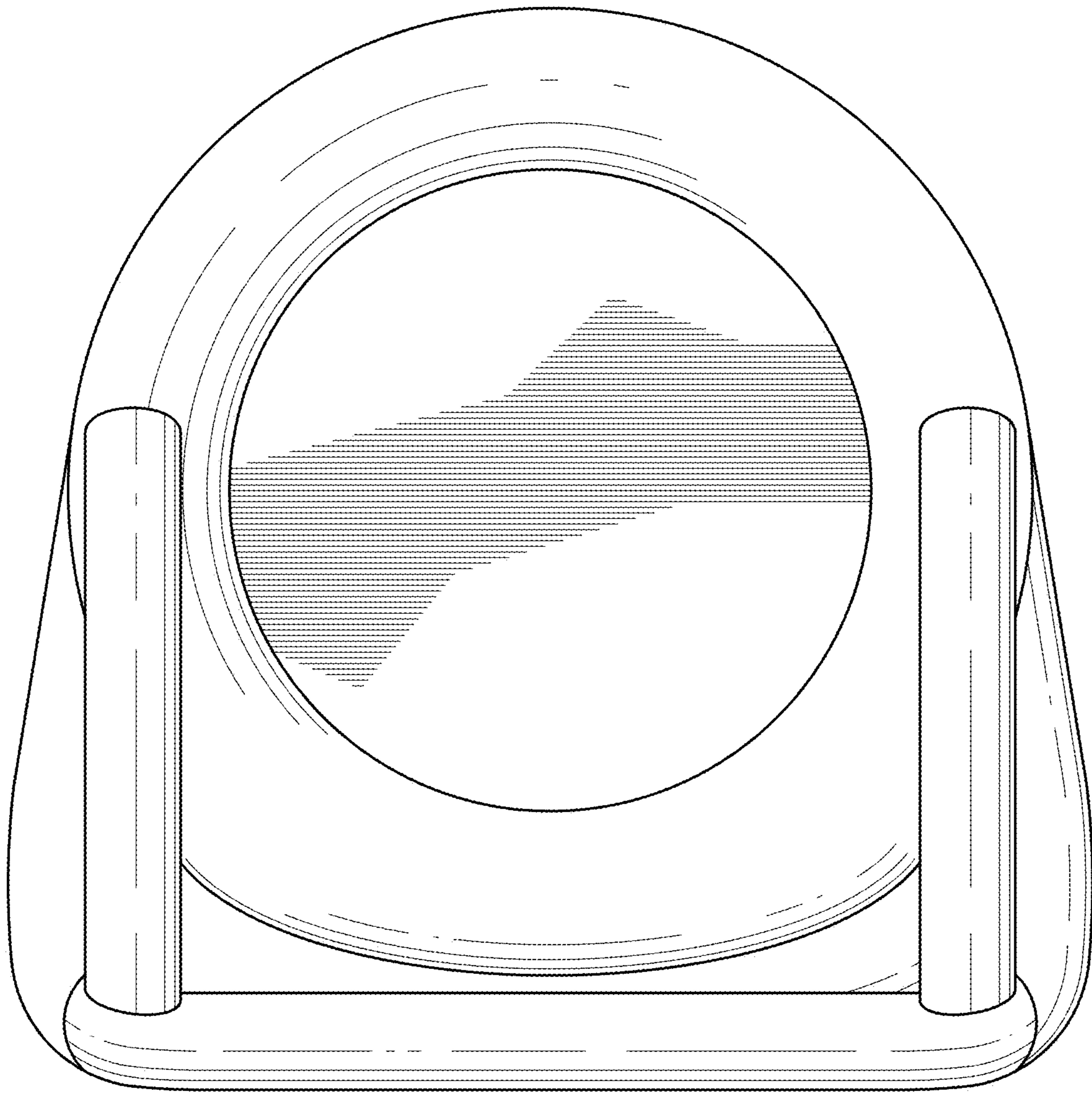
*FIG. 4*



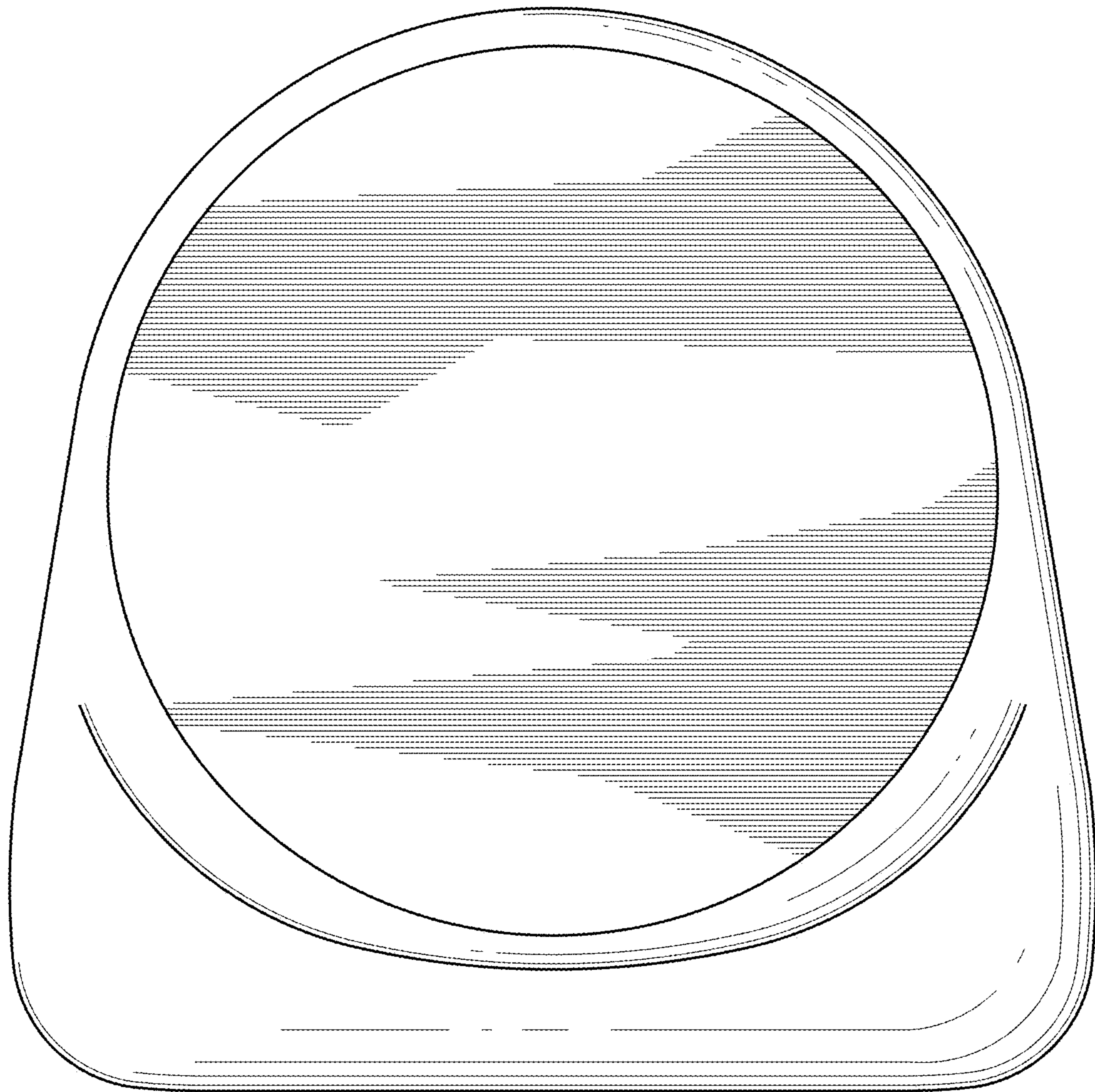
*FIG. 5*



*FIG. 6*



*FIG. 7*



*FIG. 8*