



US00D888829S

(12) **United States Design Patent**  
**Jimenez**

(10) **Patent No.:** **US D888,829 S**

(45) **Date of Patent:** **\*\* Jun. 30, 2020**

- (54) **TOSS GAME TARGET ASSEMBLY**
- (71) Applicant: **Herman Jimenez**, Greenwood Village, CO (US)
- (72) Inventor: **Herman Jimenez**, Greenwood Village, CO (US)
- (73) Assignee: **Herman Jimenez**, Greenwood Village
- (\*\*) Term: **15 Years**
- (21) Appl. No.: **29/650,607**
- (22) Filed: **Jun. 7, 2018**
- (51) **LOC (12) Cl.** ..... **21-01**
- (52) **U.S. Cl.**  
USPC ..... **D21/303**
- (58) **Field of Classification Search**  
USPC ..... D21/300–307, 319, 335, 342, 386, 699, D21/705, 789, 790, 791; D6/301, D6/310–312, 317, 319–322, 328, 655.18, D6/675.5, 685, 688.15, 693.1, 695.4, D6/696.3, 708, 708.16, 709, 709.02, D6/716.1; D16/244, 245; D20/16, 21; D23/214, 221, 238, 249, 252, 259, 263, D23/264, 265, 266, 386; D24/183, D24/188–190; D25/1, 3, 15, 42, 43, 44, D25/134; 273/336, 338; 473/164, 172, 473/197, 459  
CPC ... A63B 67/06; A63B 2067/063; A63B 63/00; A63B 63/08; A63B 71/022; A63B 67/002  
See application file for complete search history.

- 5,441,267 A \* 8/1995 Alder ..... G09F 17/00 116/173
- 5,692,979 A \* 12/1997 Jones ..... A63B 63/08 273/400
- D405,123 S \* 2/1999 Dekeyser ..... D21/303
- 5,954,337 A \* 9/1999 Cunningham ..... A63B 67/06 273/338
- D415,805 S \* 10/1999 Wygonik ..... D16/244
- D469,278 S \* 1/2003 Lippert ..... D17/13
- D481,763 S \* 11/2003 Roy ..... D21/304
- D634,789 S \* 3/2011 Hoge, Jr. .... D21/302
- D643,230 S \* 8/2011 Hepeng ..... D6/708.25
- D671,598 S \* 11/2012 Makaruk ..... D21/302
- 8,480,402 B2 \* 7/2013 Pecherski ..... A63F 9/06 434/258
- D754,795 S \* 4/2016 Kopytko ..... D21/303
- D773,570 S \* 12/2016 Pasquale ..... D21/702
- 2010/0113190 A1 \* 5/2010 Vysosias ..... A63B 63/08 473/481
- 2010/0261559 A1 \* 10/2010 Kaufman ..... A63B 69/385 473/459
- 2012/0225742 A1 \* 9/2012 Max ..... A63B 63/08 473/481
- 2013/0040762 A1 \* 2/2013 Swingle ..... A63B 63/00 473/422
- 2016/0236051 A1 \* 8/2016 Esteves ..... A63B 67/002
- 2017/0021254 A1 \* 1/2017 Wolf ..... A63B 67/06
- 2018/0050251 A1 \* 2/2018 Burdette ..... A63B 69/0095

(Continued)

*Primary Examiner* — Sandra S Snapp  
*Assistant Examiner* — Mehri F Bajoul

(57) **CLAIM**

The ornamental design for a toss game target assembly, as shown and described.

**DESCRIPTION**

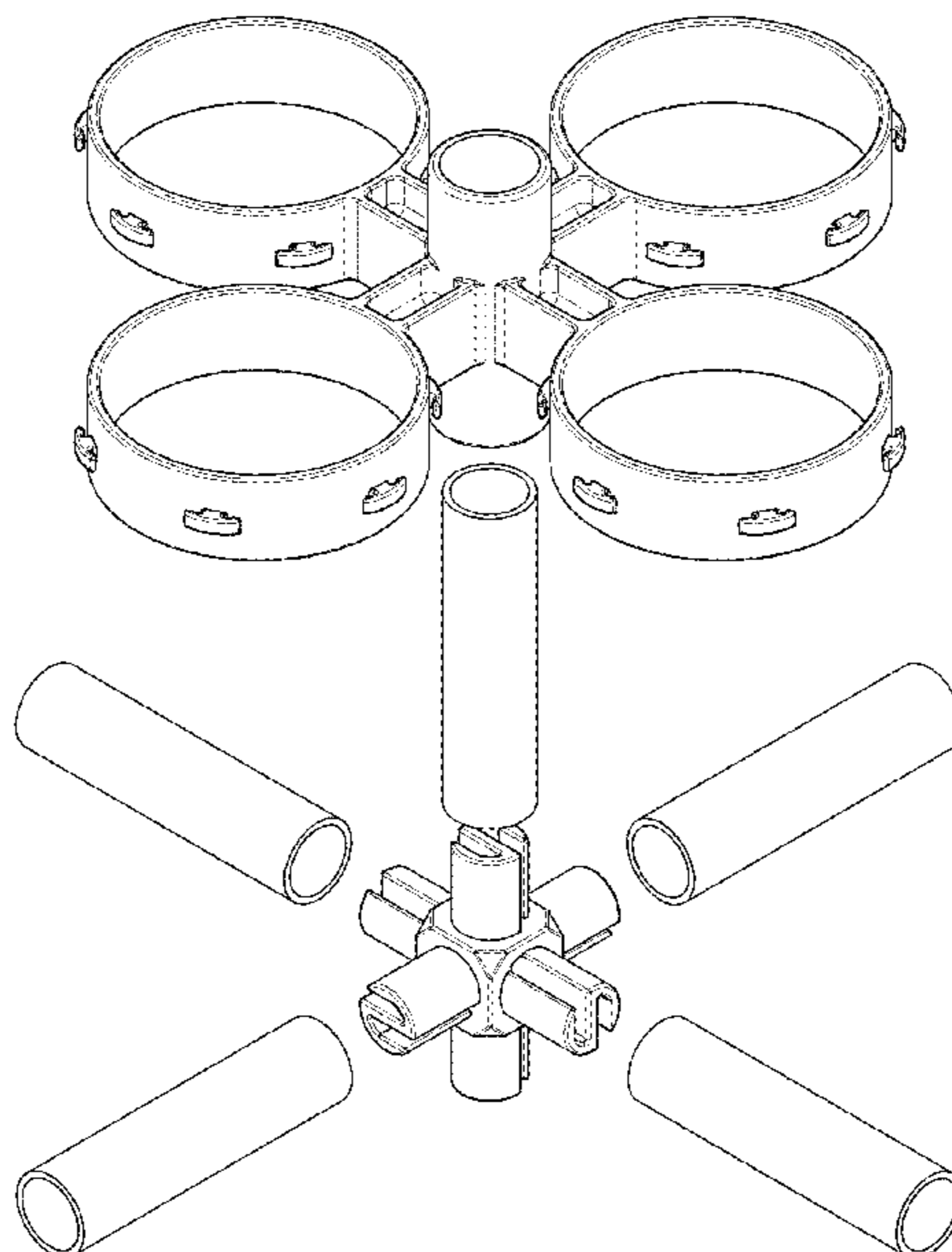
The FIGURE is a perspective view of a toss game target assembly in an exploded position. Toss game target assembly for playing toss skill games indoors and outdoors.

**1 Claim, 1 Drawing Sheet**

(56) **References Cited**

**U.S. PATENT DOCUMENTS**

- 2,194,779 A \* 3/1940 Frank ..... A63B 63/08 473/485
- D258,366 S \* 2/1981 Ward ..... D21/303



(56)

**References Cited**

U.S. PATENT DOCUMENTS

2018/0333624 A1\* 11/2018 Wilson ..... A63B 63/08  
2019/0224545 A1\* 7/2019 Torgerson ..... A63B 63/08

\* cited by examiner

