



US00D88825S

(12) **United States Design Patent**
Hu

(10) **Patent No.:** **US D888,825 S**
(45) **Date of Patent:** **** Jun. 30, 2020**

- (54) **DESKTOP ADVERTISING MACHINE**
- (71) Applicant: **Shenzhen Friday Originality Technology Co., Ltd.**, Shenzhen, Guangdong (CN)
- (72) Inventor: **Youfen Hu**, Guangdong (CN)
- (73) Assignee: **Shenzhen Friday Originality Technology Co., Ltd.**, Shenzhen (CN)
- (**) Term: **15 Years**
- (21) Appl. No.: **29/647,331**
- (22) Filed: **May 11, 2018**
- (51) **LOC (12) Cl.** **20-02**
- (52) **U.S. Cl.**
USPC **D20/19**
- (58) **Field of Classification Search**
USPC D7/306; D10/42; D14/307, 336, 349; D15/79, 81, 89; D18/4.4; D20/1-10, 19, D20/99; D99/28
CPC A47F 1/08; A47F 1/10; G07B 1/00; G07B 11/00; G07B 15/00; G07F 5/00; G07F 5/18; G07F 7/0609; G07F 7/069; G07F 9/026; G07F 9/10; G07F 9/16; G07F 11/00; G07F 11/005; G07F 11/007; G07F 11/02; G07F 11/04; G07F 11/10; G07F 11/14; G07F 11/32; G07F 11/46; G07F 11/54; G07F 11/62
See application file for complete search history.

- D546,890 S * 7/2007 Siler D20/1
- D639,086 S * 6/2011 Curbbun D20/10
- D656,195 S * 3/2012 Renard D20/10
- D661,124 S * 6/2012 Curbbun D20/10
- D678,651 S * 3/2013 Bartolome D14/901
- D681,717 S * 5/2013 Helgesson D18/4.6
- D690,349 S * 9/2013 Qin D18/12
- D742,455 S * 11/2015 Denby D20/19

(Continued)

OTHER PUBLICATIONS

Wu, Jenny. "FYD 868 WiFi Android Table Top Advertising Player." YouTube.com. 0:00-0:22. Jan. 10, 2019. Accessed Apr. 17, 2020. Available online at URL: <https://www.youtube.com/watch?v=2ooyTxq0Rtc> (Year: 2019).*

(Continued)

Primary Examiner — Cathron C Brooks
Assistant Examiner — Christian P. McLean

(57) **CLAIM**

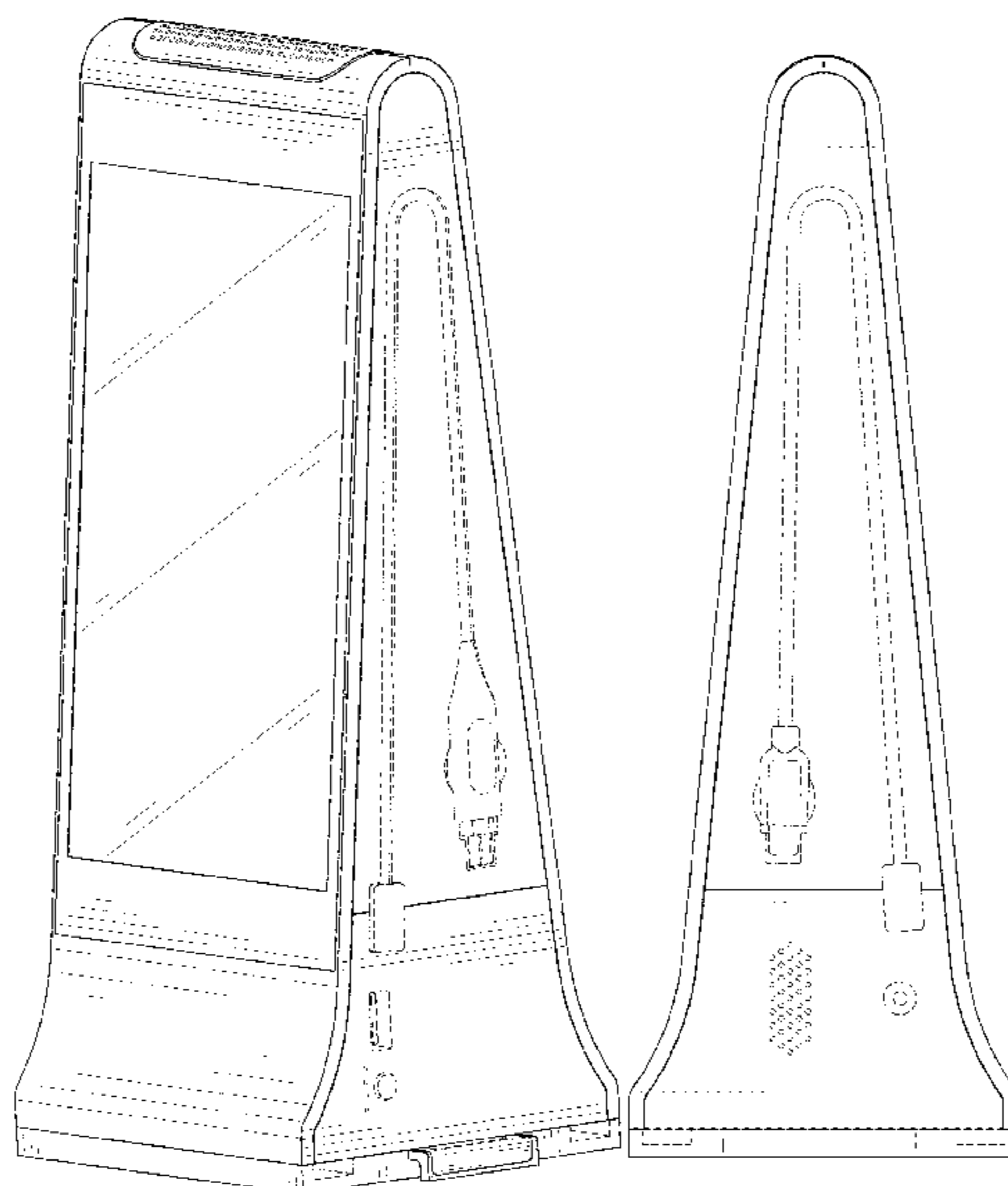
The ornamental design for a desktop advertising machine, as shown and described.

DESCRIPTION

FIG. 1 is a top, front and right side perspective view of a desktop advertising machine showing my new design; FIG. 2 is a top, rear and left side perspective view thereof; FIG. 3 is a front elevational view thereof; FIG. 4 is a rear elevational view thereof; FIG. 5 is a left side view thereof; FIG. 6 is a right side view thereof; FIG. 7 is a top plan view thereof; and, FIG. 8 is a bottom plan view thereof. The broken lines in the drawings illustrate portions of the desktop advertising machine which form no part of the claimed design. The diagonal lines in the drawings represent reflective surfaces.

1 Claim, 8 Drawing Sheets

- (56) **References Cited**
U.S. PATENT DOCUMENTS
D240,985 S * 8/1976 Damsky, et al. D6/679
D319,667 S * 9/1991 Gray D20/10
D335,310 S * 5/1993 Kurnow D16/221
D412,233 S * 7/1999 Cajacob D14/900
D423,164 S * 4/2000 McKeown D20/10
D486,188 S * 2/2004 Norcross D20/43



(56)

References Cited

U.S. PATENT DOCUMENTS

D833,529 S * 11/2018 Nejad D20/10
D834,575 S * 11/2018 Su D14/374
D852,273 S * 6/2019 Lim D20/39
D880,592 S * 4/2020 Lee D20/39
2006/0218832 A1 * 10/2006 Chu G09F 13/04
40/564

OTHER PUBLICATIONS

“FYD-868 Plus X Dual 8 Inch LCD Touch Screen Android Table Advertising Player.” m.szfyd.net. Date not available. Accessed Apr. 17, 2020. Available online at URL: <http://m.szfyd.net/tableadvertisingplayer/8-18.html> (Year: N/A).*

* cited by examiner

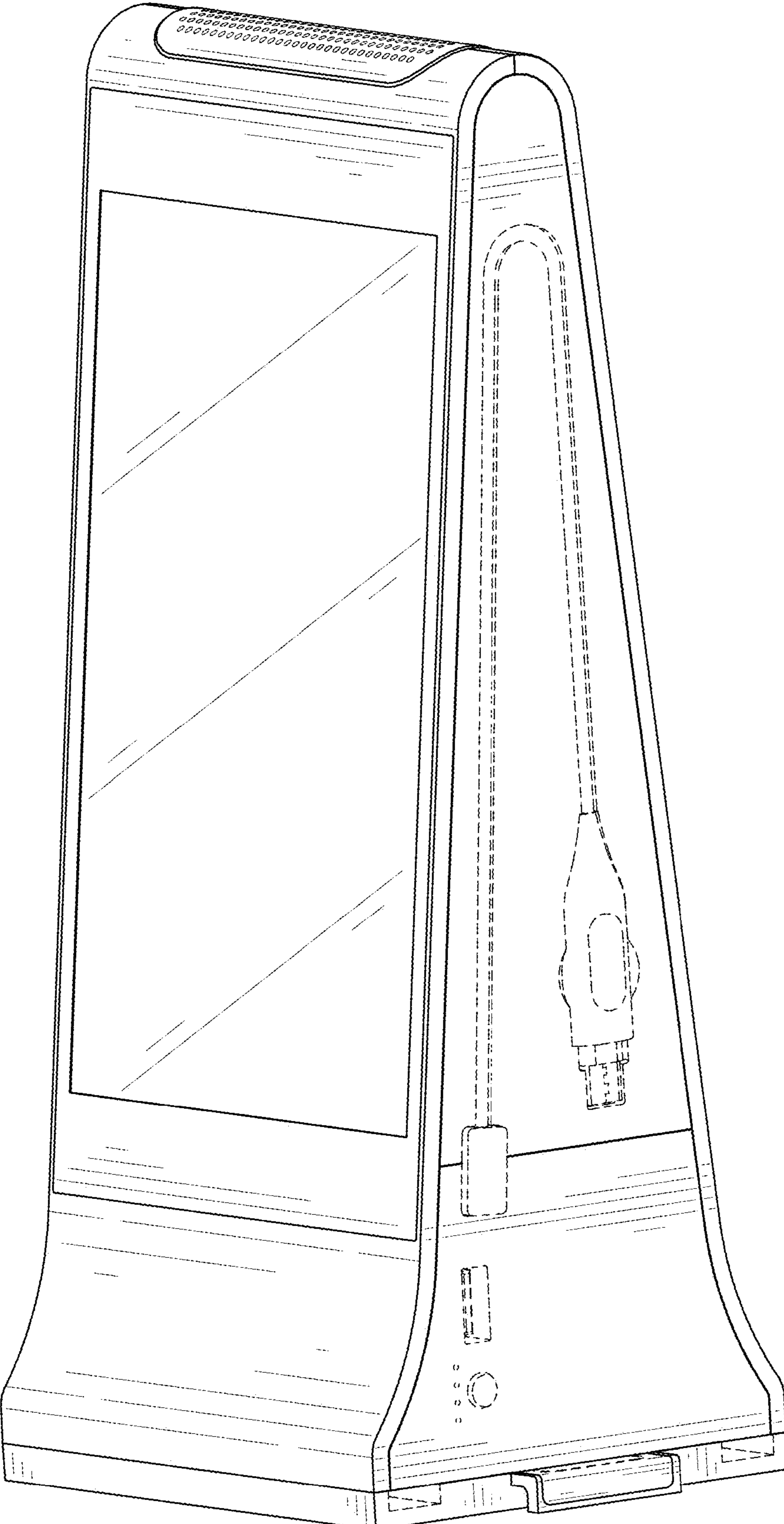


FIG. 1

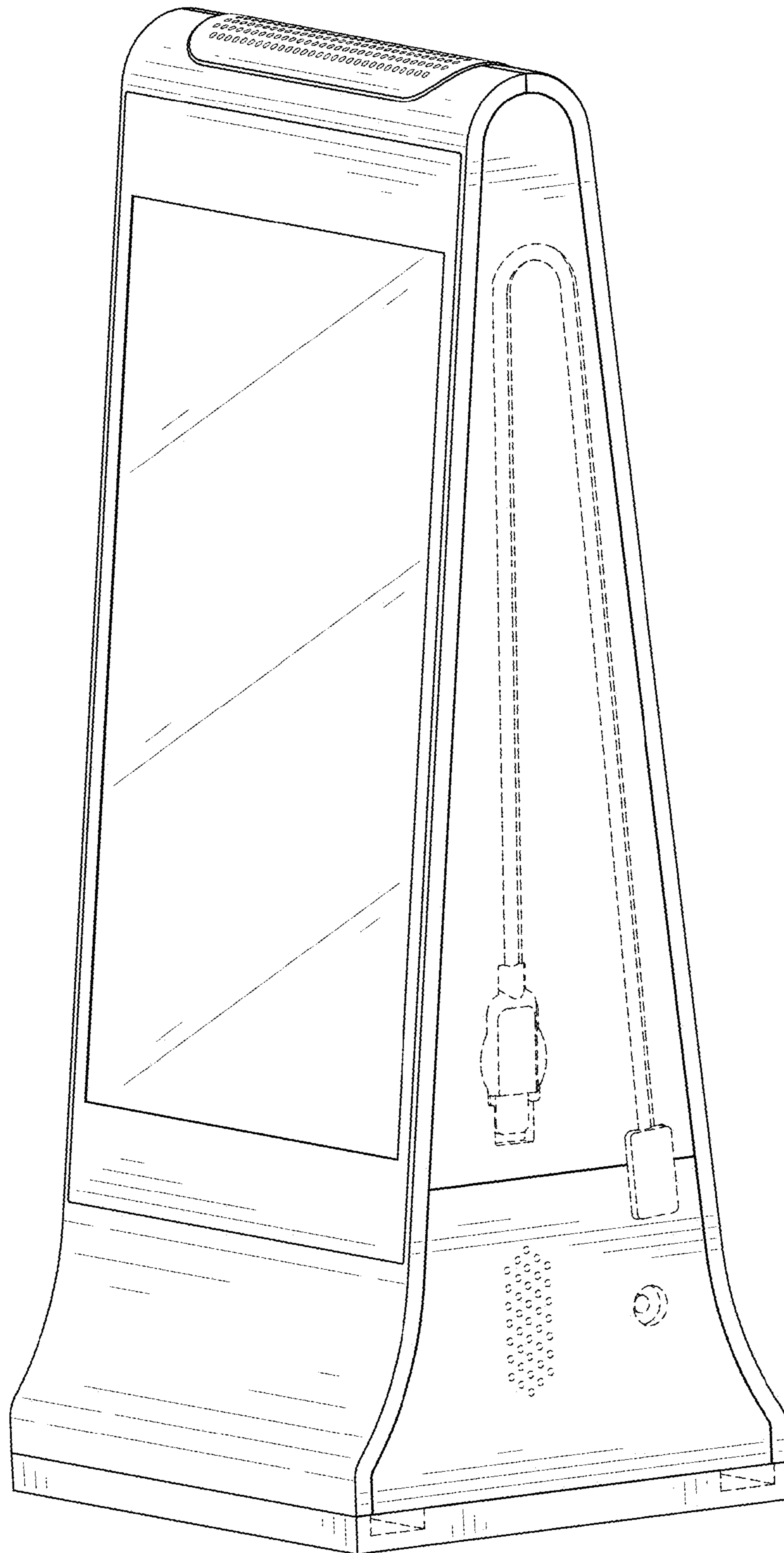


FIG. 2

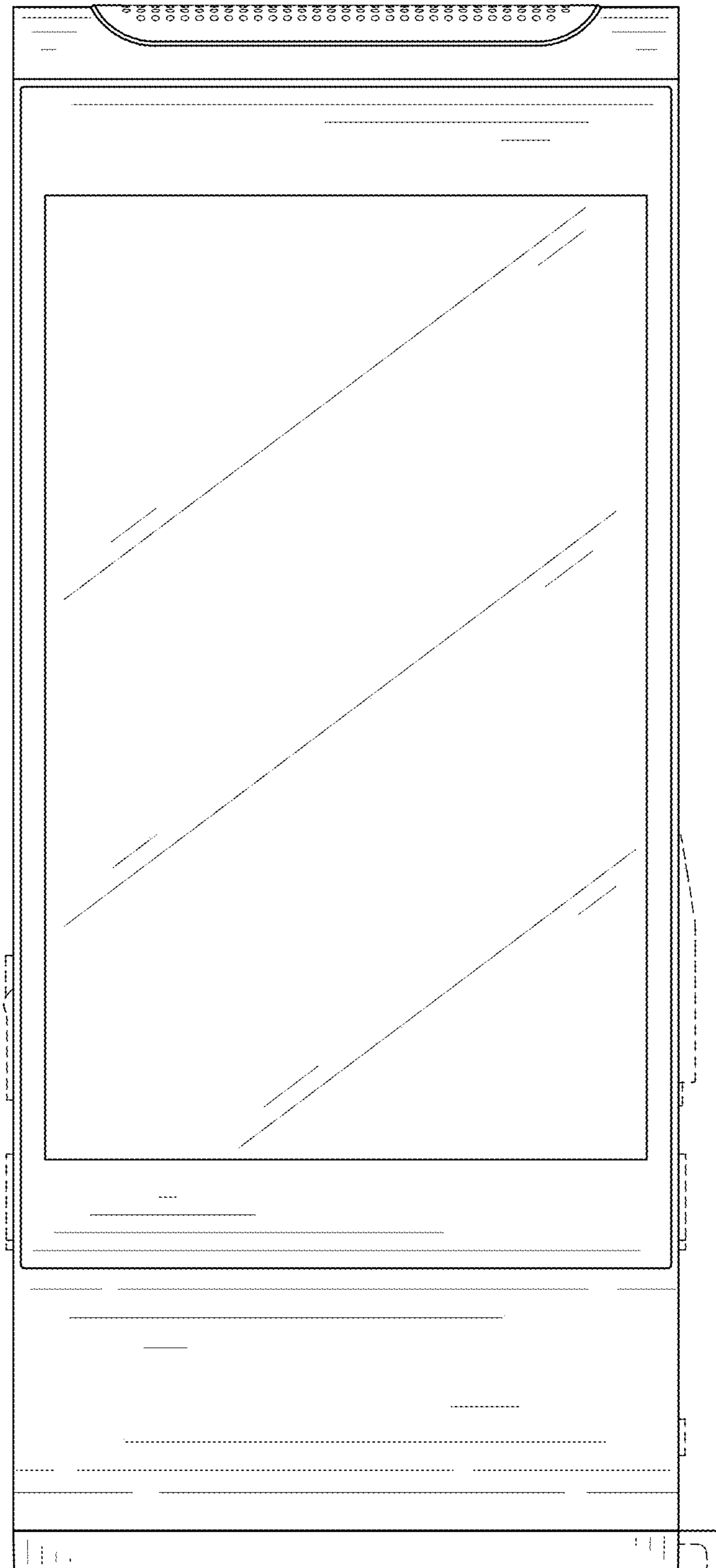


FIG. 3

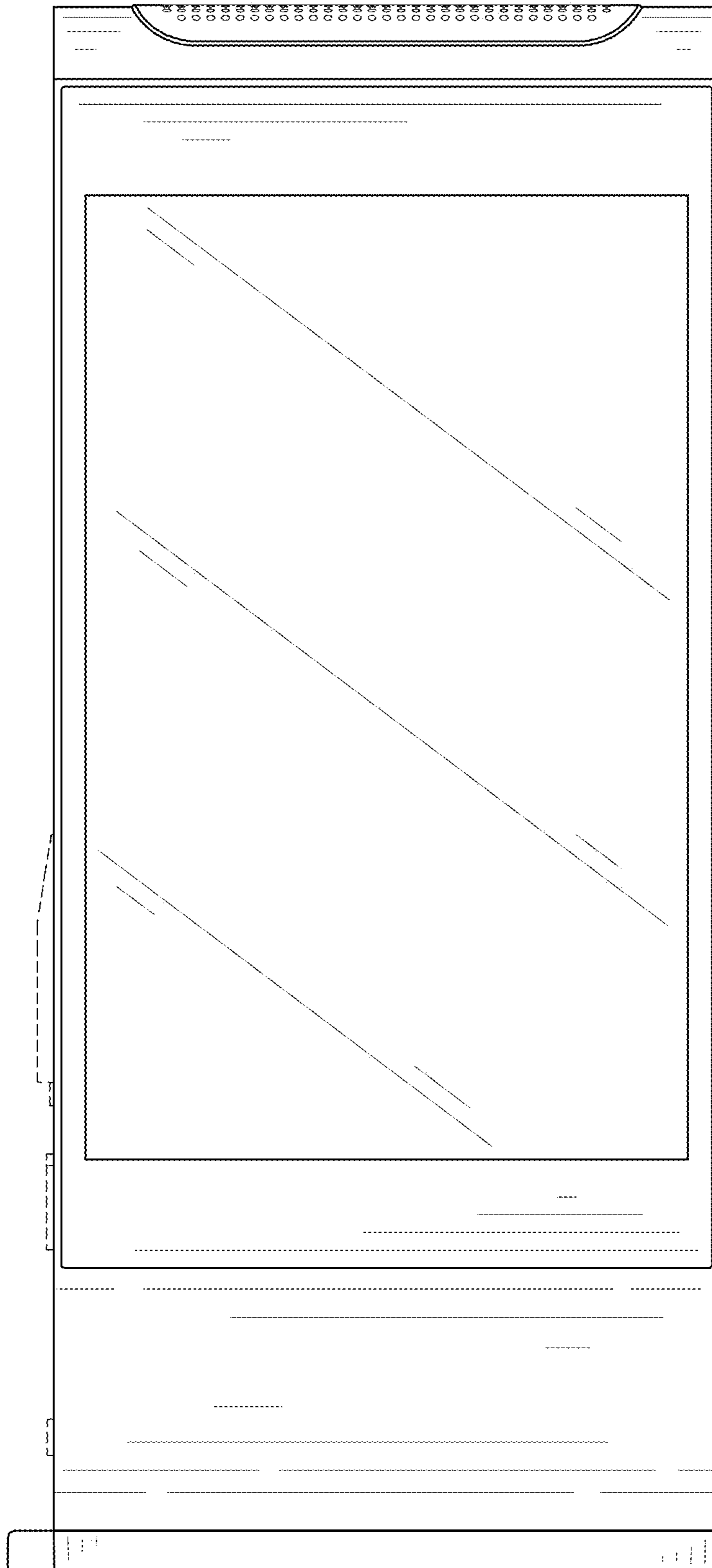


FIG. 4

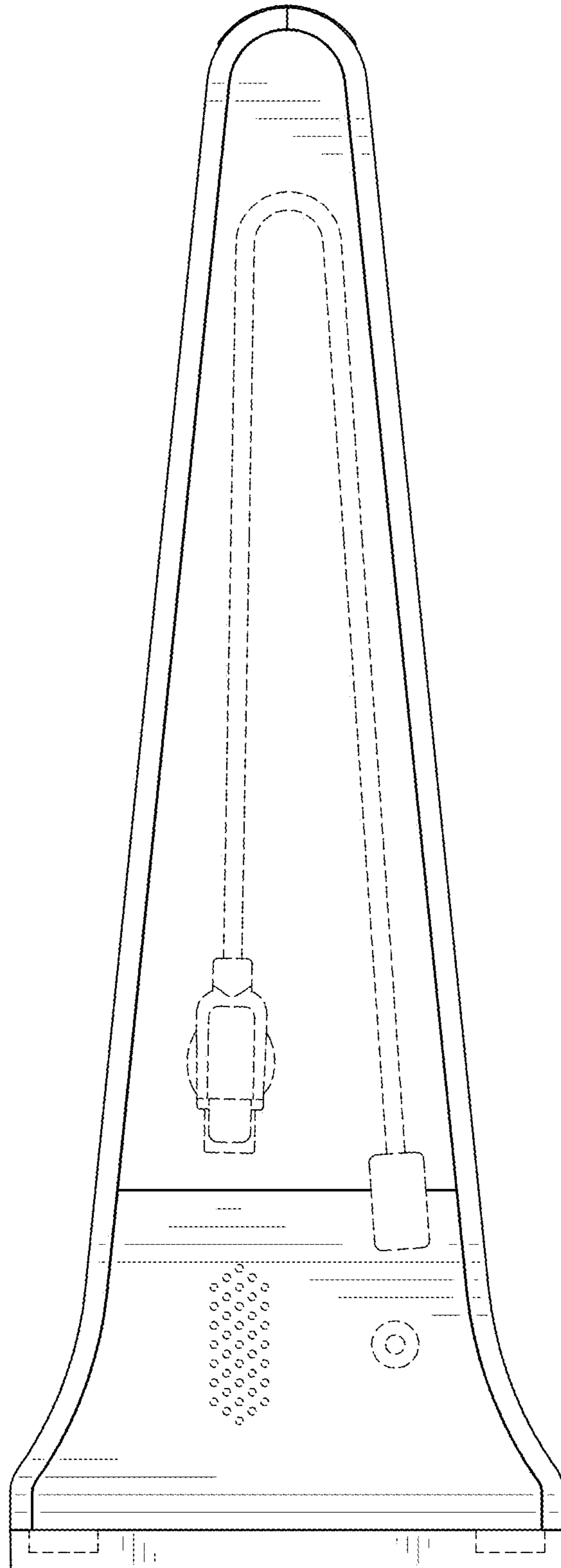


FIG. 5

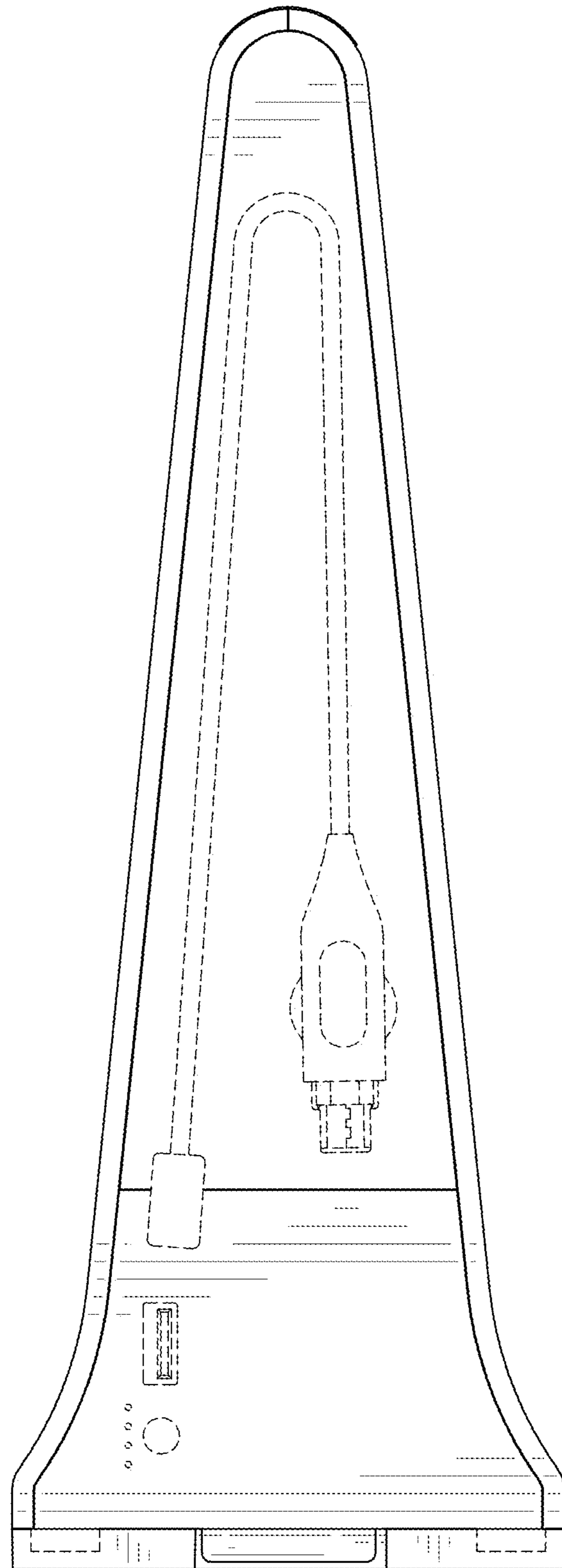


FIG. 6

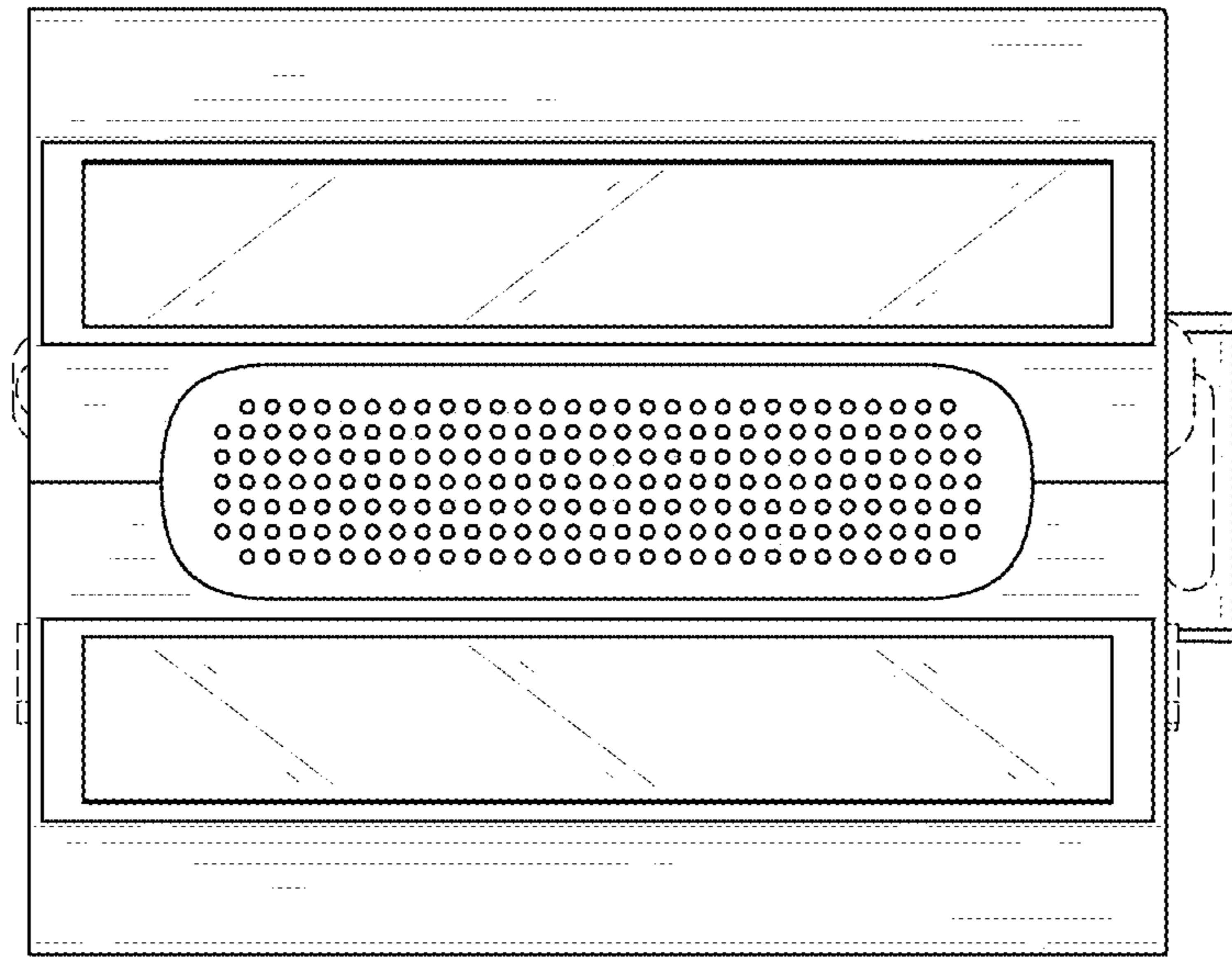


FIG. 7

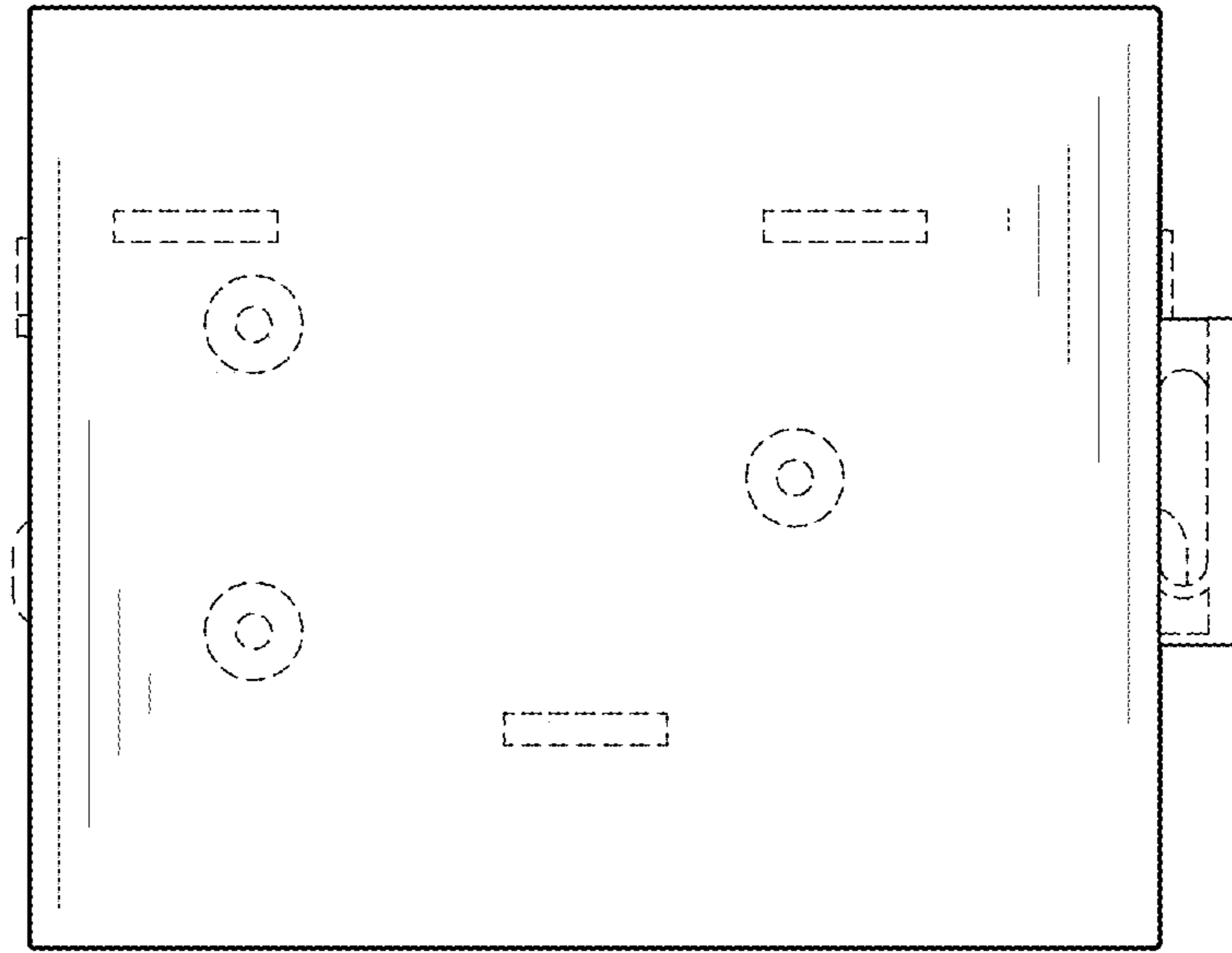


FIG. 8