



US00D888822S

(12) **United States Design Patent**
Yepez et al.

(10) **Patent No.:** **US D888,822 S**
(45) **Date of Patent:** **** Jun. 30, 2020**

- (54) **PRINTER**
- (71) Applicant: **NCR Corporation**, Atlanta, GA (US)
- (72) Inventors: **Rafael Yepez**, Duluth, GA (US); **Kwan Lee**, Johns Creek, GA (US)
- (73) Assignee: **NCR Corporation**, Atlanta, GA (US)
- (**) Term: **15 Years**
- (21) Appl. No.: **29/675,446**
- (22) Filed: **Jan. 2, 2019**
- (51) **LOC (12) Cl.** **18-02**
- (52) **U.S. Cl.**
USPC **D18/50**
- (58) **Field of Classification Search**
USPC D15/122, 135-138, 141, 66, 73, 76-78;
D18/53, 59, 50, 14, 19, 54-57, 36-45,
D18/34.4, 34.5, 34.6, 18, 51;
D14/301-303, 307, 345, 216; D6/691.4,
D6/675, 708; D13/107, 108; D9/435,
D9/448, 447, 454, 688, 772
CPC B41J 2/14; B41J 1/54; B41J 3/4073; B41J
3/4078; B41F 17/22; B41F 17/003; B41F
17/38; B28B 1/001; G03G 15/08; G03G
15/0891; G03G 15/0875; G03G
2215/0827; G03G 2215/0855; G03G
21/1842
See application file for complete search history.

(56) **References Cited**

U.S. PATENT DOCUMENTS

- D613,791 S * 4/2010 Yoshioka D18/55
- D631,050 S * 1/2011 Iliffe-Moon D14/422
- D645,502 S * 9/2011 Amemiya D18/55
- D661,345 S * 6/2012 Asano D18/50
- D662,130 S * 6/2012 Kitazawa D18/50
- D665,013 S * 8/2012 Ishikawa D18/50

- D680,163 S * 4/2013 Lim D18/36
- D680,581 S * 4/2013 Nakata D18/50
- D681,721 S * 5/2013 Iwai D18/50
- D686,658 S * 7/2013 Matsuno D18/50
- D699,724 S * 2/2014 Isozaki D14/421
- D705,781 S * 5/2014 Yin D14/421
- D720,754 S * 1/2015 Chin D14/422
- D733,795 S * 7/2015 Nanno D18/55
- D746,345 S * 12/2015 Kida D15/135
- D761,902 S * 7/2016 Matsumoto D18/50
- D761,903 S * 7/2016 Matsumoto D18/50
- 9,597,907 B2 * 3/2017 Kohyama B41J 15/042
- D791,867 S * 7/2017 Nakagawa D18/50
- D795,954 S * 8/2017 Hirota D18/55
- D803,286 S * 11/2017 Egami D15/148
- D806,162 S * 12/2017 Tashima D18/50
- D815,195 S * 4/2018 Chin D18/50
- D815,196 S * 4/2018 Tanaka D18/50
- D816,766 S * 5/2018 Chin D18/55
- D827,021 S * 8/2018 Asano D18/50
- D870,806 S * 12/2019 Ozawa D18/19

(Continued)

Primary Examiner — T Chase Nelson
Assistant Examiner — Mary Claire Ramirez
(74) *Attorney, Agent, or Firm* — Schwegman, Lundberg & Woessner

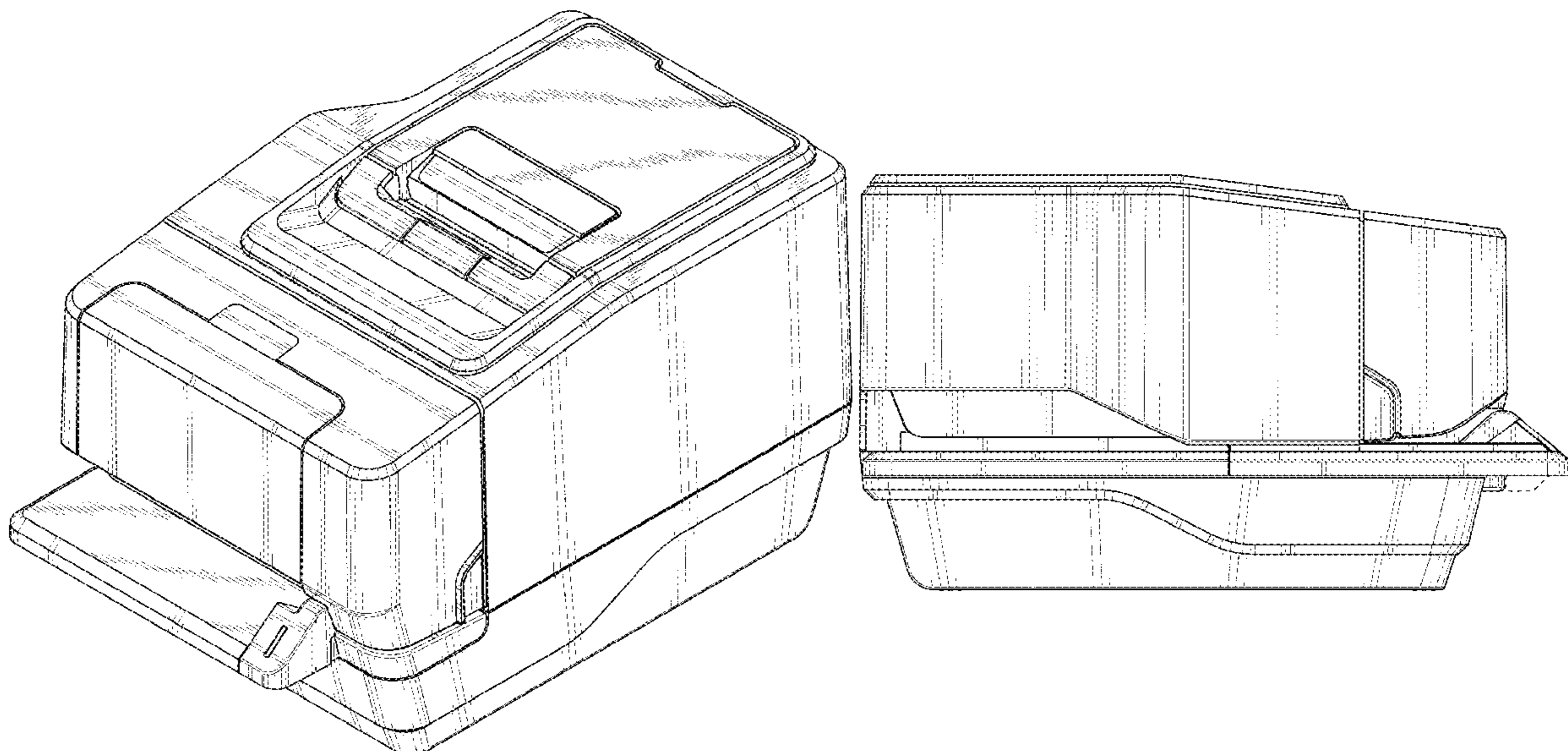
(57) **CLAIM**

The ornamental design for a printer, as shown and described.

DESCRIPTION

FIG. 1 is a front perspective view of a printer showing our new design;
FIG. 2 is a left side view thereof;
FIG. 3 is a right side view thereof;
FIG. 4 is a front view thereof;
FIG. 5 is a rear view thereof;
FIG. 6 is a top view thereof; and,
FIG. 7 is a bottom view thereof.
The broken lines in the drawings illustrate portions of the printer that form no part of the claimed design.

1 Claim, 7 Drawing Sheets



(56)

References Cited

U.S. PATENT DOCUMENTS

2012/0141184 A1* 6/2012 Chen B41J 2/325
400/242
2015/0225105 A1* 8/2015 Sakaino B65C 11/0289
118/712

* cited by examiner

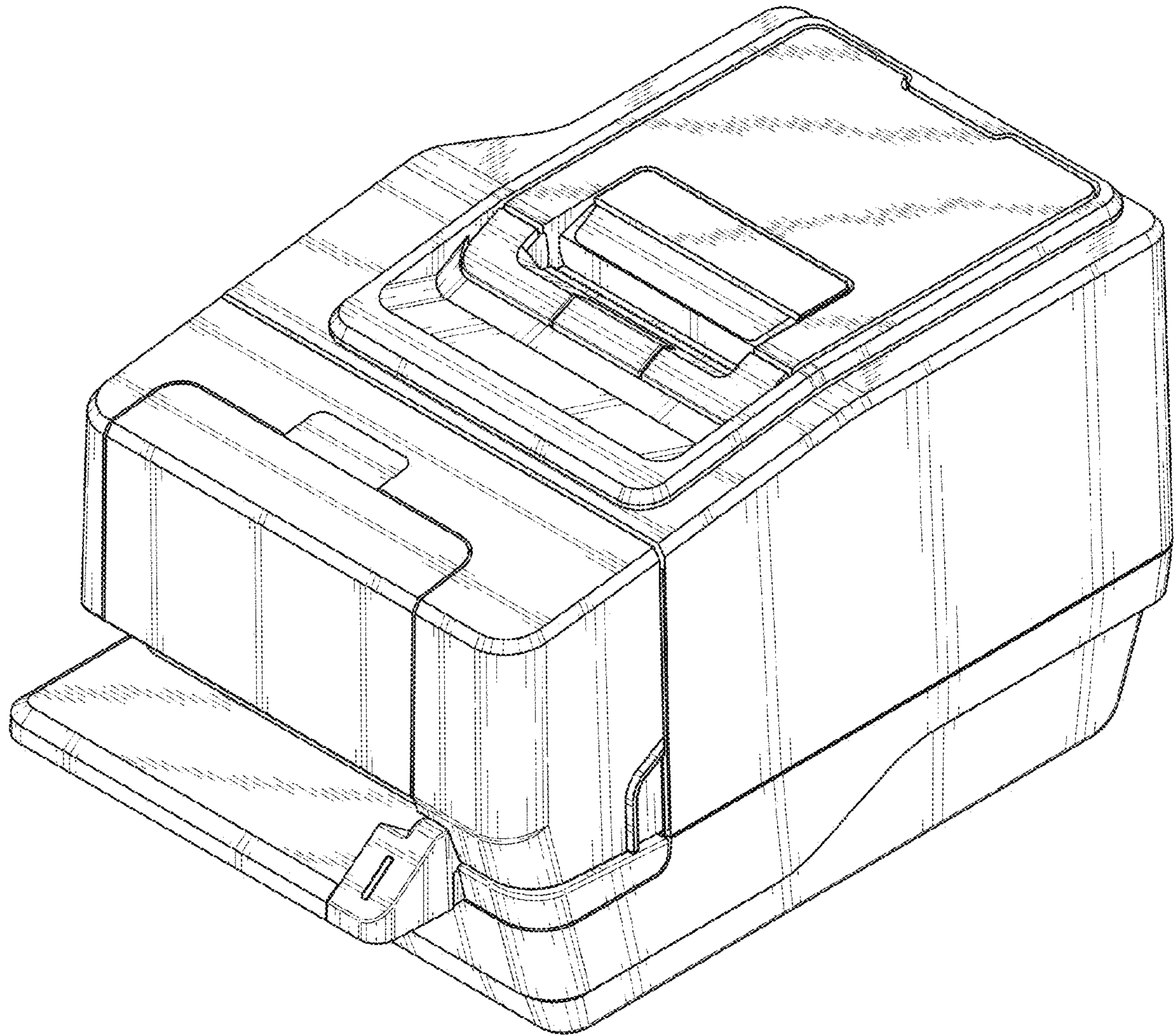


FIG. 1

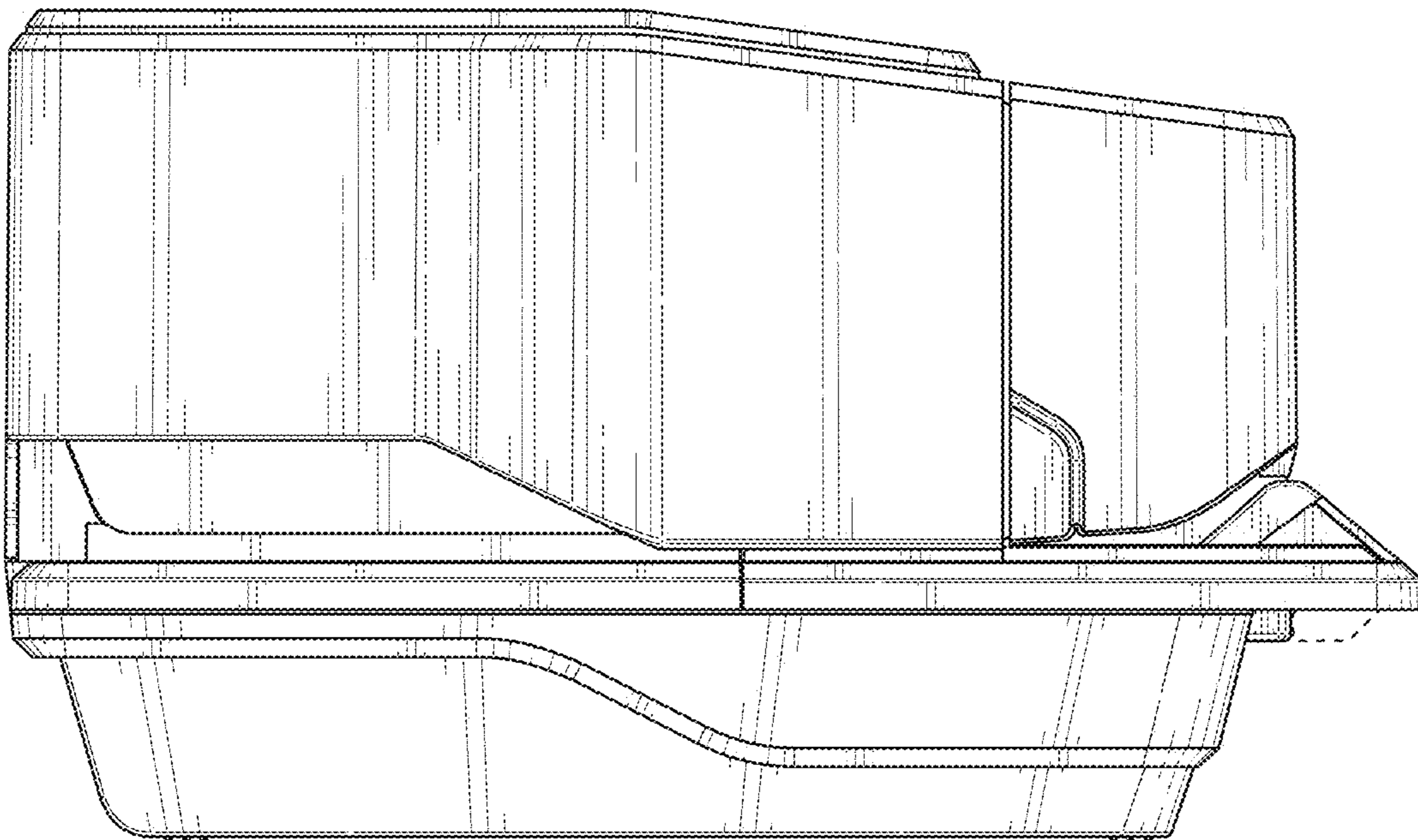


FIG. 2

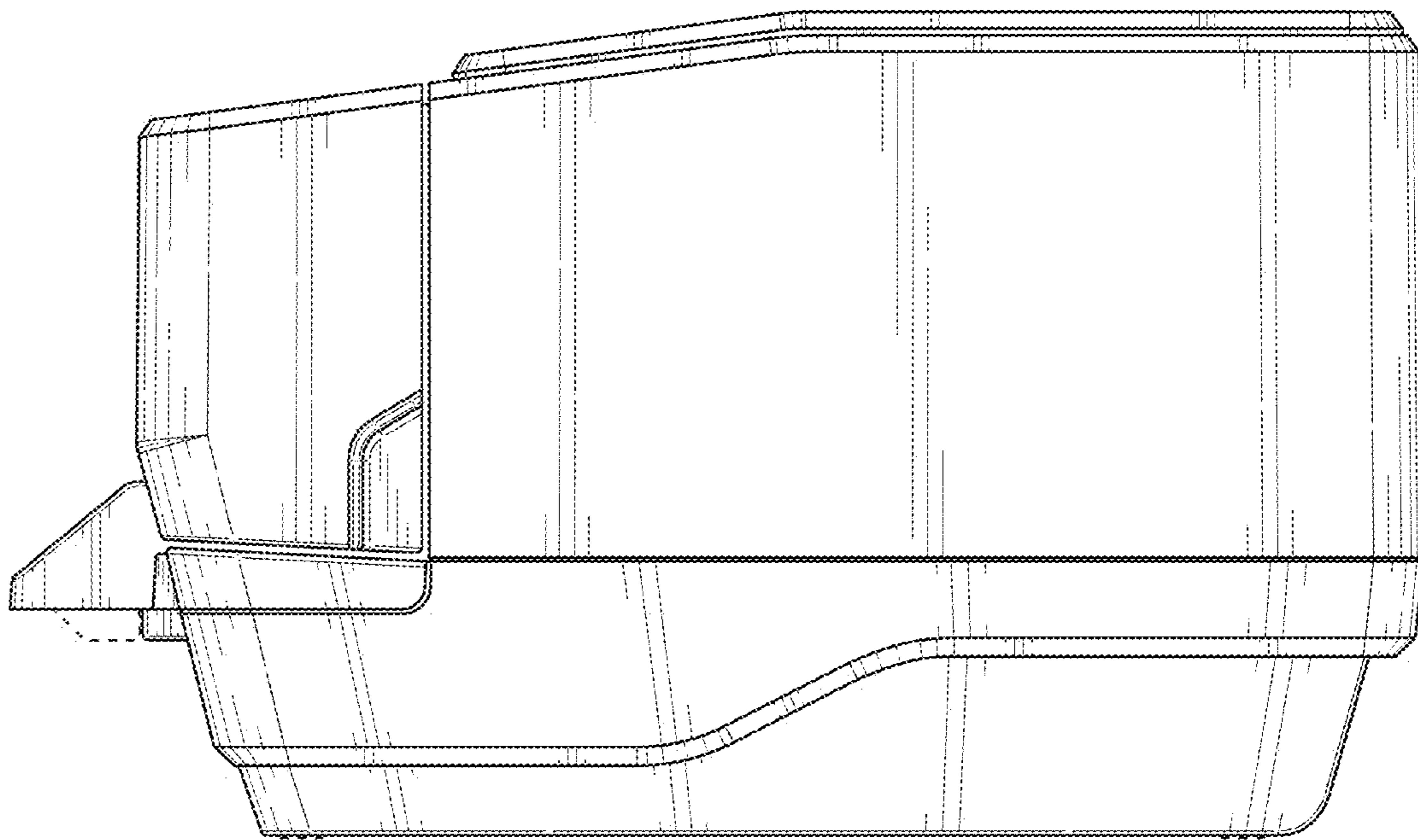


FIG. 3

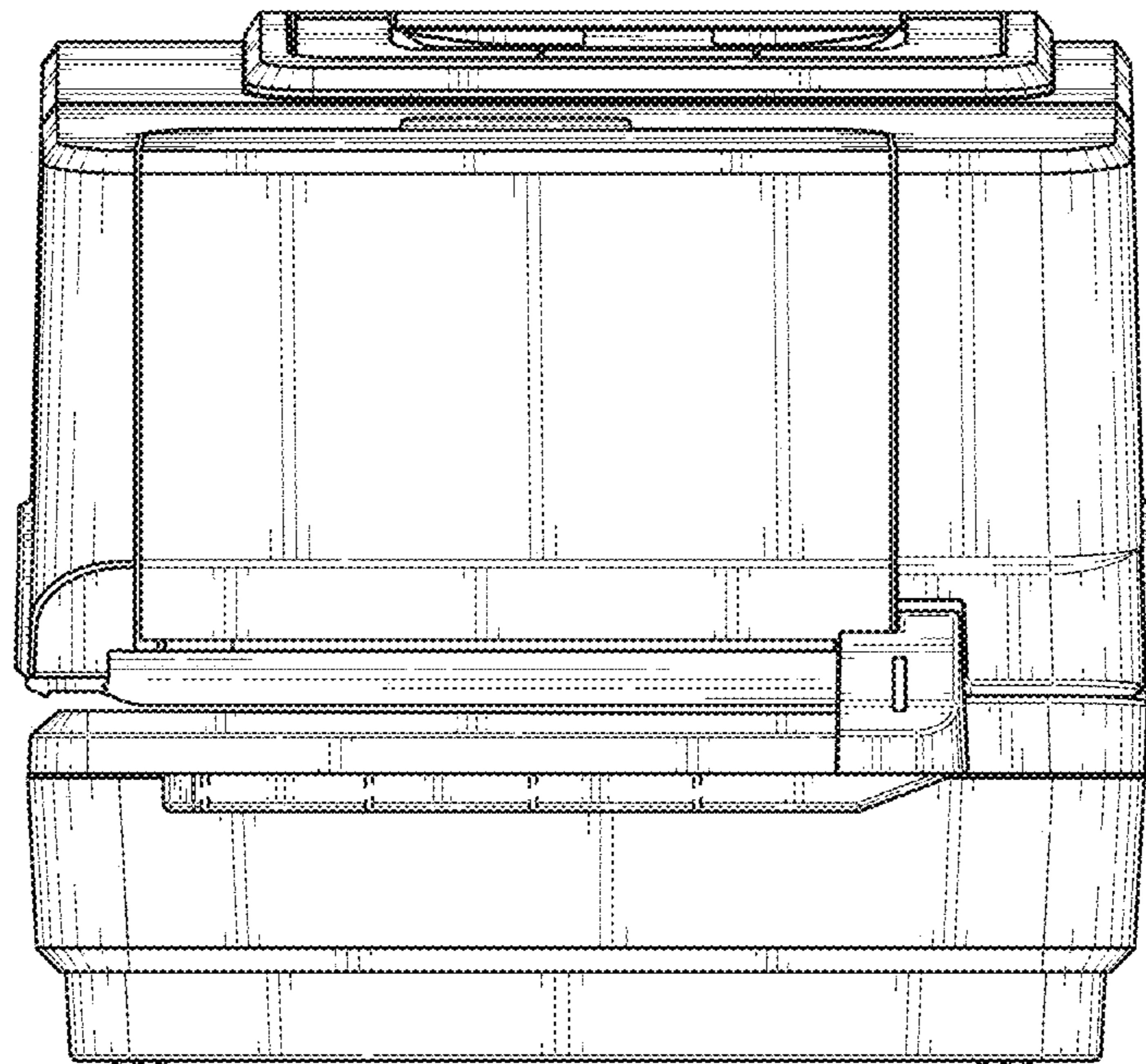


FIG. 4

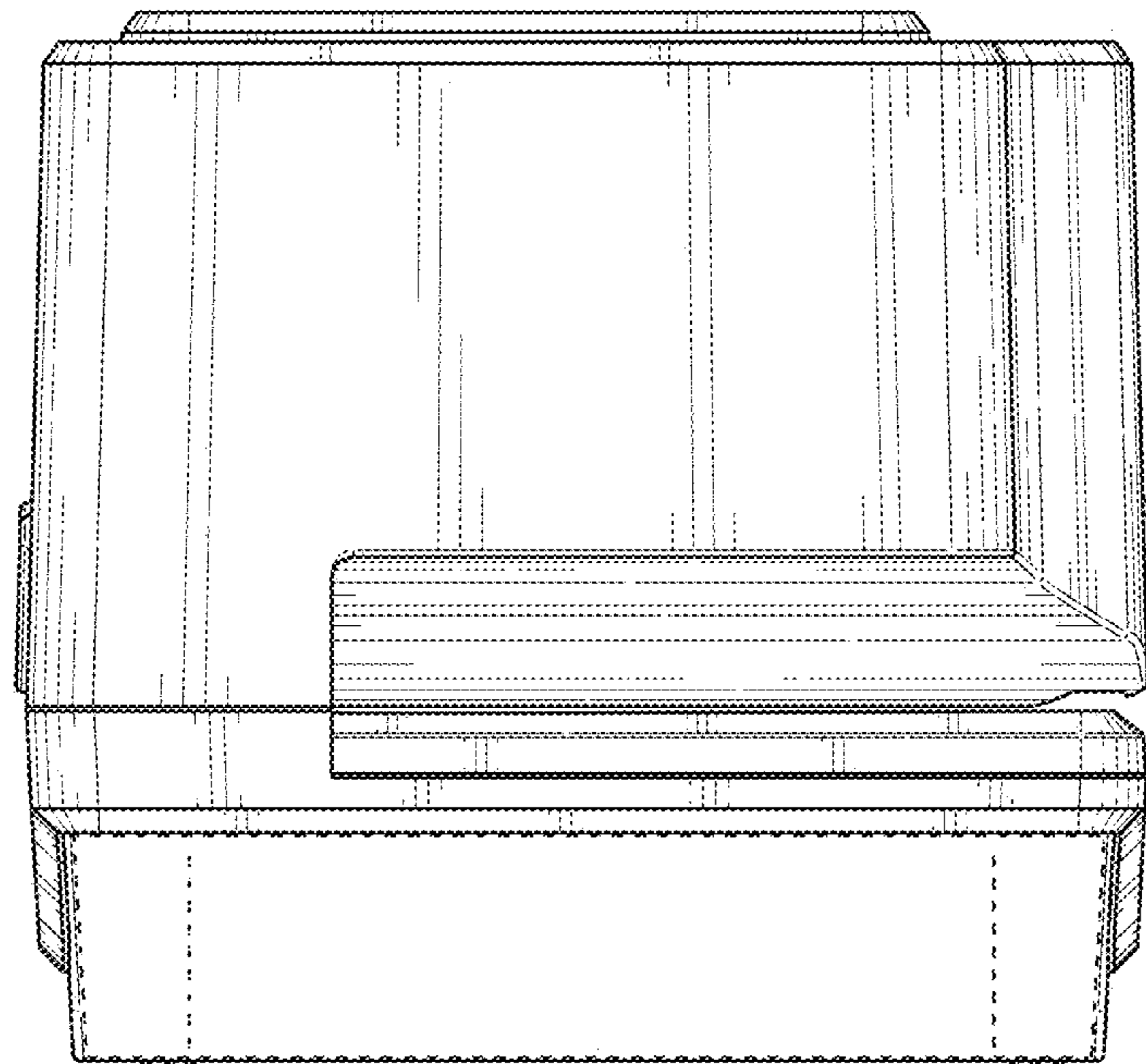


FIG. 5

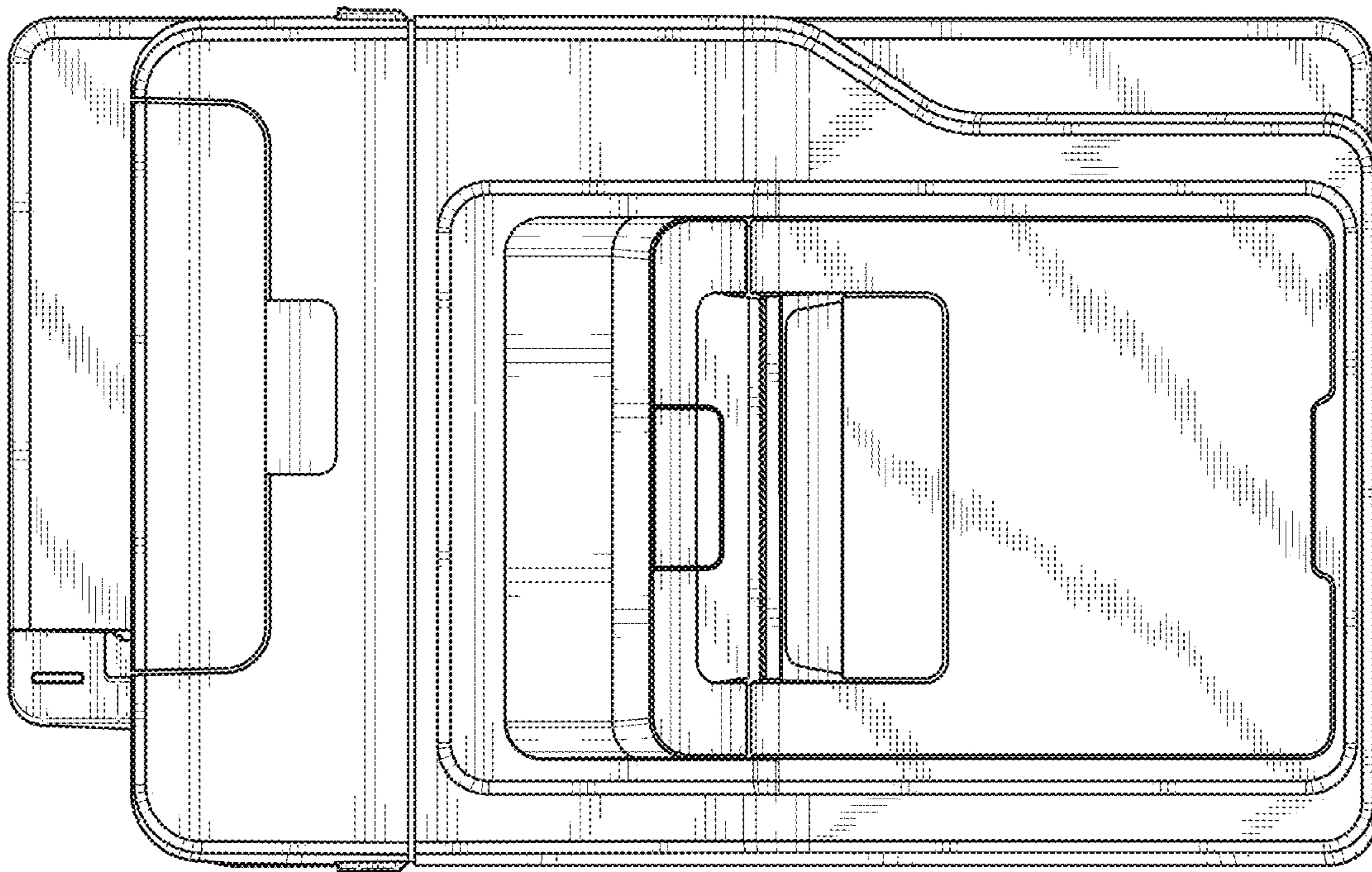


FIG. 6

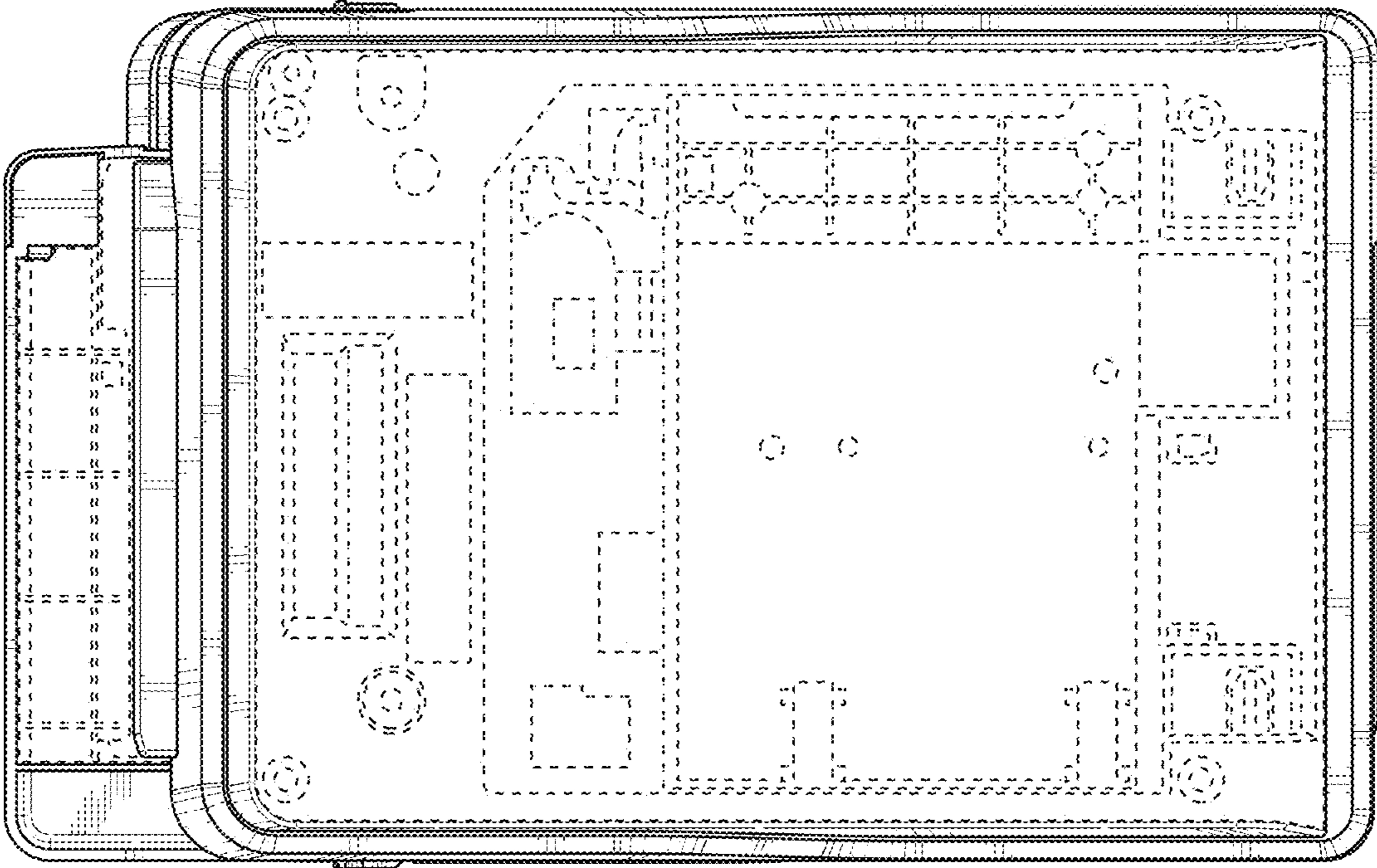


FIG. 7