

US00D888821S

(12) **United States Design Patent** (10) **Patent No.:** **US D888,821 S**  
**Liao** (45) **Date of Patent:** **\*\* Jun. 30, 2020**

(54) **MICRO PRINTER**

(71) Applicant: **SHENZHEN WONUODE INTELLIGENT TECHNOLOGY CO., LTD.**, Shenzhen (CN)

(72) Inventor: **Weitao Liao**, Shenzhen (CN)

(73) Assignee: **SHENZHEN WONUODE INTELLIGENT TECHNOLOGY CO., LTD.**, Shenzhen (CN)

(\*\*) Term: **15 Years**

(21) Appl. No.: **29/727,587**

(22) Filed: **Mar. 11, 2020**

(51) **LOC (12) Cl.** ..... **19-02**

(52) **U.S. Cl.**  
USPC ..... **D18/14**

(58) **Field of Classification Search**  
USPC ..... D18/14, 15, 16, 17, 18, 19, 50, 53, 55;  
D15/122, 135, 138, 141  
CPC ..... B41J 3/36; B41J 3/382; B41J 3/00; B41J 3/28; B41J 3/445; B41J 3/46; B41J 11/0045; B41J 2/3358; B41J 2/17513; B41J 2/17556; B41J 2/155; B41J 2/17596; B41J 2/16552; B41J 2/16541; B41J 2002/20; B41J 2002/14475; H04N 1/00204; H04N 1/00249; H04N 1/00278; G06K 15/12; G06K 15/14; B22F 3/105; B22F 3/008; B29C 35/00; B29C 35/02; B29C 35/04; B29C 35/06; B29C 35/08; B29C 35/10; B29C 35/12; B29C 35/14; B29C 35/16; B29C 35/18; B29C 37/00; B29C 37/02; B29C 37/04; B29C 67/00; B29C 67/02; B29C 67/04; B29C 67/06; B29C 67/08; B29C 67/20; B29C 67/24; B29C 69/00; B29C 69/02; B29C 70/00; B29C 70/02; B29C 70/04; B29C 70/06; B29C 70/08; B29C 70/10; B29C 70/12; B29C 70/14; B29C 70/16; B29C 70/18; B29C 70/20;

(Continued)

(56) **References Cited**

U.S. PATENT DOCUMENTS

D303,987 S \* 10/1989 Kato ..... D18/55  
D368,037 S \* 3/1996 Staubitz ..... D10/41

(Continued)

FOREIGN PATENT DOCUMENTS

CN 305010703 \* 1/2019  
GB 6074177 \* 10/2019

(Continued)

OTHER PUBLICATIONS

Di Mello's Outlet. Link: [https://dimellosoutlet.com/products/palmprinter-handheld-inkjet-color-printer?variant=33390821736584&currency=USD&gclid=EAlalQobChMl0l2Lt11C26QIVdotaBR18tgDCEAQYCSABEgKZJvD\\_BwE](https://dimellosoutlet.com/products/palmprinter-handheld-inkjet-color-printer?variant=33390821736584&currency=USD&gclid=EAlalQobChMl0l2Lt11C26QIVdotaBR18tgDCEAQYCSABEgKZJvD_BwE). Visited May 15, 2020. Palm printer handheld inkjet color printer. (Year: 2020).\*

(Continued)

*Primary Examiner* — Lauren D McVey

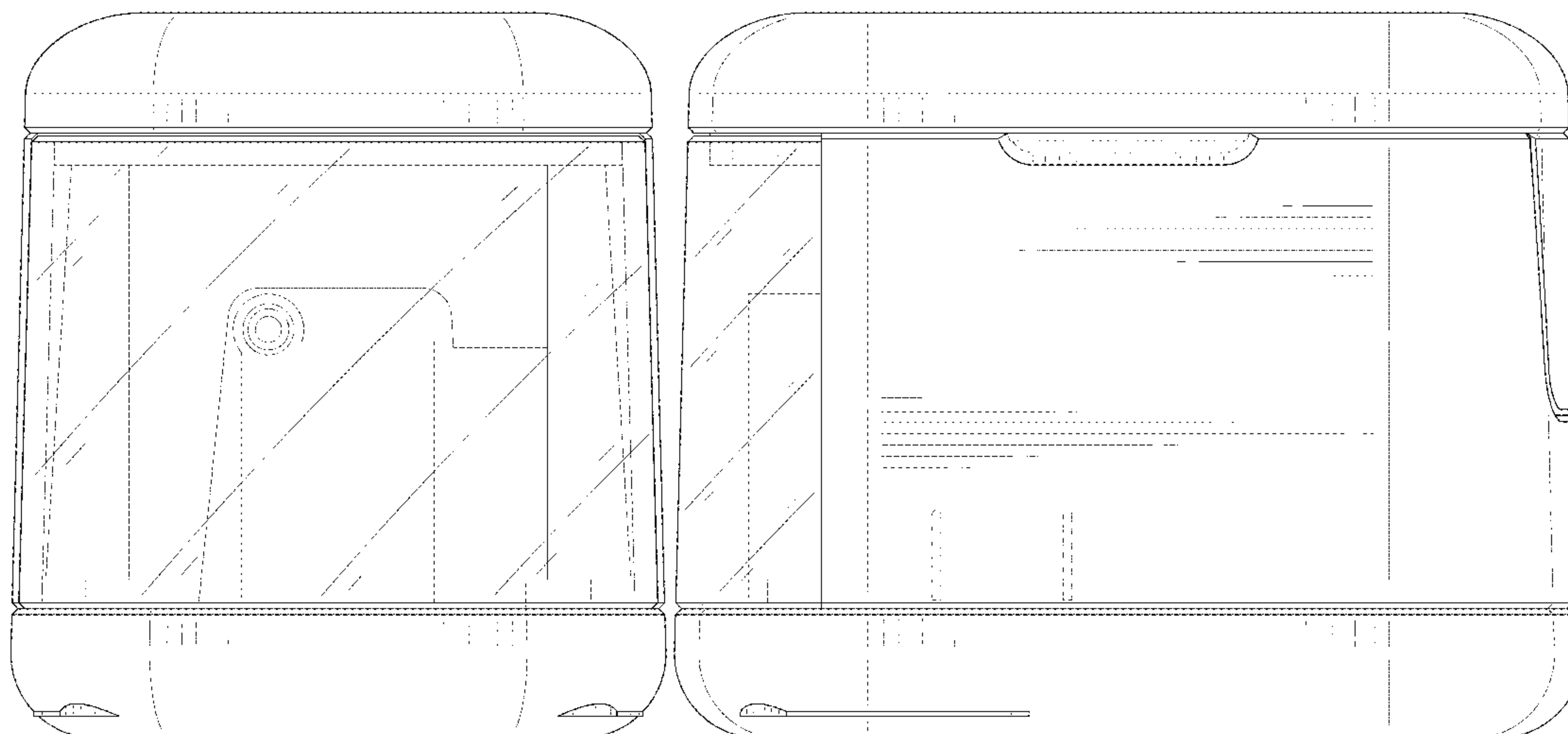
(57) **CLAIM**

The ornamental design for a micro printer, as shown and described.

**DESCRIPTION**

FIG. 1 is a perspective view of a micro printer showing my new design;  
FIG. 2 is another perspective view thereof;  
FIG. 3 is a front elevational view thereof;  
FIG. 4 is a rear elevational view thereof;  
FIG. 5 is a left side elevational view thereof;  
FIG. 6 is a right side elevational view thereof;  
FIG. 7 is a top plan view thereof; and,  
FIG. 8 is a bottom plan view thereof.  
The broken lines in the drawings depict boundaries of the micro printer that form no part of the claimed design.

**1 Claim, 8 Drawing Sheets**



(58) **Field of Classification Search**

CPC ..... B29C 70/22; B29C 70/24; B29C 70/26;  
B29C 70/28; B29C 41/12; B29C 41/36;  
B29C 67/0081; B29K 2995/0021

See application file for complete search history.

(56) **References Cited**

U.S. PATENT DOCUMENTS

D685,413 S \* 7/2013 Jihoon ..... D18/50  
D736,838 S \* 8/2015 Costabeber ..... D15/122  
D751,141 S \* 3/2016 Minamide ..... D18/50  
D757,132 S \* 5/2016 Liu ..... D15/122  
D771,164 S \* 11/2016 Noorazar ..... D15/122  
D800,210 S \* 10/2017 Kamei ..... D18/14  
D809,574 S \* 2/2018 Lin ..... D15/122  
D815,683 S 4/2018 Tanaka  
D816,156 S 4/2018 Tanaka  
D816,765 S 5/2018 Kim et al.  
D826,296 S \* 8/2018 Noorazar ..... D15/122

D829,277 S \* 9/2018 Seki ..... D18/50  
D841,702 S \* 2/2019 Moroni ..... D15/122  
D859,517 S \* 9/2019 Meyer ..... D18/19

FOREIGN PATENT DOCUMENTS

JP 2008024441 A \* 2/2008 ..... B65H 39/0623  
JP 2008049624 A \* 3/2008 ..... B41J 29/13  
JP D1479653 \* 9/2013

OTHER PUBLICATIONS

Ali Express. Link: <https://www.aliexpress.com/item/4000771572636.html?channel=twinner>. Visited May 15, 2020. Mbrush Portable Mobile Color Mini Handheld Printer WIFI USB for ios Android tattoo logo wireless Bluetooth A4 inkjet printer. (Year: 2020).\*  
New Atlas. Link: <https://newatlas.com/printbrush-xdr-handheld-inkjet-printer/57781/>. Dec. 21, 2018. Handheld inkjet printer applies color graphics to all sorts of surfaces. (Year: 2018).\*

\* cited by examiner

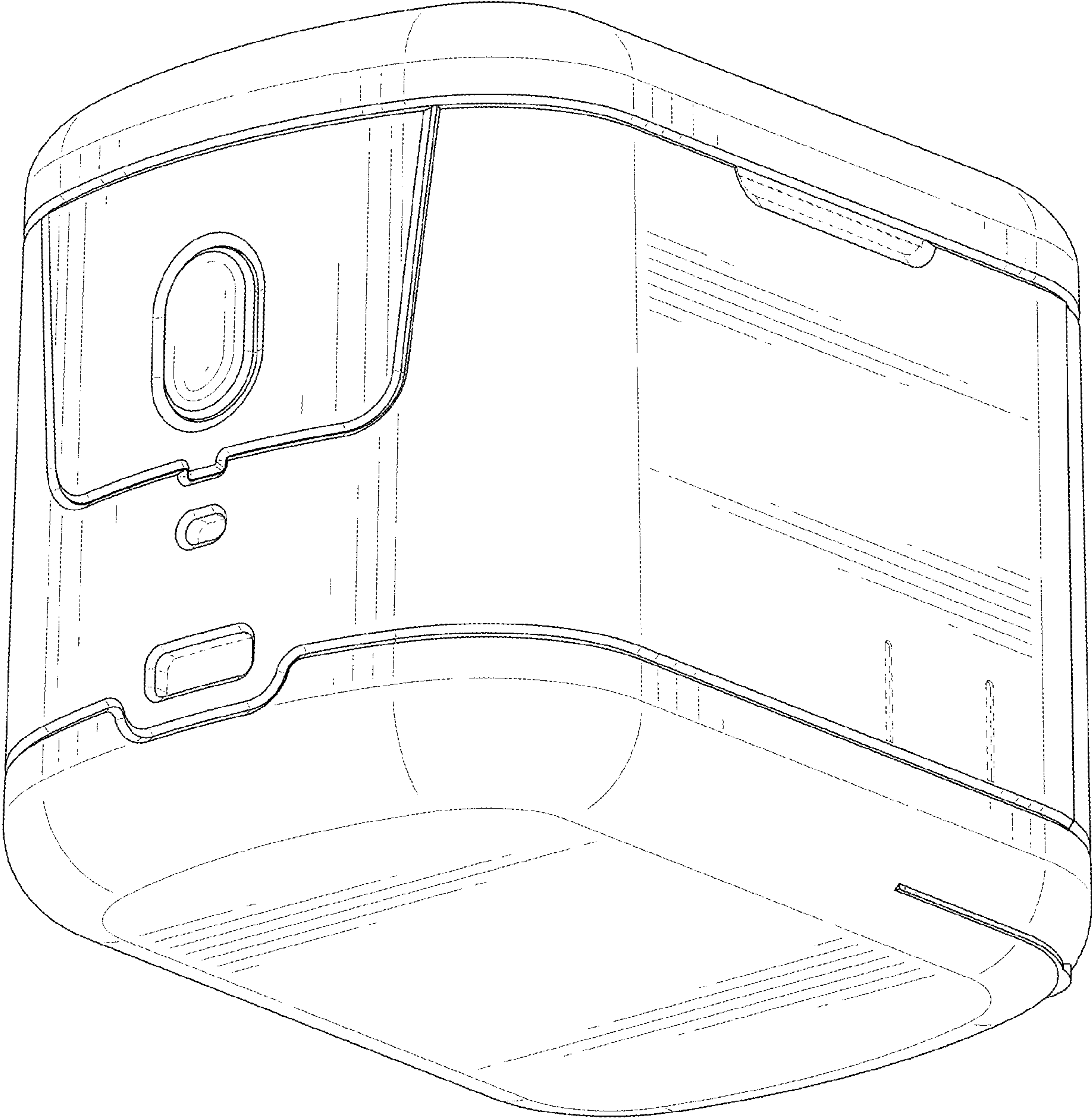


FIG. 1



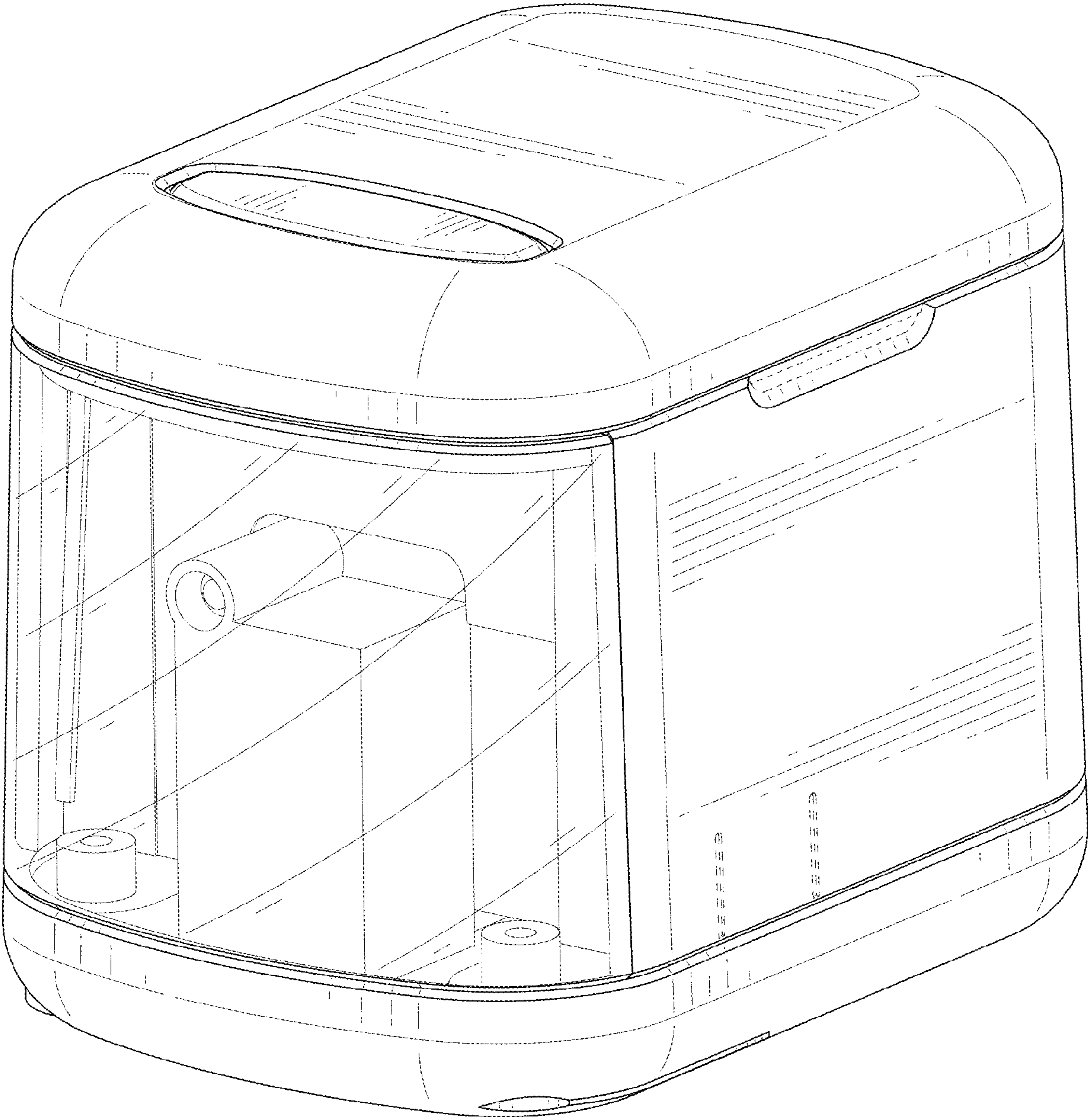


FIG. 2

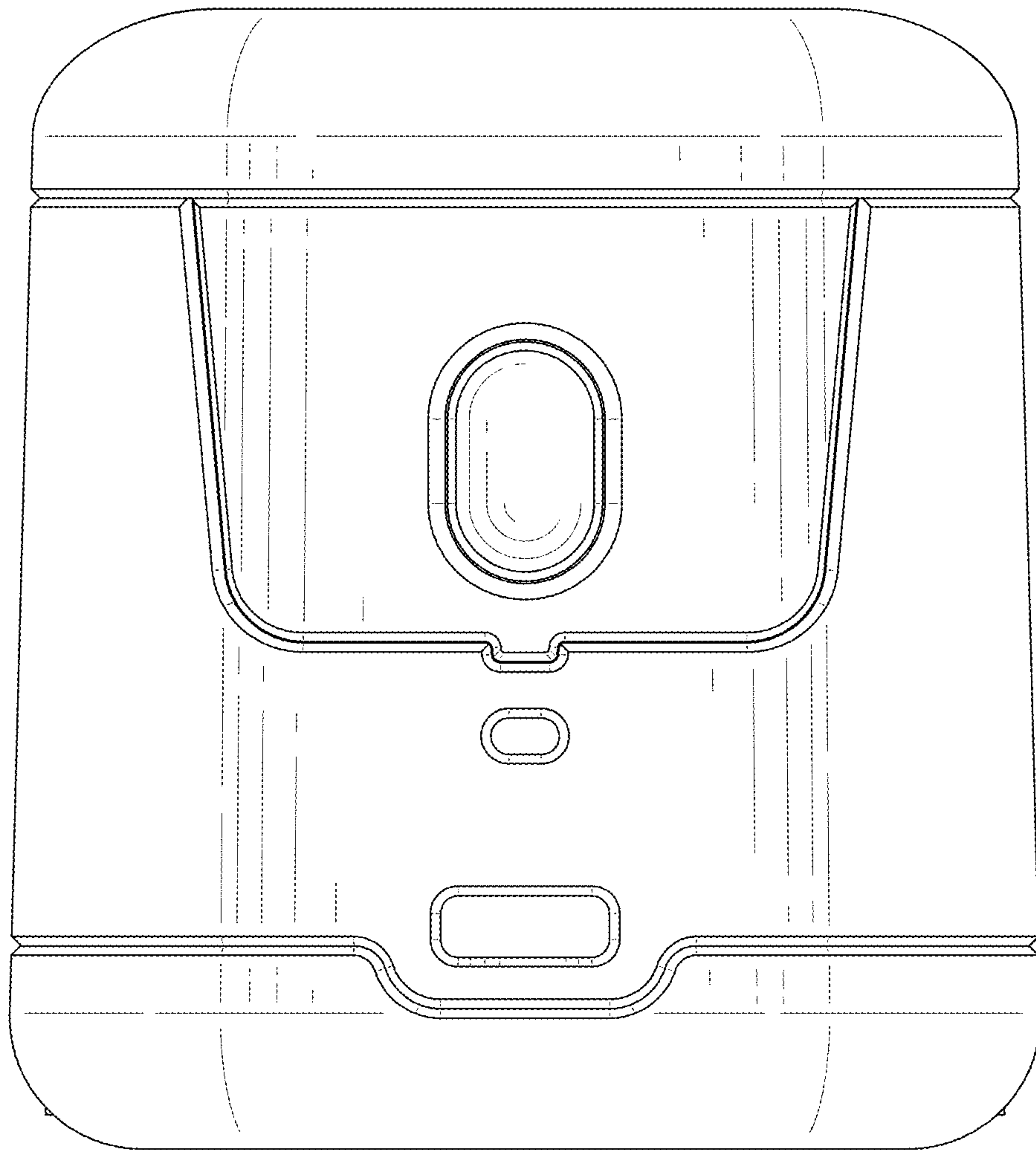


FIG. 3

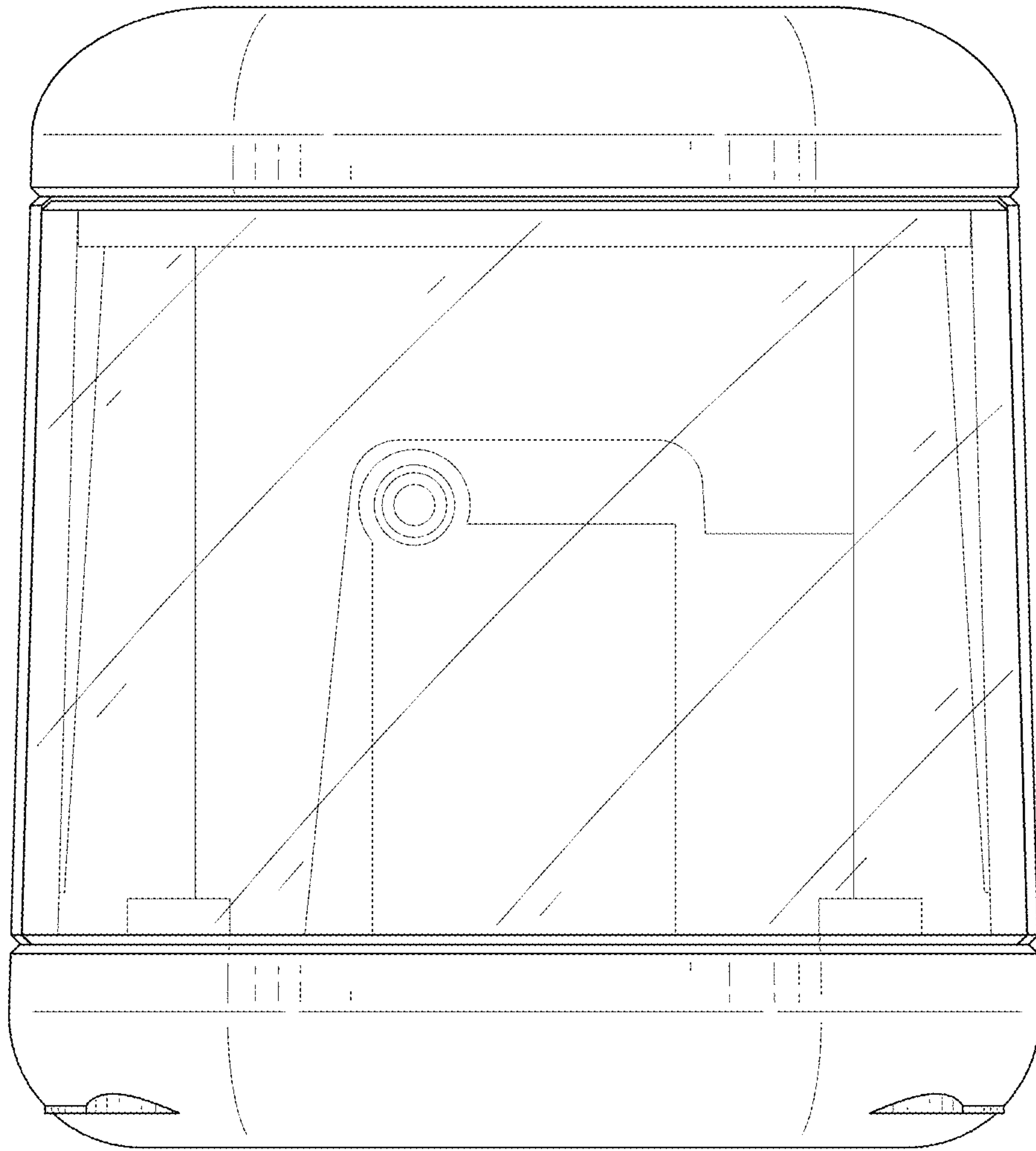


FIG. 4

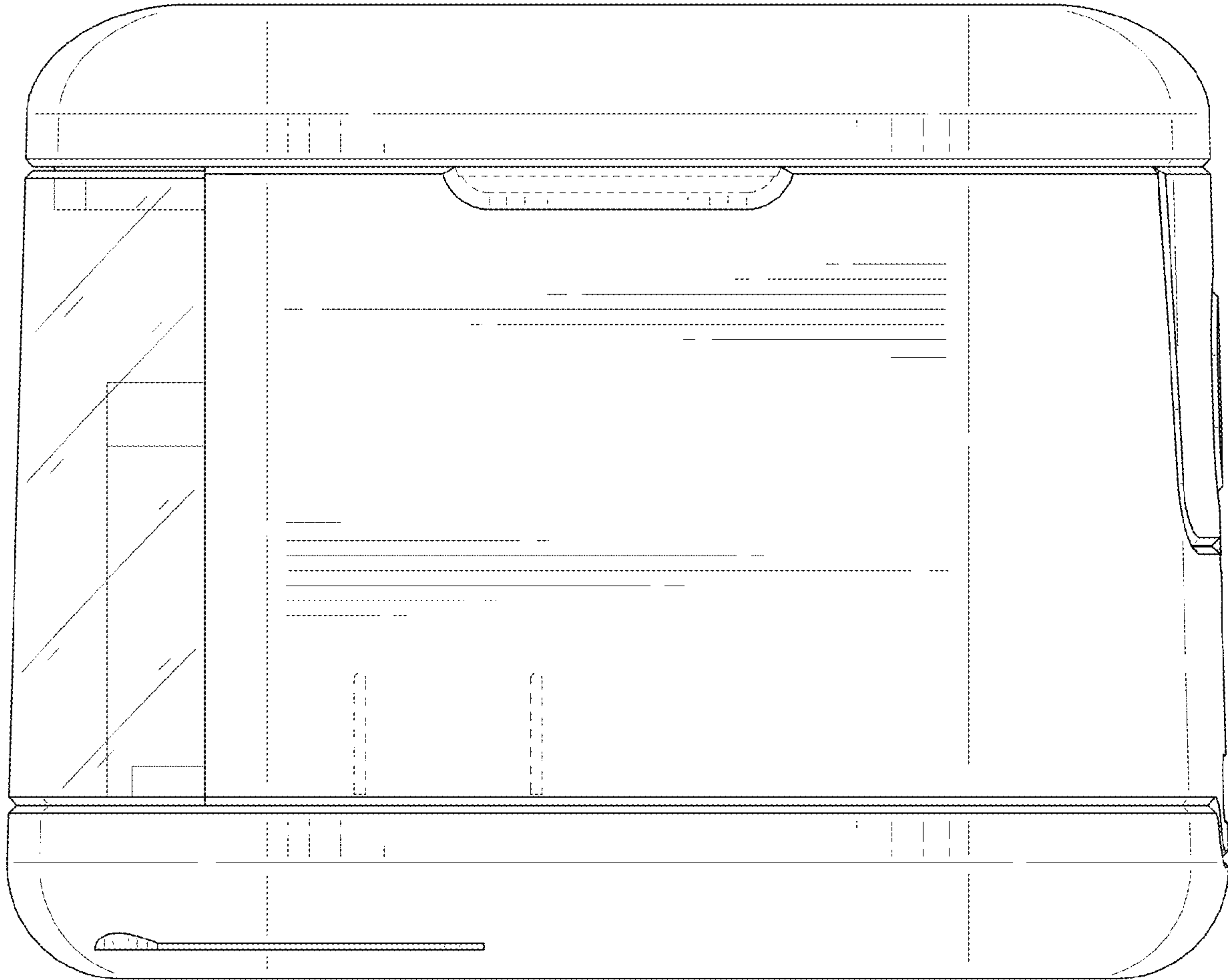


FIG. 5

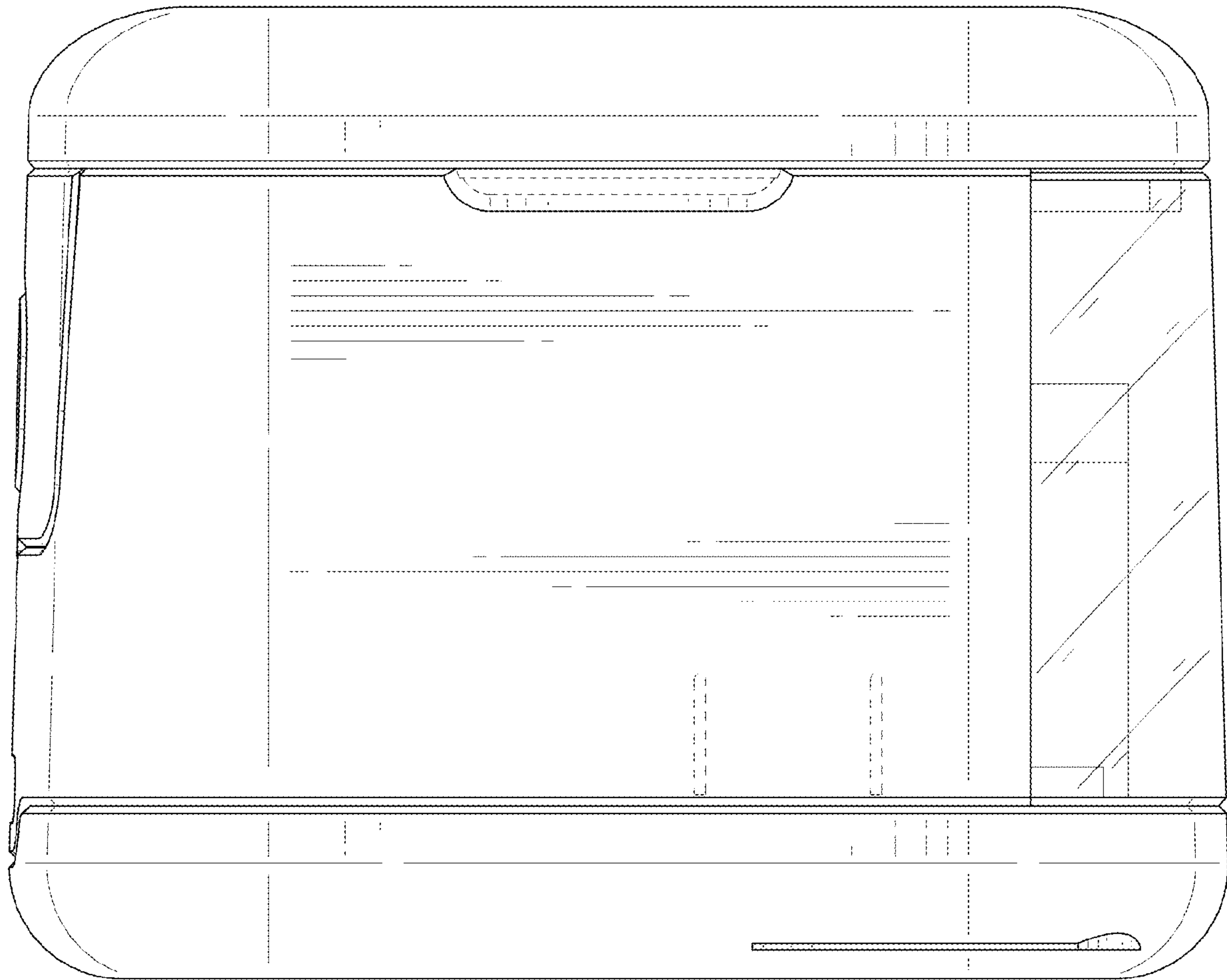


FIG. 6



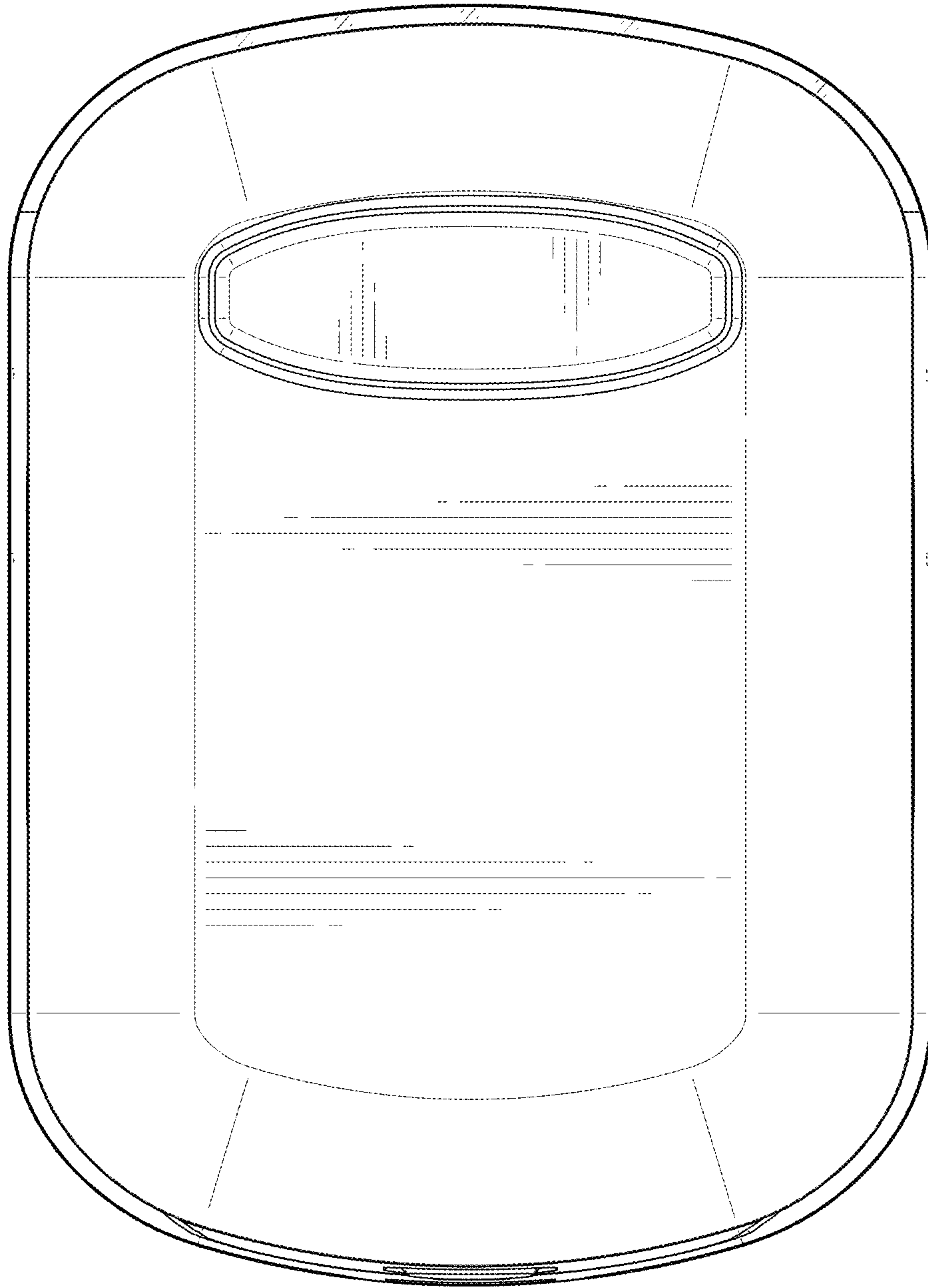


FIG. 7

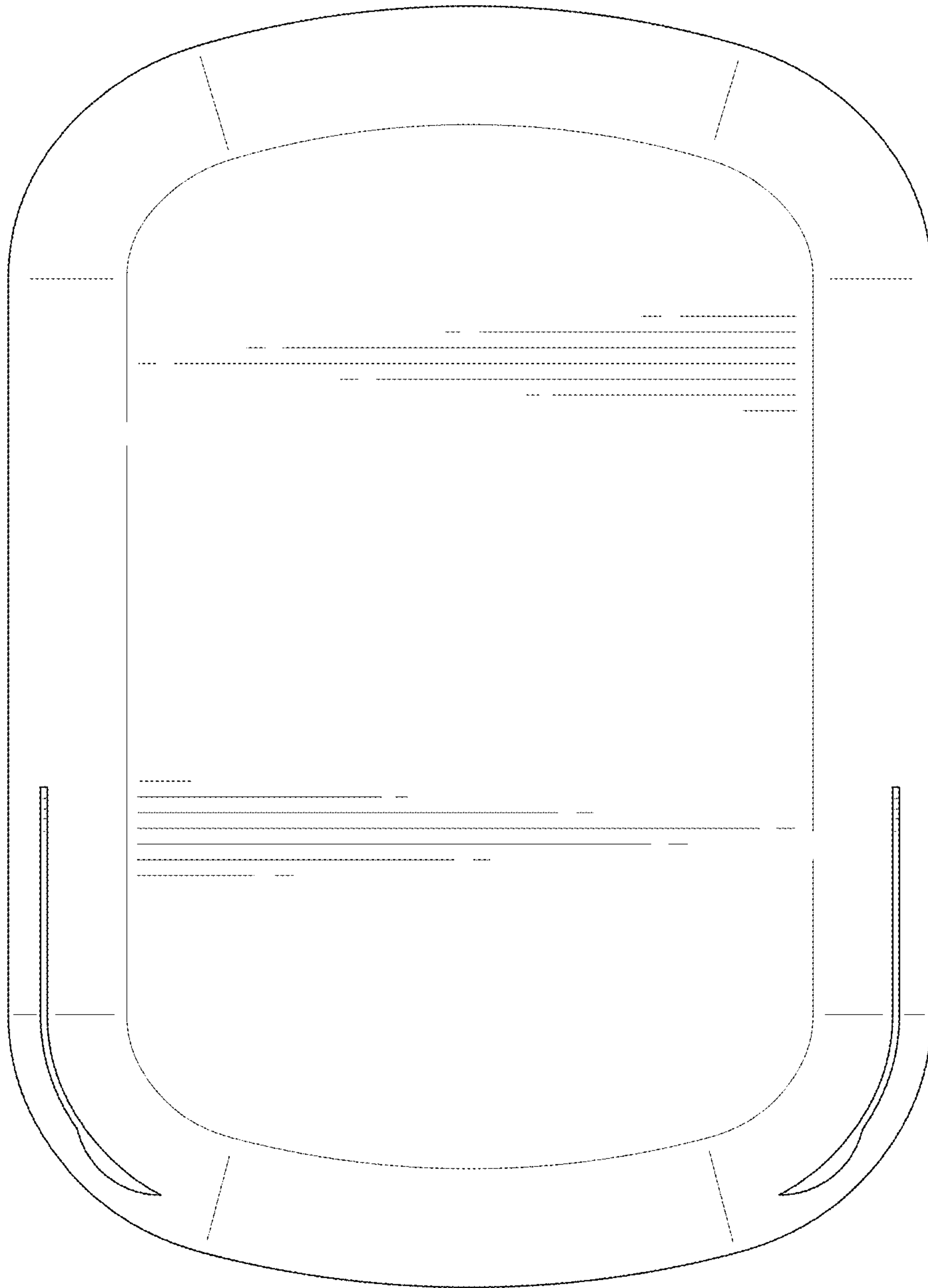


FIG. 8