



US00D888814S

(12) **United States Design Patent**
Chen

(10) **Patent No.:** **US D888,814 S**
(45) **Date of Patent:** **** Jun. 30, 2020**

(54) **FOLDABLE PROFESSIONAL CAMERA TRIPOD**

(71) Applicant: **Shenzhen Jike Digital Technology Co., Ltd.**, Shenzhen, Guangdong (CN)

(72) Inventor: **Zhuangxiaoyi Chen**, Guangdong (CN)

(**) Term: **15 Years**

(21) Appl. No.: **29/721,234**

(22) Filed: **Jan. 19, 2020**

(51) **LOC (12) Cl.** **16-05**

(52) **U.S. Cl.**
USPC **D16/244**

(58) **Field of Classification Search**
USPC D16/237–250; D8/354, 355, 363, 373,
D8/382, 383, 394, 396; D14/224, 229,
D14/238, 251, 253
CPC G03B 17/56; G03B 17/561–566; F16M
11/14

See application file for complete search history.

(56) **References Cited**

U.S. PATENT DOCUMENTS

D222,596 S *	11/1971	Leubner	D16/244
D257,260 S *	10/1980	Shiraishi	D16/244
D257,261 S *	10/1980	Shinohara	D16/244
D258,661 S *	3/1981	Shiraishi	D16/244
D263,147 S *	2/1982	Iwasaki	D16/244
D269,880 S *	7/1983	Iwasaki	D16/244
4,697,772 A *	10/1987	Kosugi	F16M 11/105 248/183.3
D326,105 S *	5/1992	Doi	D16/244
D335,298 S *	5/1993	Hanke	D16/244
D607,037 S *	12/2009	Lee	D16/244
D718,365 S	11/2014	Kim et al.		
D807,421 S *	1/2018	Yin	D16/244
D829,266 S *	9/2018	Zeng	D16/244

D829,267 S *	9/2018	Zeng	D16/244
D857,084 S *	8/2019	Chen	D16/244
D860,299 S *	9/2019	Li	D16/244
D864,282 S *	10/2019	Liu	D16/244
2009/0250567 A1 *	10/2009	Raynaud	F16M 11/16 248/168
2015/0338017 A1 *	11/2015	De Faveri	F16M 11/16 396/428

* cited by examiner

Primary Examiner — Vy N Koenig
(74) *Attorney, Agent, or Firm* — ZANIP

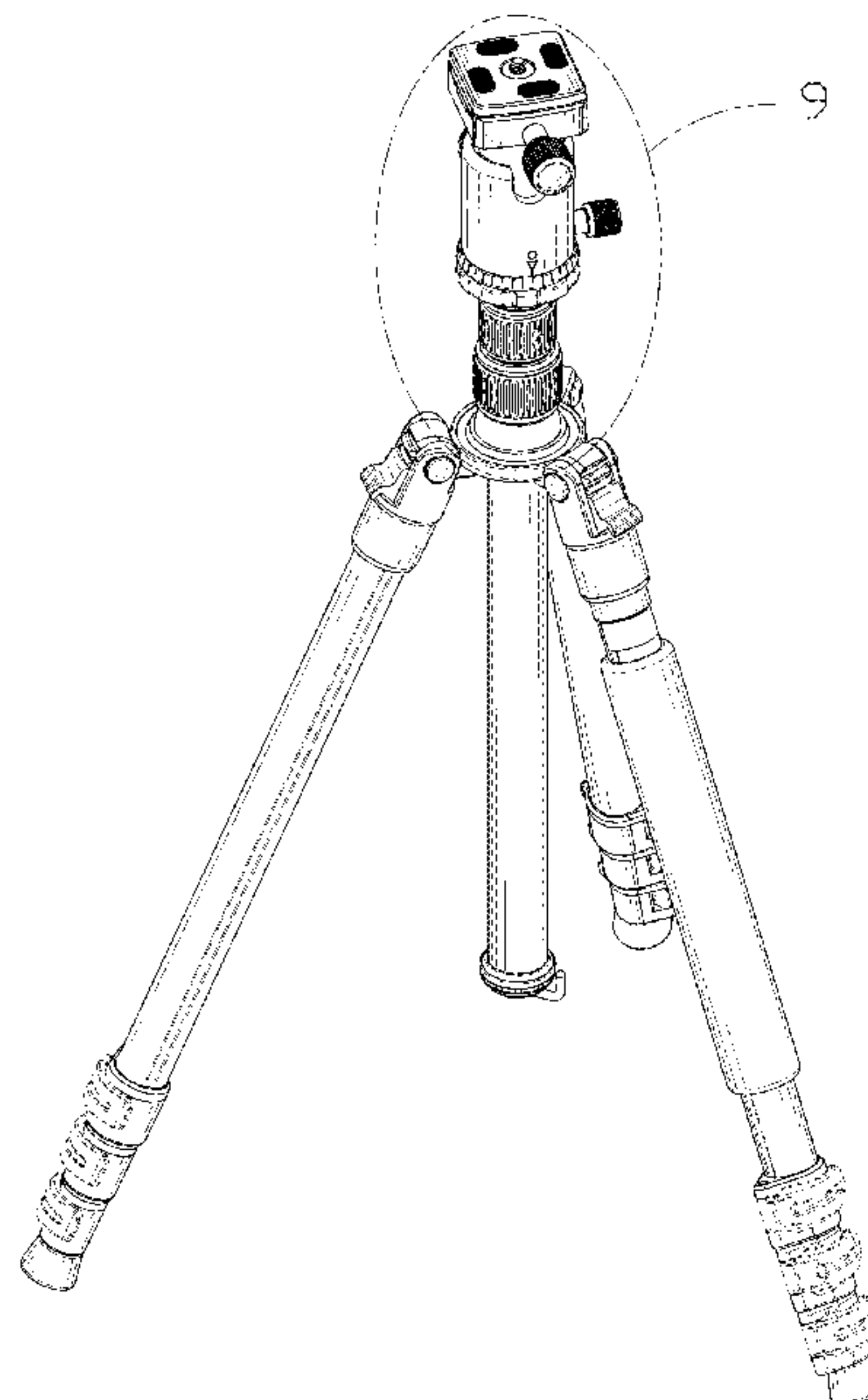
(57) **CLAIM**

The ornamental design for a foldable professional camera tripod, as shown and described.

DESCRIPTION

FIG. 1 is a front and top perspective view of a foldable professional camera tripod, showing my new design; FIG. 2 is a rear and bottom perspective view thereof; FIG. 3 is a front elevational view thereof; FIG. 4 is a rear elevational view thereof; FIG. 5 is a left side elevational view thereof; FIG. 6 is a right side elevational view thereof; FIG. 7 is a top plan view thereof; FIG. 8 is a bottom plan view thereof; FIG. 9 is an enlarged view of a portion indicated in FIG. 1; and, FIG. 10 is an enlarged view of a portion indicated in FIG. 2. The broken lines in the figures illustrate portions of the foldable professional camera tripod that form no part of the claimed design. The dash dot dash lines in FIGS. 1, 2, 9 and 10 are for the purpose of depicting the cut line of the enlarged view and form no part of the claim.

1 Claim, 10 Drawing Sheets



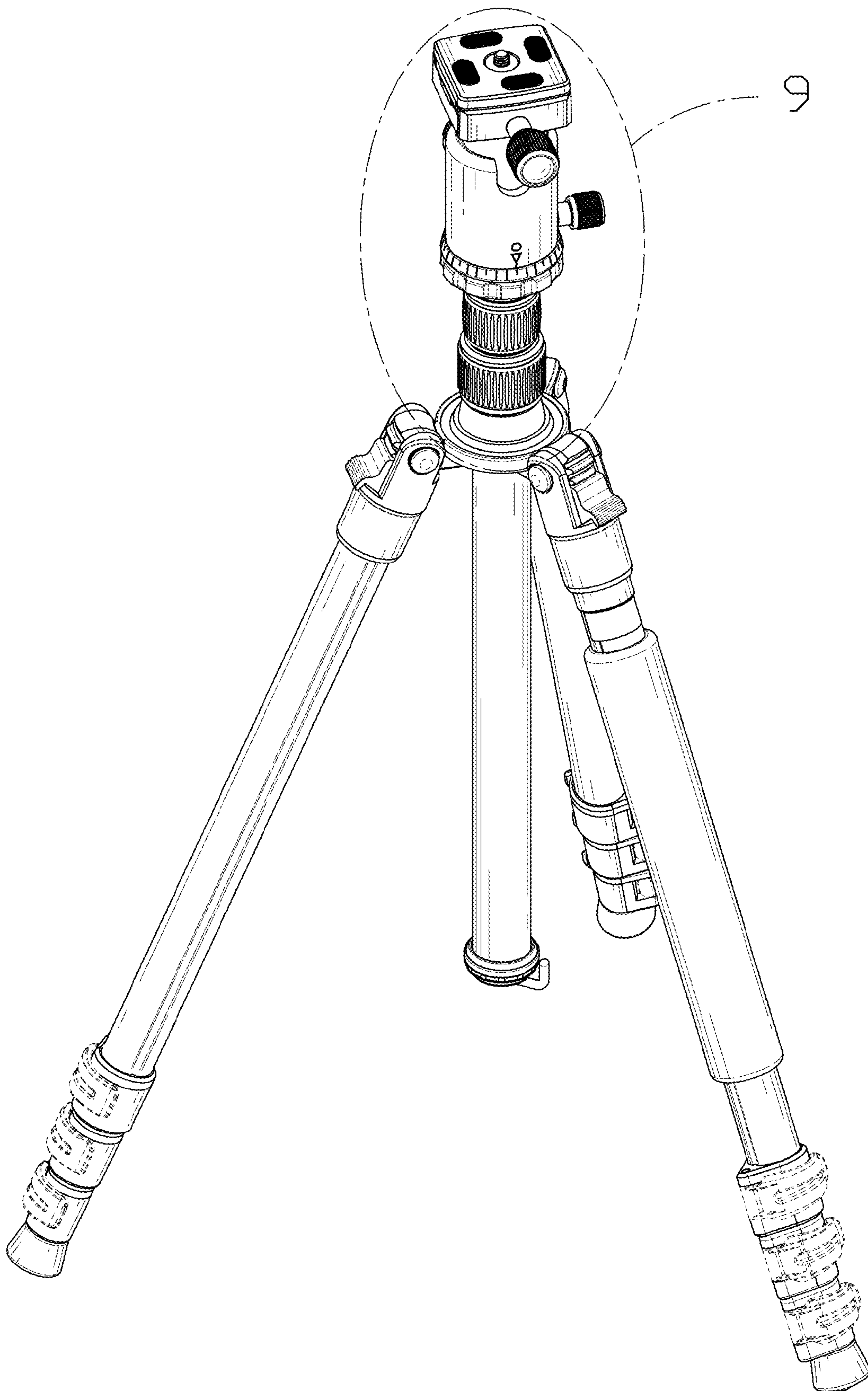


FIG. 1

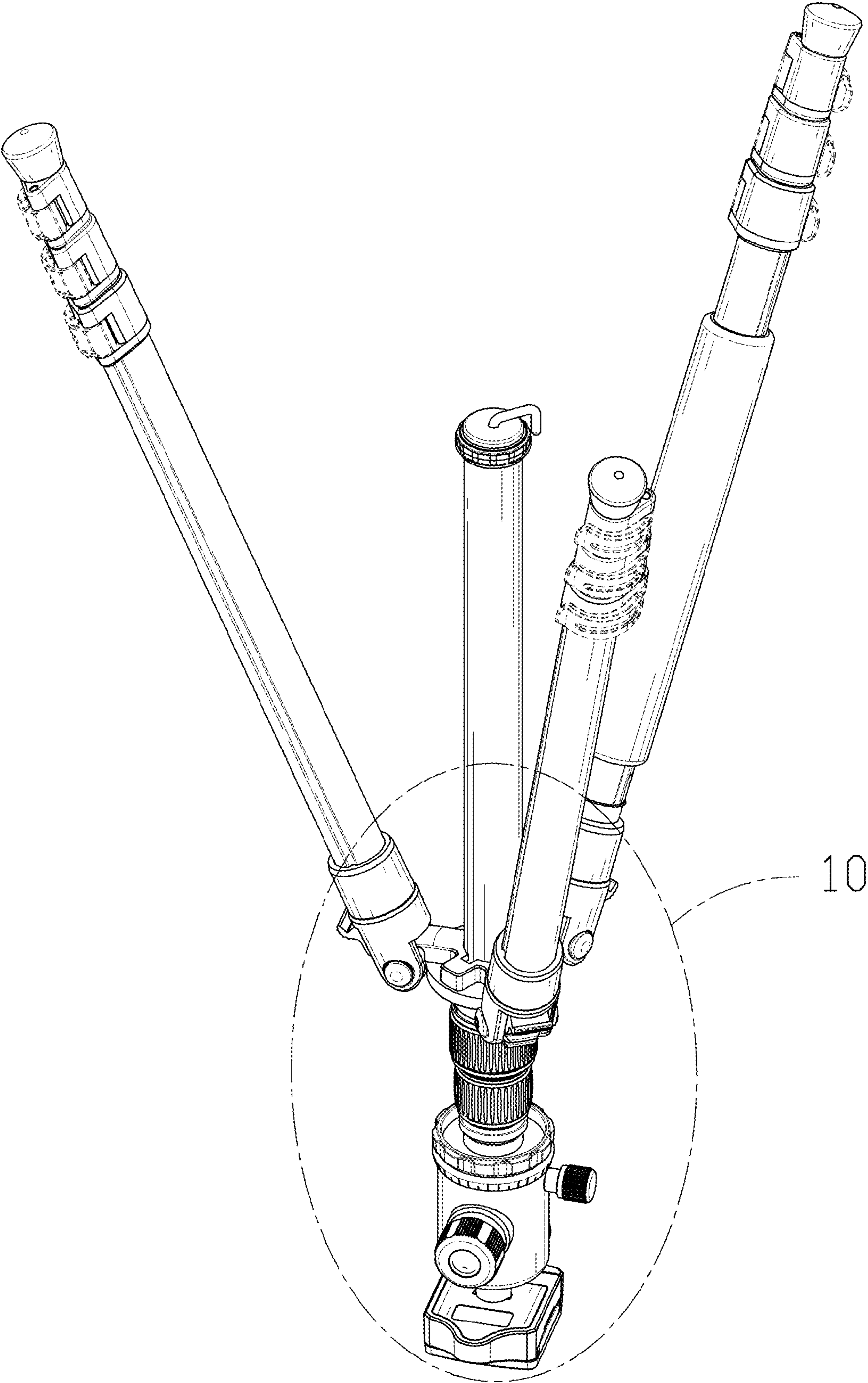


FIG. 2

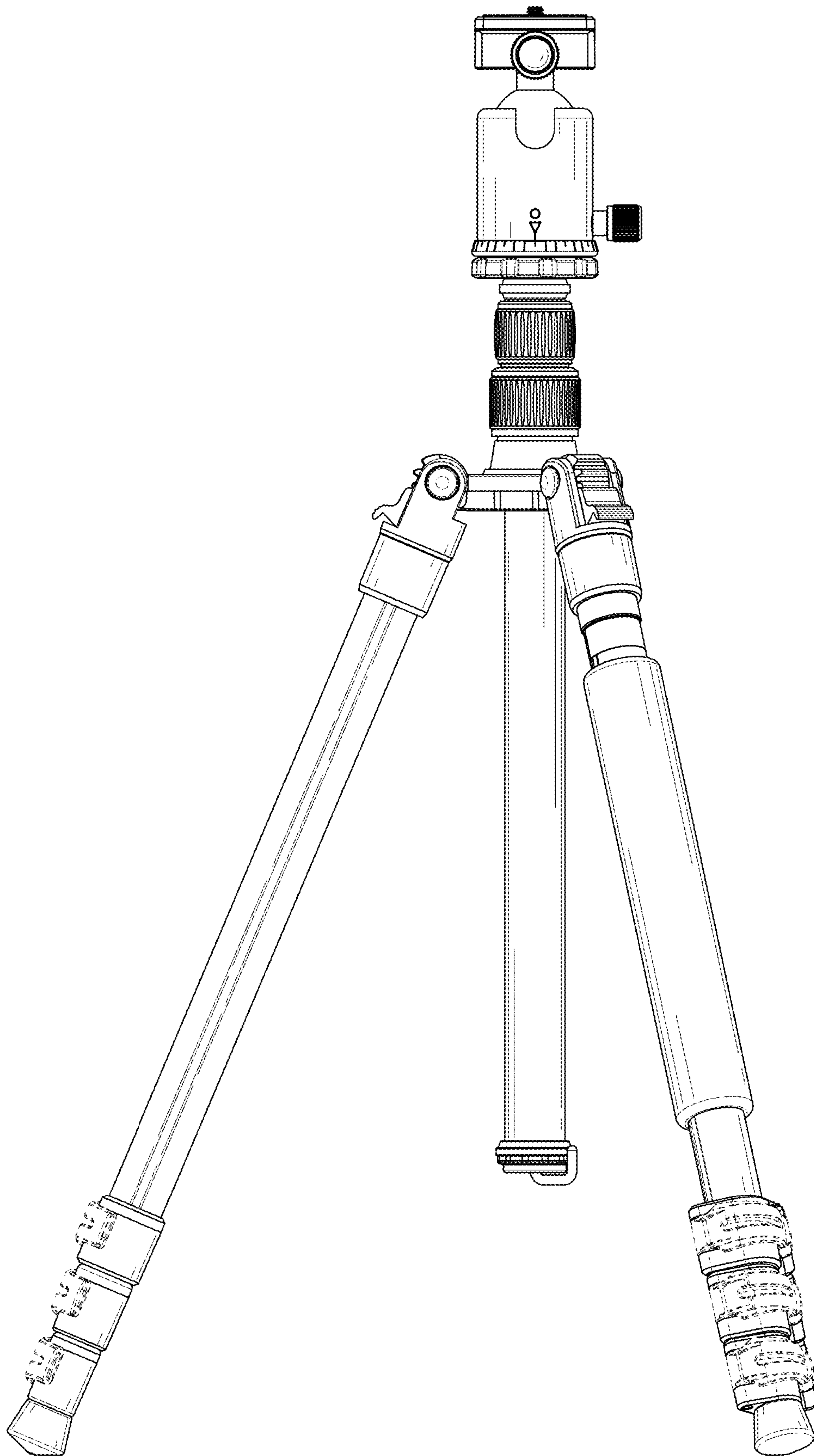


FIG. 3

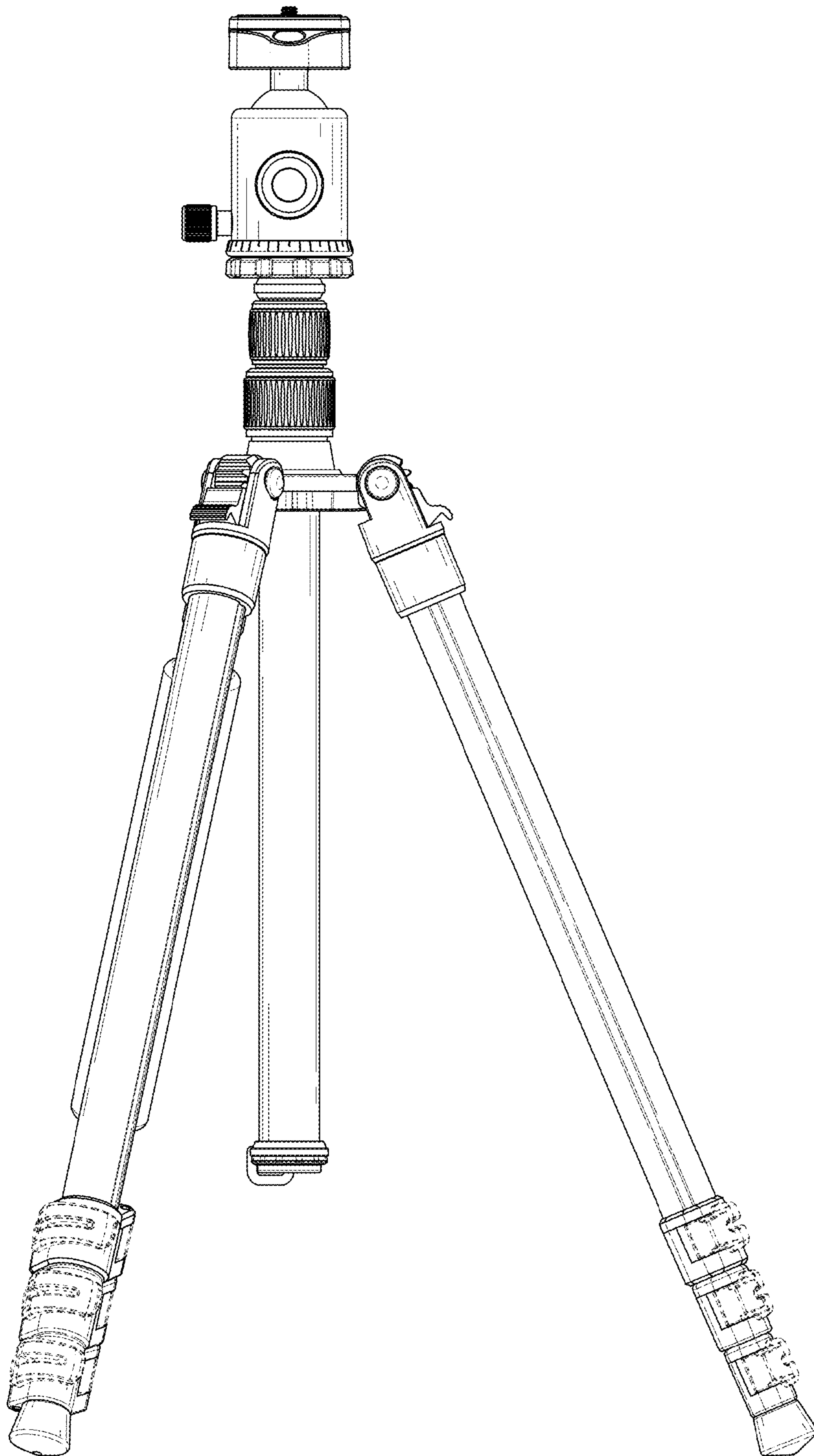


FIG. 4

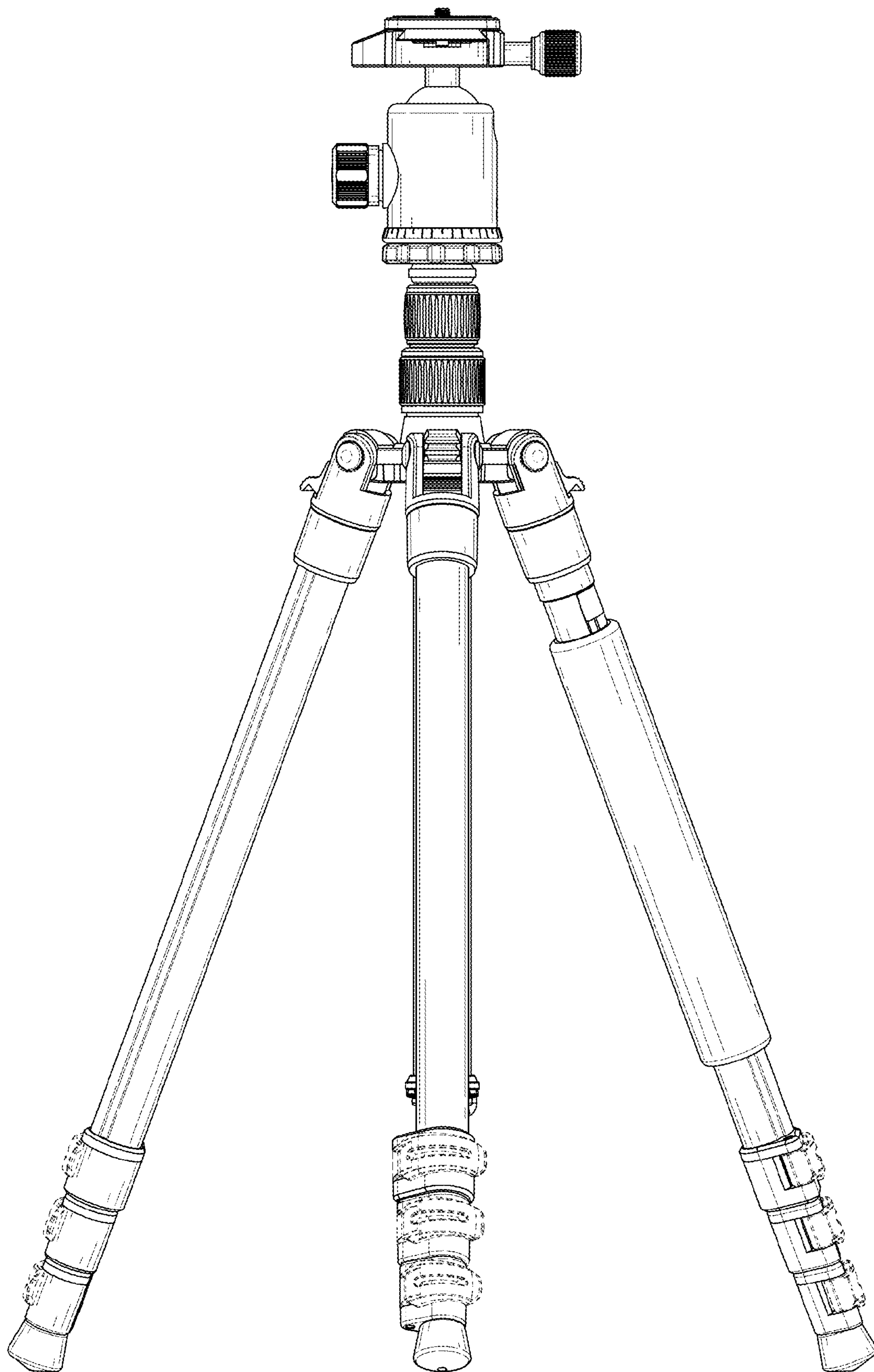


FIG. 5

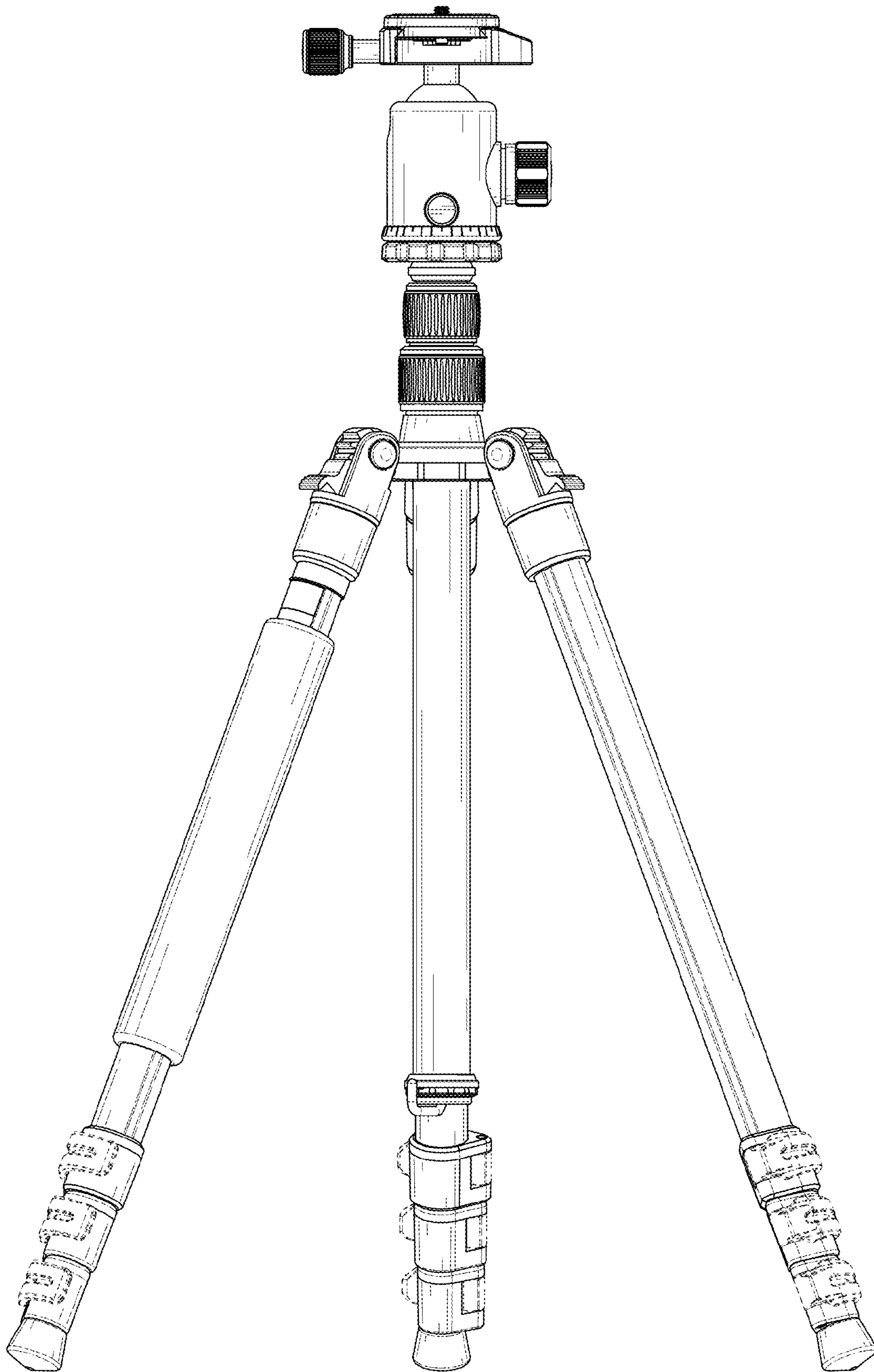


FIG. 6

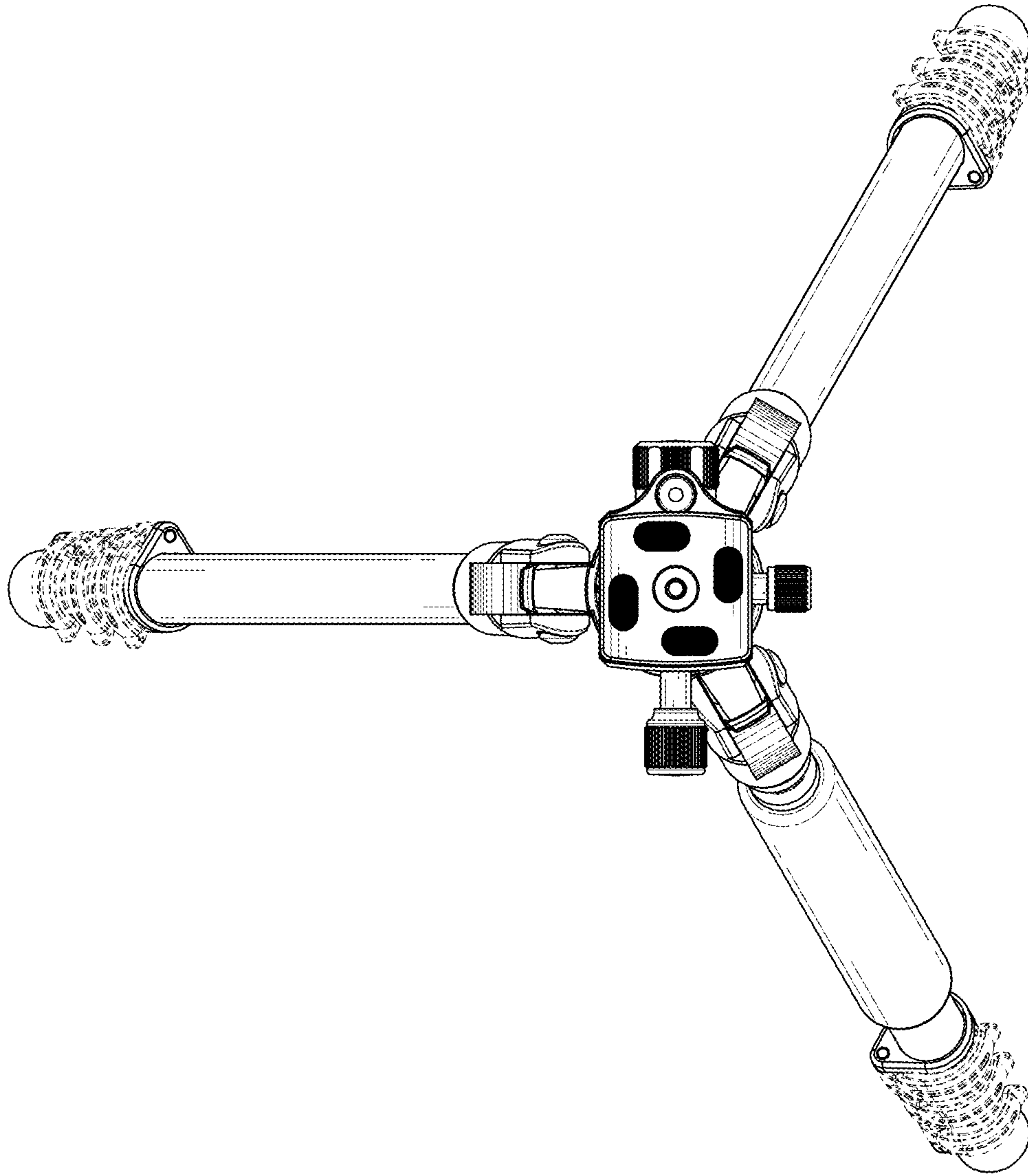


FIG. 7

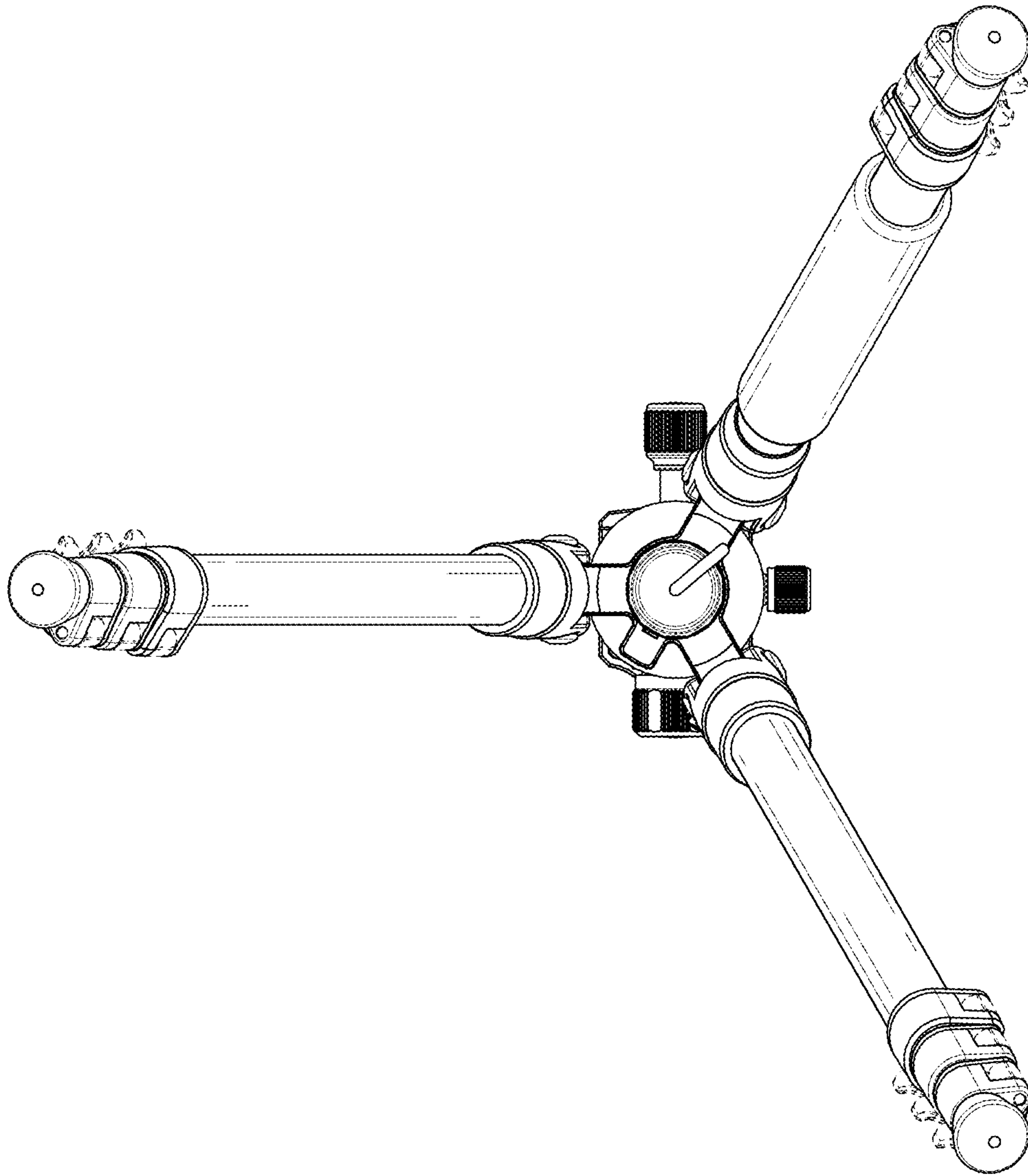


FIG. 8

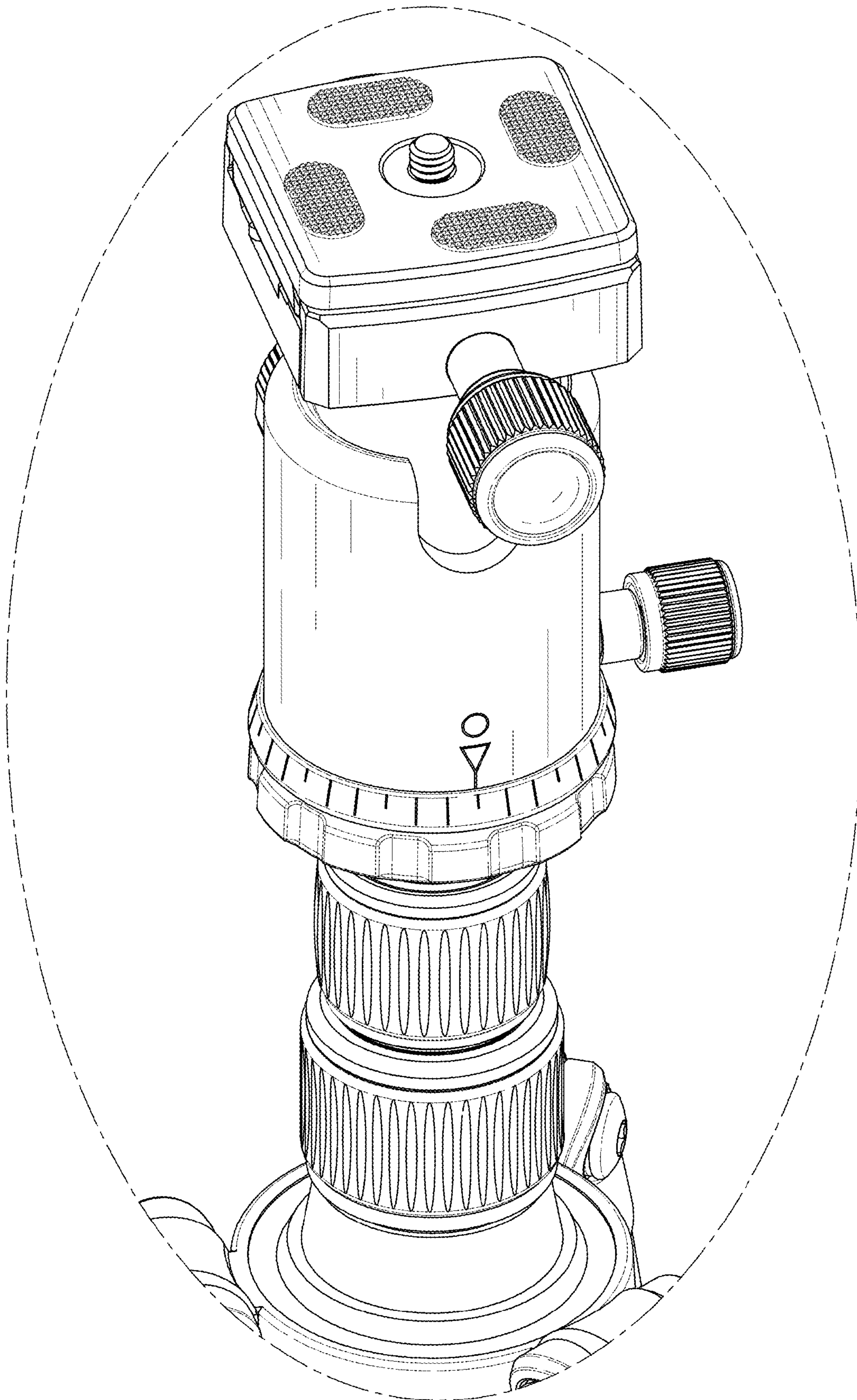


FIG. 9

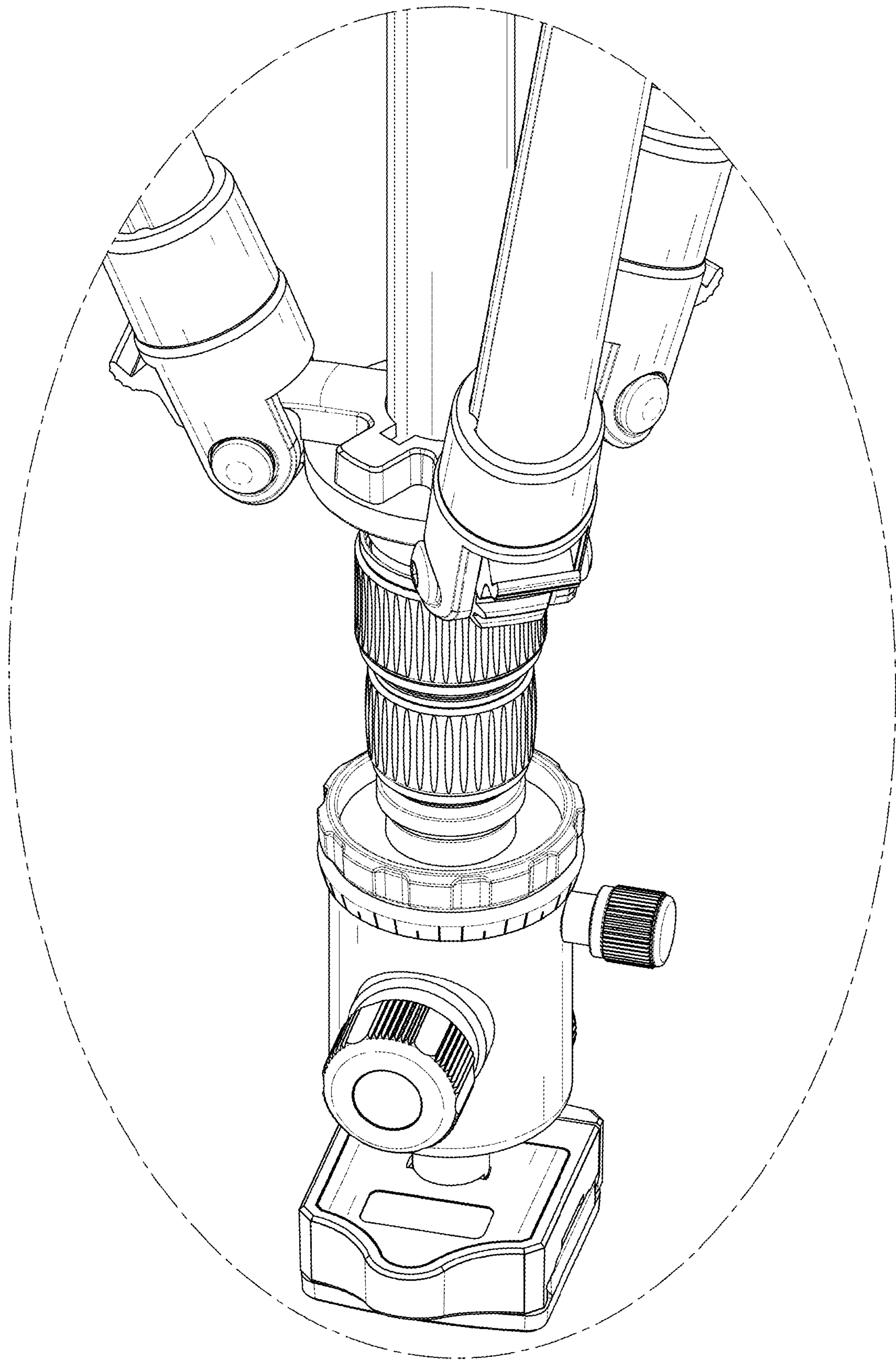


FIG. 10