



US00D888813S

(12) **United States Design Patent**
Boerup

(10) **Patent No.:** **US D888,813 S**

(45) **Date of Patent:** **** Jun. 30, 2020**

- (54) **CAMERA ACCESSORY MOUNT**
- (71) Applicant: **MGMD BrainPower LLC**, Tucson, AZ (US)
- (72) Inventor: **Spencer Boerup**, Tucson, AZ (US)
- (73) Assignee: **MGMD BrainPower LLC**, Tucson, AZ (US)

- D704,713 S * 5/2014 Liniger D14/447
- 9,158,181 B2 * 10/2015 Baker G03B 15/03
- D774,382 S * 12/2016 Richter D8/355
- D784,997 S * 4/2017 Cheng D14/447
- D797,748 S * 9/2017 Robinson D14/447
- D801,974 S * 11/2017 Stadlbauer D14/415
- D805,120 S * 12/2017 Morishita D16/243
- D842,919 S * 3/2019 Zeng D16/237
- D845,950 S * 4/2019 Stadlbauer D14/415

(Continued)

- (**) Term: **15 Years**
- (21) Appl. No.: **29/706,194**
- (22) Filed: **Sep. 18, 2019**

Related U.S. Application Data

- (62) Division of application No. 29/654,365, filed on Jun. 22, 2018.
- (51) **LOC (12) Cl.** **16-05**
- (52) **U.S. Cl.**
USPC **D16/242**
- (58) **Field of Classification Search**
USPC D16/219, 237-250; D8/354, 355, 363, D8/373, 382-383, 394-396; D14/224, D14/229, 238, 251, 253, 356, 447, 451, D14/457
CPC A45F 5/00; A45F 5/10; A45F 2200/0508-0533; F16M 11/06-10; F16M 11/14; G02B 7/00-002; G03B 17/56; G03B 17/561-568; H04N 5/2253-2254
See application file for complete search history.

(56) **References Cited**

U.S. PATENT DOCUMENTS

- D515,614 S * 2/2006 Speggiorin F16M 11/14 D16/243
- D527,992 S * 9/2006 Chiang D8/396
- 7,563,038 B2 * 7/2009 Hershenzon F16M 13/04 396/419

OTHER PUBLICATIONS

Revolutionary New Softbox System by Spencer Boerup Kickstarter. [online] Published on Jun. 26, 2018. Retrieved Jun. 18, 2019 from URL: <https://www.kickstarter.com/projects/spencerboerup/magbox-magshoe-magringrevolutionary-new-softbox-sy>.*

Primary Examiner — Vy N Koenig

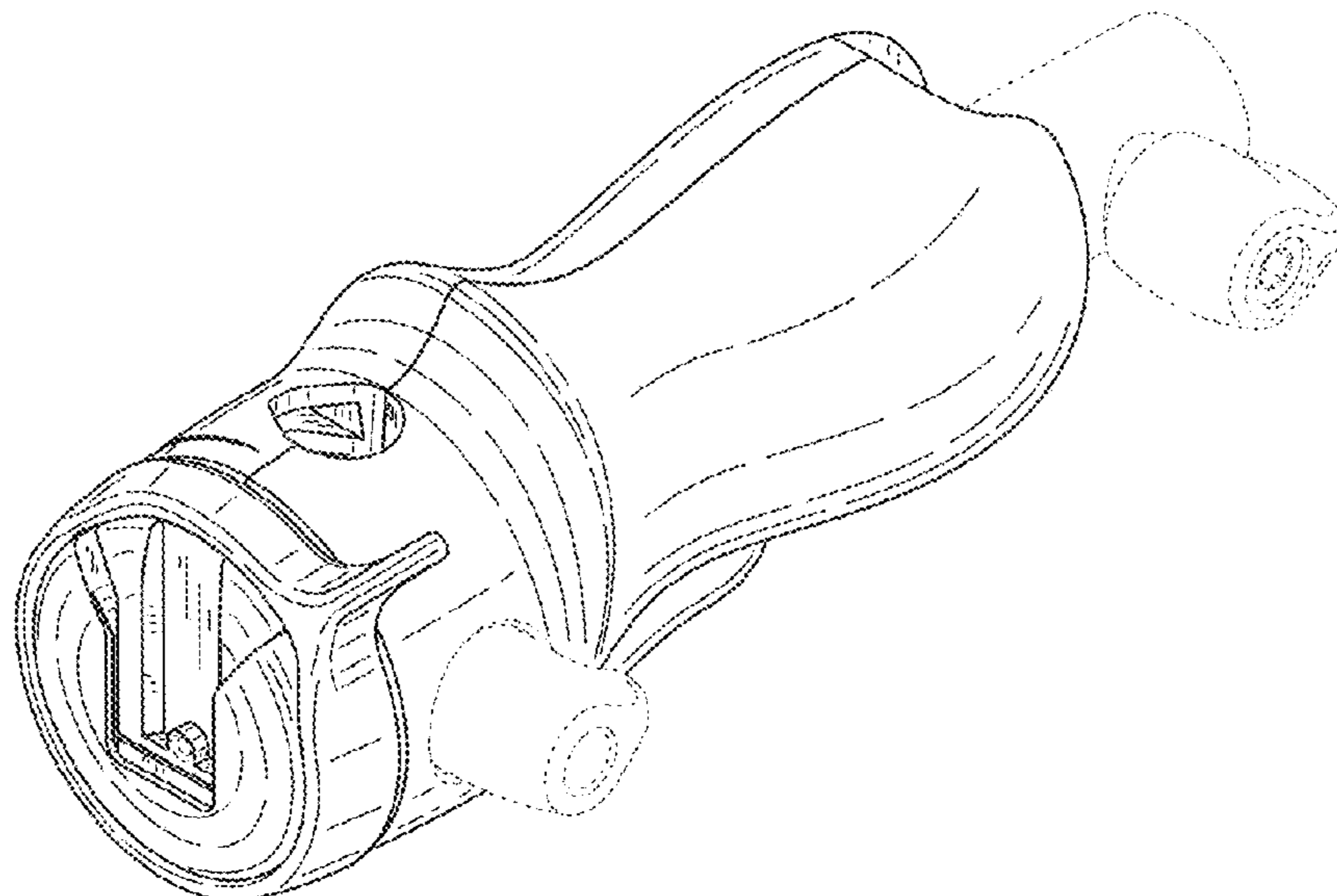
(57) **CLAIM**

The ornamental design for a camera accessory mount, as shown and described.

DESCRIPTION

FIG. 1 is a perspective view of a camera accessory mount. FIG. 2 is a front view of the camera accessory mount of FIG. 1. FIG. 3 is a back view of the camera accessory mount of FIG. 1. FIG. 4 is a right side view of the camera accessory mount of FIG. 1. FIG. 5 is a left side view of the camera accessory mount of FIG. 1. FIG. 6 is a top view of the camera accessory mount of FIG. 1; and, FIG. 7 is a bottom view of the camera accessory mount of FIG. 1. The dashed lines depict portions of the camera accessory mount that form no part of the claimed design.

1 Claim, 5 Drawing Sheets



(56)

References Cited

U.S. PATENT DOCUMENTS

D850,520 S * 6/2019 Voss D16/243
2019/0377246 A1 * 12/2019 Boerup G03B 17/566

* cited by examiner

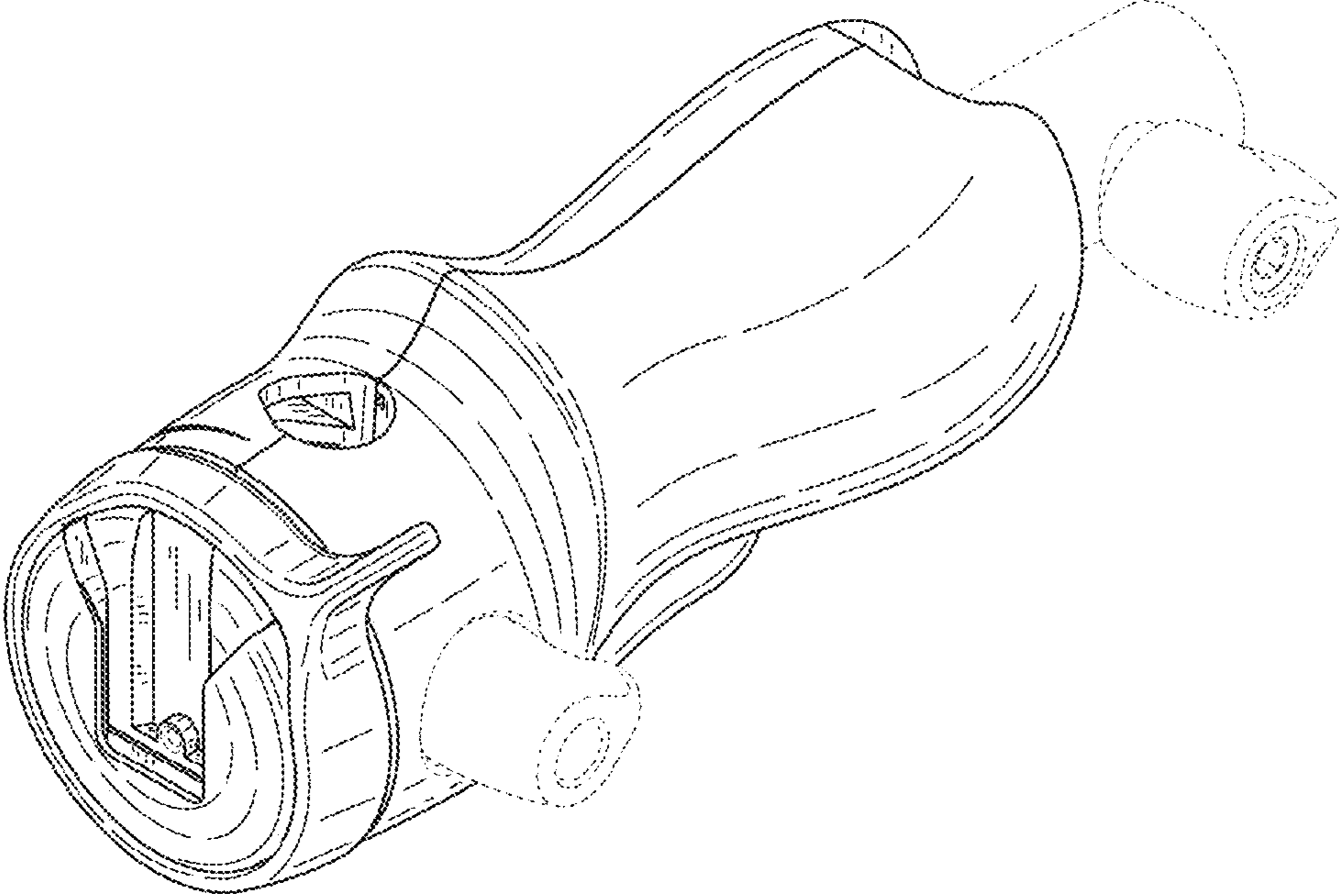


FIG.1

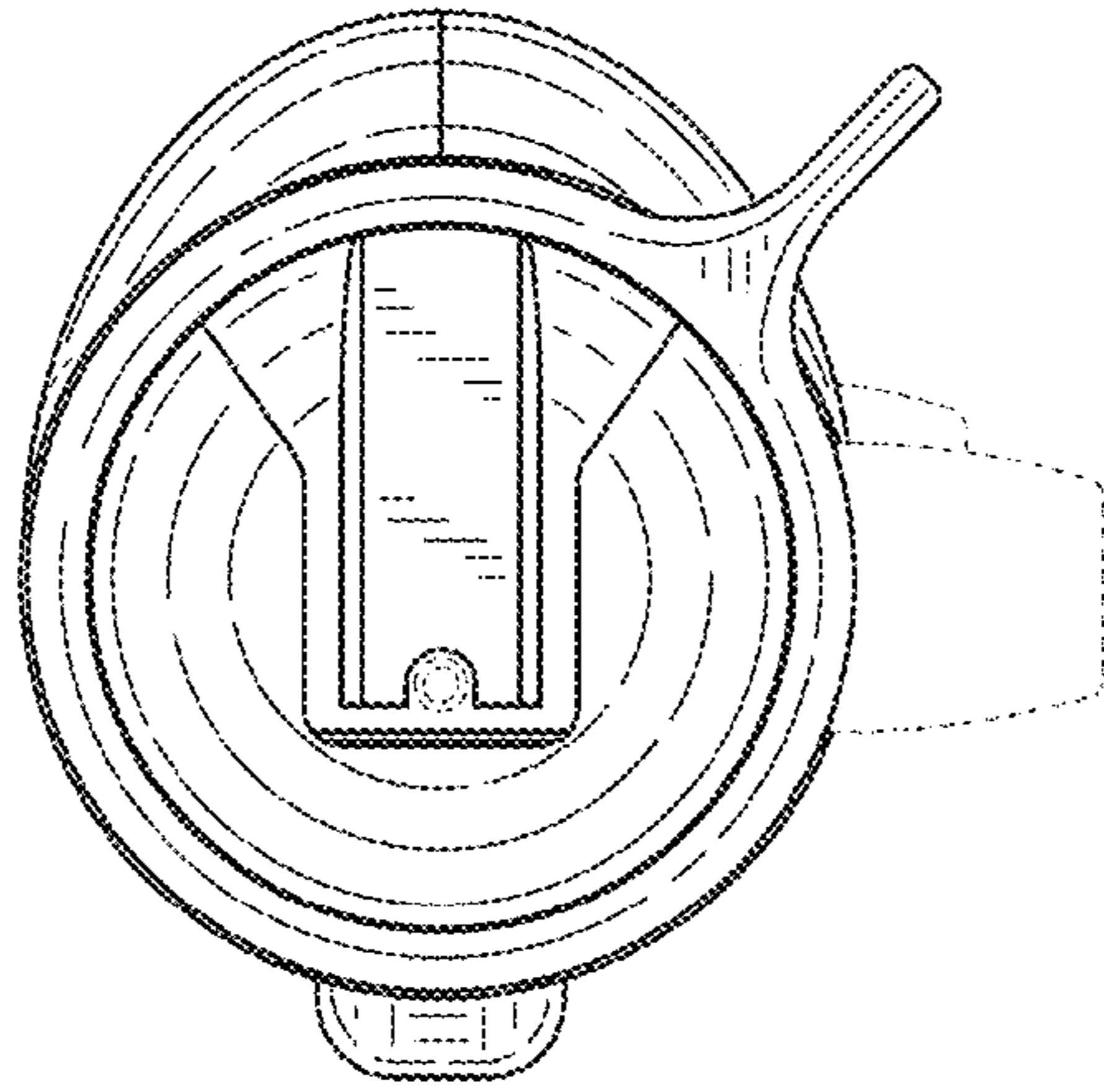


FIG. 2

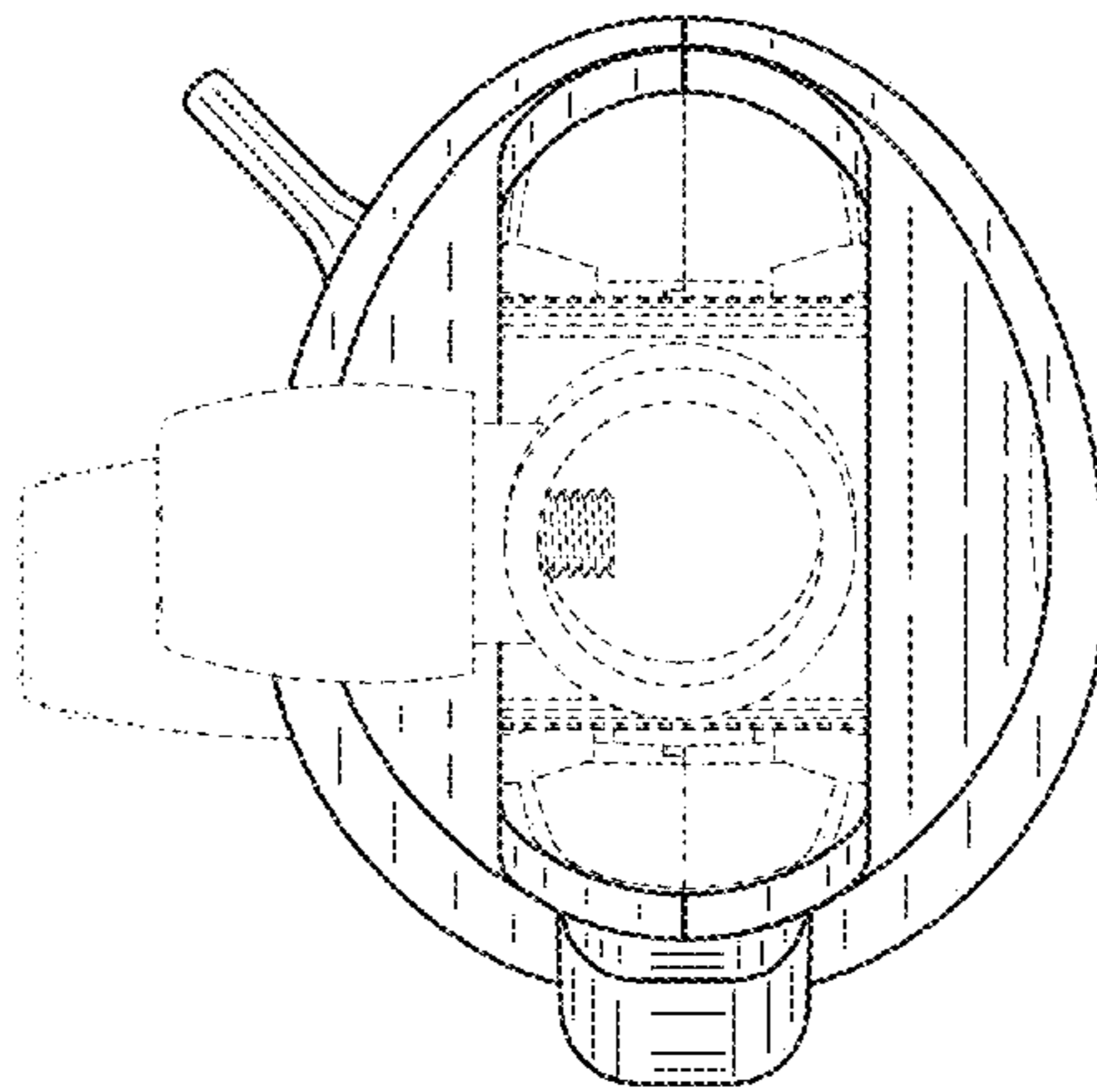


FIG. 3

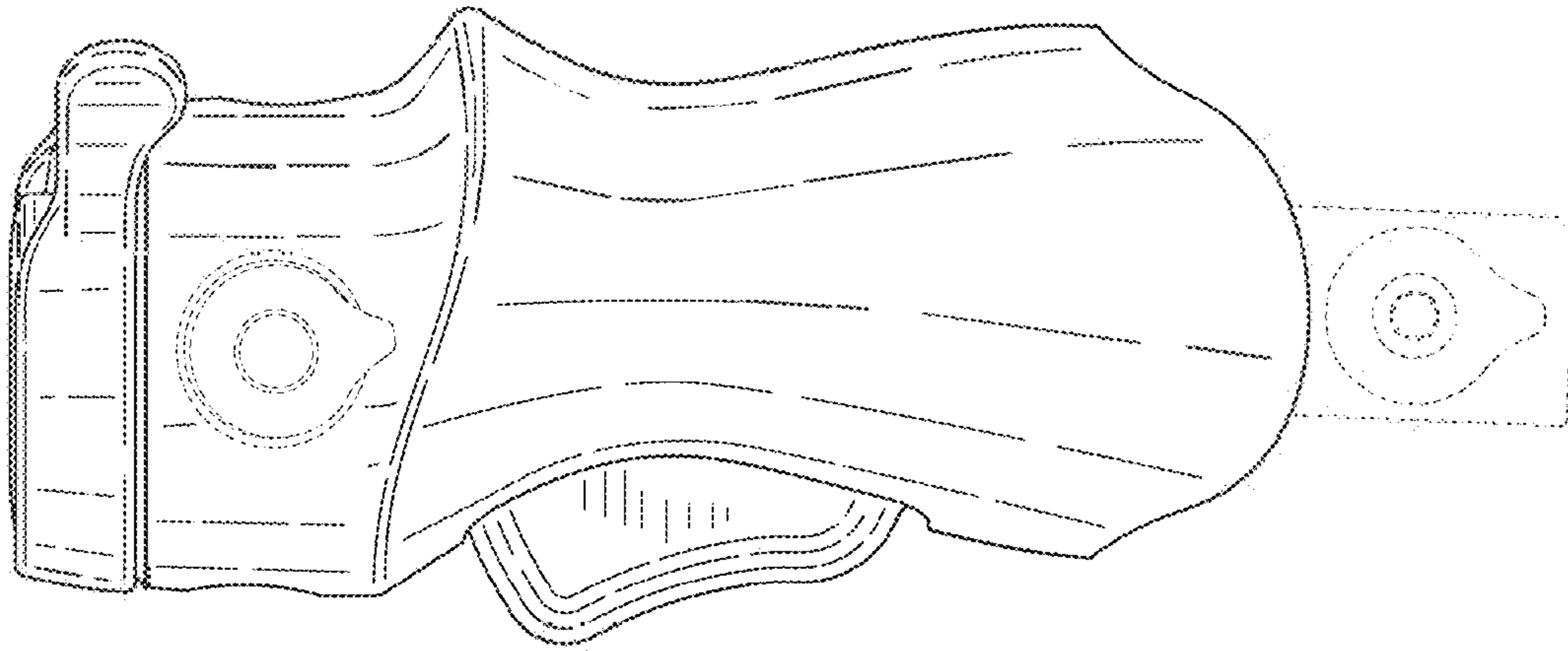


FIG. 4

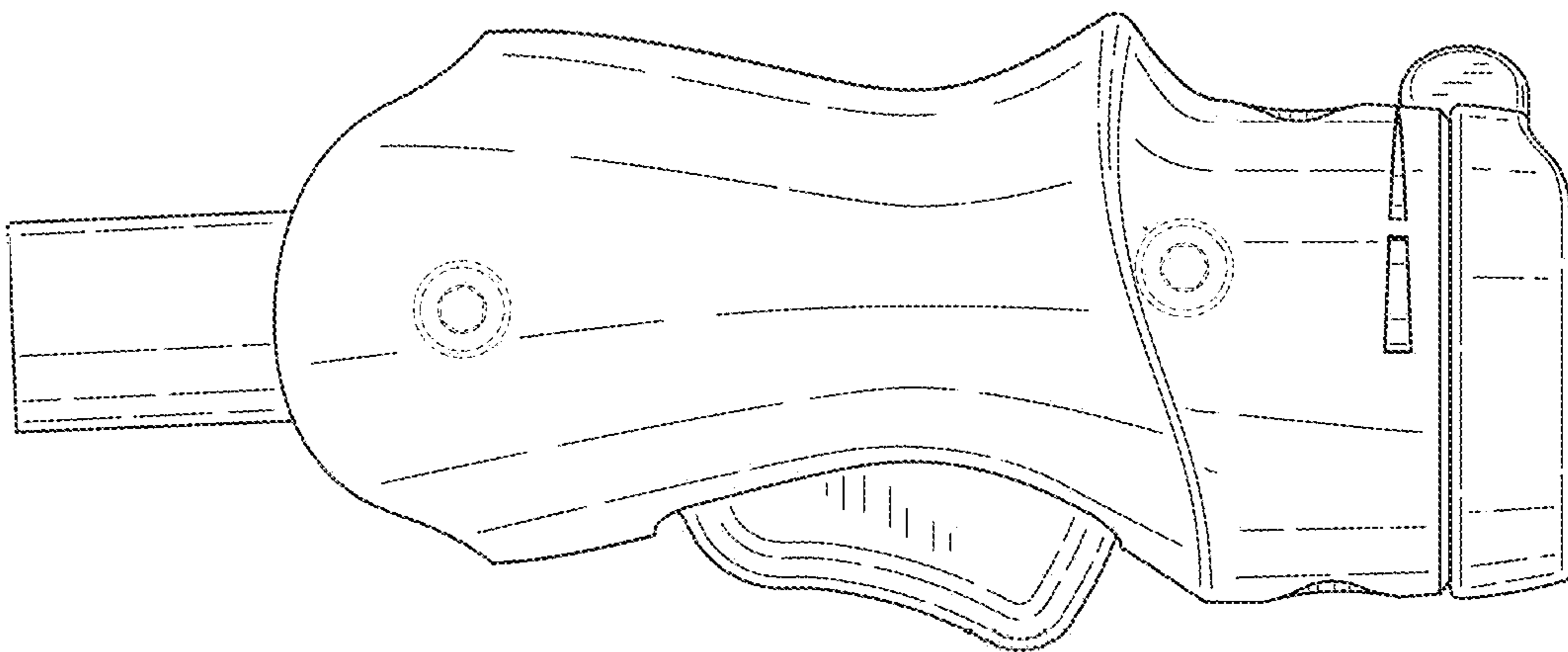


FIG. 5

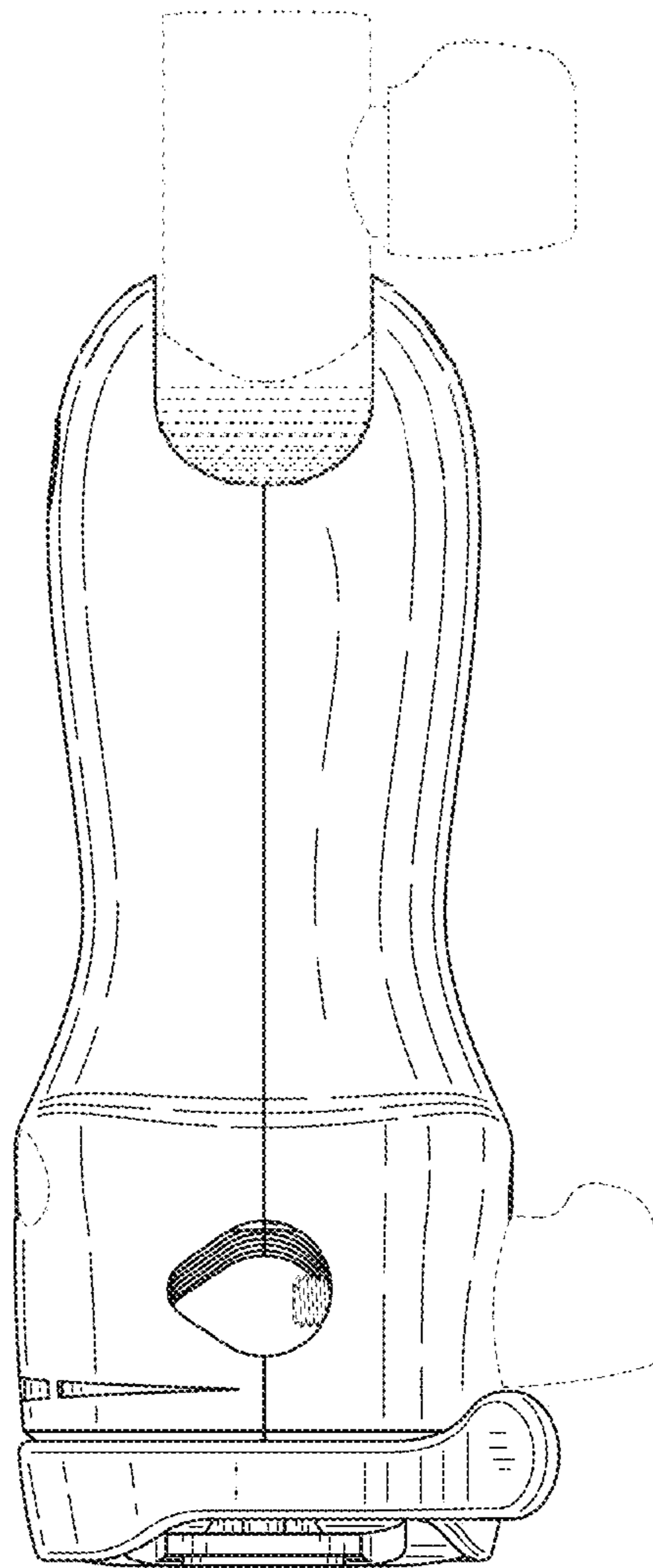


FIG.6

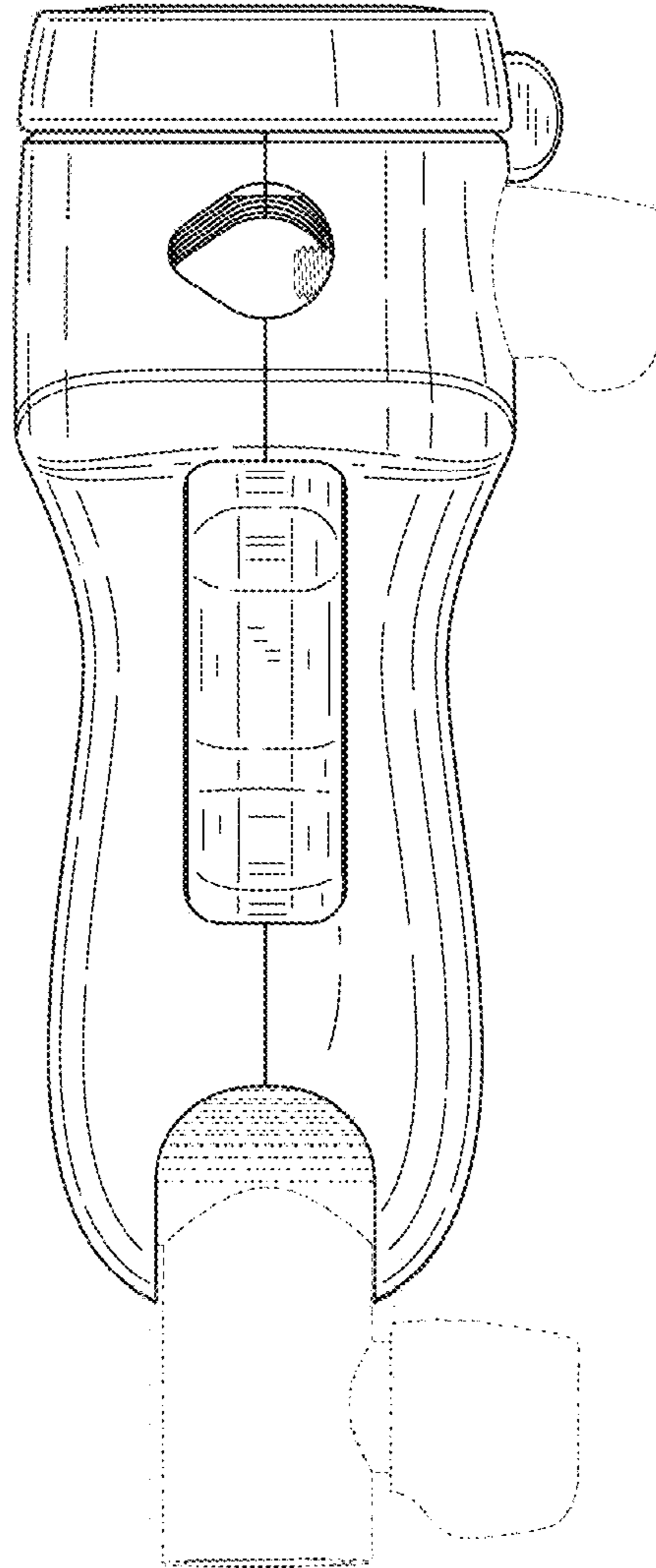


FIG.7