



US00D888812S

(12) **United States Design Patent** (10) **Patent No.:** **US D888,812 S**  
**Blatz** (45) **Date of Patent:** **\*\* Jun. 30, 2020**

(54) **CAMERA HOLDER**

(71) Applicant: **Bonsai Technology Company,**  
Rockville, MD (US)

(72) Inventor: **Charles Thomas Blatz,** Arlington, VA  
(US)

(73) Assignee: **Bonsai Technology Company,**  
Rockville, MD (US)

(\*\*) Term: **15 Years**

(21) Appl. No.: **29/675,266**

(22) Filed: **Dec. 29, 2018**

(51) **LOC (12) Cl.** ..... **16-05**

(52) **U.S. Cl.**  
USPC ..... **D16/242**

(58) **Field of Classification Search**  
USPC ..... D16/208–209, 219, 237–250; D8/354,  
D8/355, 363, 373, 382–383, 394–396;  
D14/224, 229, 238, 251, 253, 447, 451,  
D14/457  
CPC ..... F16M 11/06–10; F16M 11/14; G02B  
7/00–002; G03B 17/56; G03B  
17/561–568; H04N 5/2253–2254  
See application file for complete search history.

(56) **References Cited**

U.S. PATENT DOCUMENTS

D373,761 S \* 9/1996 Yu ..... D14/451  
D391,978 S \* 3/1998 Brock ..... D16/242  
7,369,401 B1 \* 5/2008 Floersch ..... F16M 11/08  
292/301  
D660,308 S \* 5/2012 Huang ..... D14/452

D706,275 S \* 6/2014 Derry ..... D14/452  
D788,747 S \* 6/2017 Kemp ..... D14/239  
D857,083 S \* 8/2019 Blatz ..... D16/242  
10,480,612 B2 \* 11/2019 Liu ..... F16M 11/041  
2006/0065795 A1 \* 3/2006 Blackburn ..... F16M 11/14  
248/122.1  
2007/0205340 A1 \* 9/2007 Jung ..... F16M 11/24  
248/125.9  
2009/0134285 A1 \* 5/2009 Huang ..... F16M 11/08  
248/124.1  
2011/0075345 A1 \* 3/2011 Moscovitch ..... F16M 11/04  
361/679.22  
2015/0090849 A1 \* 4/2015 Breitweiser ..... F16M 11/04  
248/230.1  
2016/0281915 A1 \* 9/2016 Bowman ..... F16M 11/045

\* cited by examiner

*Primary Examiner* — Vy N Koenig  
(74) *Attorney, Agent, or Firm* — Brett A. Schenck

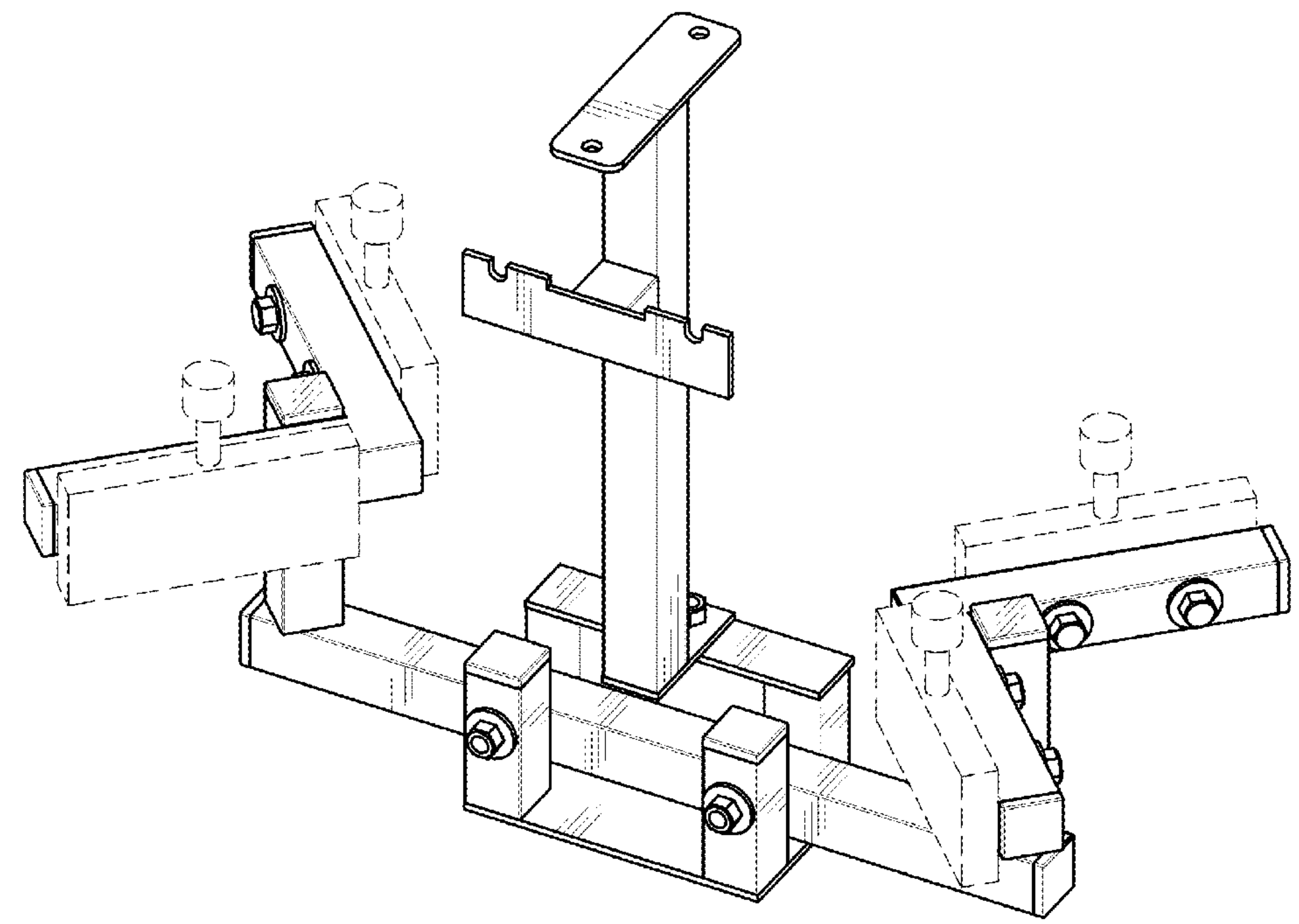
(57) **CLAIM**

The ornamental design for a camera holder, as shown and described.

**DESCRIPTION**

FIG. 1 is a top, front, right perspective view of a camera holder, showing my new design;  
FIG. 2 is a top, rear, left perspective view thereof;  
FIG. 3 is a rear view thereof;  
FIG. 4 is a front view thereof;  
FIG. 5 is a left side view thereof;  
FIG. 6 is a right side view thereof;  
FIG. 7 is a top view thereof; and,  
FIG. 8 is a bottom view thereof.  
The even length broken lines in the drawings depict clamps of the camera holder that form no part of the claimed design.

**1 Claim, 8 Drawing Sheets**



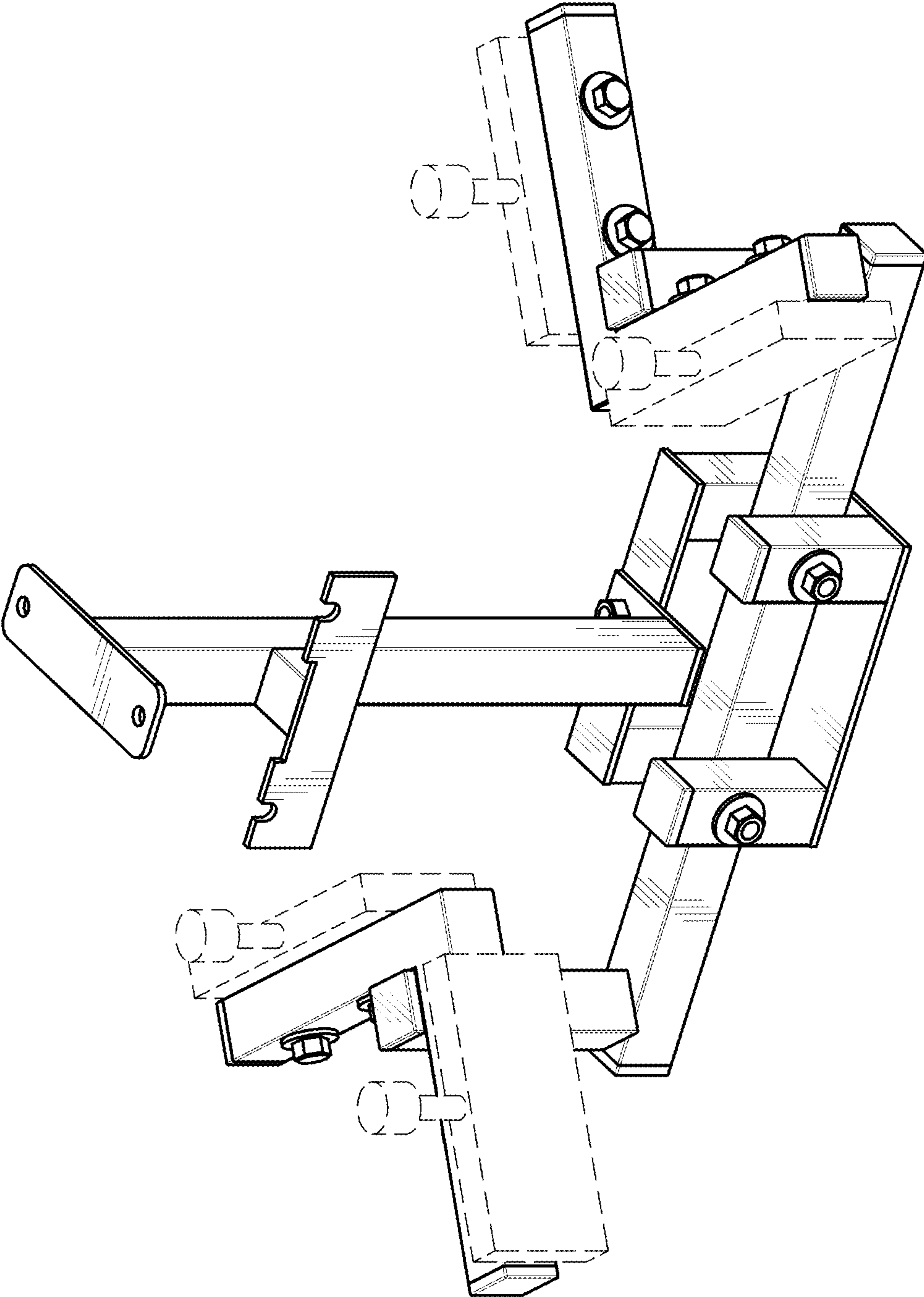


FIG. 1

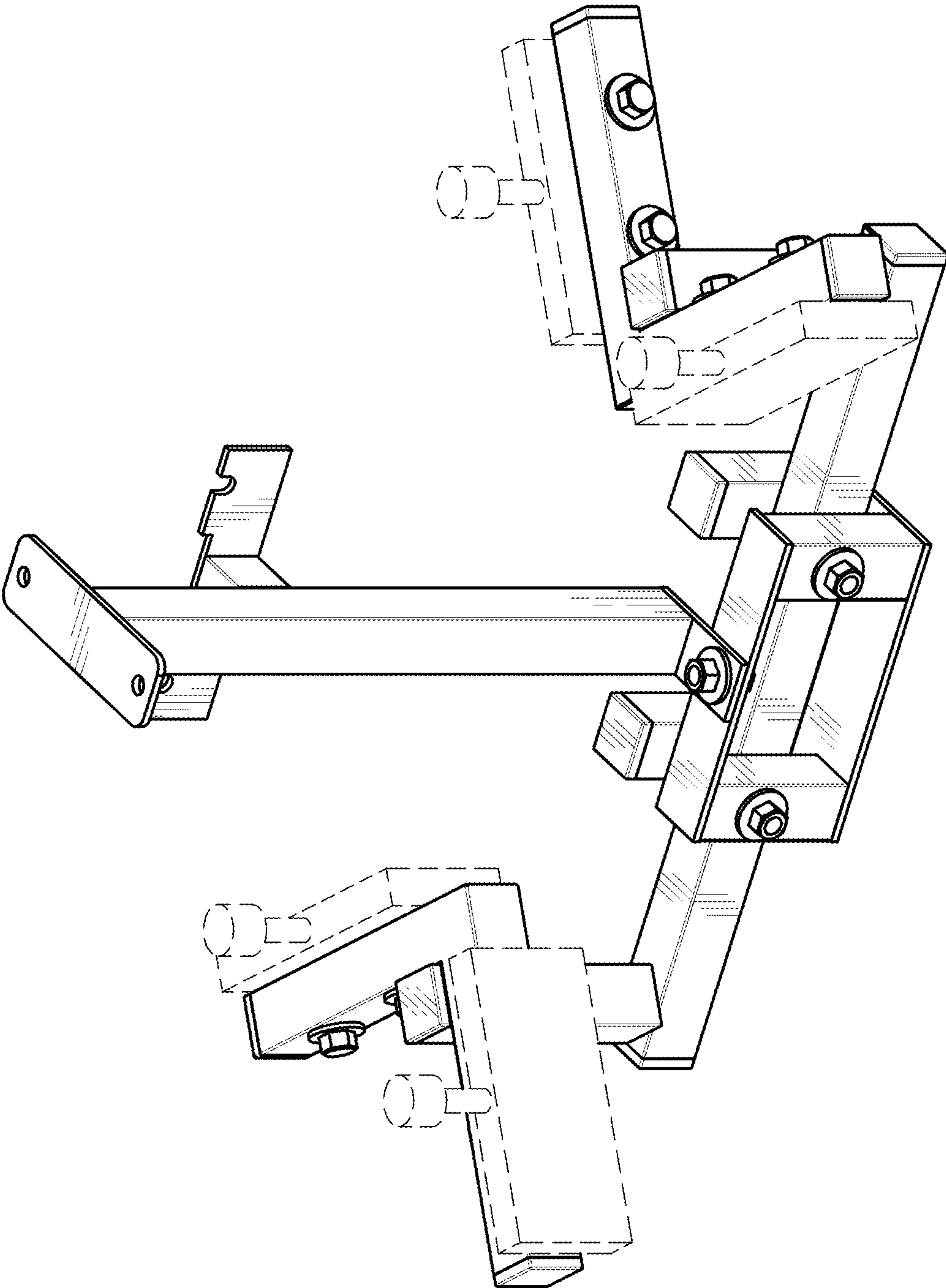


FIG. 2

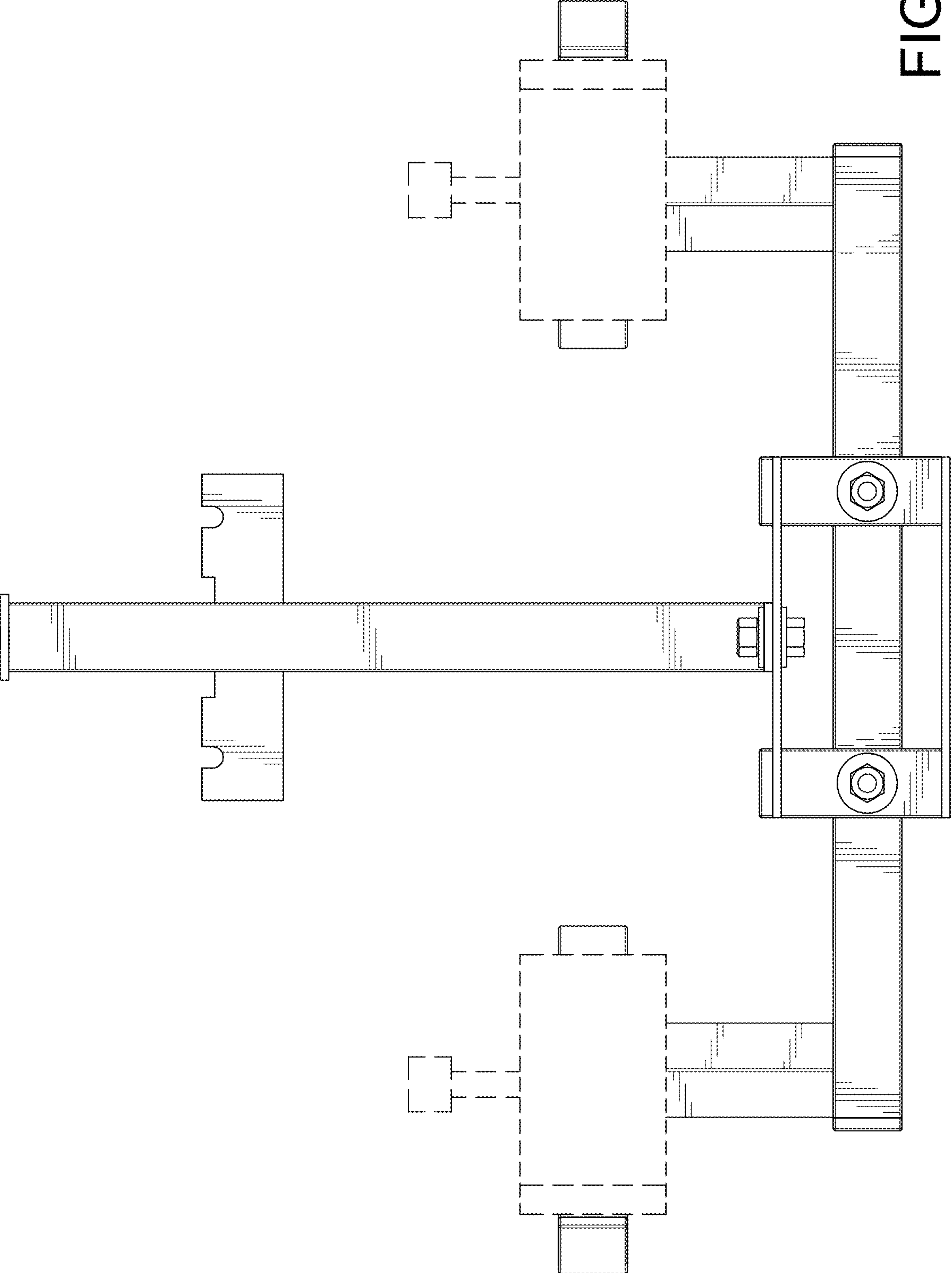


FIG. 3

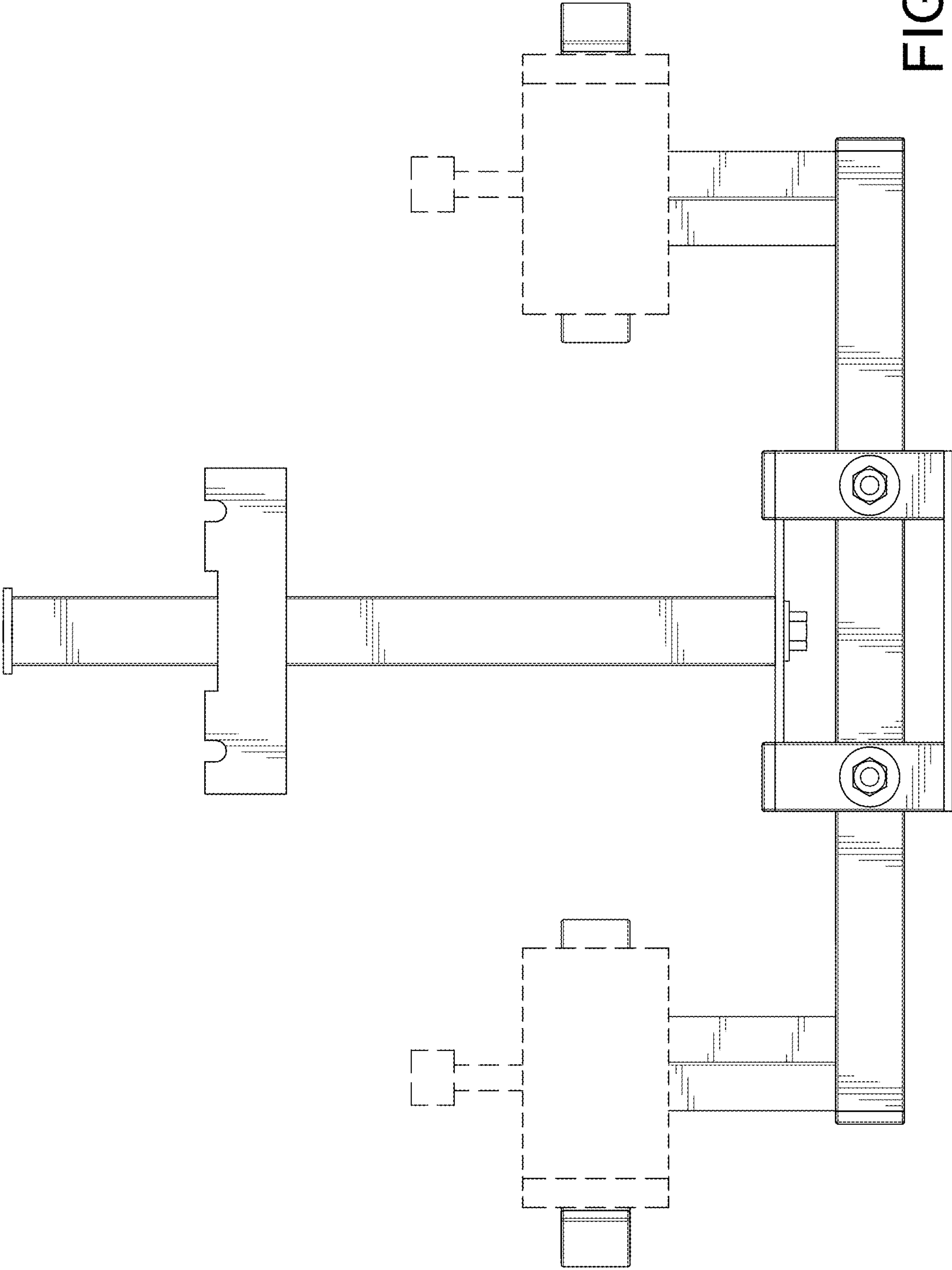


FIG. 4



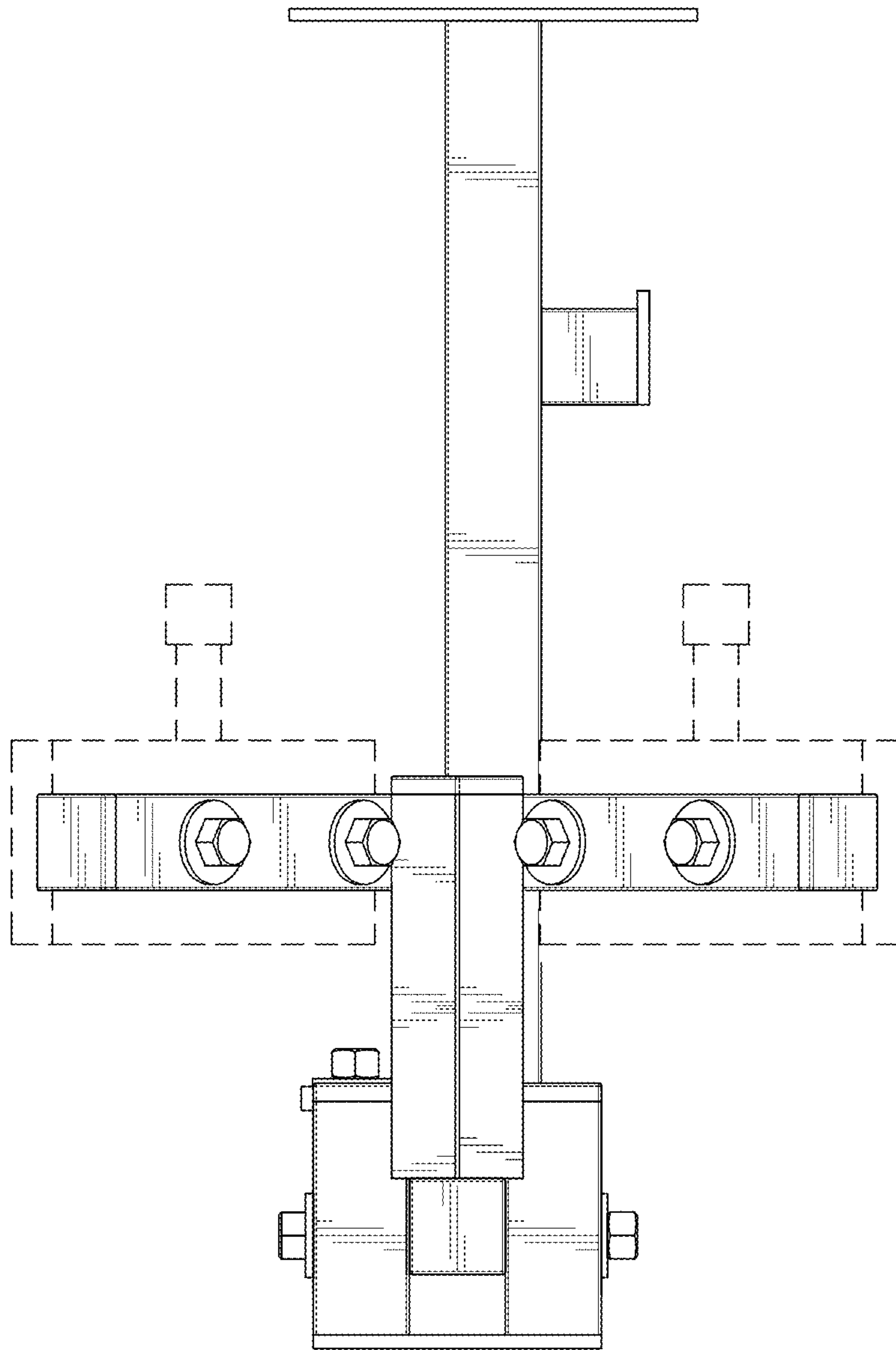


FIG. 5

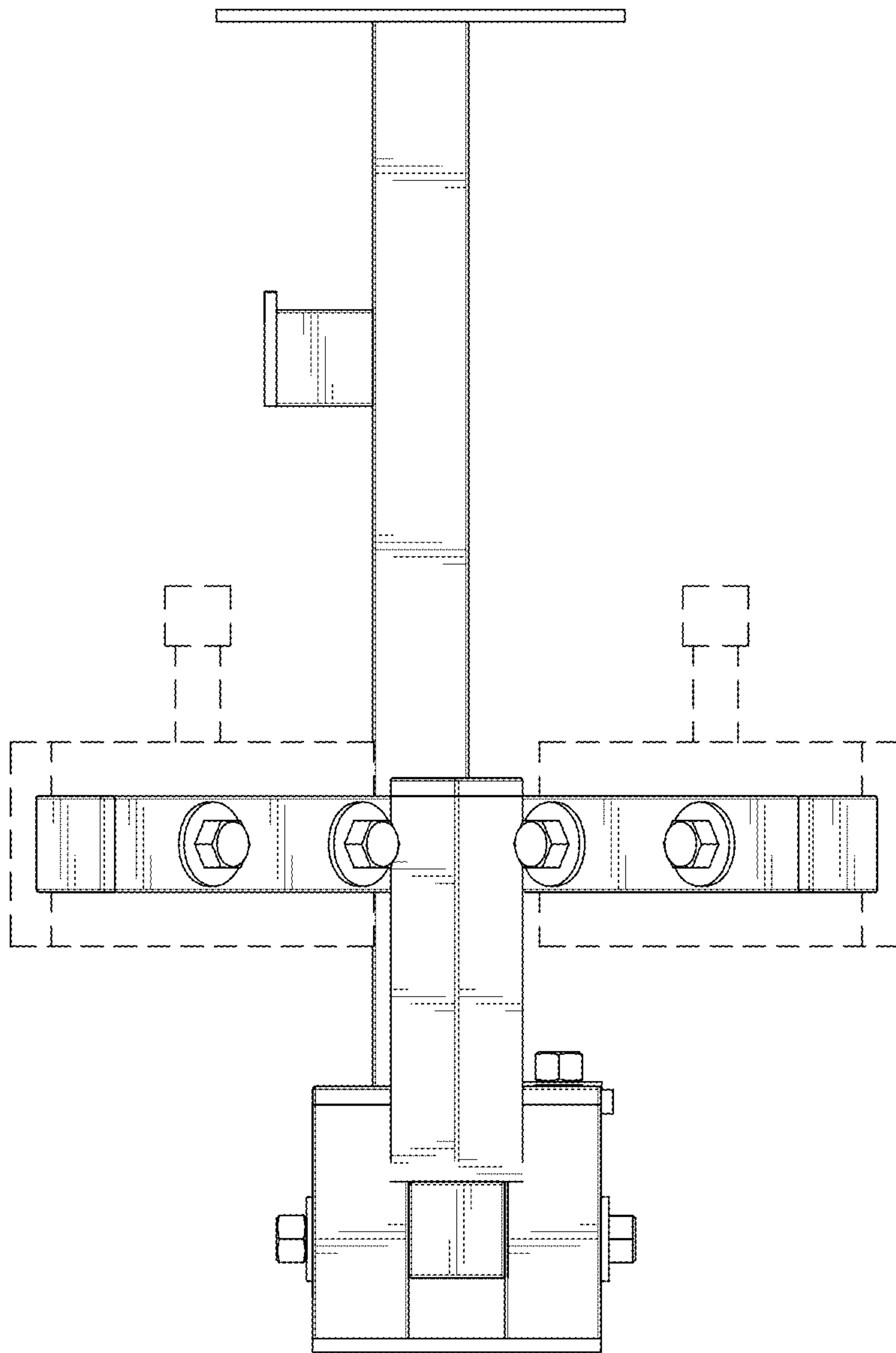


FIG. 6

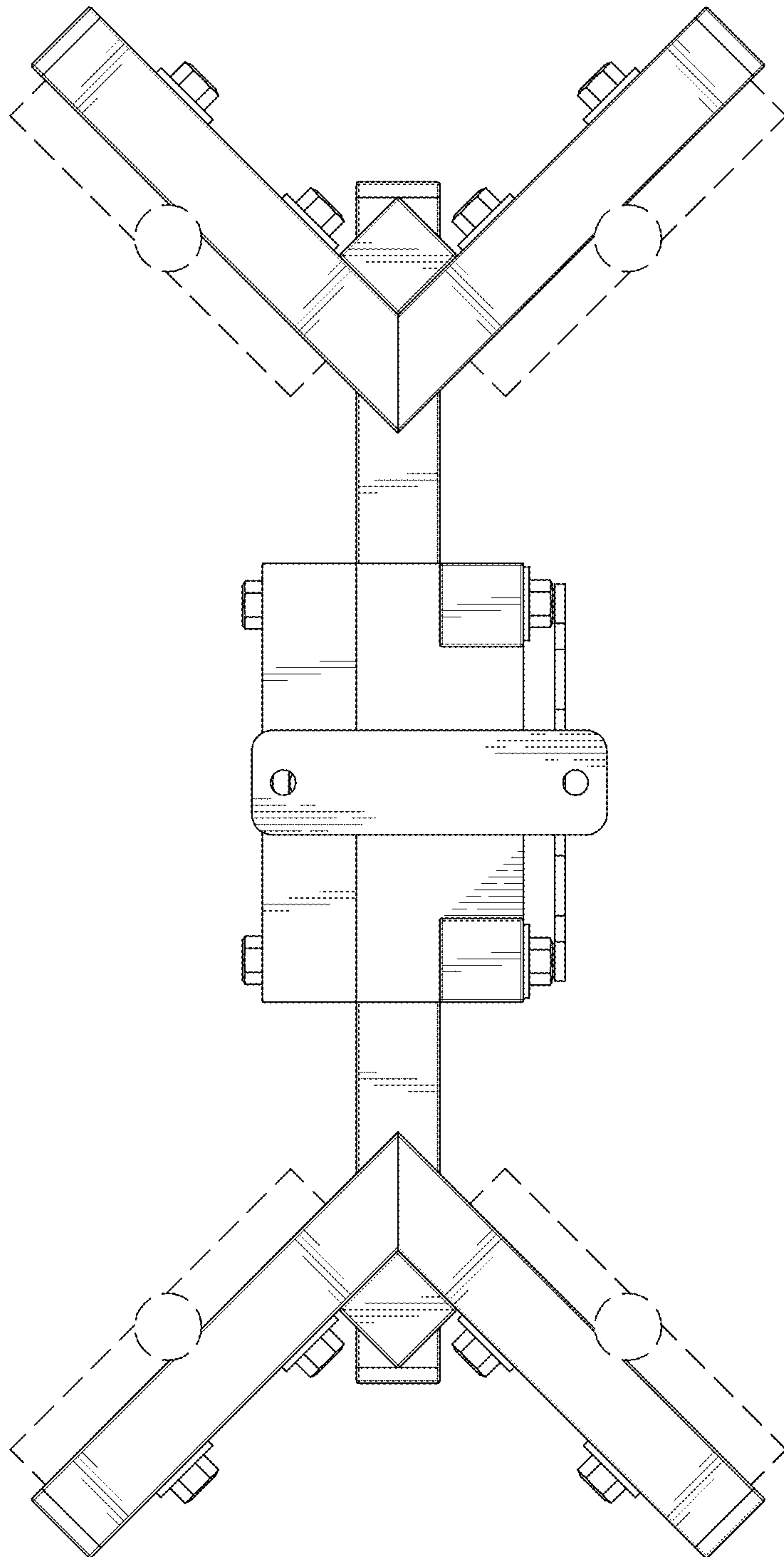


FIG. 7



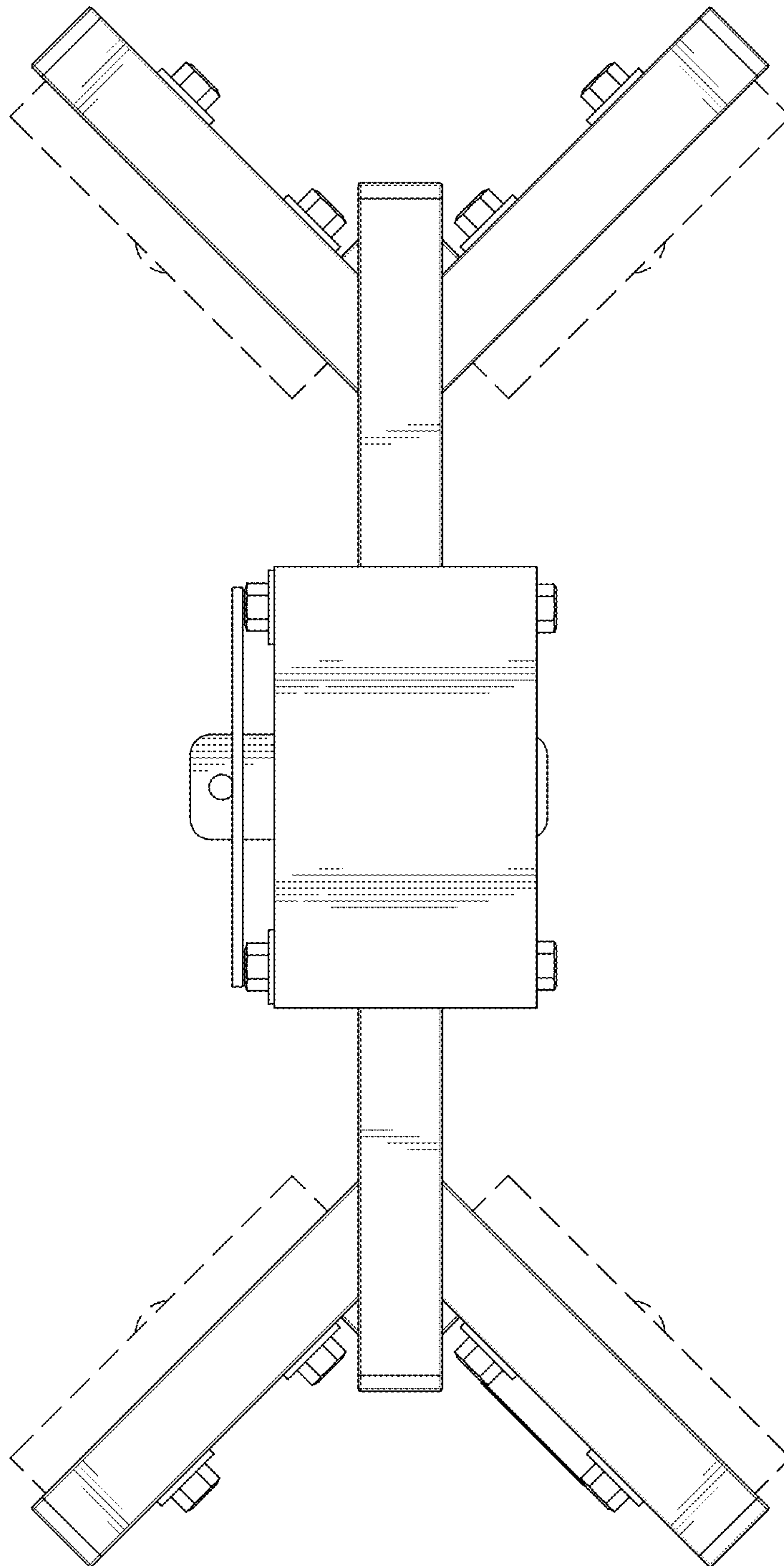


FIG. 8