



US00D888811S

(12) **United States Design Patent**  
**Chen**

(10) **Patent No.:** **US D888,811 S**

(45) **Date of Patent:** **\*\* Jun. 30, 2020**

- (54) **SOFTBOX**
- (71) Applicant: **Shenzhen Jike Digital Technology Co., Ltd.**, Shenzhen (CN)
- (72) Inventor: **Zhuangxiaoyi Chen**, Shenzhen (CN)
- (\*\*) Term: **15 Years**
- (21) Appl. No.: **29/683,707**
- (22) Filed: **Mar. 15, 2019**
- (51) **LOC (12) Cl.** ..... **16-05**
- (52) **U.S. Cl.**  
USPC ..... **D16/237**
- (58) **Field of Classification Search**  
USPC ..... D16/237–250; D8/354, 355, 363, 373,  
D8/382, 383, 394, 396; D14/224, 229,  
D14/238, 251, 253  
CPC ..... G03B 17/56; G03B 17/561–566; F16M  
11/14  
See application file for complete search history.

- 8,833,951 B1 \* 9/2014 Pavlenko ..... G03B 15/06  
362/16
- 9,103,522 B2 \* 8/2015 Shirilla ..... F21V 7/0008
- 9,752,755 B2 \* 9/2017 Mossdorf ..... F24S 23/715
- D827,695 S \* 9/2018 Rettig ..... D16/242
- 10,203,083 B2 \* 2/2019 Lin ..... F21V 1/06
- D851,322 S \* 6/2019 Anastassiades ..... D26/91
- 2005/0088836 A1 \* 4/2005 Lowe ..... G03B 15/06  
362/18

**OTHER PUBLICATIONS**

55cm Photo Video Flash Strobe Octagon Umbrella Softbox. [online]  
Retrieved Apr. 6, 2020 from URL: [https://www.alibaba.com/product-detail/Hot-sale-55cm-photo-video-flash\\_60637863550.html](https://www.alibaba.com/product-detail/Hot-sale-55cm-photo-video-flash_60637863550.html).\*

\* cited by examiner

*Primary Examiner* — Vy N Koenig  
(74) *Attorney, Agent, or Firm* — ZANIP

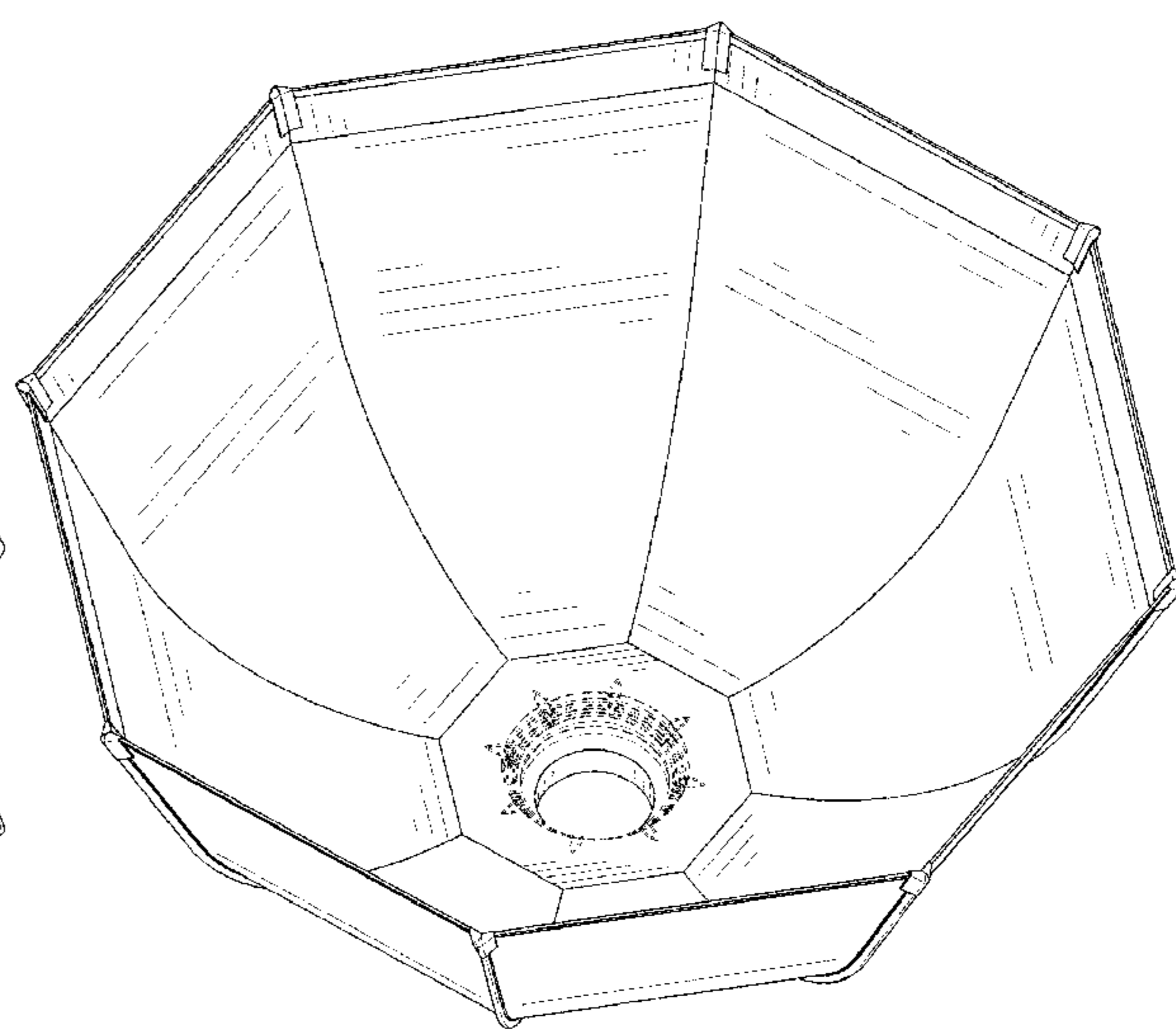
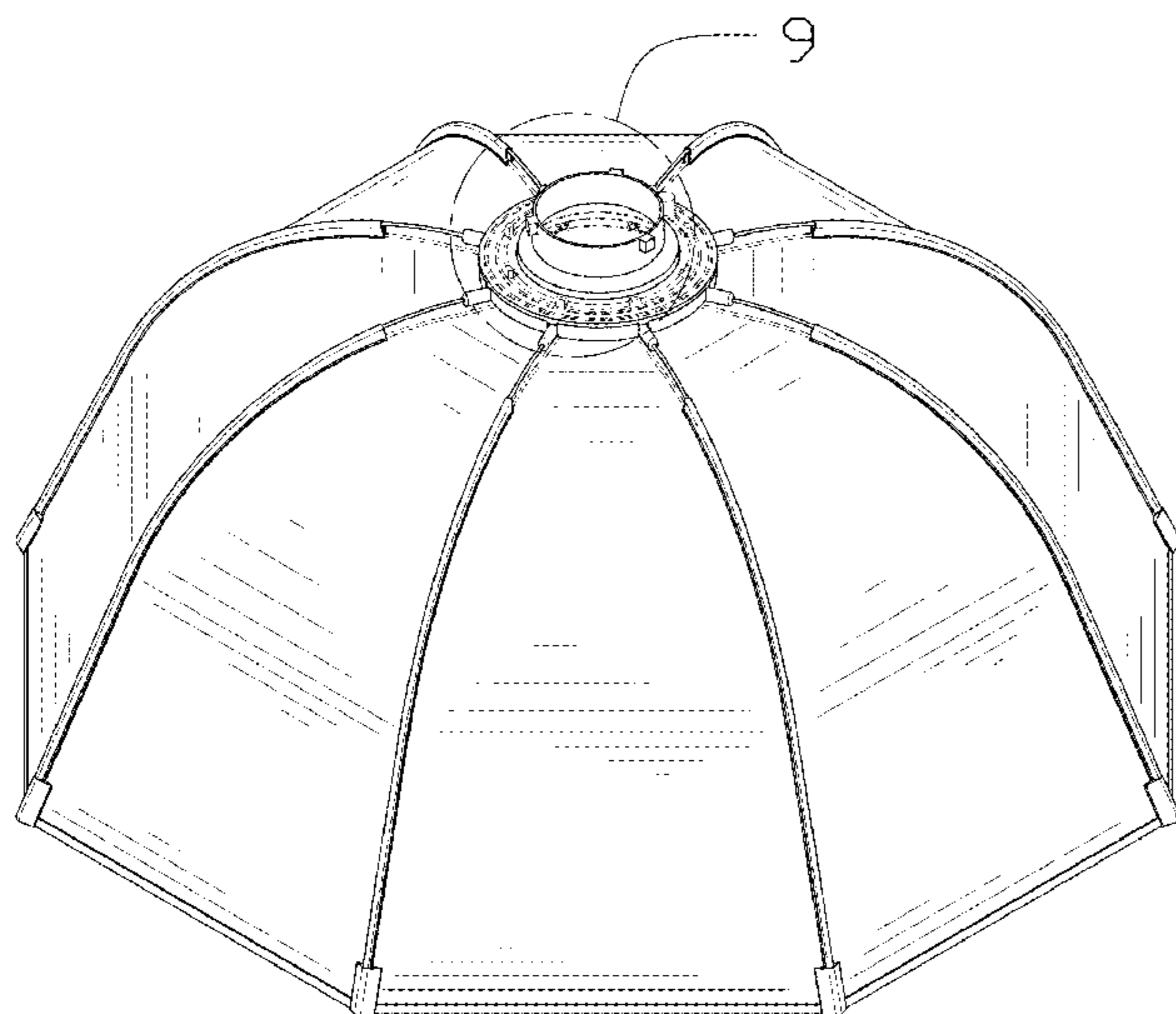
(57) **CLAIM**

The ornamental design for a softbox, as shown and described.

**DESCRIPTION**

FIG. 1 is a first perspective view of a softbox showing my design;  
FIG. 2 is a second perspective view thereof;  
FIG. 3 is a front view thereof;  
FIG. 4 is a back view thereof;  
FIG. 5 is a left side view thereof;  
FIG. 6 is a right side view thereof;  
FIG. 7 is a top view thereof;  
FIG. 8 is a bottom view thereof; and,  
FIG. 9 is an enlarged view of the selected portion of FIG. 1.  
The broken lines shown in the drawings depict portions of the softbox in which the design is embodied that form no part of the claimed design

**1 Claim, 9 Drawing Sheets**



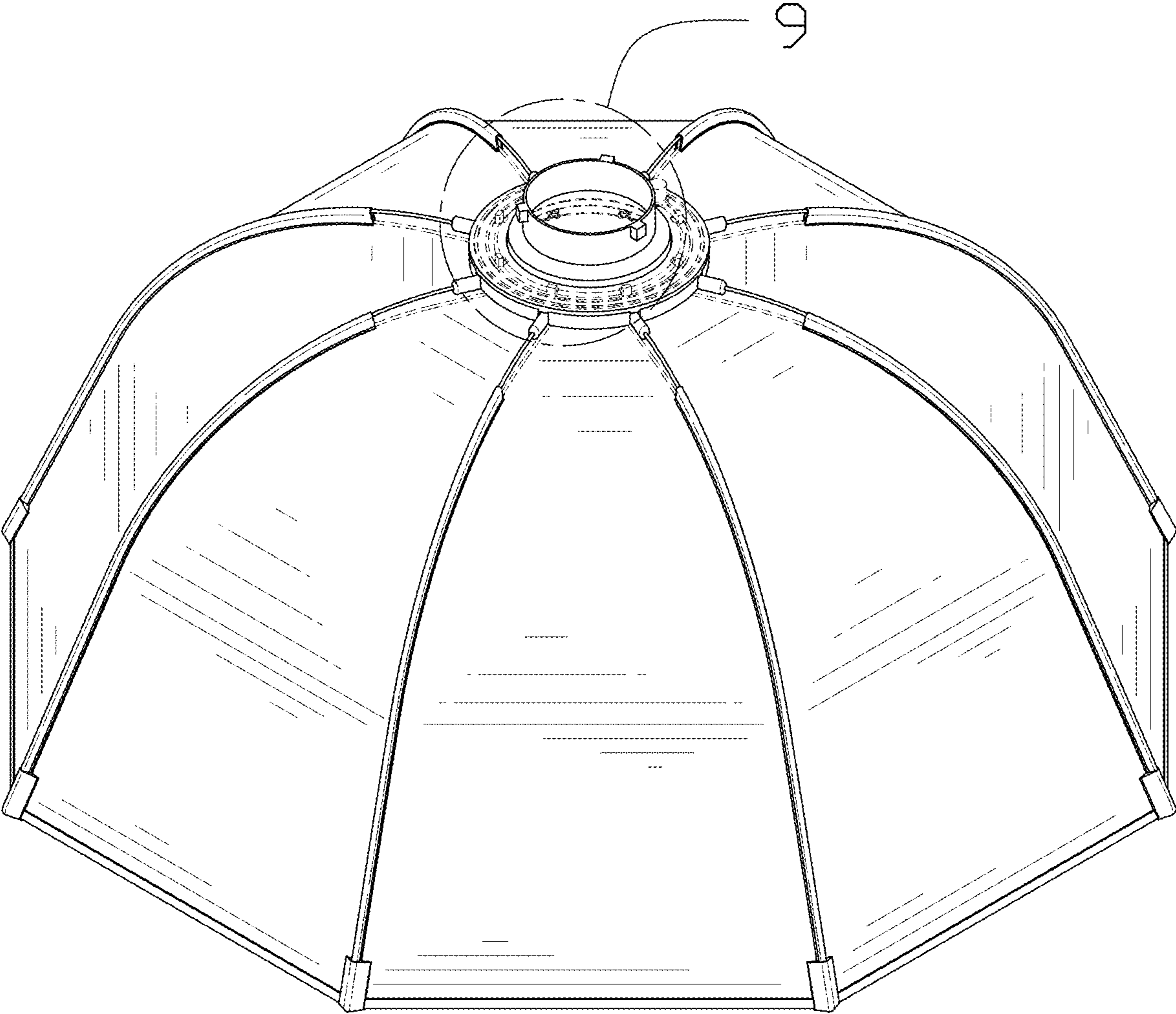


FIG. 1

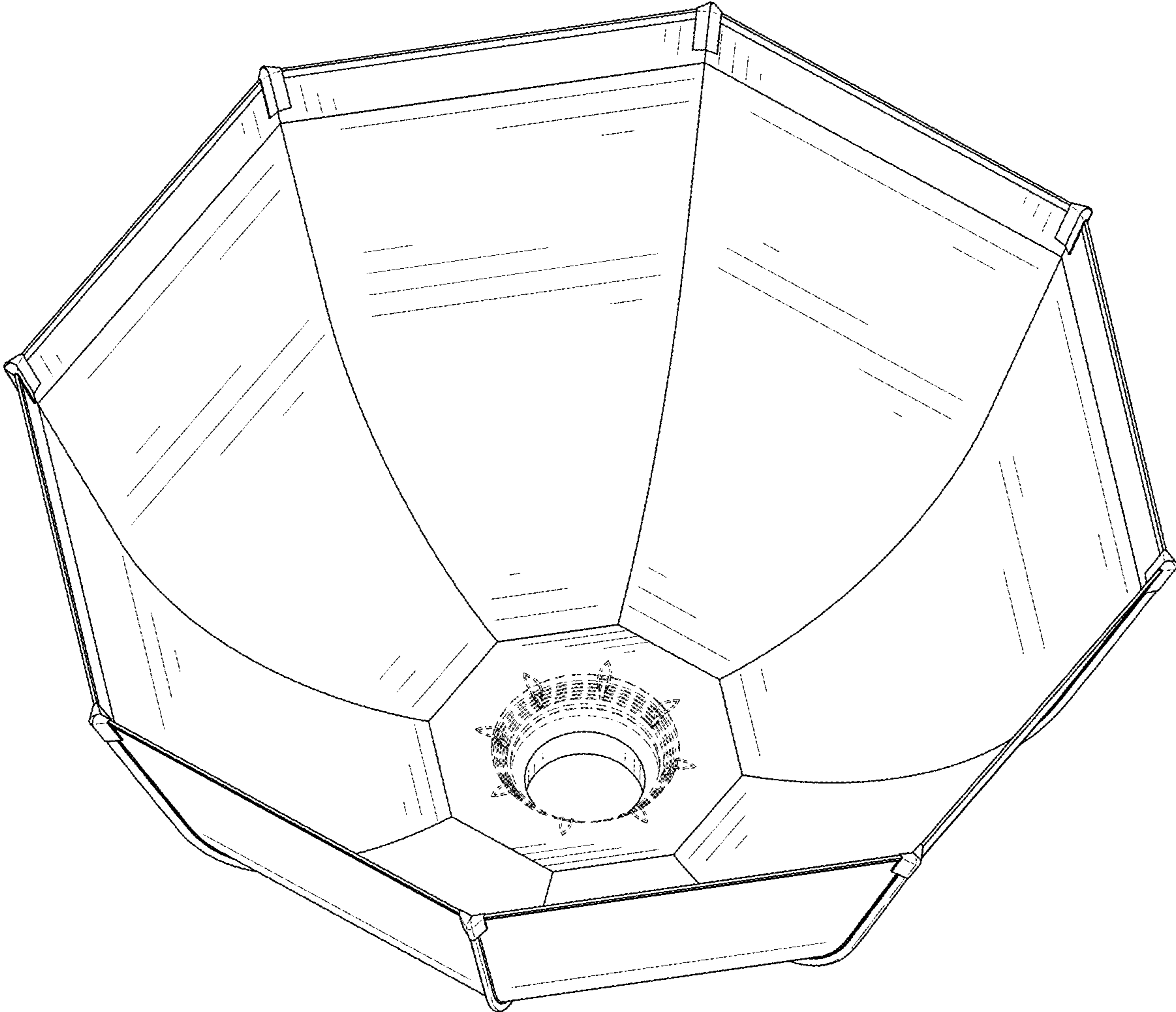


FIG. 2

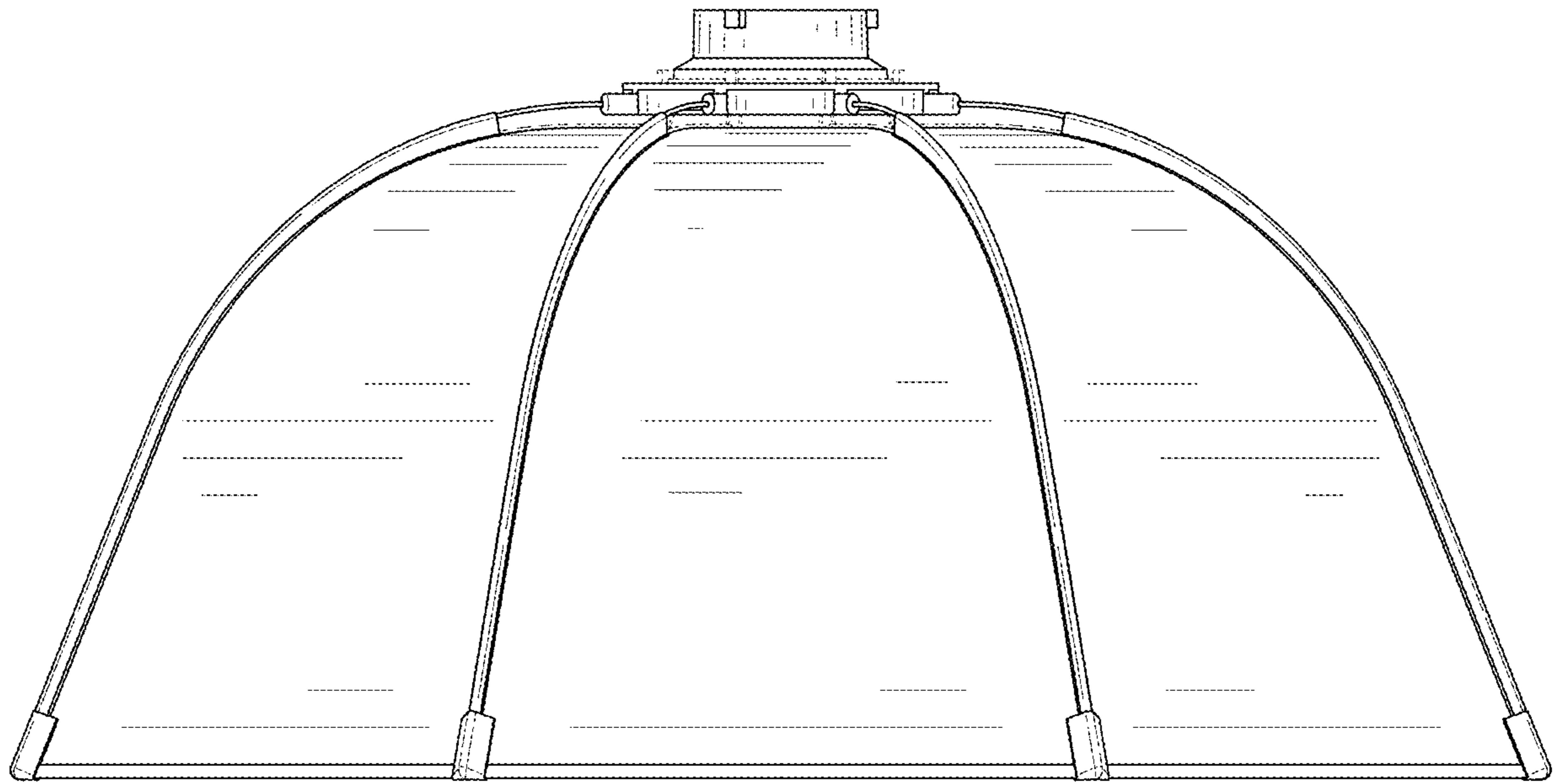


FIG. 3

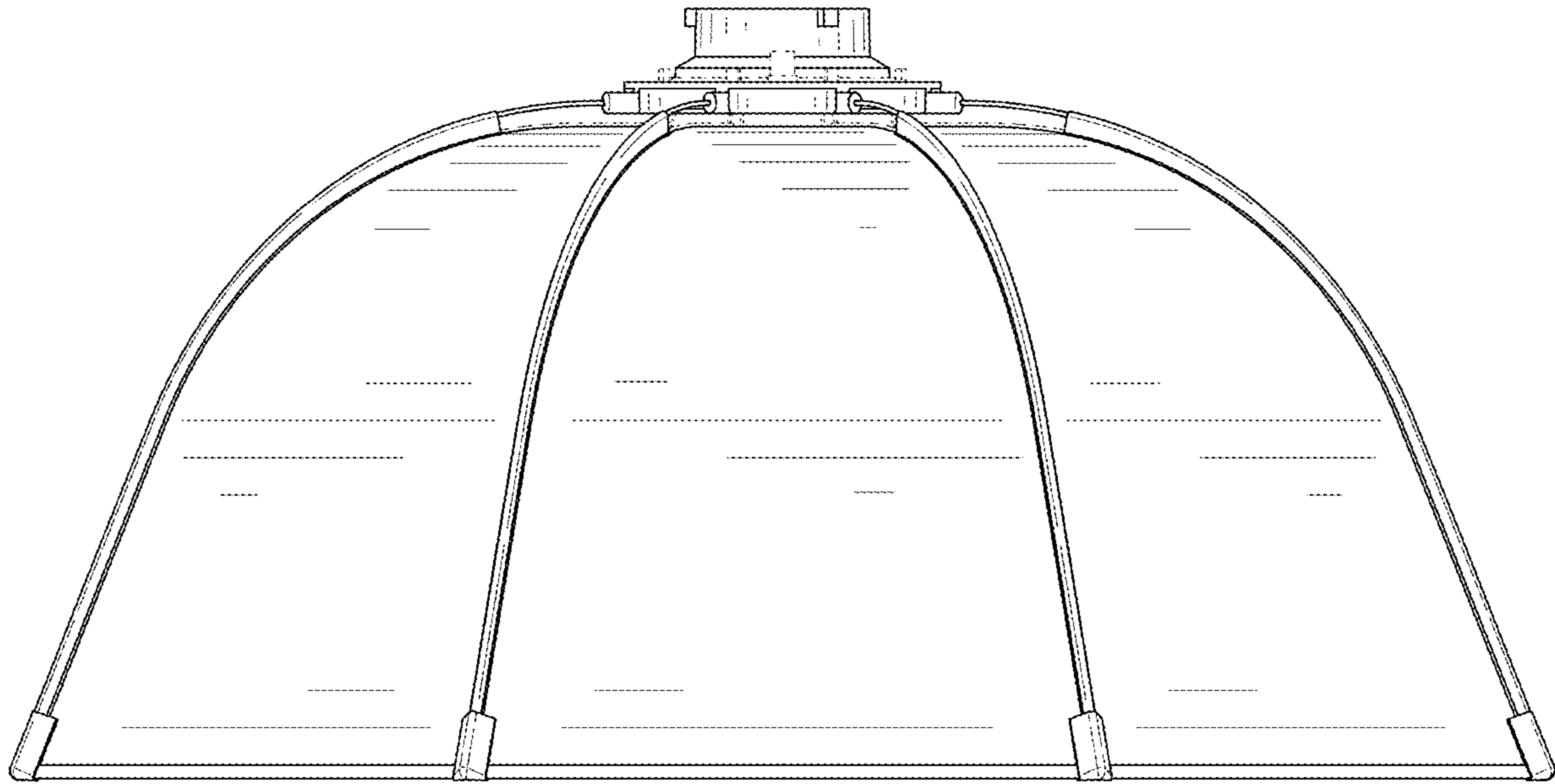


FIG. 4

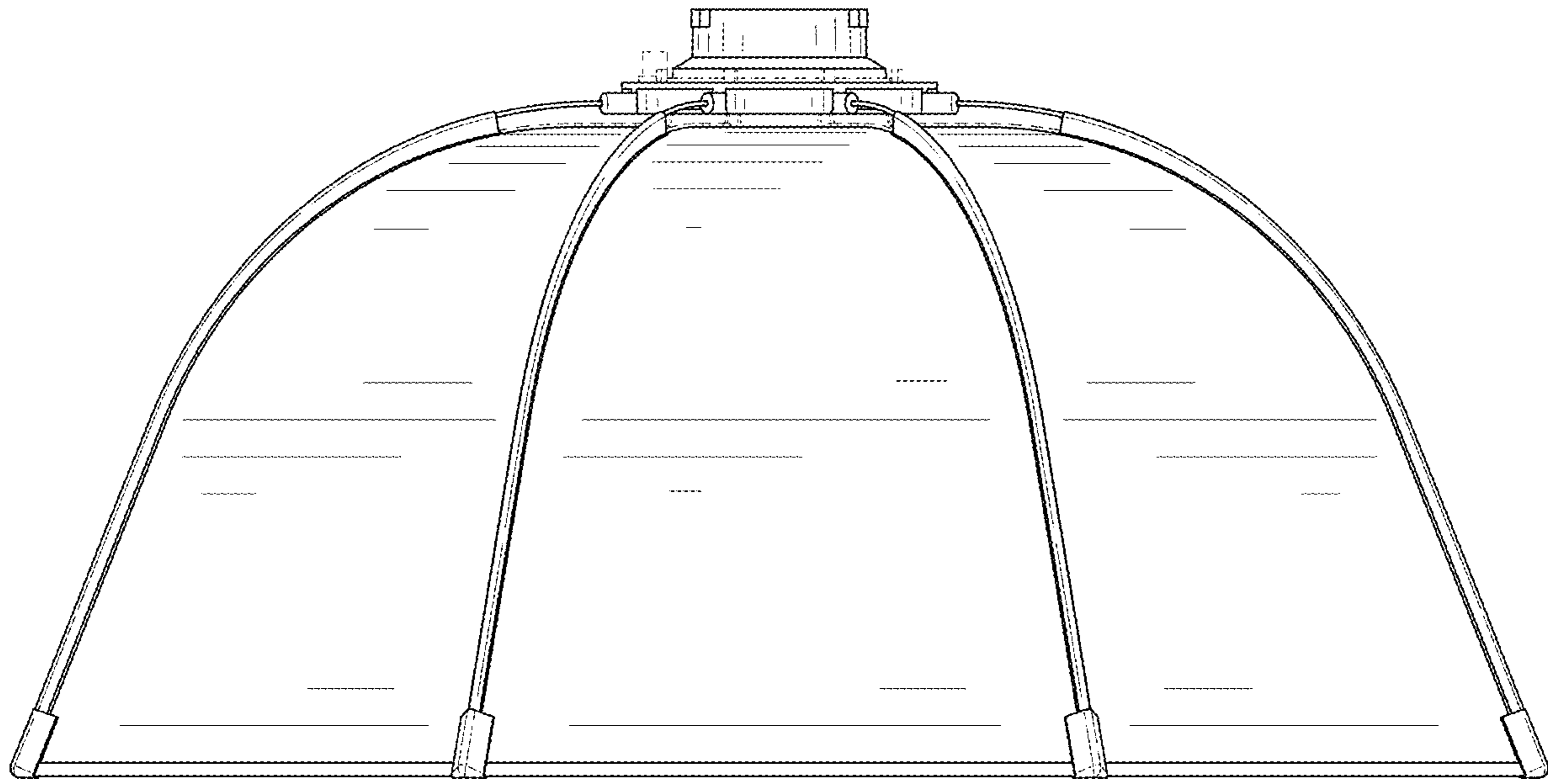


FIG. 5

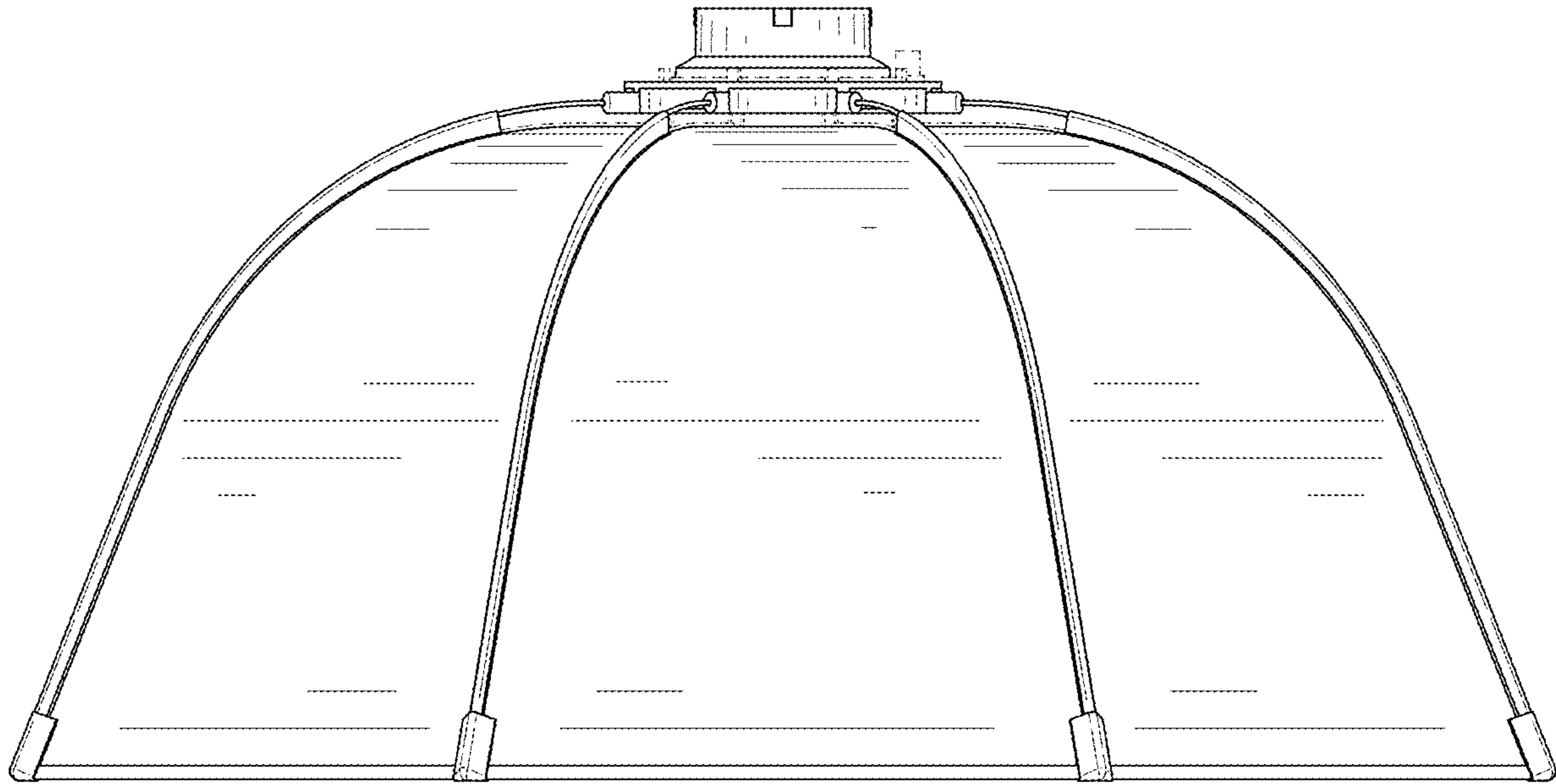


FIG. 6

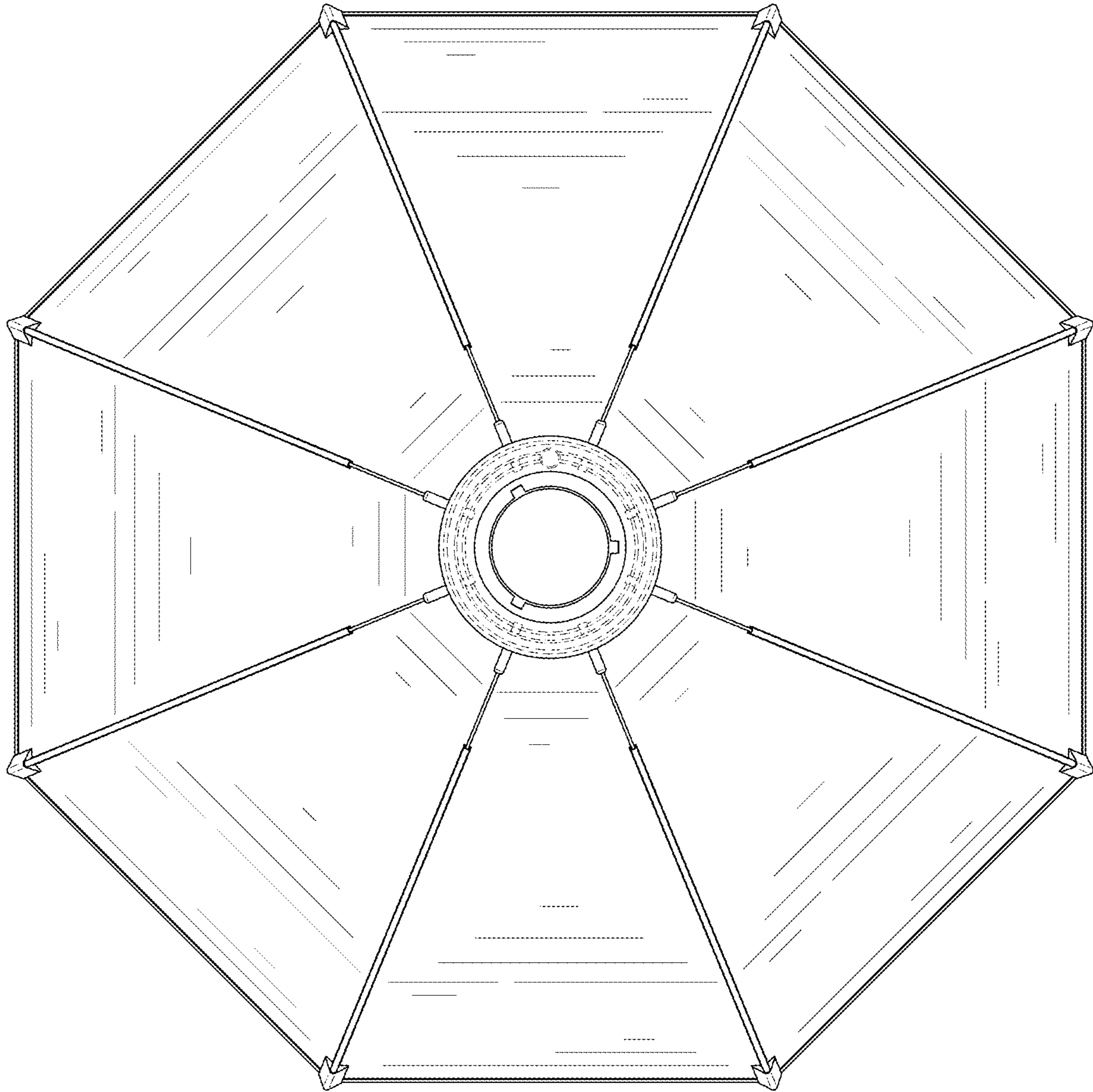


FIG. 7



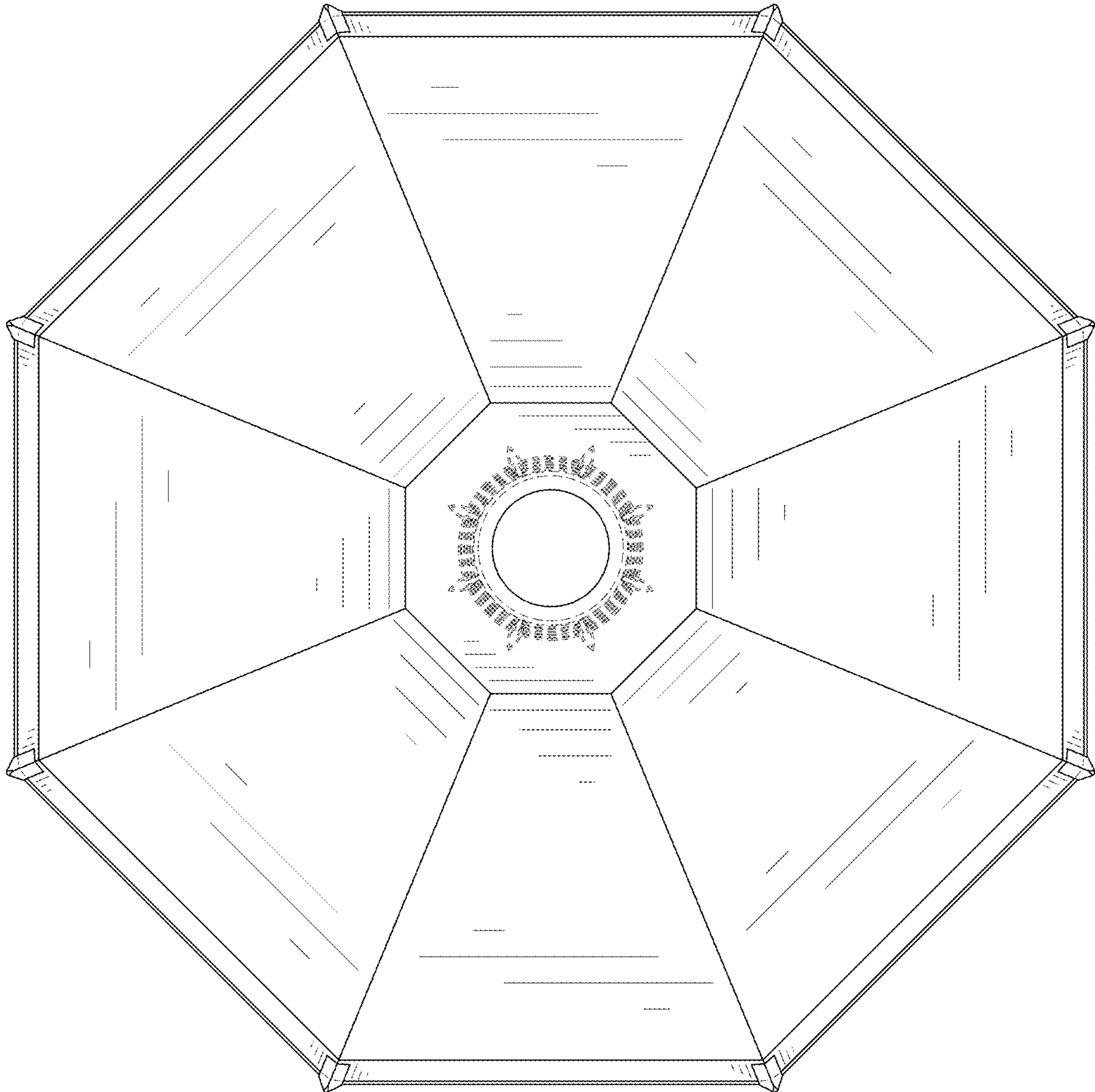


FIG. 8

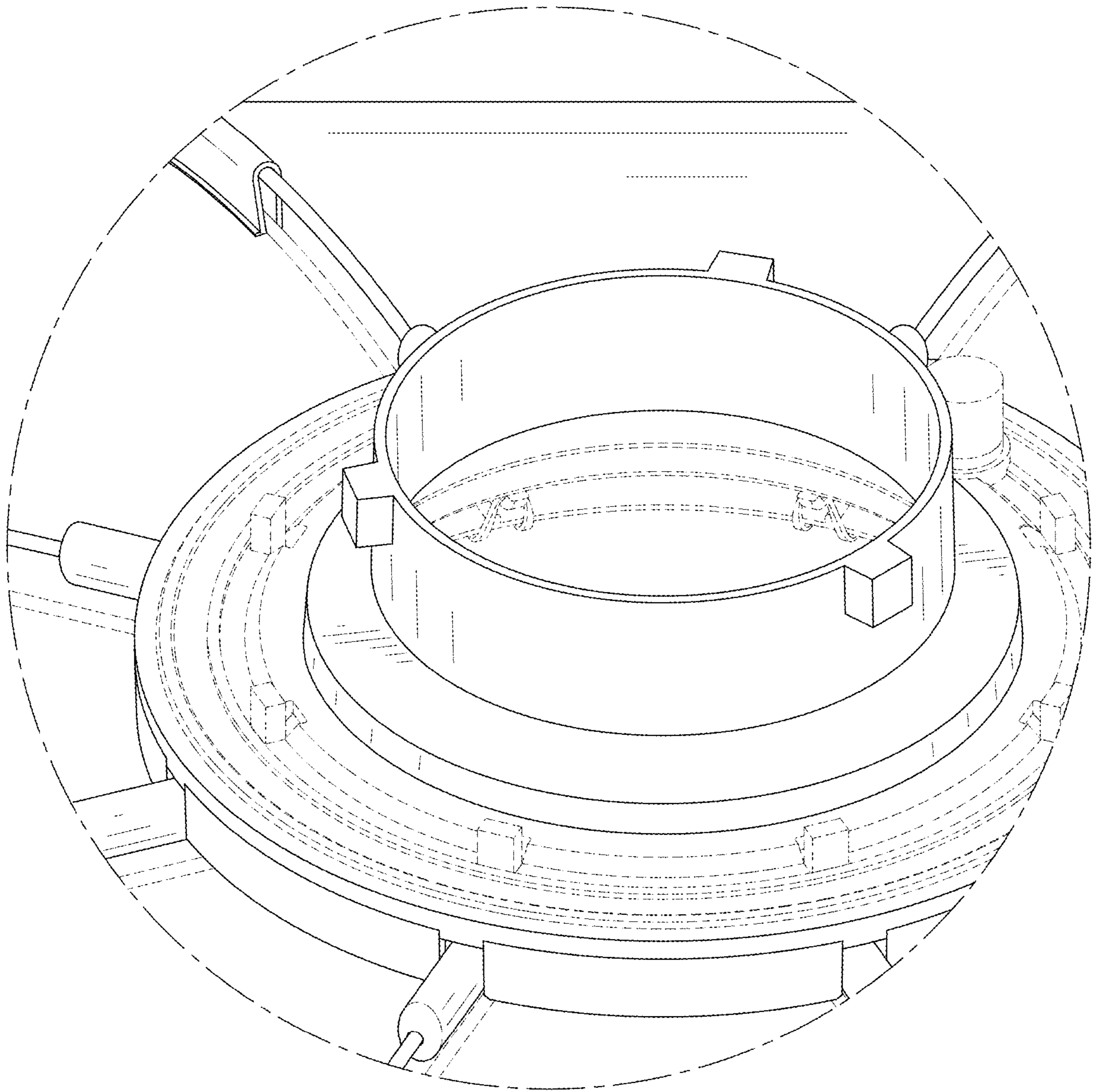


FIG. 9