



US00D888806S

(12) **United States Design Patent**
Tanaka et al.

(10) **Patent No.:** **US D888,806 S**
(45) **Date of Patent:** **** Jun. 30, 2020**

(54) **PROJECTOR**

(71) Applicant: **FUJIFILM Corporation**, Tokyo (JP)

(72) Inventors: **Kunihiko Tanaka**, Saitama (JP); **Koji Yoshida**, Saitama (JP)

(73) Assignee: **FUJIFILM Corporation**, Tokyo (JP)

(**) Term: **15 Years**

(21) Appl. No.: **29/675,493**

(22) Filed: **Jan. 2, 2019**

(30) **Foreign Application Priority Data**

Jul. 13, 2018 (JP) 2018-015539
Jul. 13, 2018 (JP) 2018-015540

(51) **LOC (12) Cl.** **16-02**

(52) **U.S. Cl.**
USPC **D16/229; D16/235**

(58) **Field of Classification Search**
USPC D16/221, 225, 229, 230, 235; D21/514
(Continued)

(56) **References Cited**

U.S. PATENT DOCUMENTS

D498,782 S * 11/2004 Ooshima D16/229
D554,685 S * 11/2007 Ishikawa D16/221
(Continued)

FOREIGN PATENT DOCUMENTS

JP 1611951 S 11/2018
JP 1613727 S 11/2018
JP 1618897 S 11/2018

OTHER PUBLICATIONS

A Notification mailed by the Japanese Patent Office dated Jan. 31, 2019, which corresponds to Japanese Design Application No. 2018-015539 and is related to Design U.S. Appl. No. 29/675,493.

(Continued)

Primary Examiner — John Windmuller

(74) *Attorney, Agent, or Firm* — Studebaker & Brackett PC

(57) **CLAIM**

The ornamental design for a projector, as shown and described.

DESCRIPTION

FIG. 1 is a top left perspective view of a projector showing our new design;

FIG. 2 is a front view thereof;

FIG. 3 is a rear view thereof;

FIG. 4 is a top plan view thereof;

FIG. 5 is a bottom plan view thereof;

FIG. 6 is a right side view thereof;

FIG. 7 is a left side view thereof;

FIG. 8 is a top left perspective view of the projector showing the projector, with a lens directed to a first direction;

FIG. 9 is a front view thereof;

FIG. 10 is a rear view thereof;

FIG. 11 is a top plan view thereof;

FIG. 12 is a bottom plan view thereof;

FIG. 13 is a right side view thereof;

FIG. 14 is a left side view thereof;

FIG. 15 is a top left perspective view of the projector showing the projector, with the lens directed to a second direction;

FIG. 16 is a top left perspective view of the projector showing the projector, with the lens directed to a third direction;

FIG. 17 is a top left perspective view of the projector showing the projector, with the lens directed to a fourth direction;

FIG. 18 is a top left perspective view of the projector showing the projector, with the lens directed to a fifth direction;

FIG. 19 is a top left perspective view of the projector showing the projector, with the lens directed to a sixth direction;

FIG. 20 is a top left perspective view of the projector showing the projector, with the lens directed to a seventh direction;

(Continued)

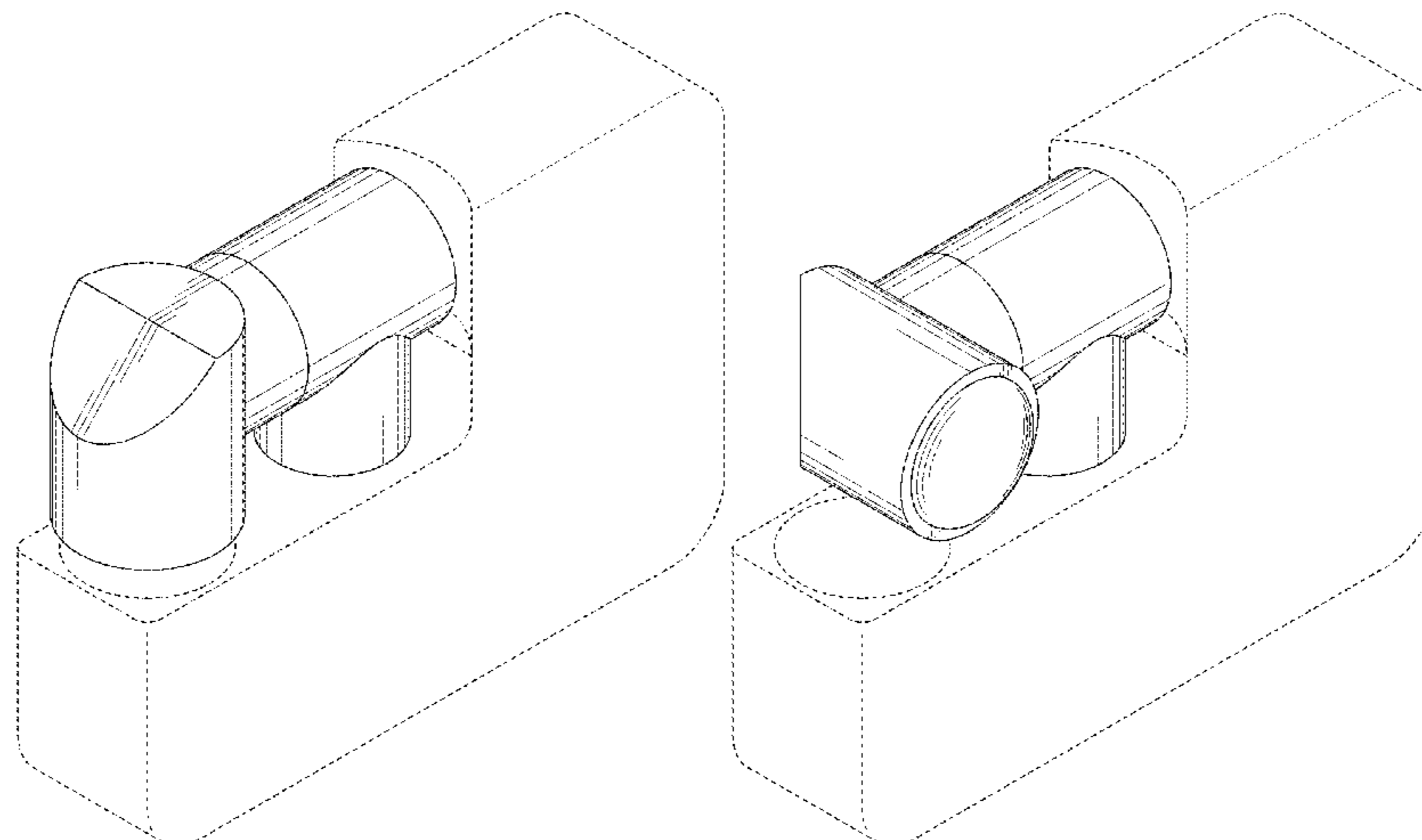


FIG. 21 is a top left perspective view of the projector showing the projector, with the lens directed to an eighth direction;

FIG. 22 is a top left perspective view of the projector showing the projector, with the lens directed to a ninth direction;

FIG. 23 is a top left perspective view of the projector showing the projector, with the lens directed to a tenth direction; and,

FIG. 24 is a top left perspective view of the projector showing the projector, with the lens directed to an eleventh direction.

The broken lines illustrate portions of the projector and form no part of the claimed design.

1 Claim, 22 Drawing Sheets

(58) **Field of Classification Search**

CPC G03B 3/02; G03B 21/00; G03B 21/001;
 G03B 21/003; G03B 21/12; G03B 21/14;
 G03B 21/142; G03B 21/145; G03B
 21/54; G03B 21/16

See application file for complete search history.

(56)

References Cited

U.S. PATENT DOCUMENTS

D648,365	S	*	11/2011	Tatara	D16/225
D665,442	S	*	8/2012	Tzeng	D16/225
D777,823	S	*	1/2017	Zeng	D16/225
D849,121	S	*	5/2019	Ito	D16/235
D856,398	S	*	8/2019	Ito	D16/235
D857,782	S	*	8/2019	Ito	D16/235
D857,783	S	*	8/2019	Kuroda	D16/235
D865,850	S	*	11/2019	Yoshida	D16/229
D866,644	S	*	11/2019	Kayano	D16/235
D866,645	S	*	11/2019	Kayano	D16/235
D877,794	S	*	3/2020	Tanaka	D16/229
D877,797	S	*	3/2020	Tanaka	D16/235
D877,798	S	*	3/2020	Tanaka	D16/235
D877,799	S	*	3/2020	Tanaka	D16/235
D877,801	S	*	3/2020	Tanaka	D16/235
D878,453	S	*	3/2020	Tanaka	D16/235

OTHER PUBLICATIONS

A Notification mailed by the Japanese Patent Office dated Jan. 31, 2019, which corresponds to Japanese Design Application No. 2018-015540 and is related to Design U.S. Appl. No. 29/675,493.

* cited by examiner

FIG. 1

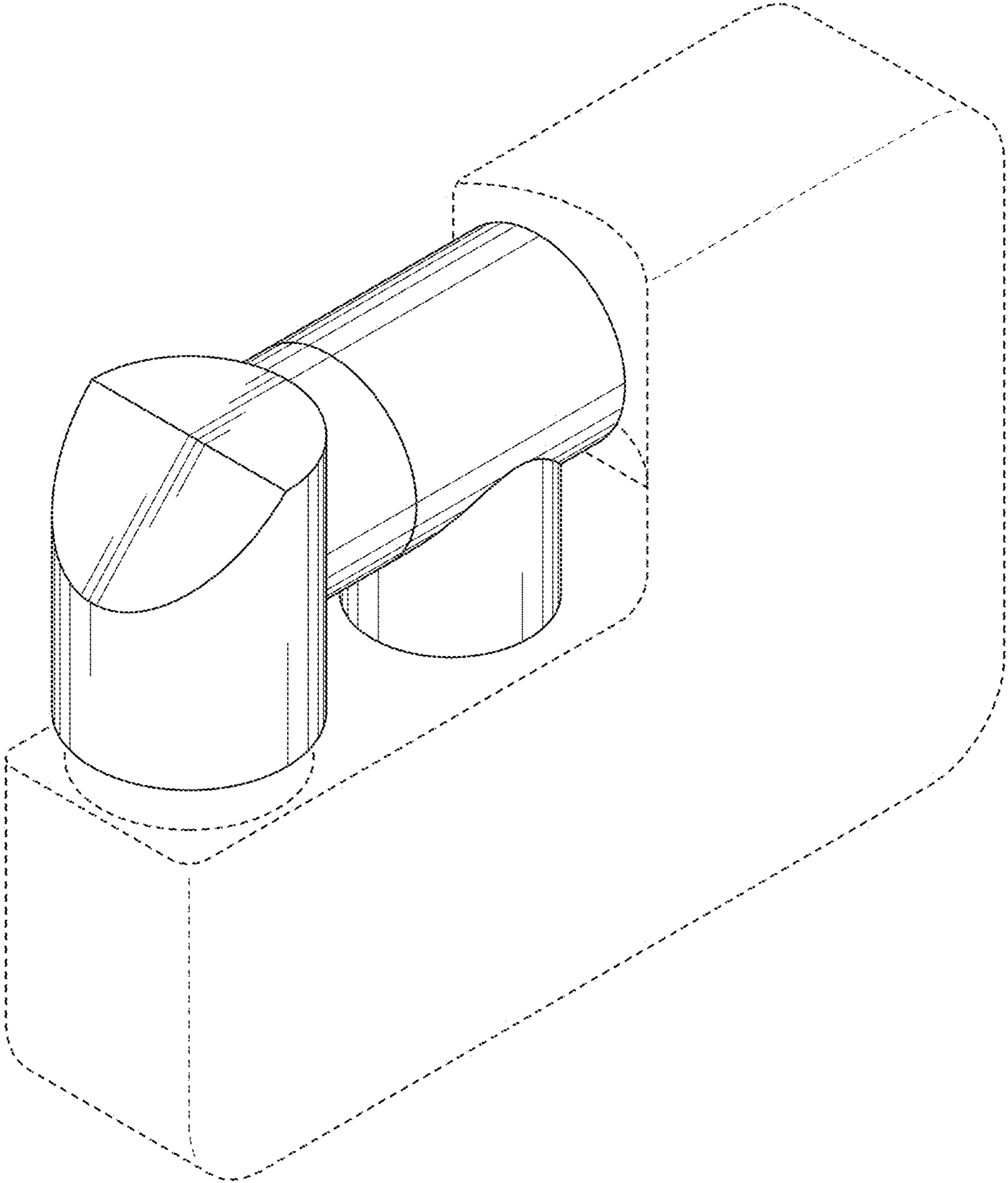


FIG. 2

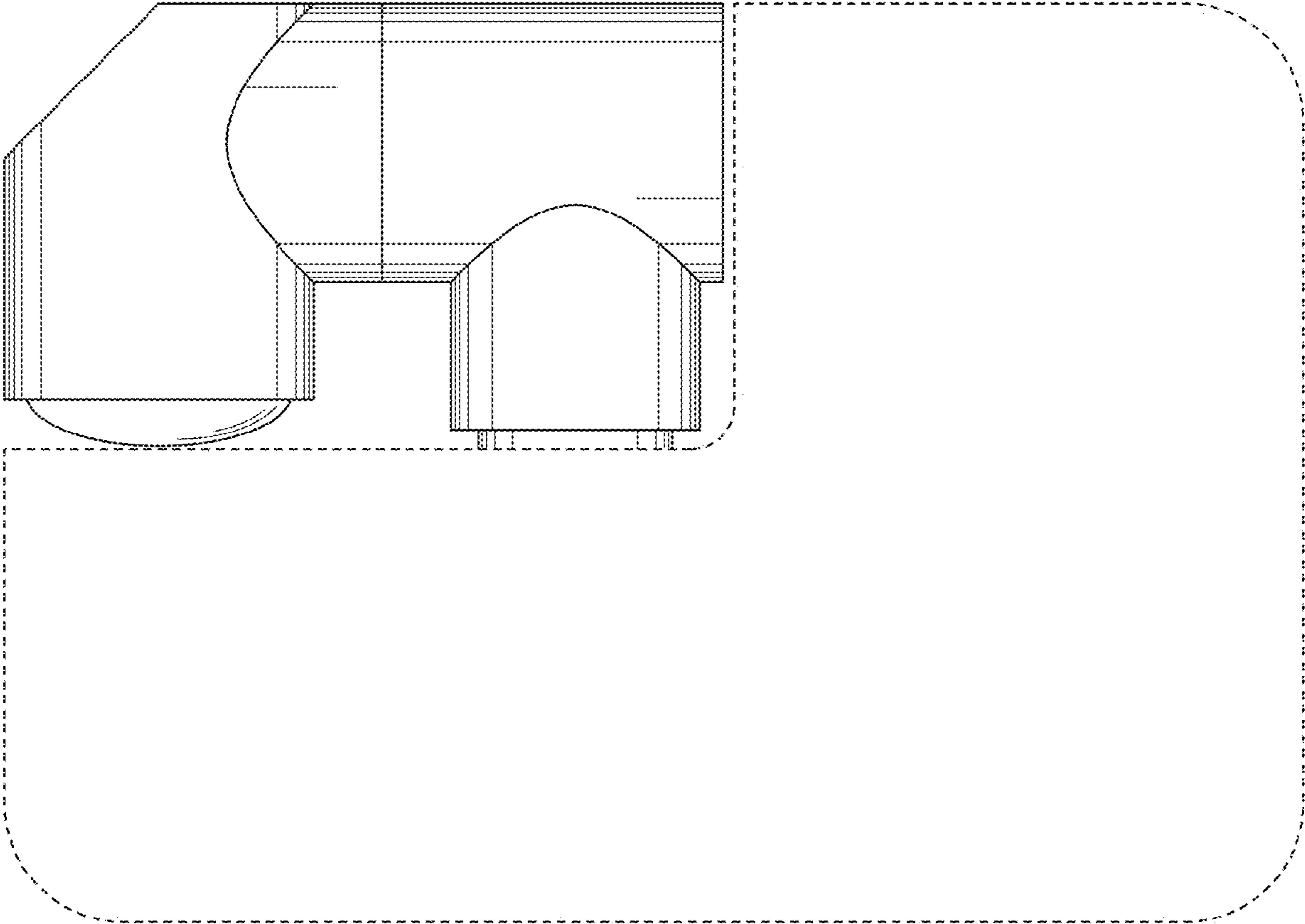


FIG. 3

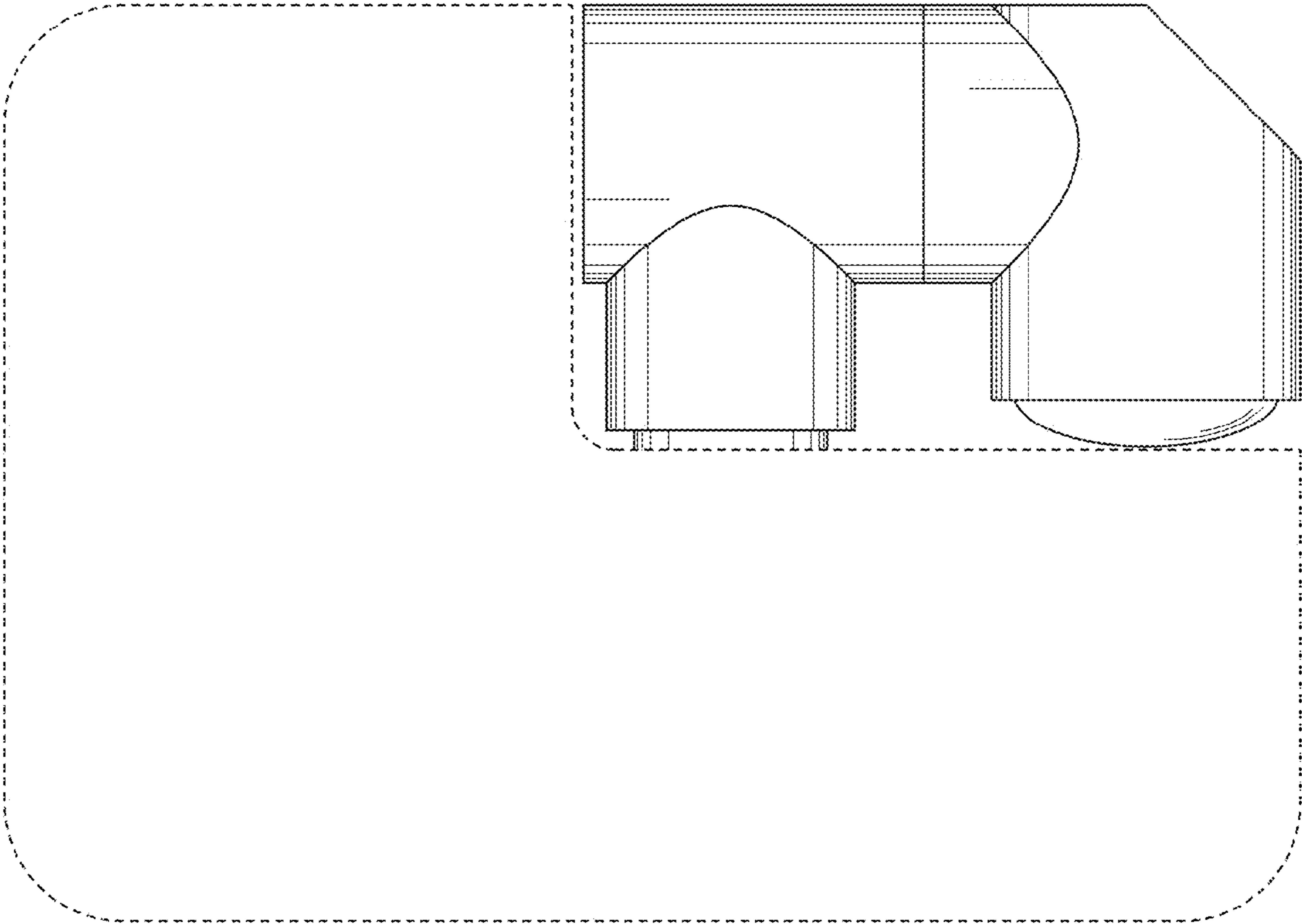


FIG. 4

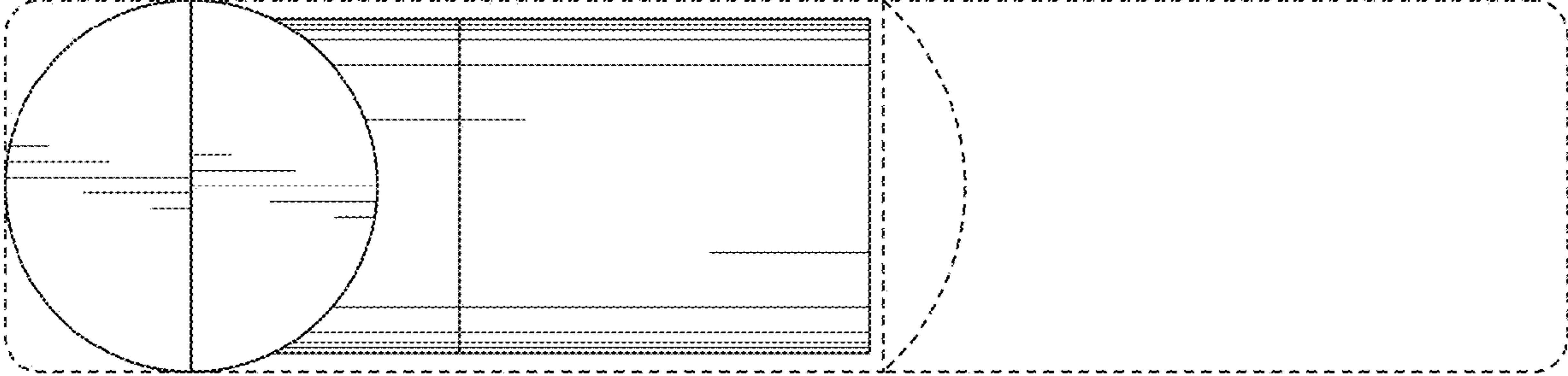


FIG. 5



FIG. 6

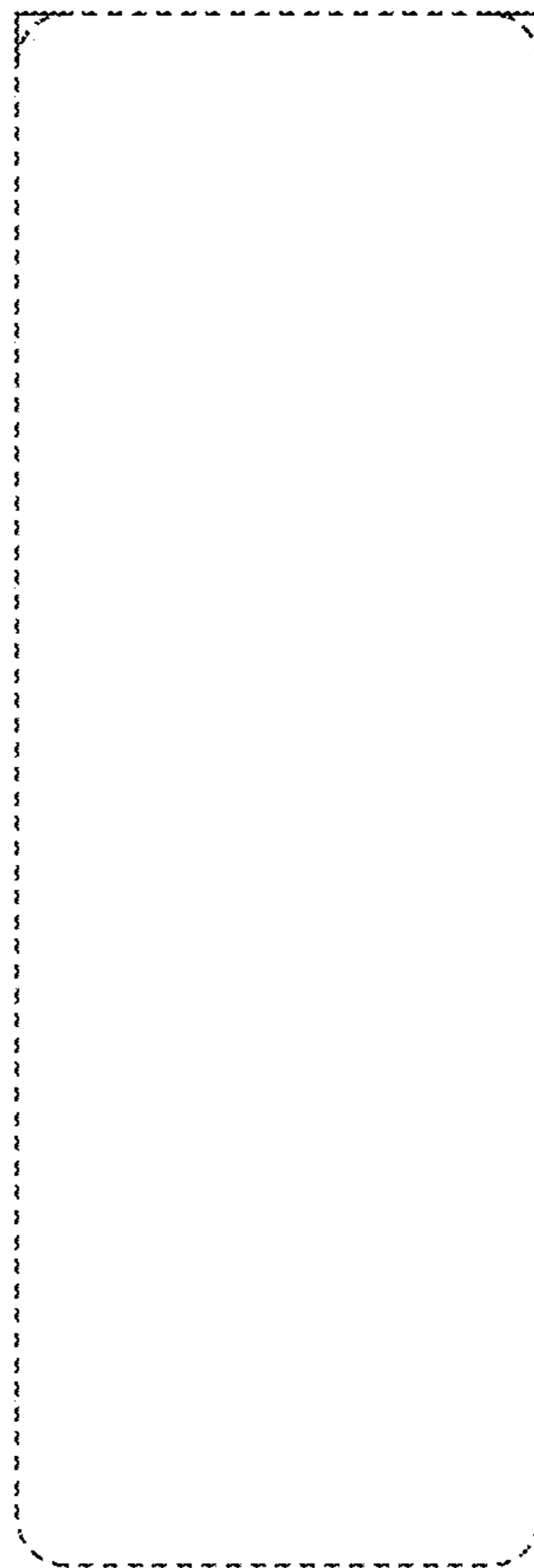


FIG. 7

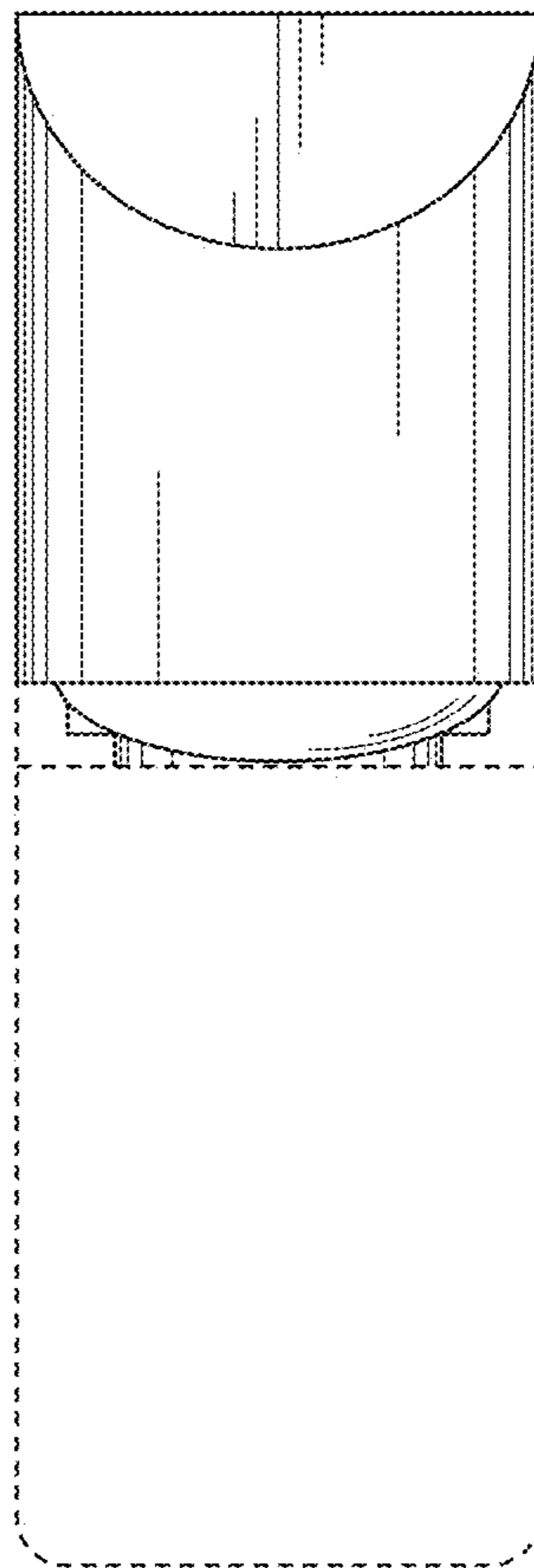


FIG. 8

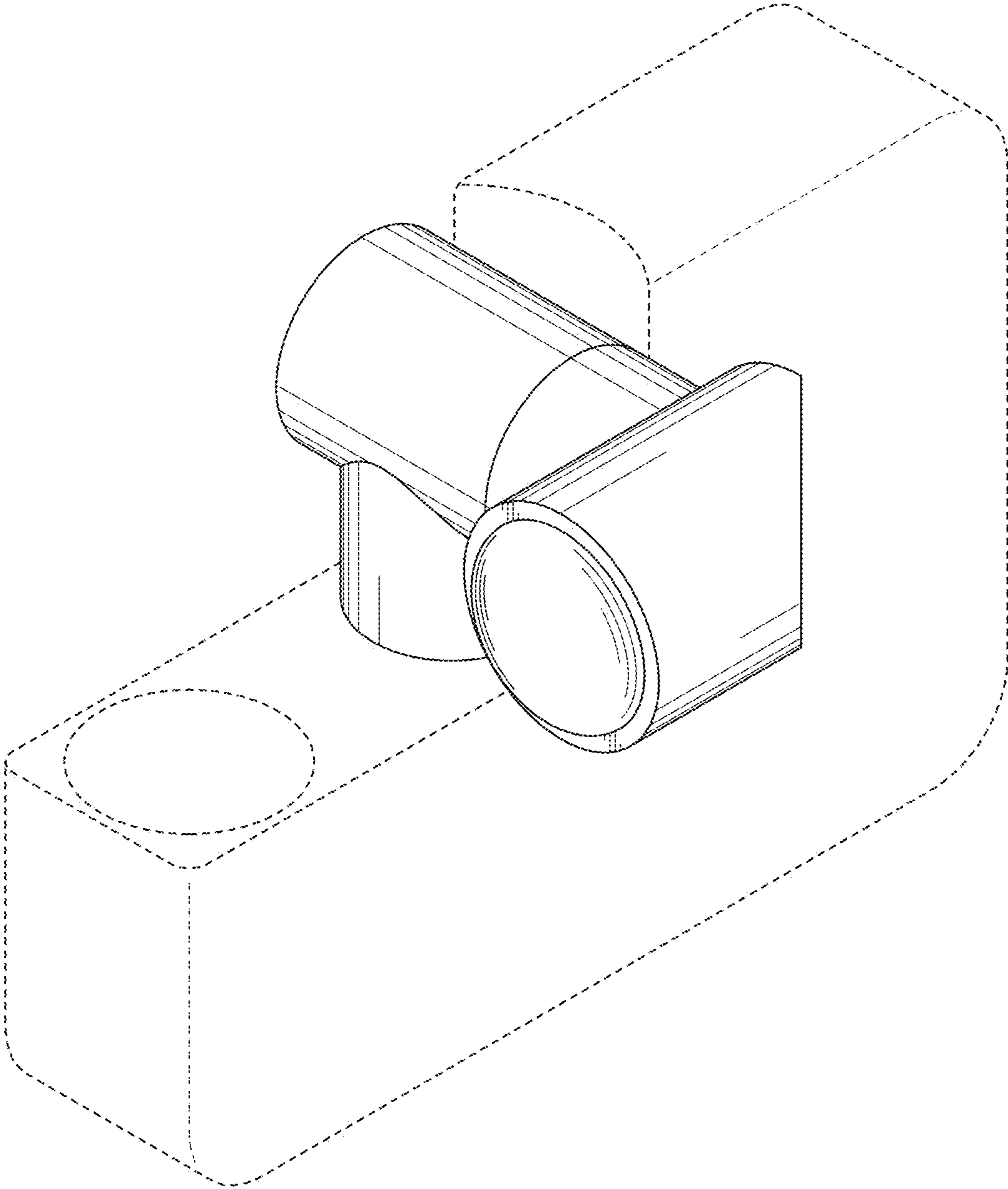


FIG. 9

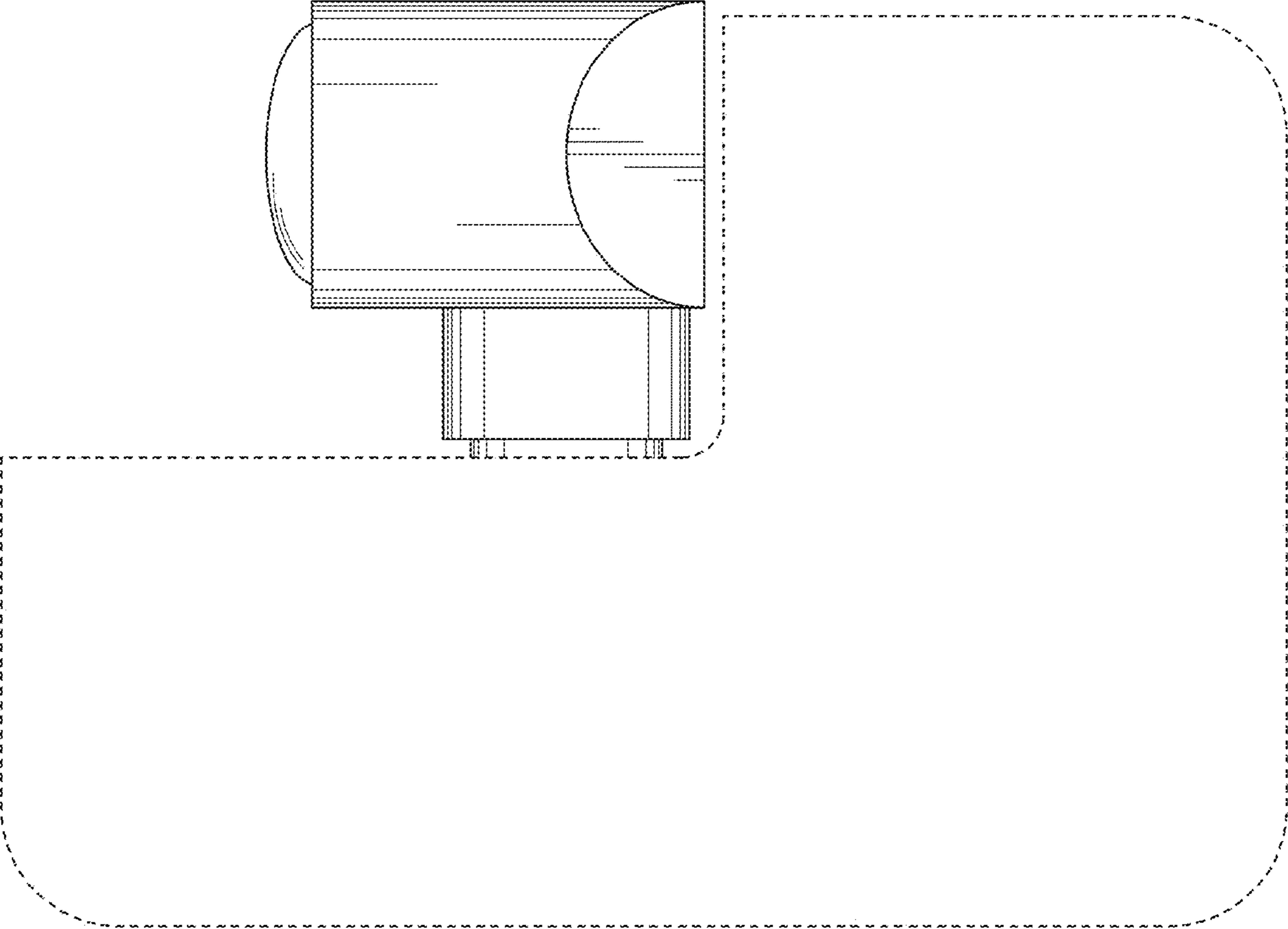


FIG. 10

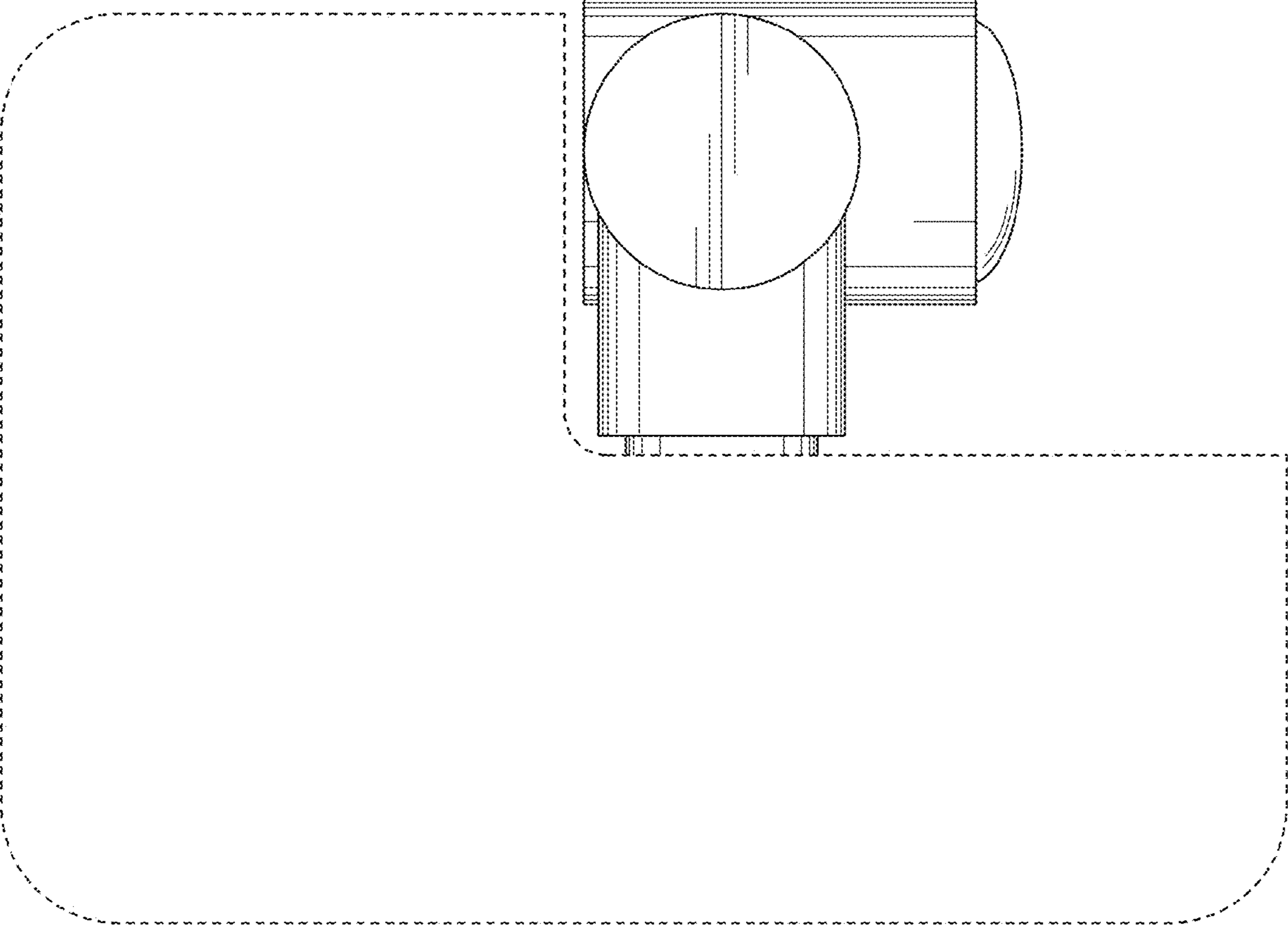


FIG. 11

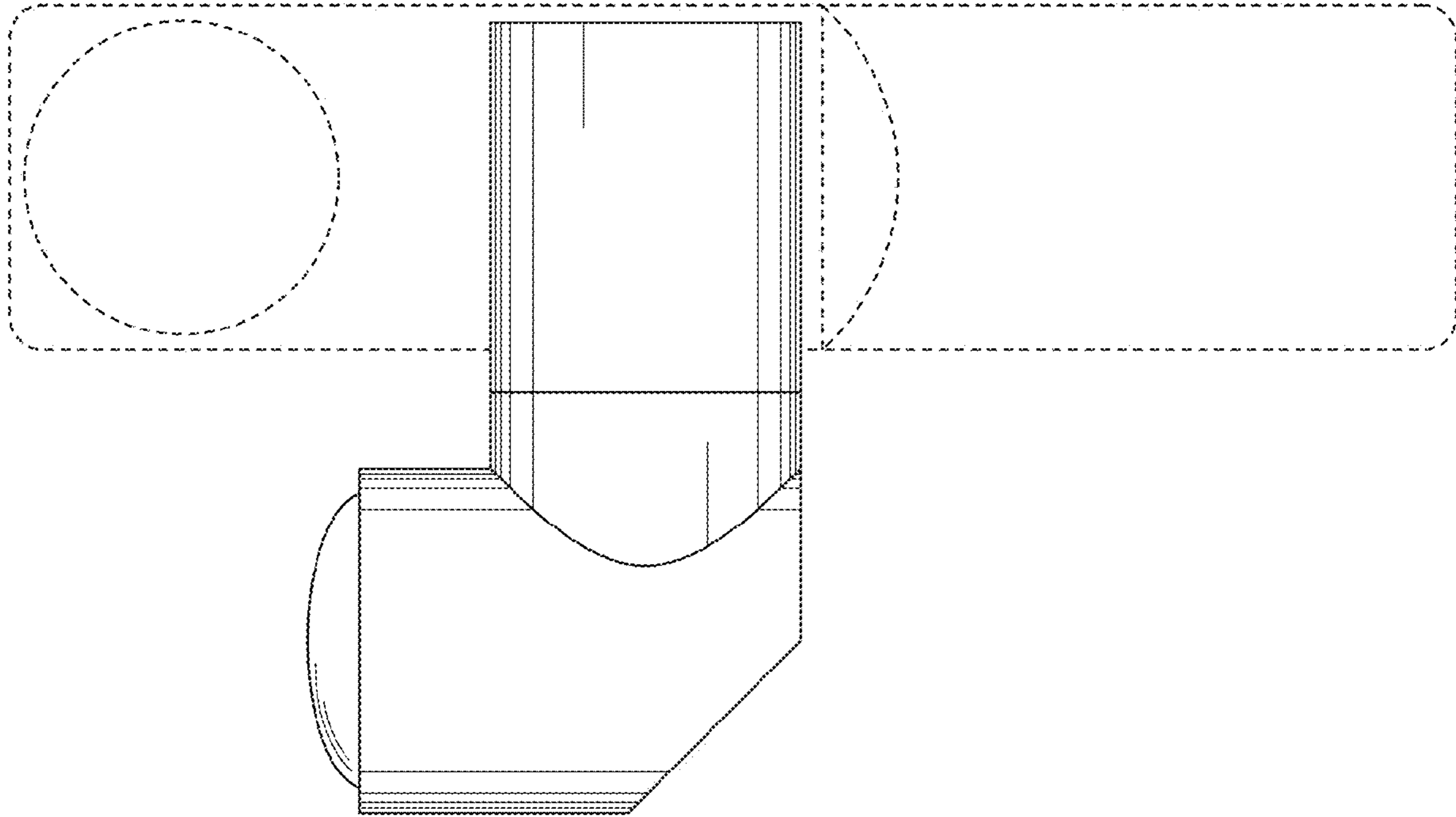


FIG. 12

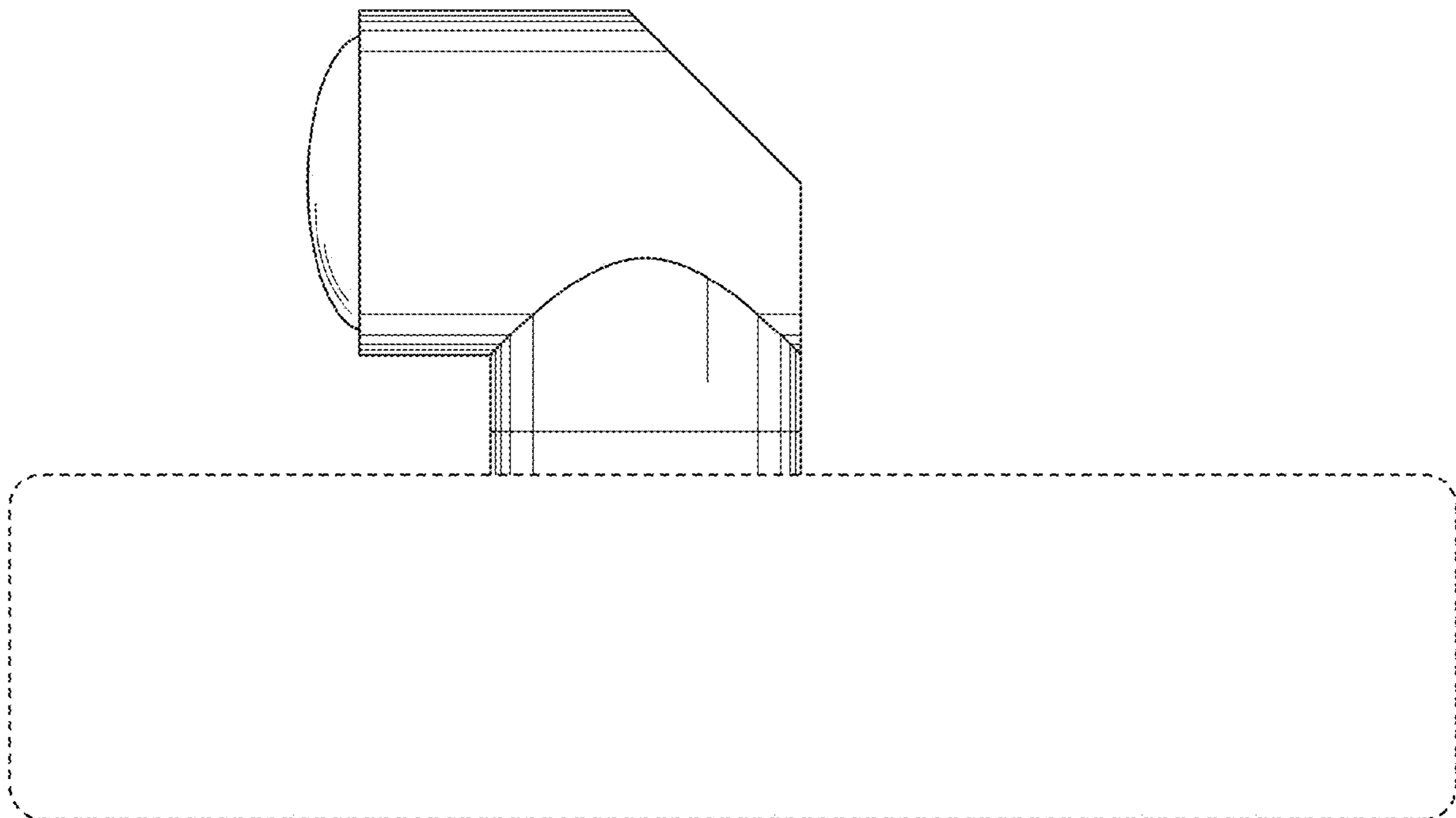


FIG. 13

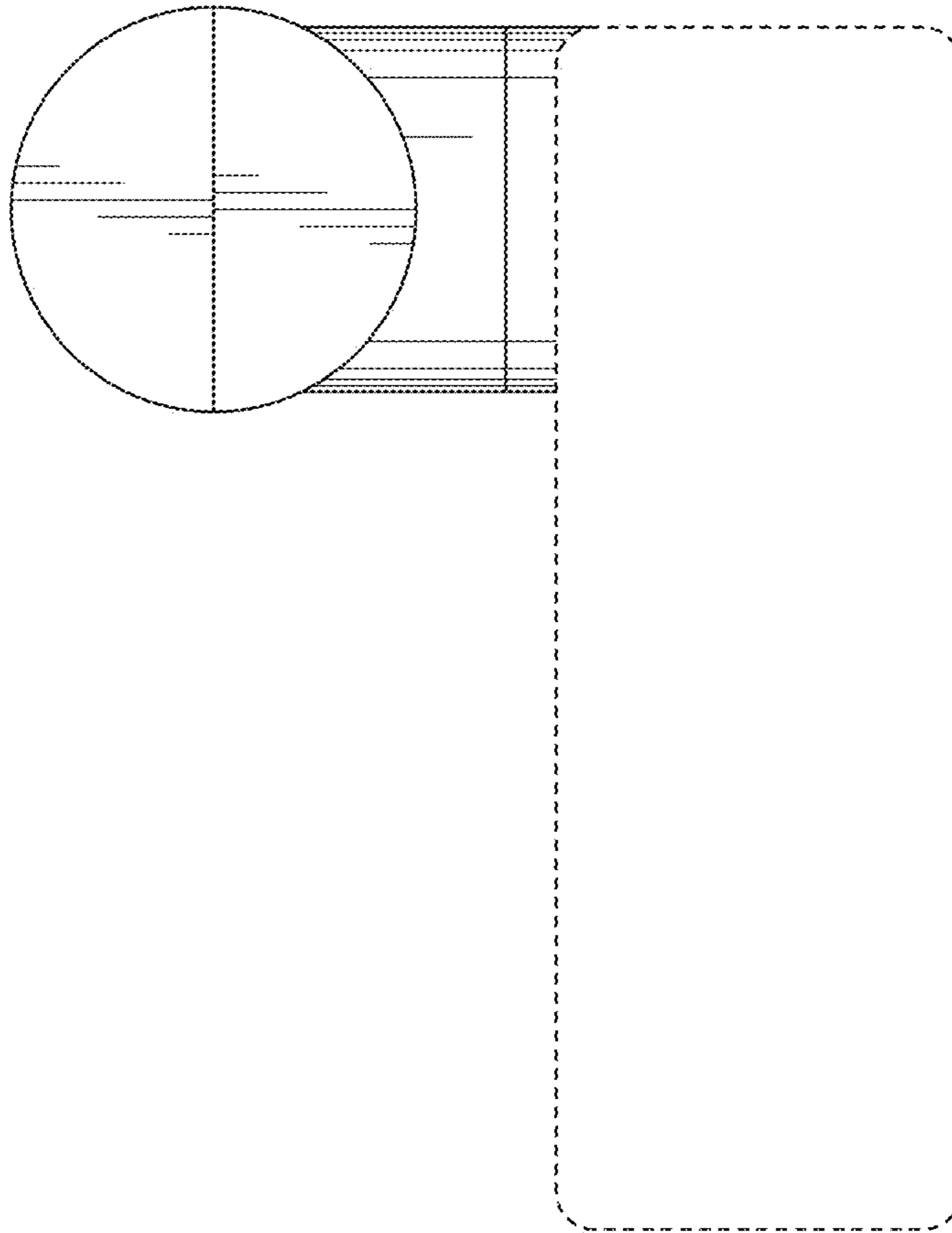


FIG. 14

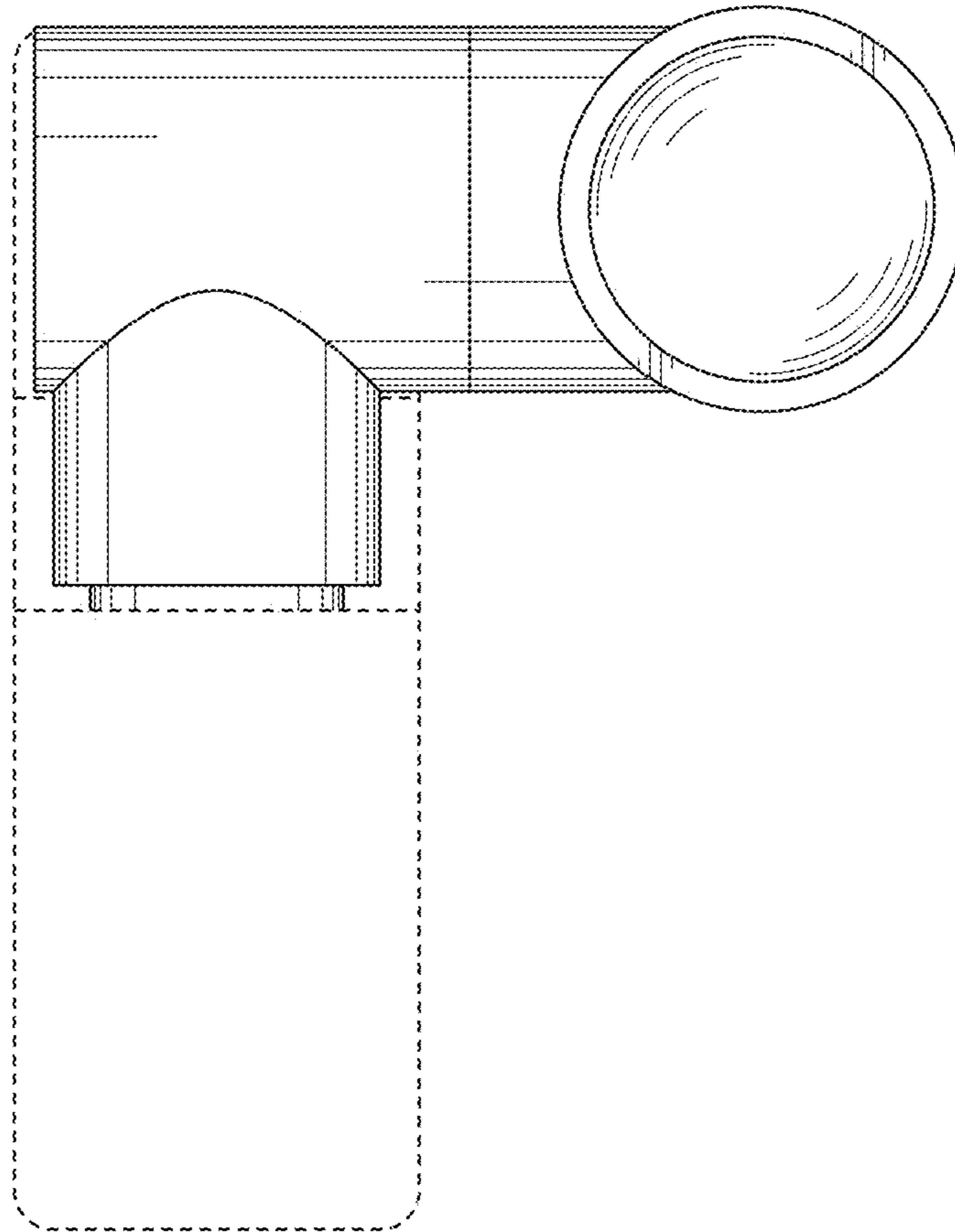


FIG. 15

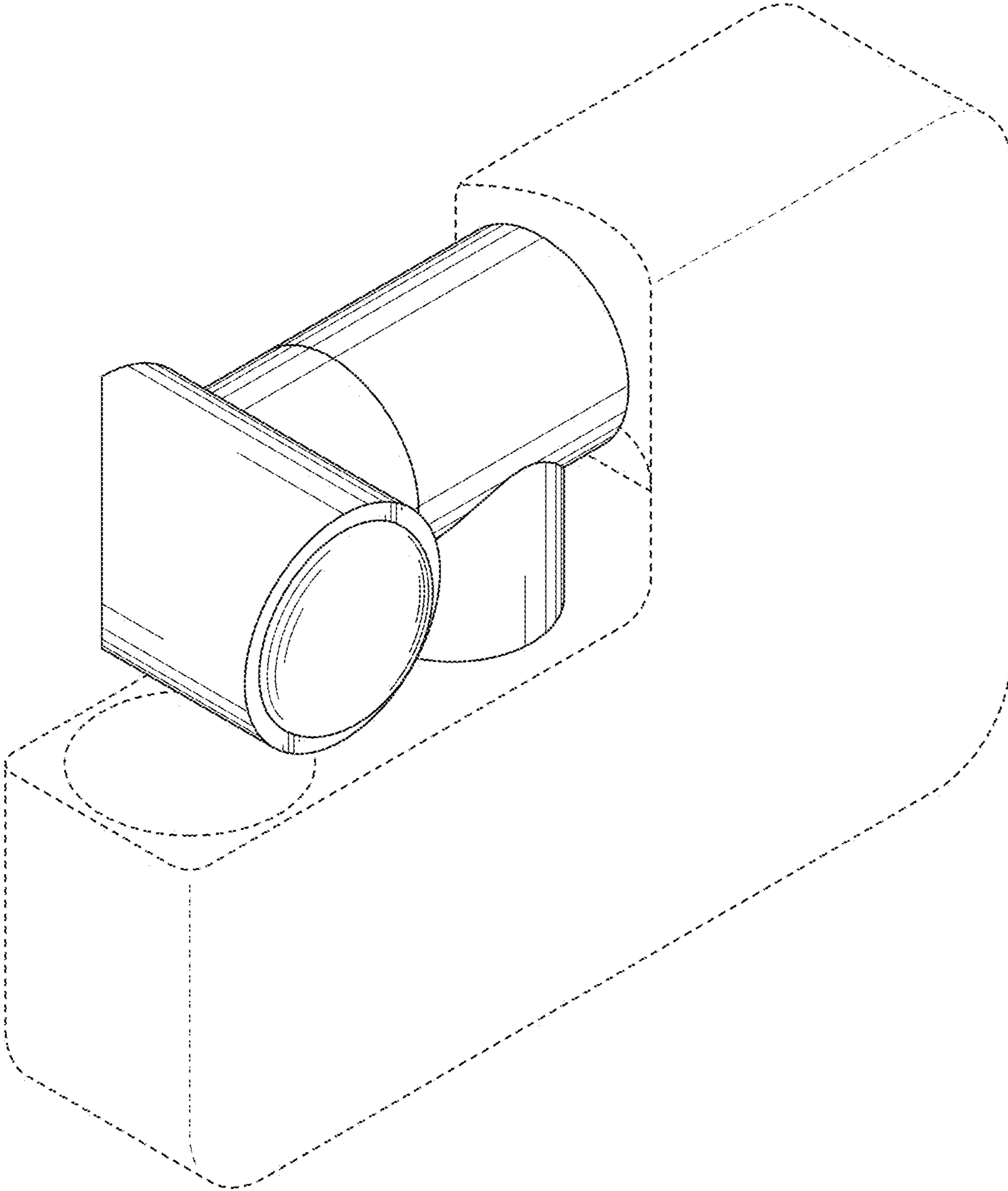


FIG. 16

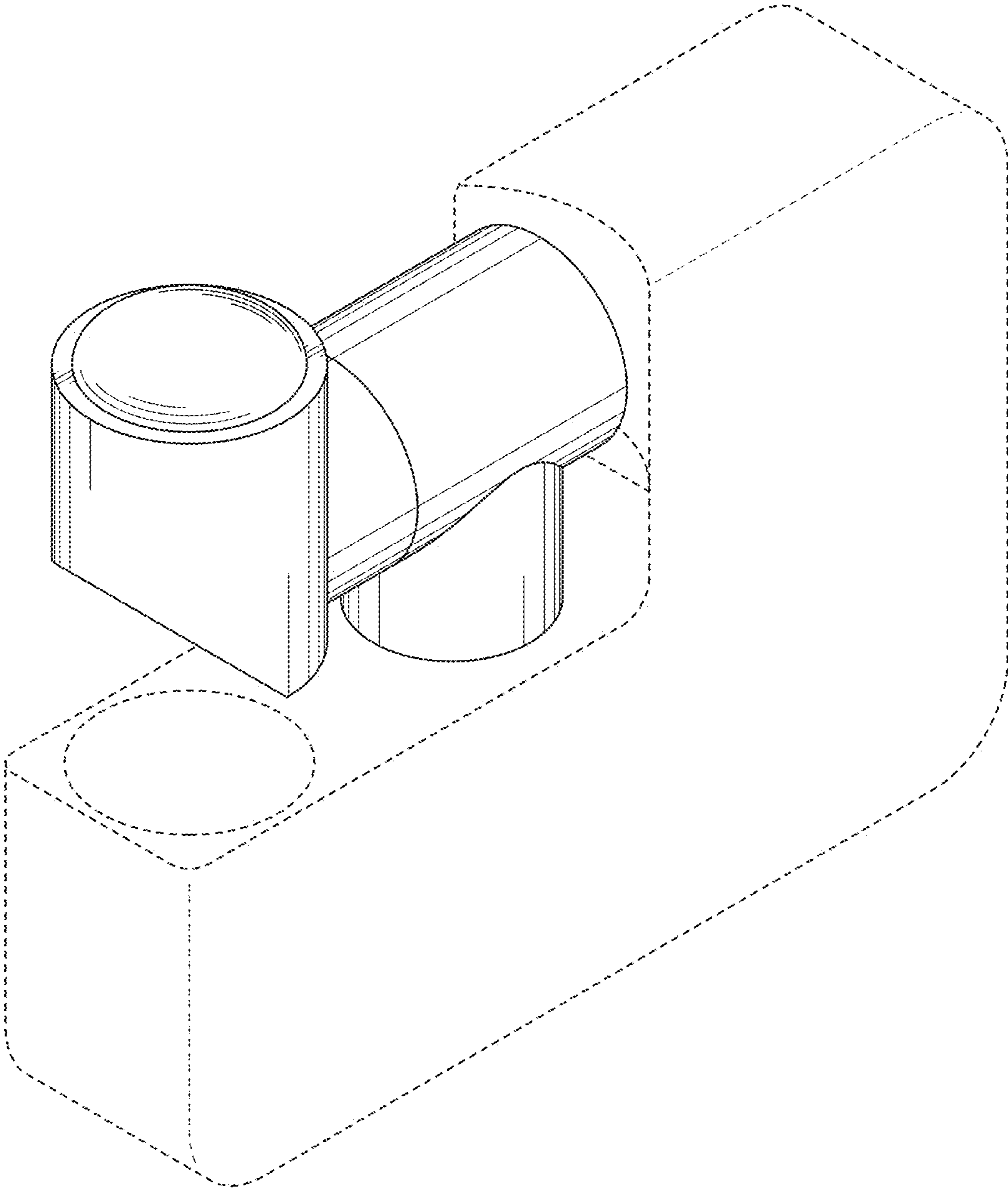


FIG. 17

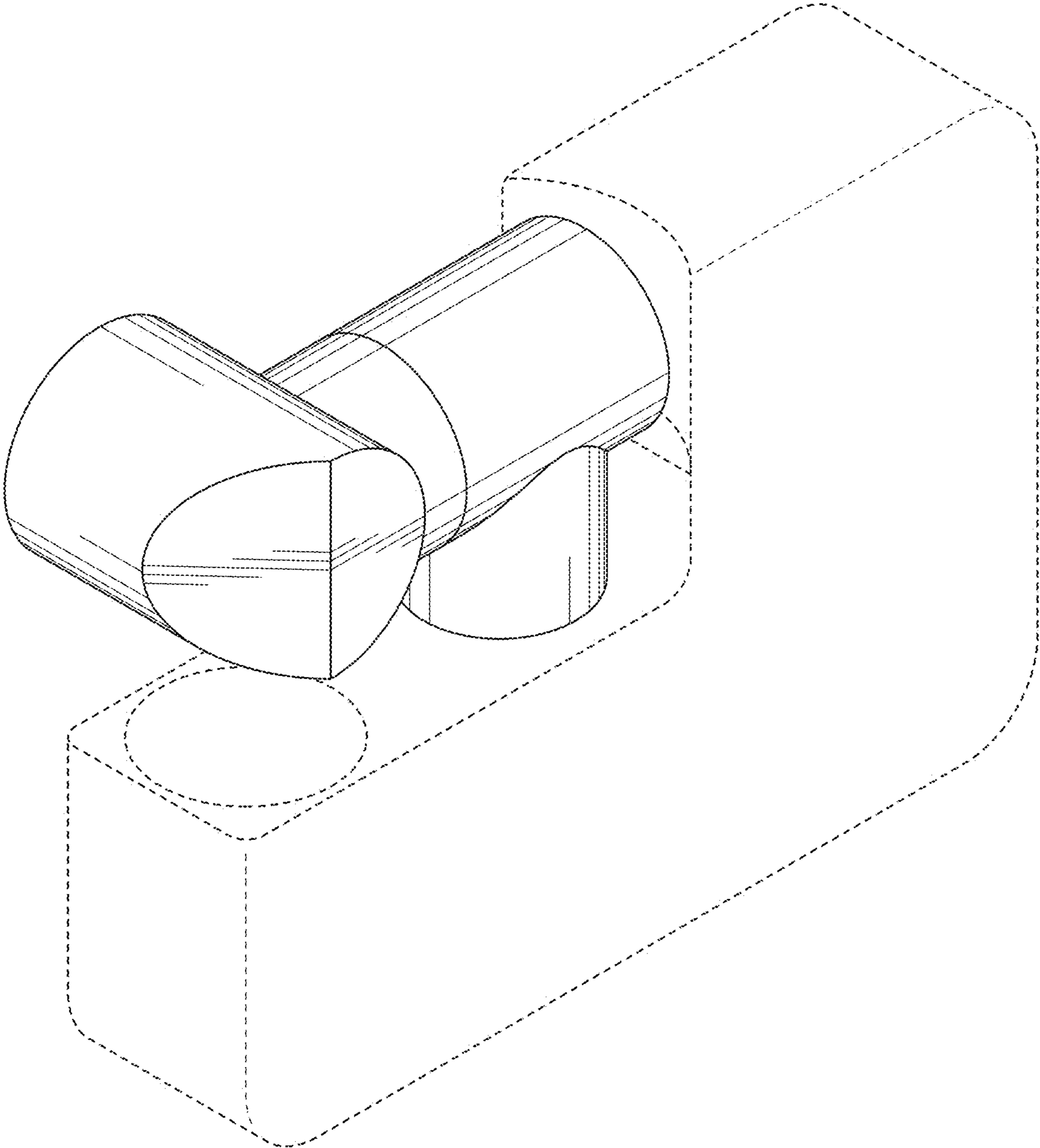


FIG. 18

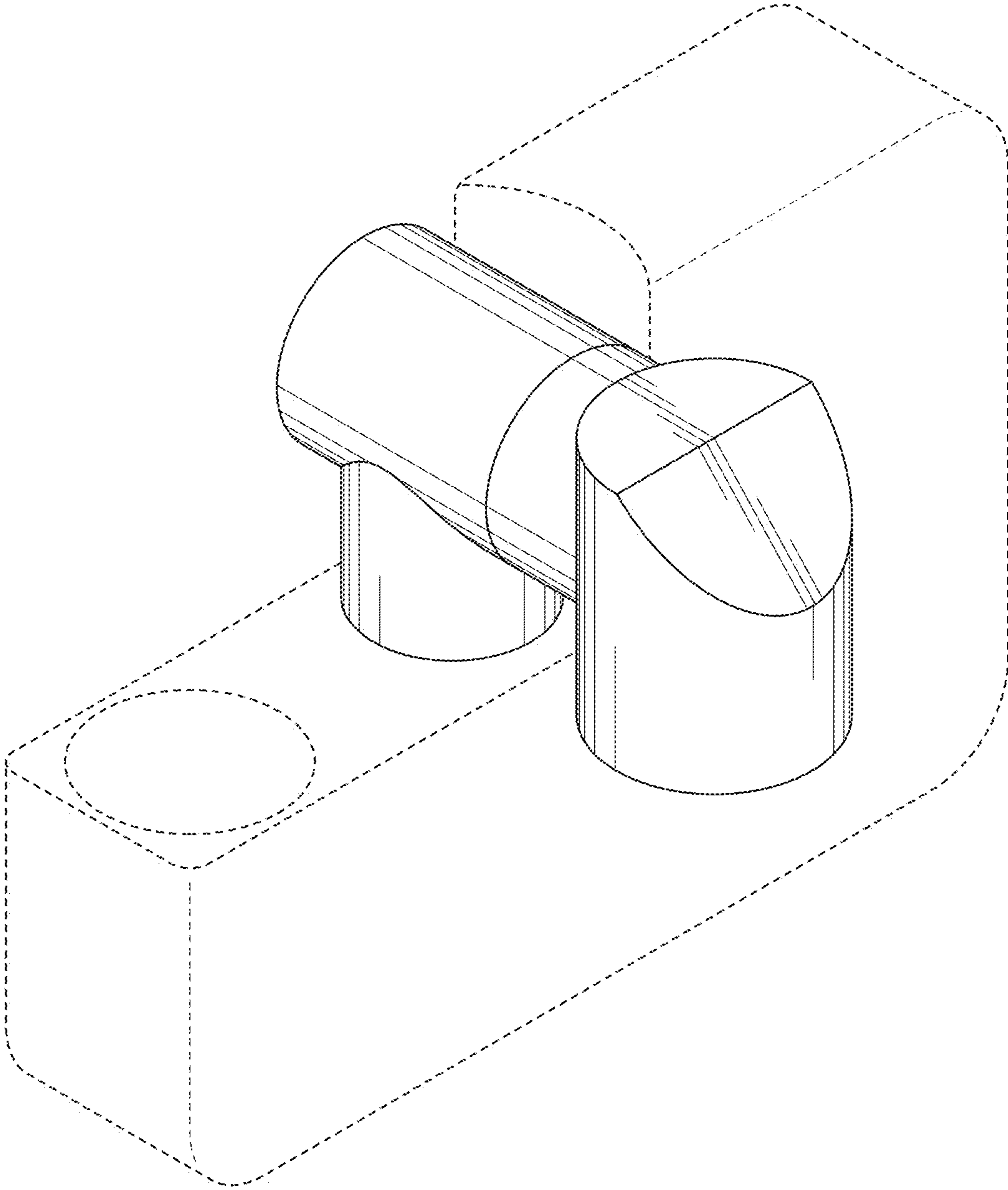


FIG. 19

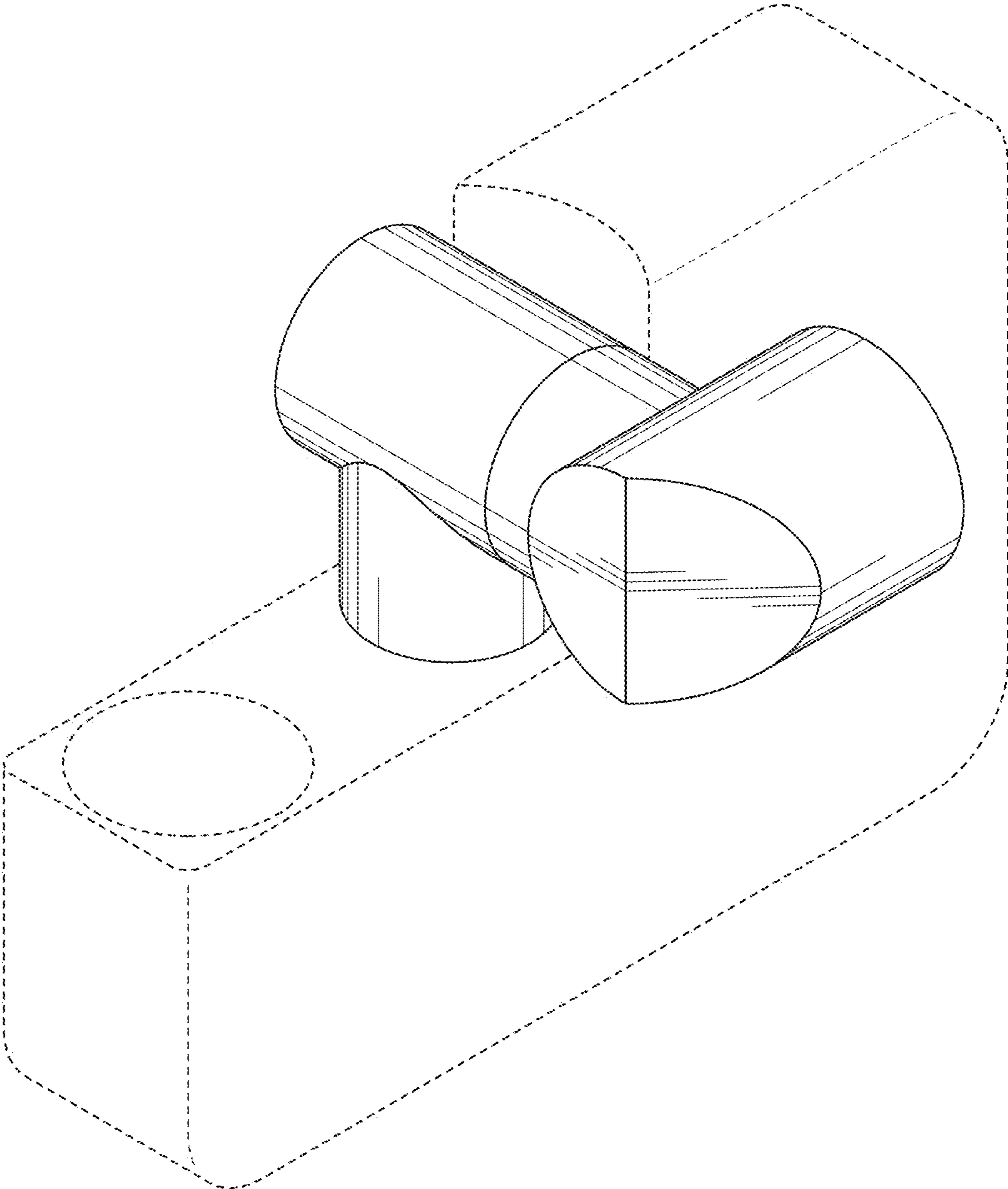


FIG. 20

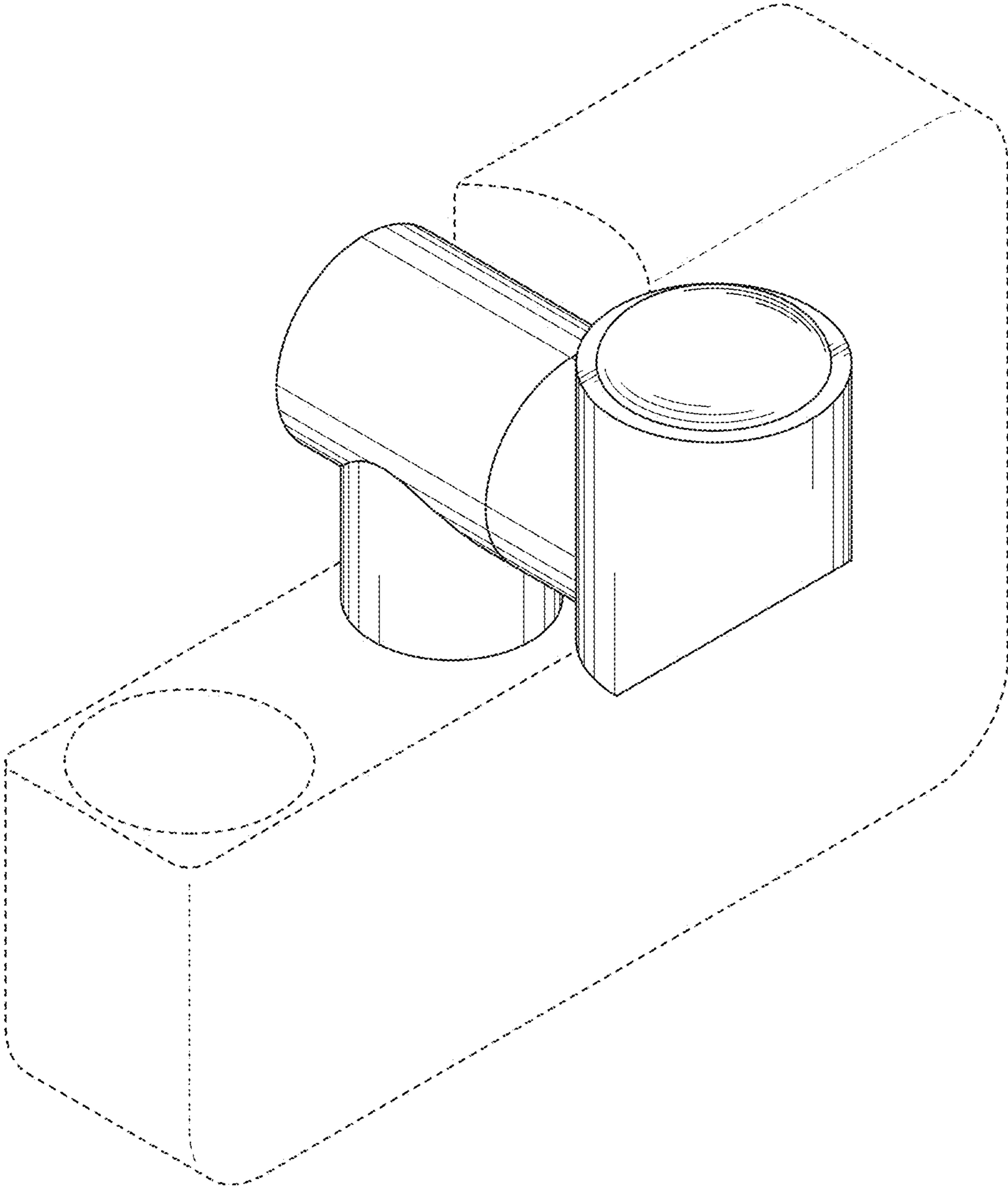


FIG. 21

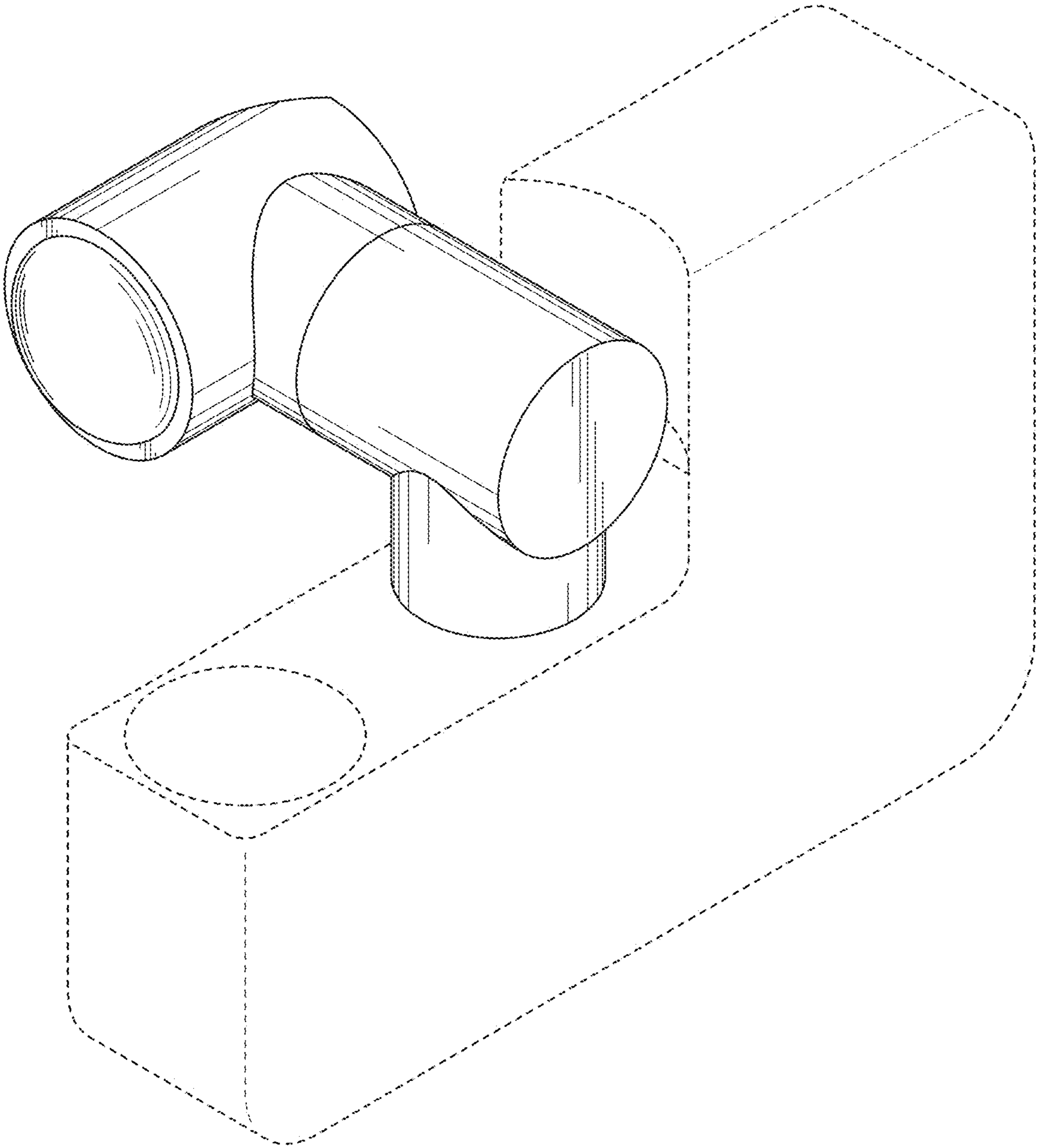


FIG. 22

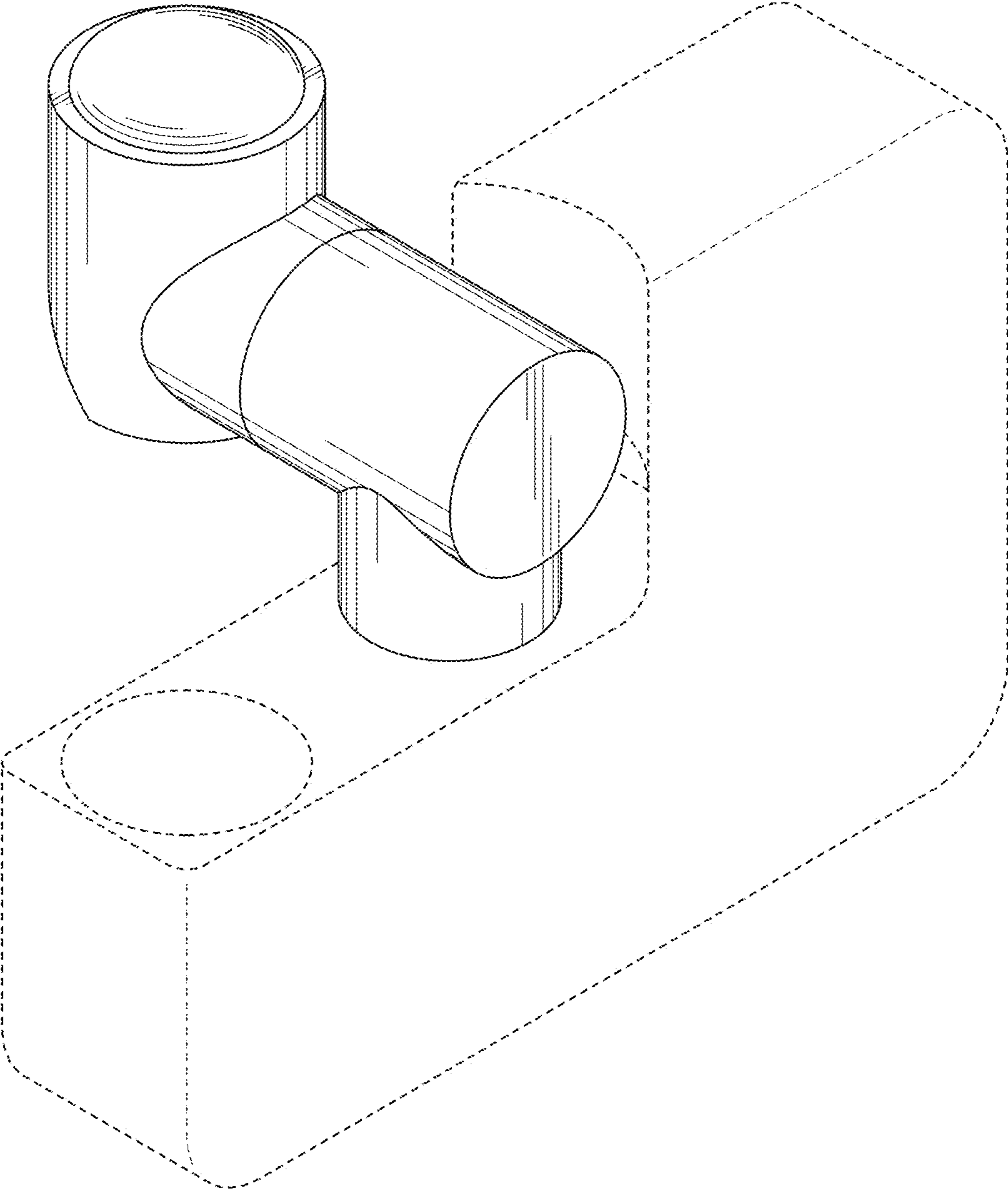


FIG. 23

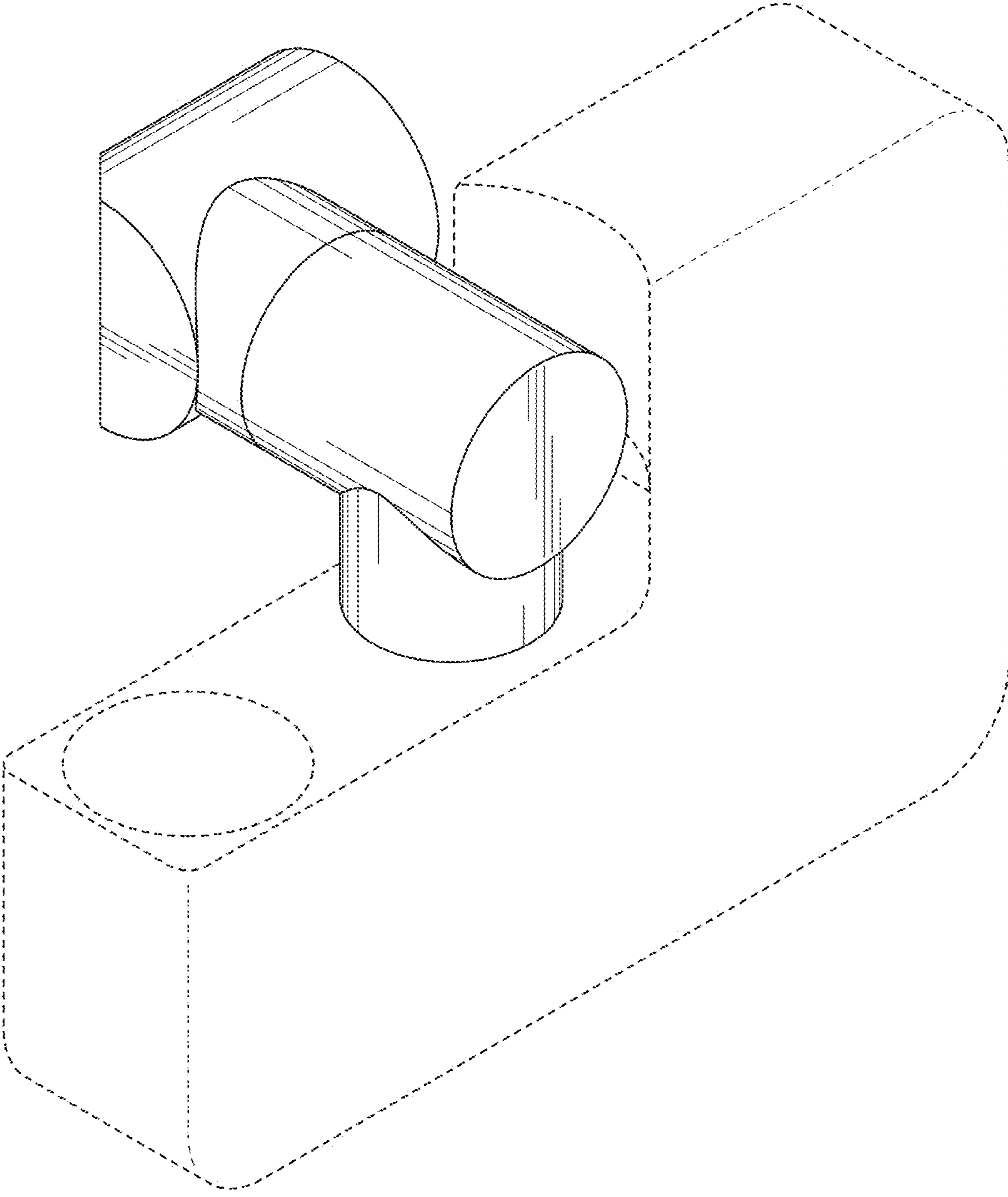


FIG. 24

