



US00D888805S

(12) **United States Design Patent** (10) **Patent No.:** **US D888,805 S**
Liu (45) **Date of Patent:** **** Jun. 30, 2020**

(54) **COVER FOR A CAMERA**

(56) **References Cited**

(71) Applicant: **HANGZHOU HIKVISION DIGITAL TECHNOLOGY CO., LTD.**, Hangzhou (CN)

U.S. PATENT DOCUMENTS

(72) Inventor: **Yao Liu**, Hangzhou (CN)

D694,306 S	11/2013	Katori et al.	
D721,755 S	1/2015	Ahman et al.	
D745,916 S	12/2015	Oh	
D747,509 S *	1/2016	Liang	D26/24
D758,470 S	6/2016	Kircher et al.	
D777,235 S *	1/2017	Jang	D16/203
D784,963 S *	4/2017	Saule	D14/228
D791,849 S	7/2017	Zhang	
D793,464 S	8/2017	Donaldson	
D795,058 S *	8/2017	Buck	D9/428
D798,934 S	10/2017	Wu	
D801,407 S	10/2017	Kullgren et al.	
D803,926 S *	11/2017	Katori	D16/219
D811,462 S	2/2018	Axelsson et al.	
D814,544 S	4/2018	Moon et al.	
D815,926 S	4/2018	Lee et al.	
D816,755 S	5/2018	Barnekow et al.	

(73) Assignee: **HANGZHOU HIKVISION DIGITAL TECHNOLOGY CO., LTD.**, Hangzhou (CN)

(**) Term: **15 Years**

(21) Appl. No.: **29/716,168**

(22) Filed: **Dec. 6, 2019**

Related U.S. Application Data

(63) Continuation of application No. 29/642,356, filed on Mar. 29, 2018.

(30) **Foreign Application Priority Data**

Sep. 30, 2017 (CN) 2017 3 0474511

(51) **LOC (12) Cl.** **16-05**

(52) **U.S. Cl.**
USPC **D16/219**

(58) **Field of Classification Search**

USPC D16/200, 202–206, 218, 219, 242;
348/143, 148, 151, 373–376; 396/419,
396/427, 535, 539–541
CPC G03B 17/02; G03B 19/04; G03B 17/56;
G03B 17/04; G03B 15/03; H04N 5/2251;
H04N 5/2252; H04N 5/2253; H04N
5/2254; H04N 7/181; H04N 7/183; H04N
7/18; G08B 13/1963; G08B 13/19619;
G08B 13/19632; F16M 11/04; F16M
13/00

See application file for complete search history.

(Continued)

Primary Examiner — Ramzi S Almatrahi

(74) *Attorney, Agent, or Firm* — Norton Rose Fulbright US LLP

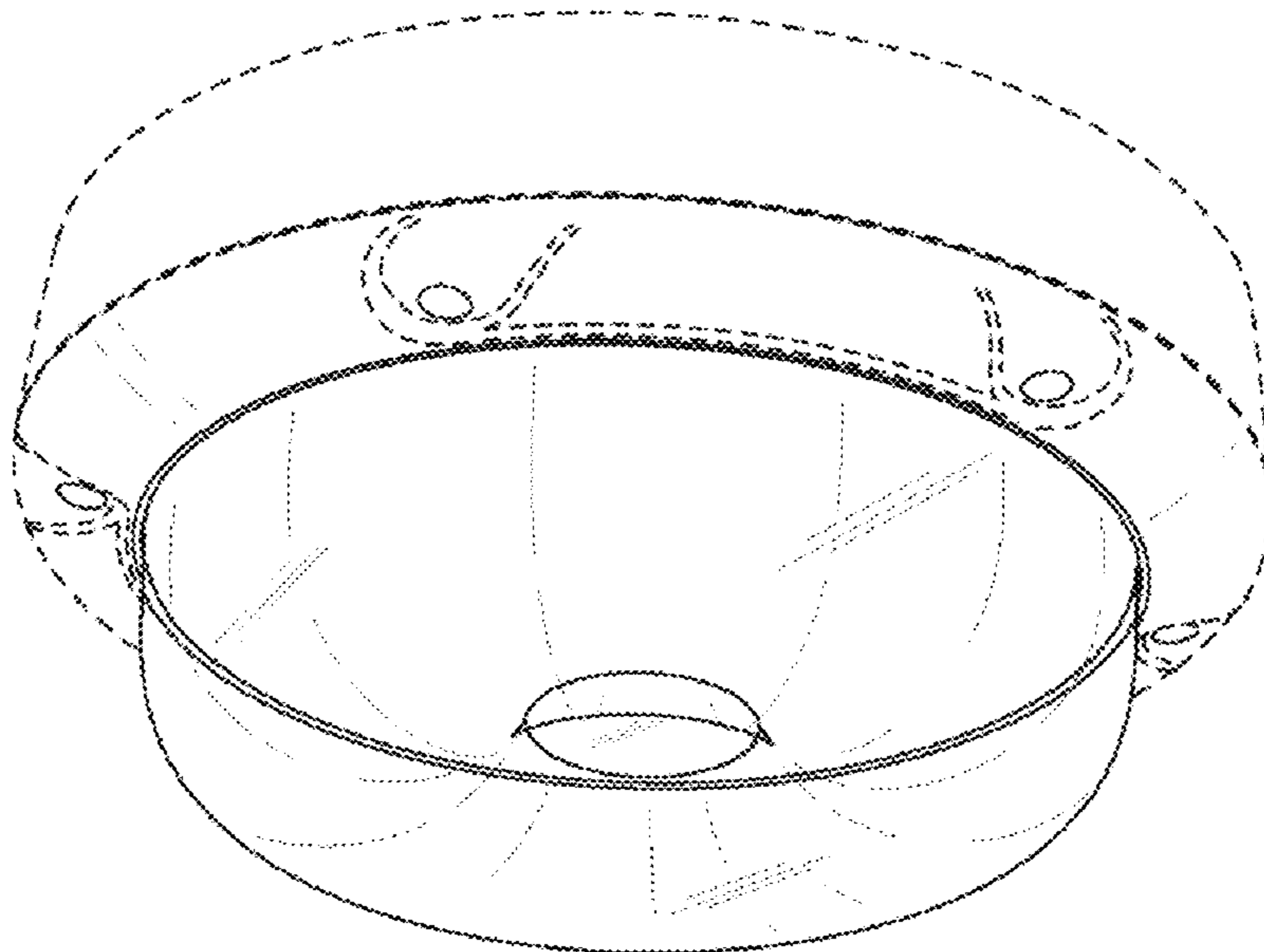
(57) **CLAIM**

The ornamental design for a cover for a camera, as shown and described.

DESCRIPTION

FIG. 1 is a front view of a cover for a camera showing my new design;
FIG. 2 is a back view thereof;
FIG. 3 is a left-side view thereof;
FIG. 4 is a right-side view thereof;
FIG. 5 is a top view thereof;
FIG. 6 is a bottom view thereof; and,
FIG. 7 is a perspective view thereof.
The broken lines depict portions of the cover for a camera in which the design is embodied that form no part of the claimed design.

1 Claim, 7 Drawing Sheets



(56)

References Cited

U.S. PATENT DOCUMENTS

D817,378 S	5/2018	Persson et al.	
D823,919 S	7/2018	Persson et al.	
D829,259 S	9/2018	Persson et al.	
D832,276 S *	10/2018	Miles	D14/451
D837,148 S	1/2019	Brown	
D837,863 S	1/2019	Persson et al.	
D839,338 S	1/2019	Persson et al.	
D860,288 S *	9/2019	Ohashi	D16/203
D865,032 S *	10/2019	Katori	D16/219
2017/0104908 A1	4/2017	Mukai	

* cited by examiner

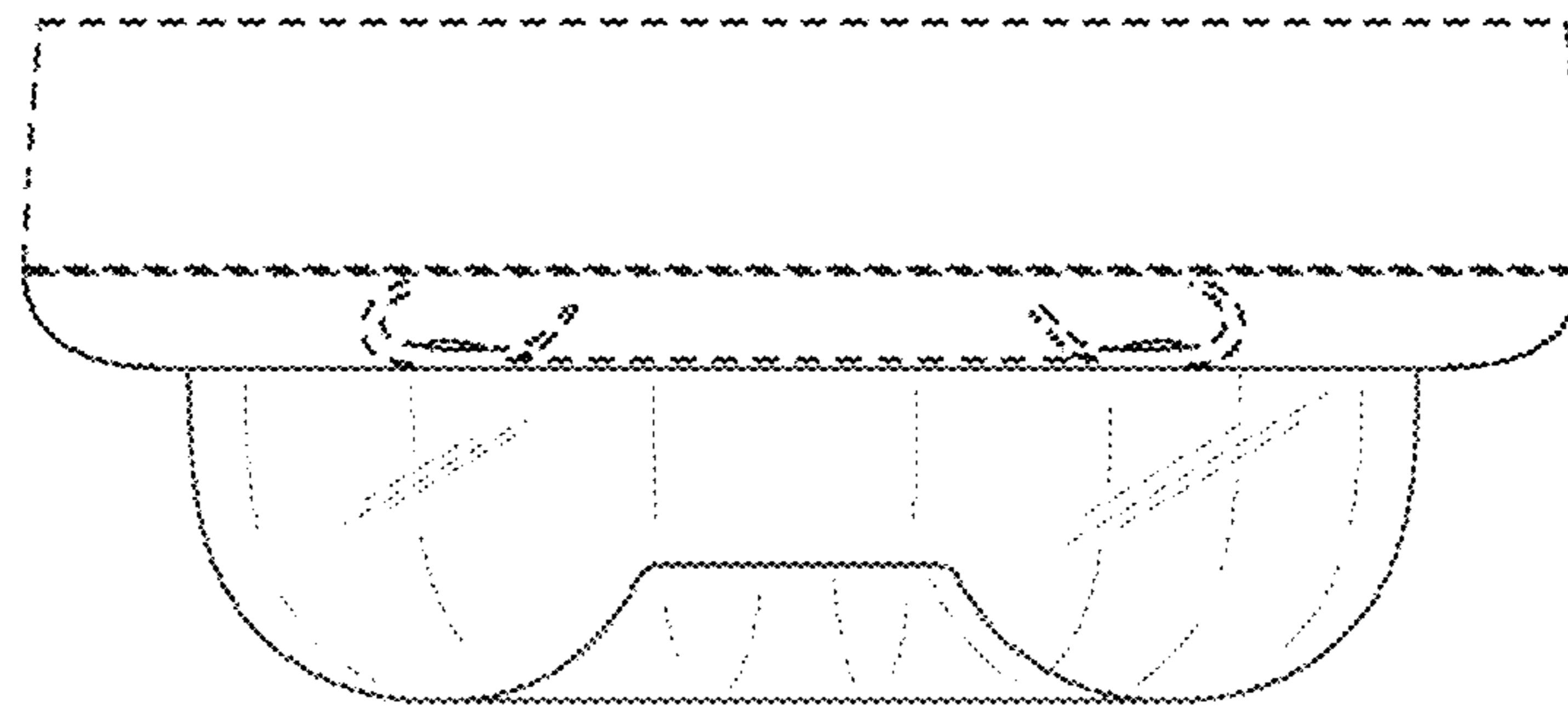


Fig. 1

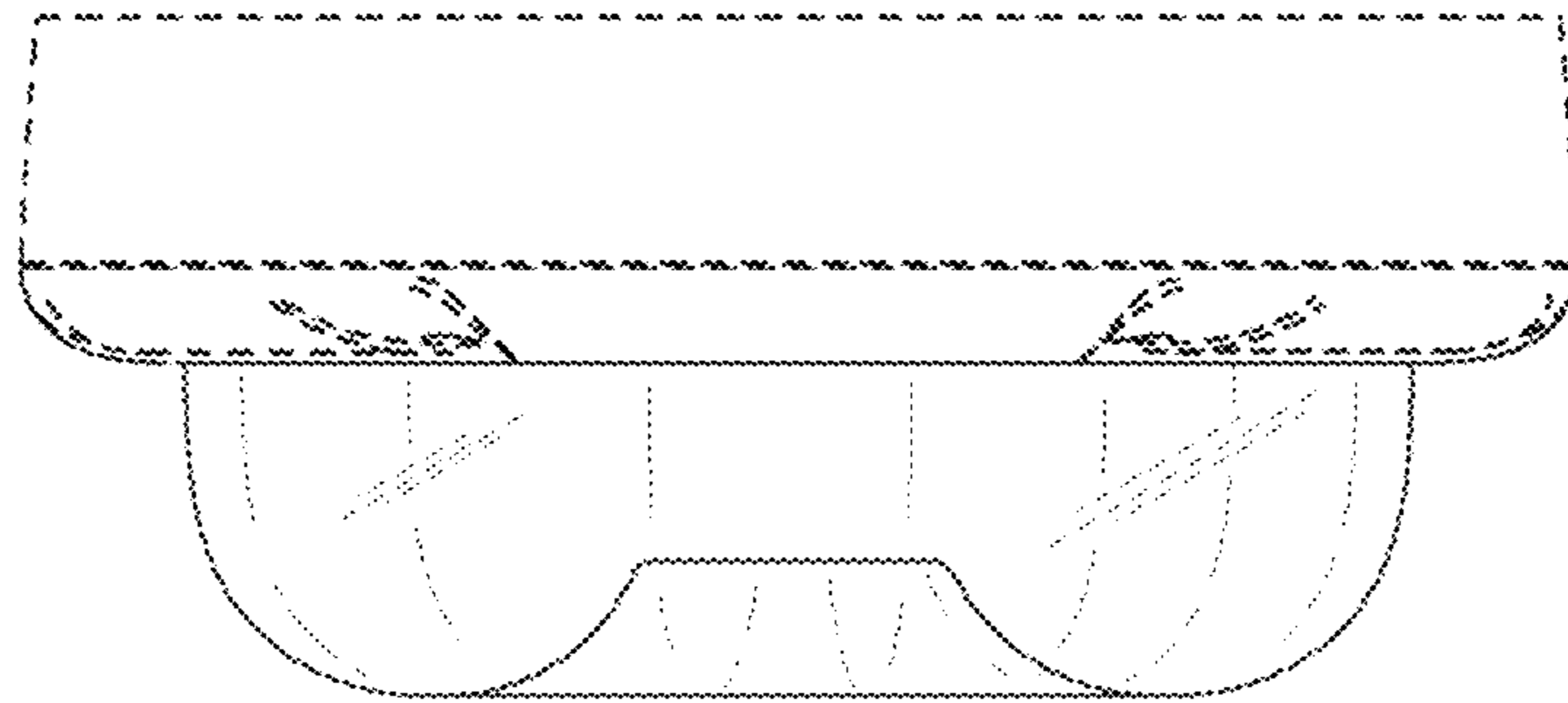


Fig. 2

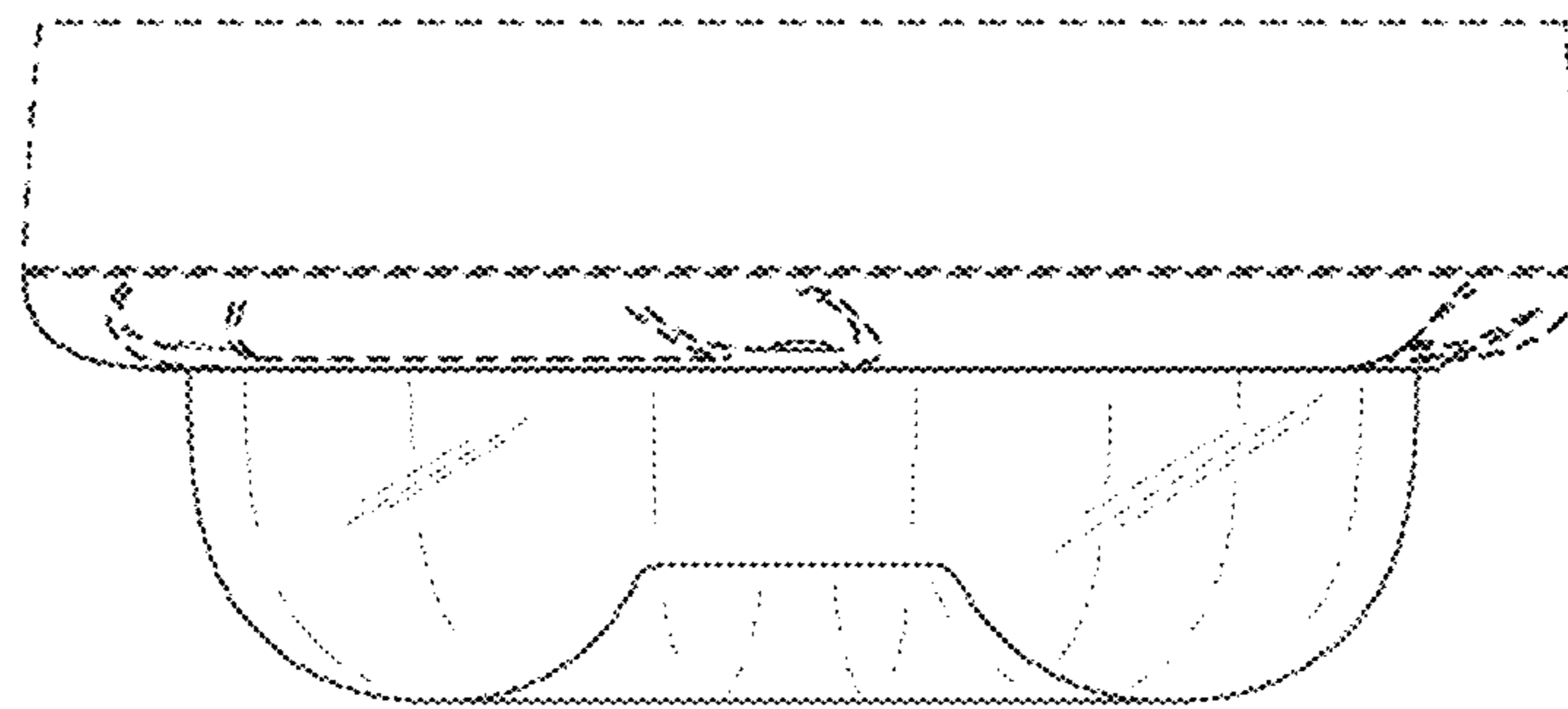


Fig. 3

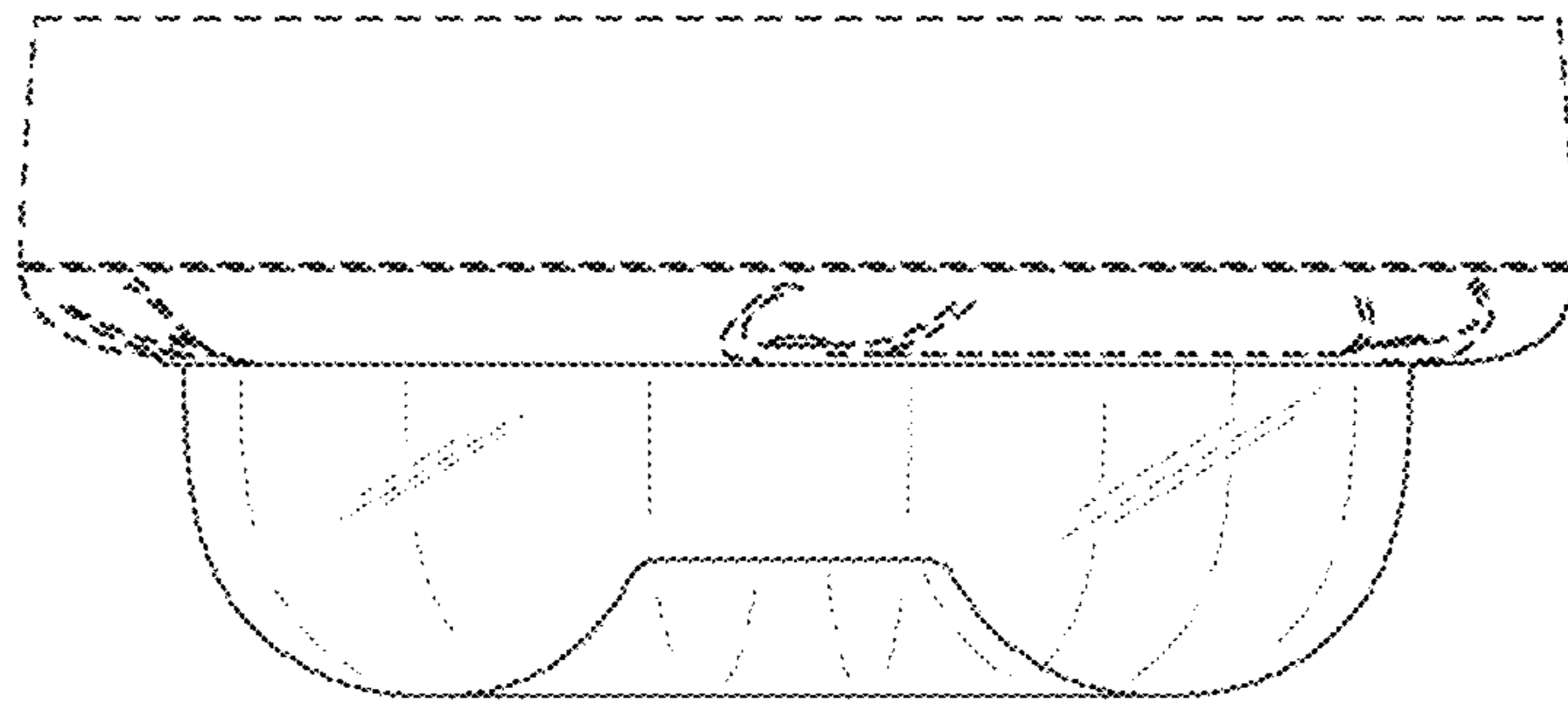


Fig. 4

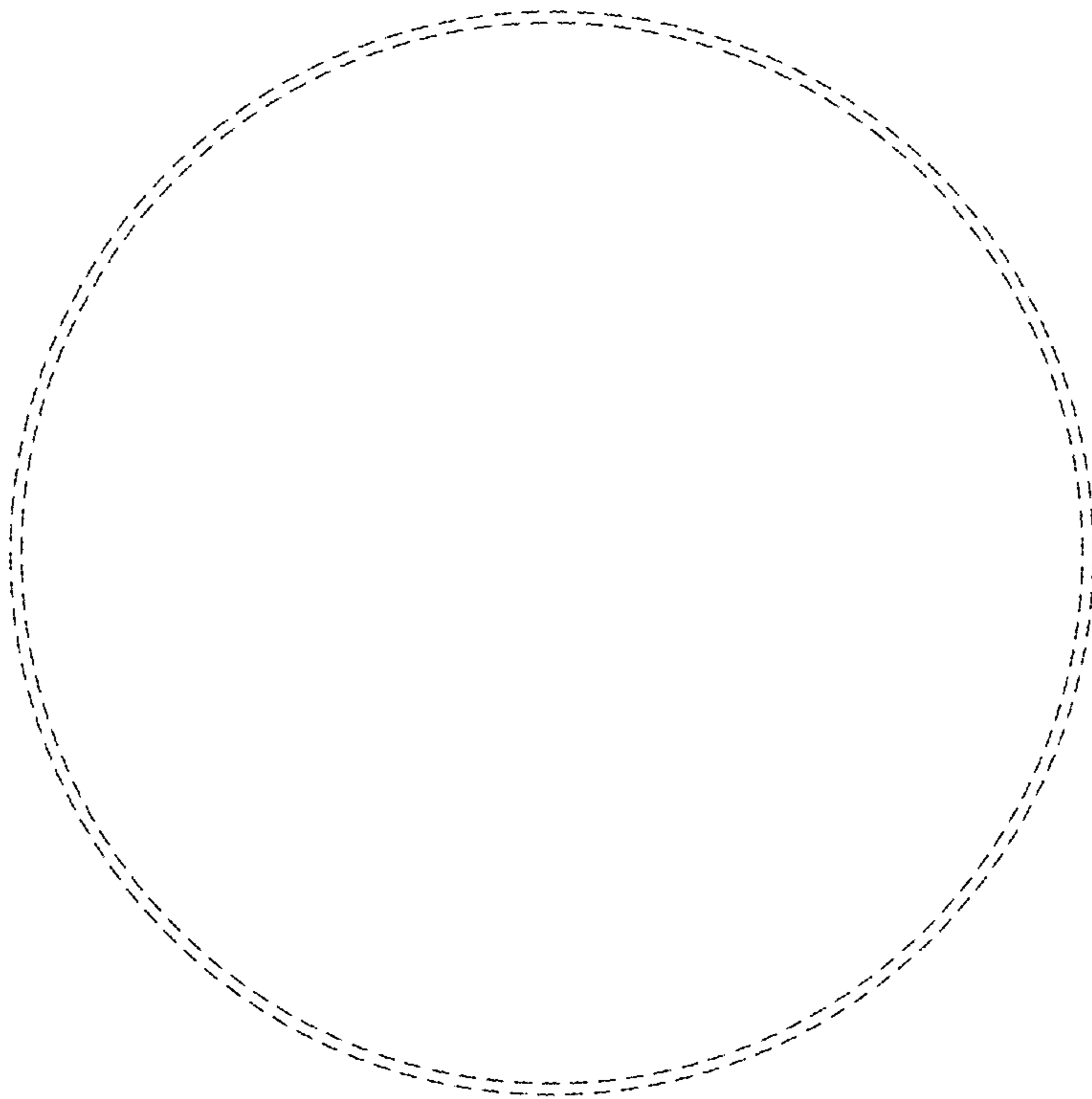


Fig. 5

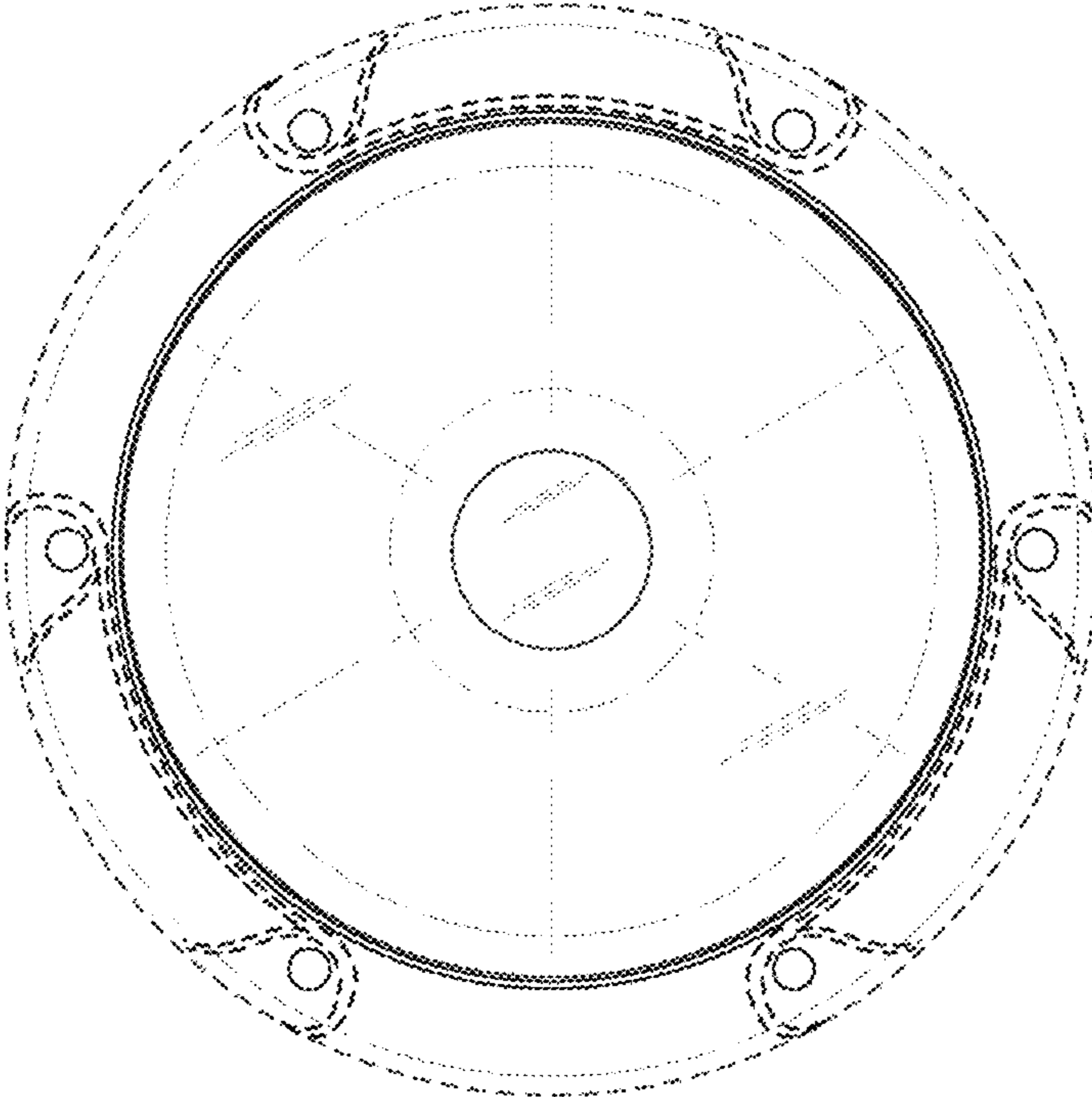


Fig. 6

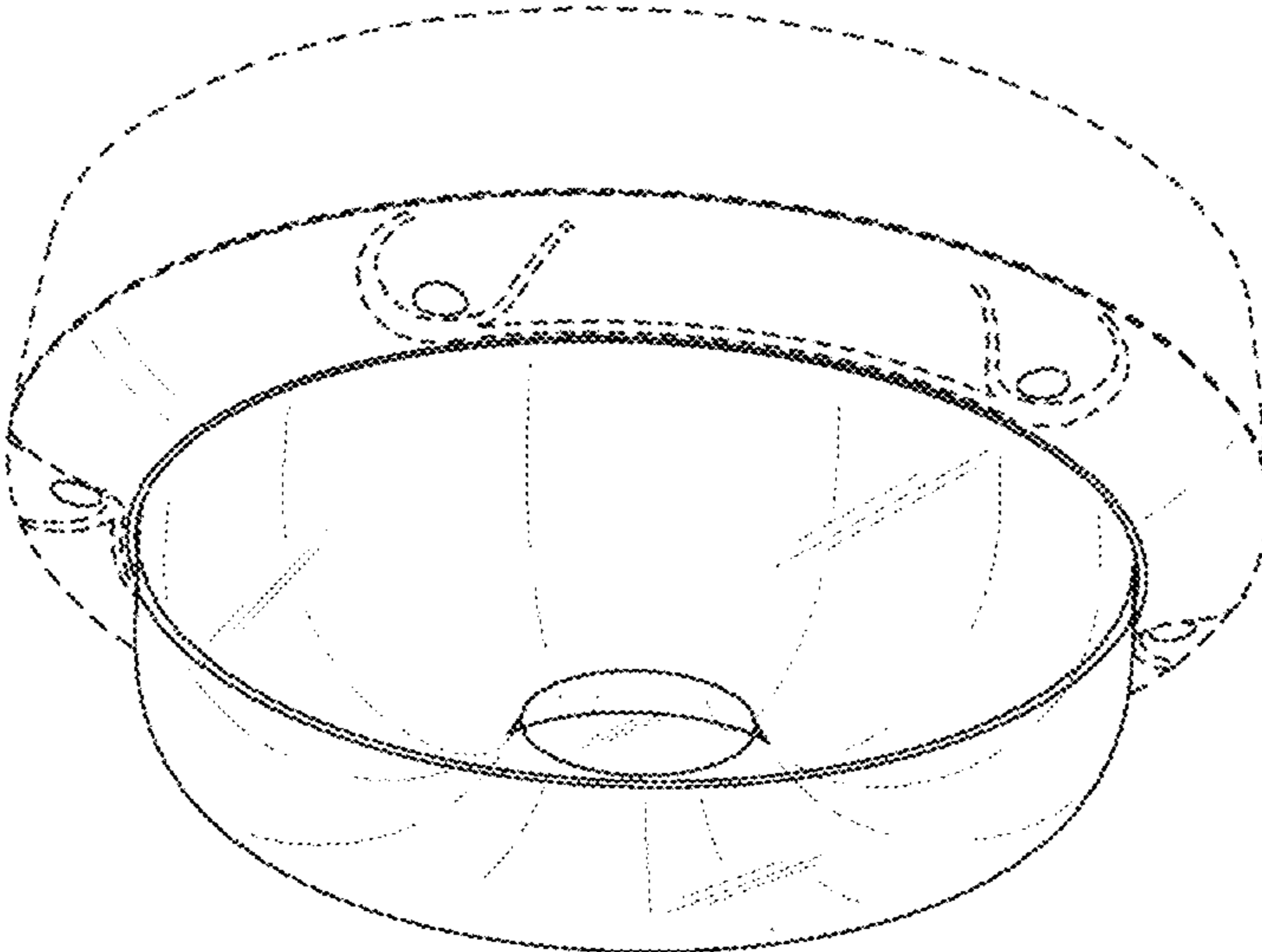


Fig. 7