



US00D888802S

(12) **United States Design Patent**
Hsu et al.

(10) **Patent No.:** **US D888,802 S**
(45) **Date of Patent:** **** Jun. 30, 2020**

(54) **DRIVING RECORDER**
(71) Applicant: **Cansonic Inc.**, New Taipei (TW)
(72) Inventors: **Chao-Chih Hsu**, New Taipei (TW);
Hsuan-Ting Chu, New Taipei (TW)
(73) Assignee: **Cansonic Inc.**, New Taipei (TW)
(**) Term: **15 Years**
(21) Appl. No.: **29/691,073**
(22) Filed: **May 14, 2019**
(51) **LOC (12) Cl.** **16-01**
(52) **U.S. Cl.**
USPC **D16/208; D16/218**
(58) **Field of Classification Search**
USPC D16/200, 212, 218, 219; 348/373-376;
396/448, 535, 539-541
CPC G03B 15/03; G03B 17/02; G03B 17/04;
G03B 17/56; G03B 19/04; H04N 5/2251;
H04N 5/2252; H04N 5/2253; H04N
5/2254; H04N 2101/00
See application file for complete search history.

(56) **References Cited**
U.S. PATENT DOCUMENTS
D747,386 S * 1/2016 Li D16/208
D772,966 S * 11/2016 Song D16/200
D848,508 S * 5/2019 Hsu D16/218
D849,084 S * 5/2019 Hu D16/202
D849,817 S * 5/2019 Wang D16/218

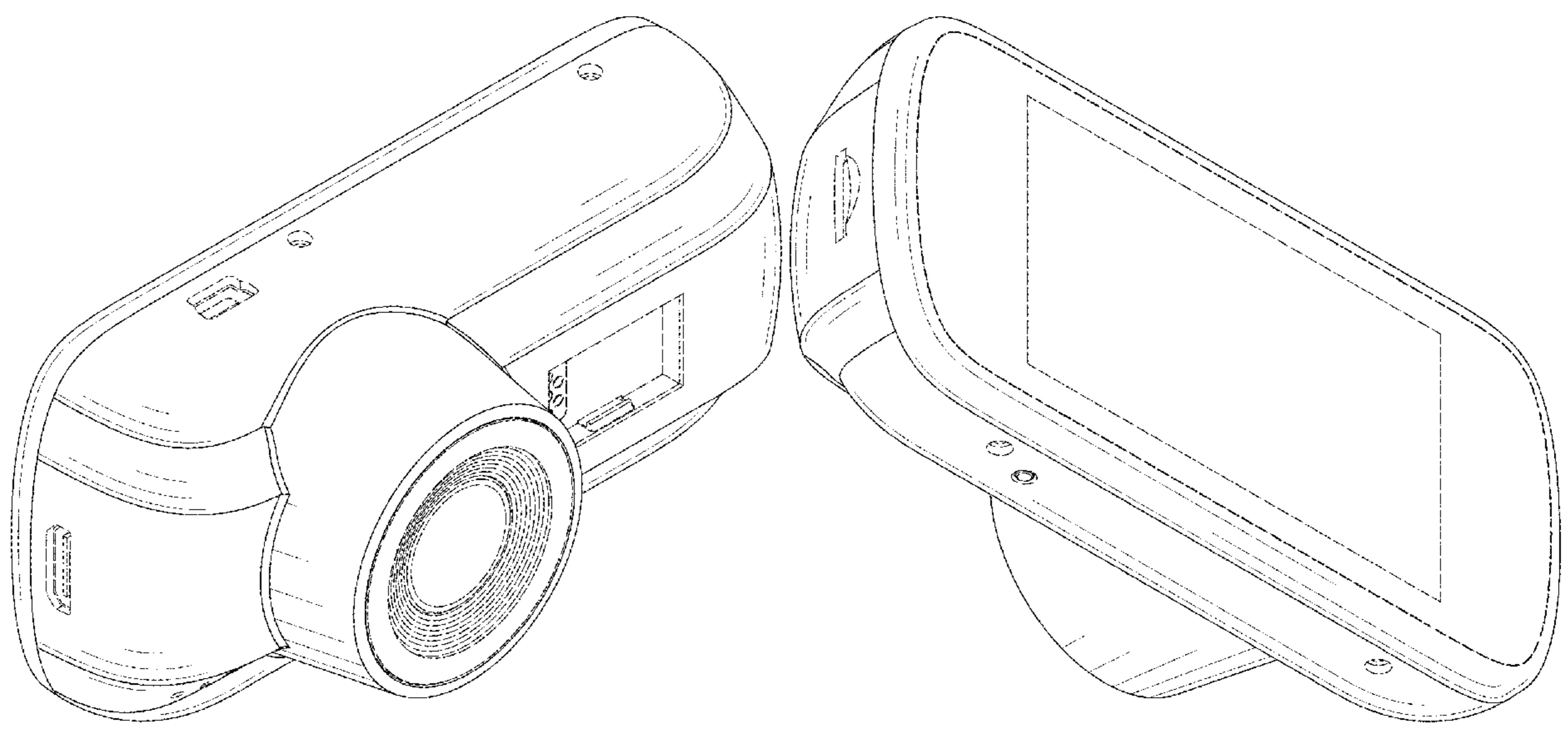
D852,255 S * 6/2019 Guo D16/202
D854,597 S * 7/2019 Gao D16/202
D857,076 S * 8/2019 Gan D16/202
D867,420 S * 11/2019 Zhang D16/202
D870,183 S * 12/2019 Tsukamoto D16/218
D872,162 S * 1/2020 Gao D16/218
2013/0004152 A1 * 1/2013 Imafuji G03B 15/02
396/155

* cited by examiner
Primary Examiner — Ramzi S Almatrahi
(74) *Attorney, Agent, or Firm* — Alan D. Kamrath; Mayer
& Williams PC

(57) **CLAIM**
The ornamental design for a driving recorder, as shown and
described.

DESCRIPTION
FIG. 1 is a front perspective view of a driving recorder
showing our new design;
FIG. 2 is a front view thereof;
FIG. 3 is a rear view thereof;
FIG. 4 is a left side view thereof;
FIG. 5 is a right side view thereof;
FIG. 6 is a top view thereof;
FIG. 7 is a bottom view thereof; and,
FIG. 8 is a rear perspective view thereof.
The broken lines depict portions of the driving recorder in
which the design is embodied that form no part of the
claimed design.

1 Claim, 8 Drawing Sheets



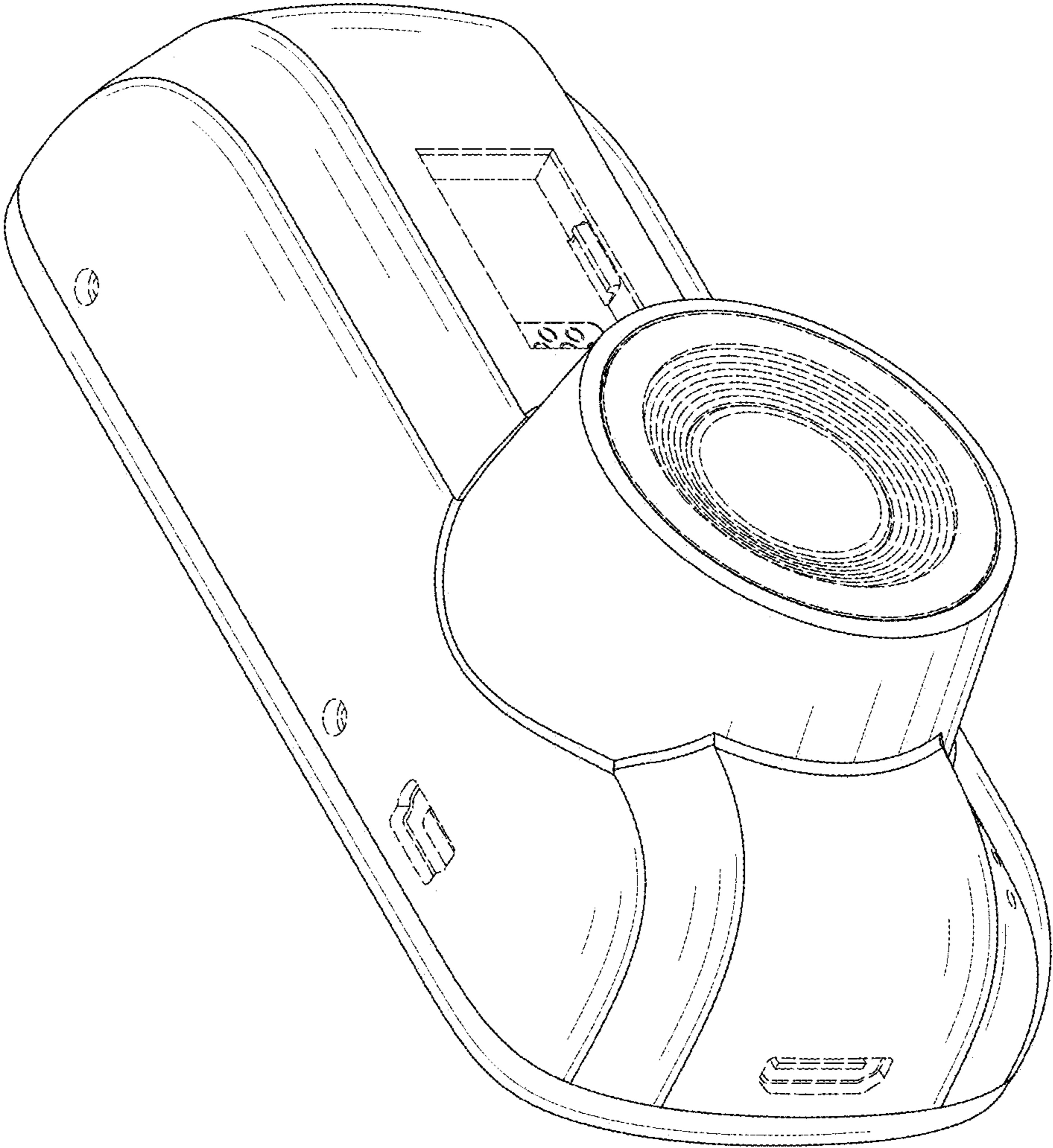


FIG. 1

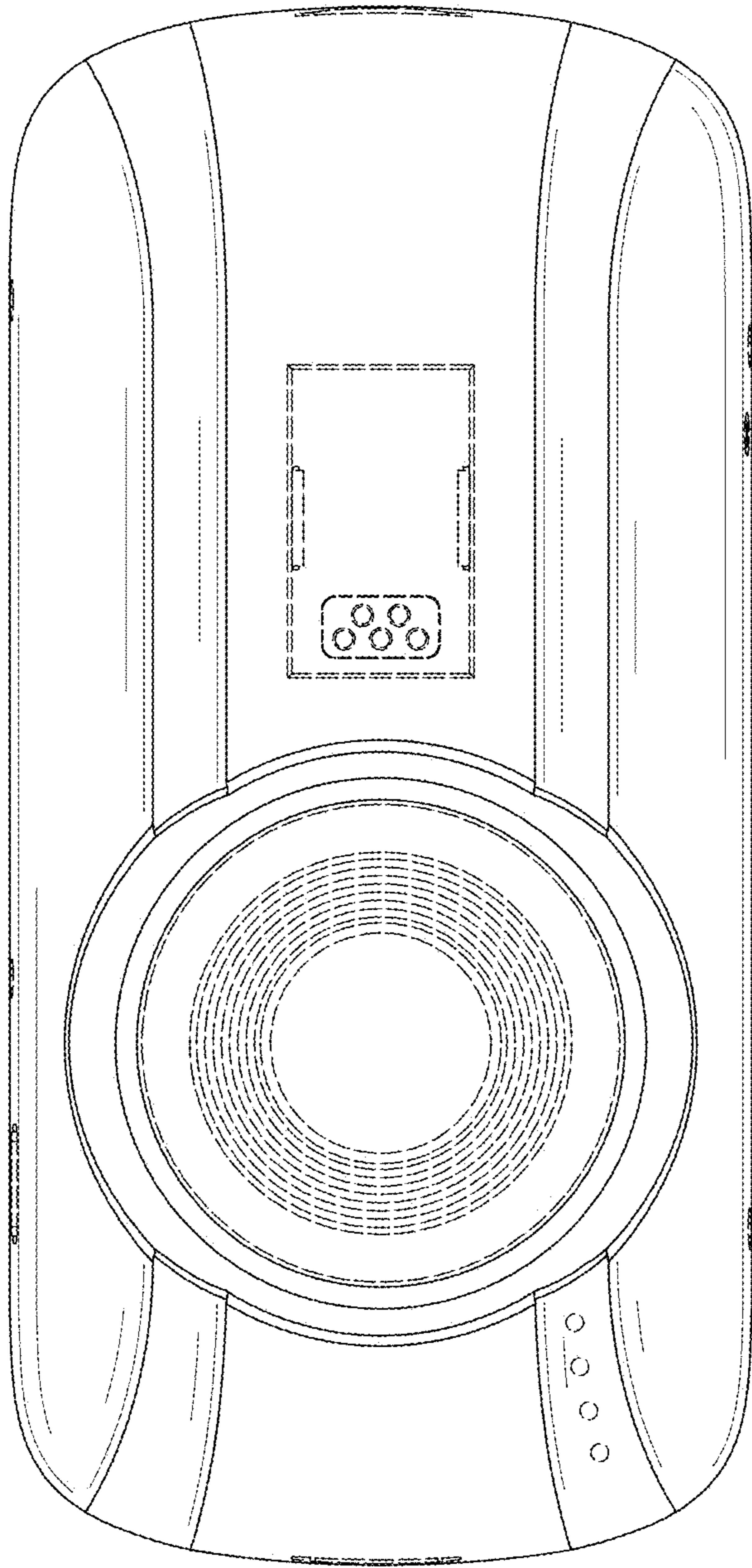


FIG. 2

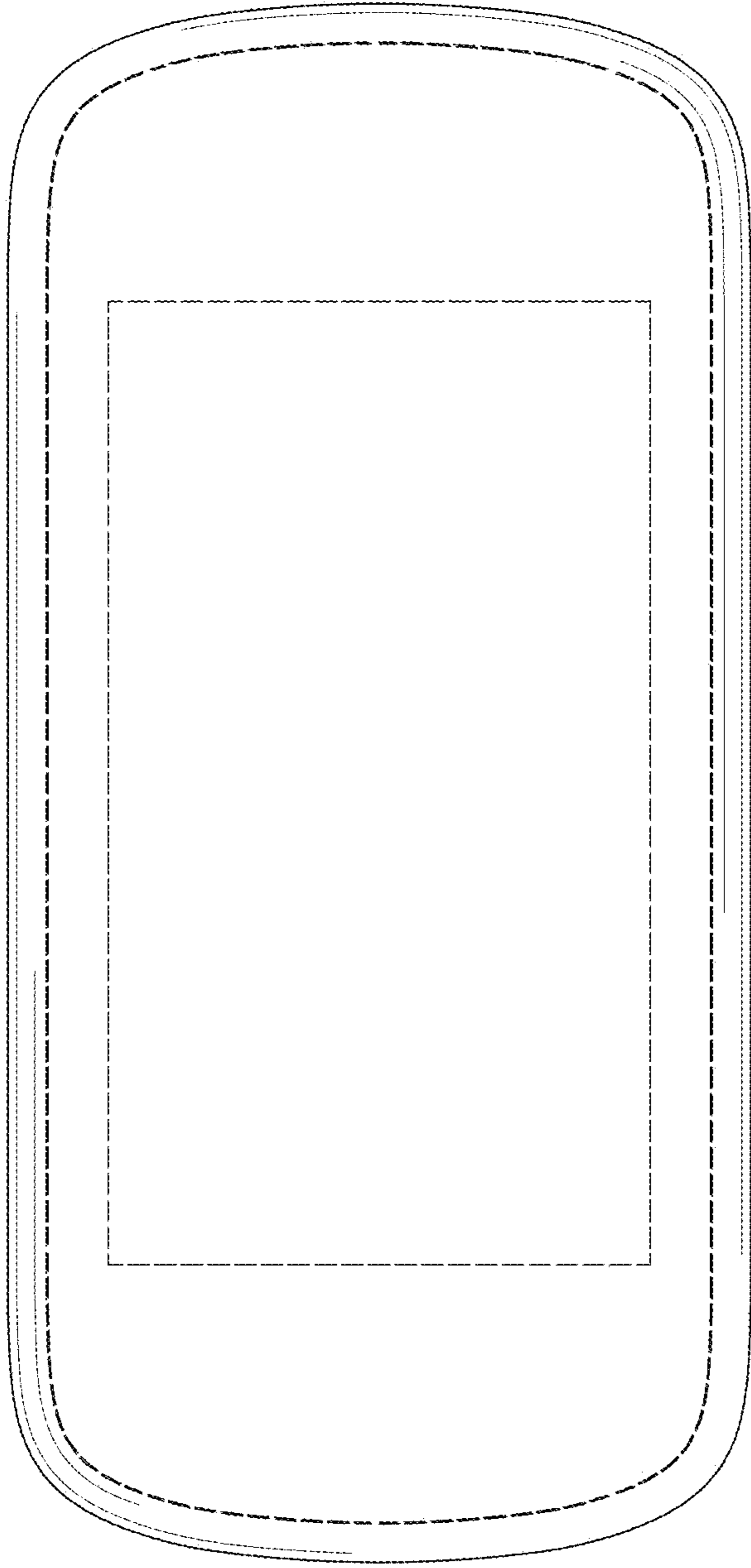


FIG. 3

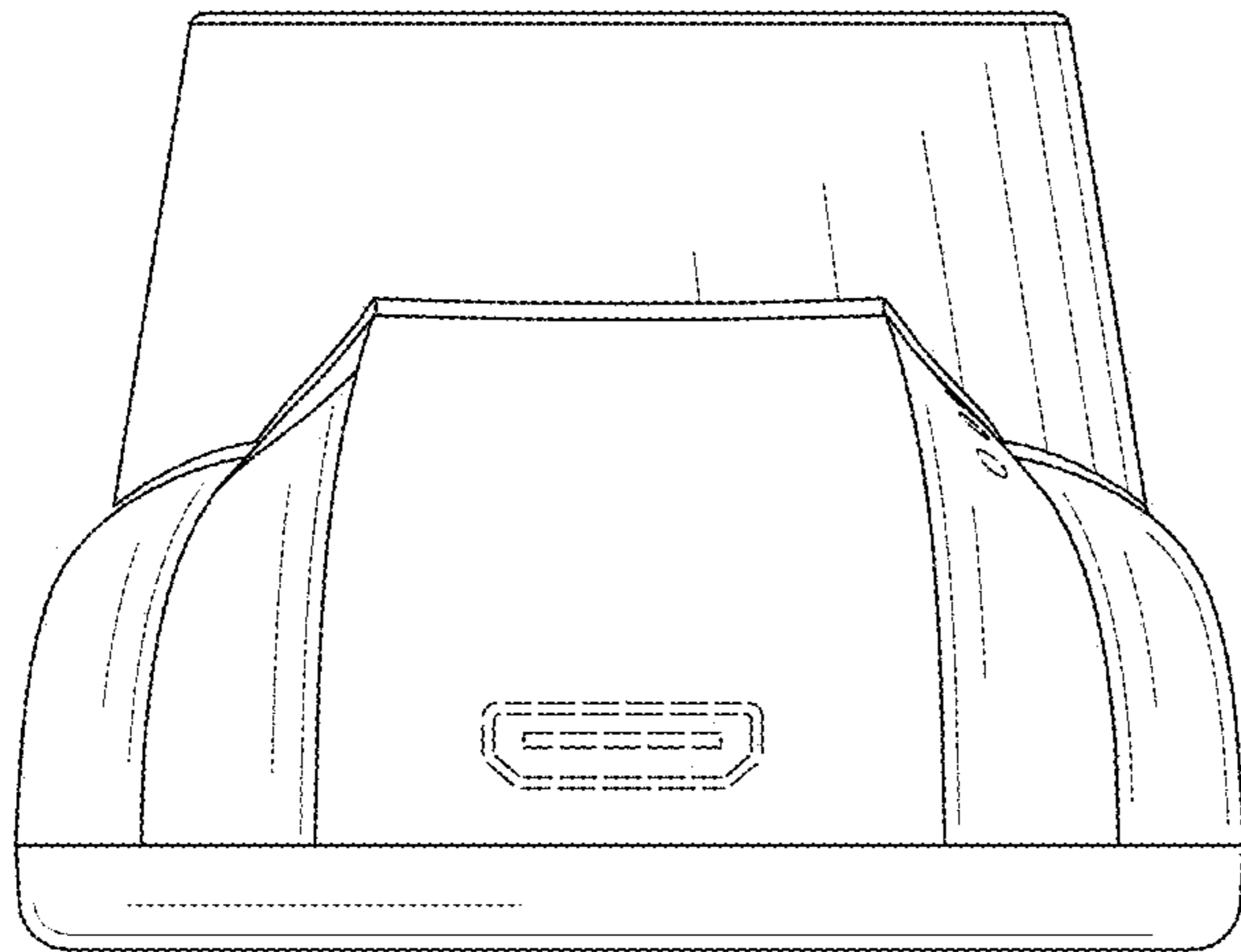


FIG. 4

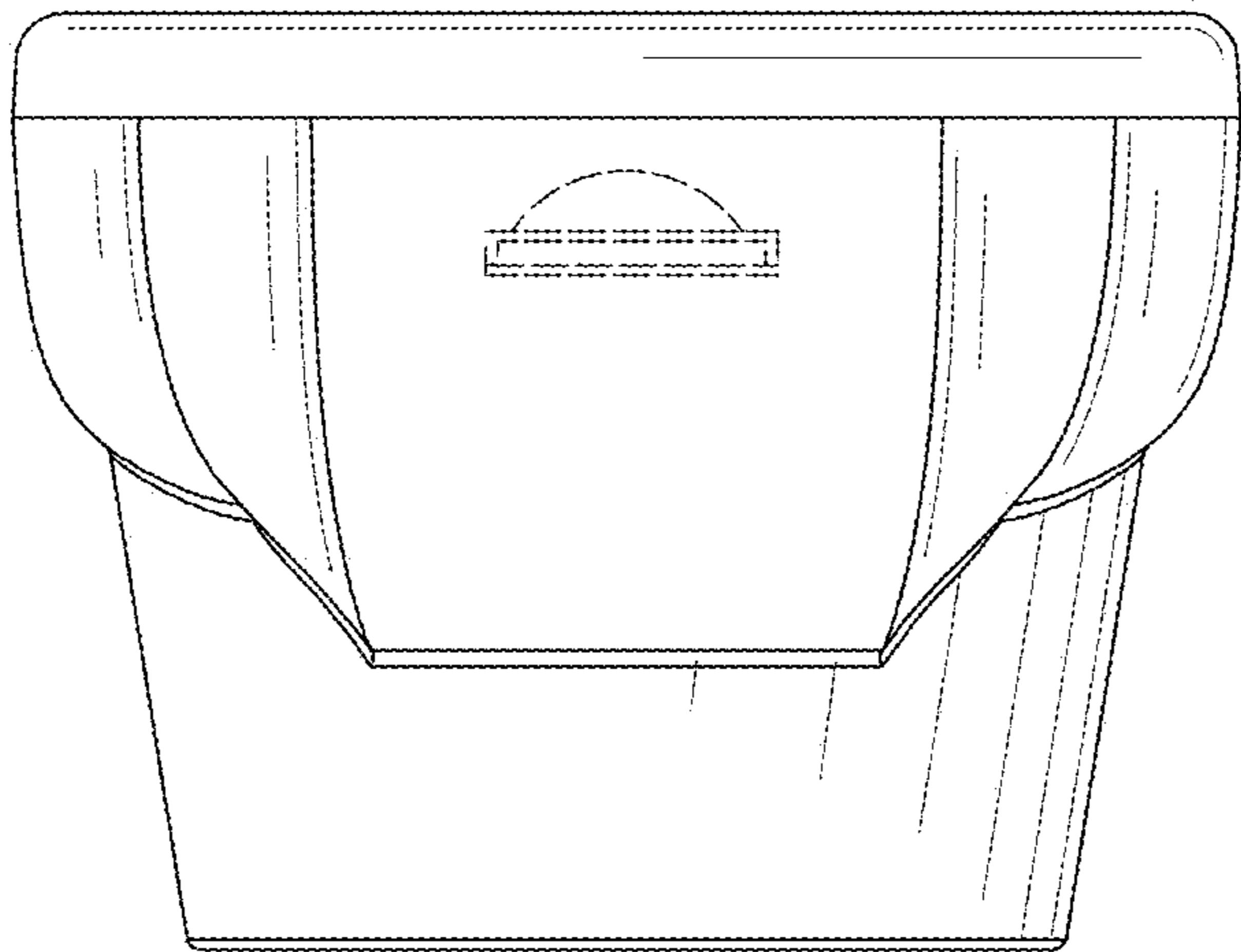


FIG. 5

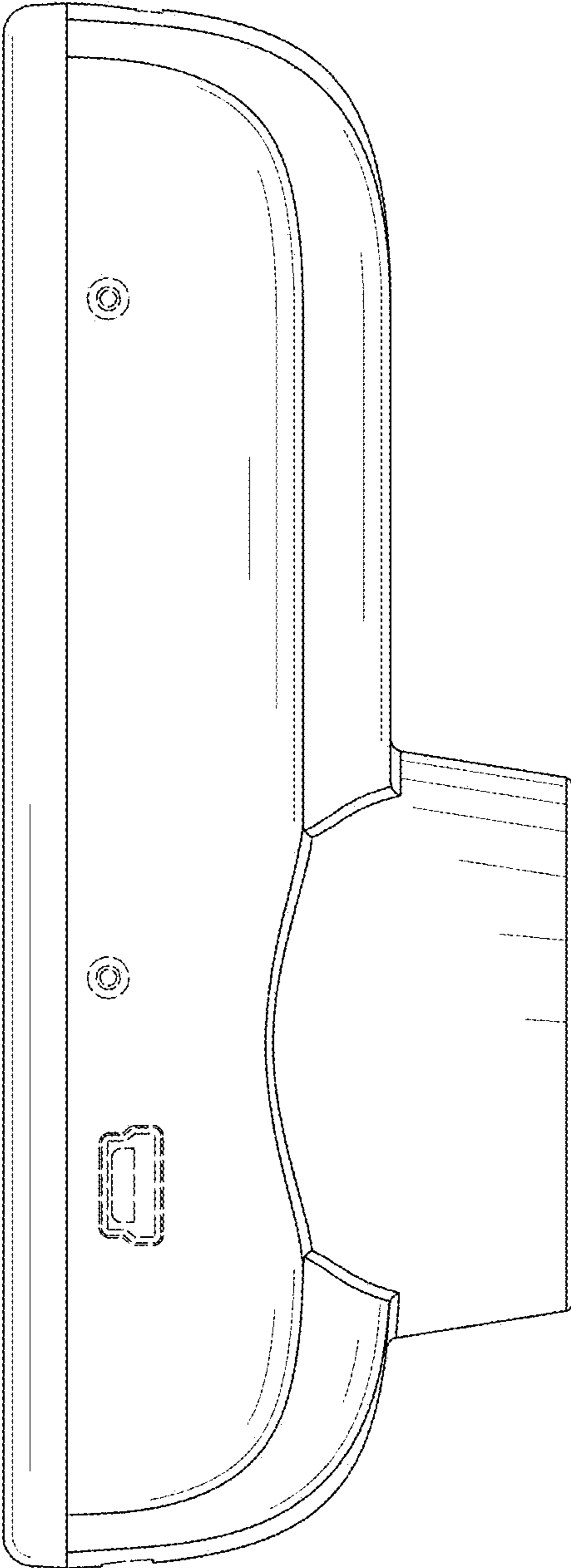


FIG. 6

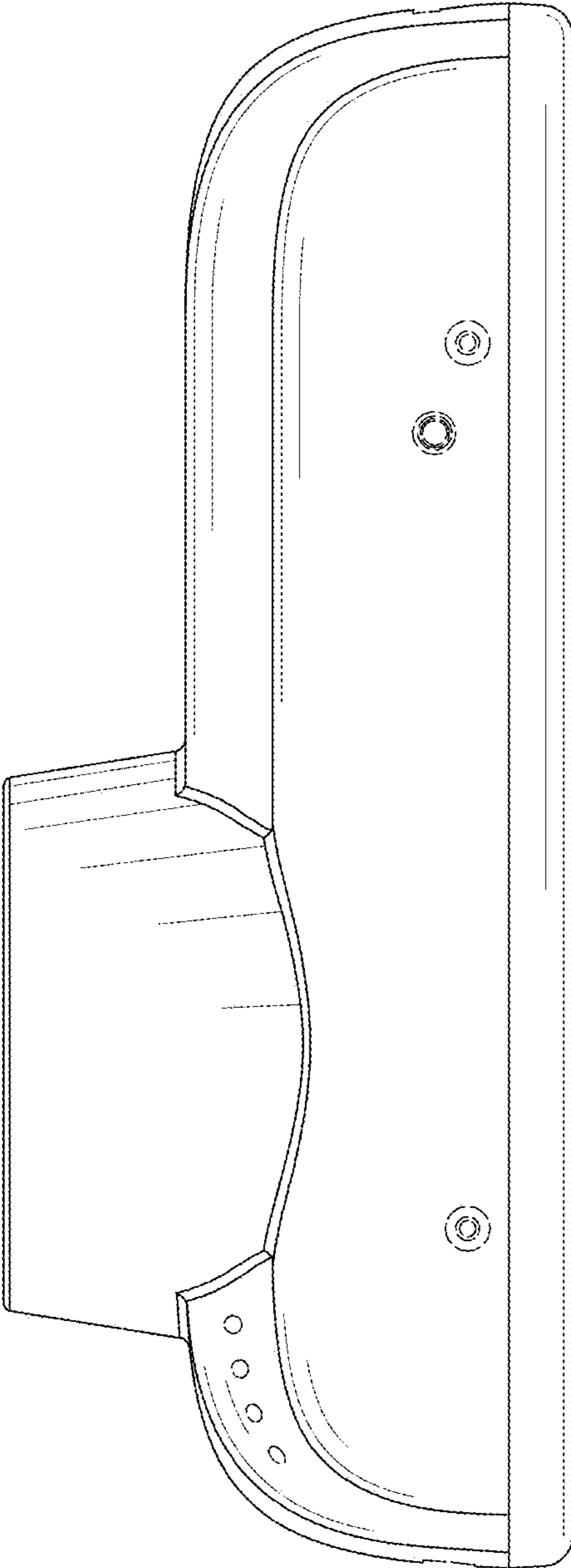


FIG. 7

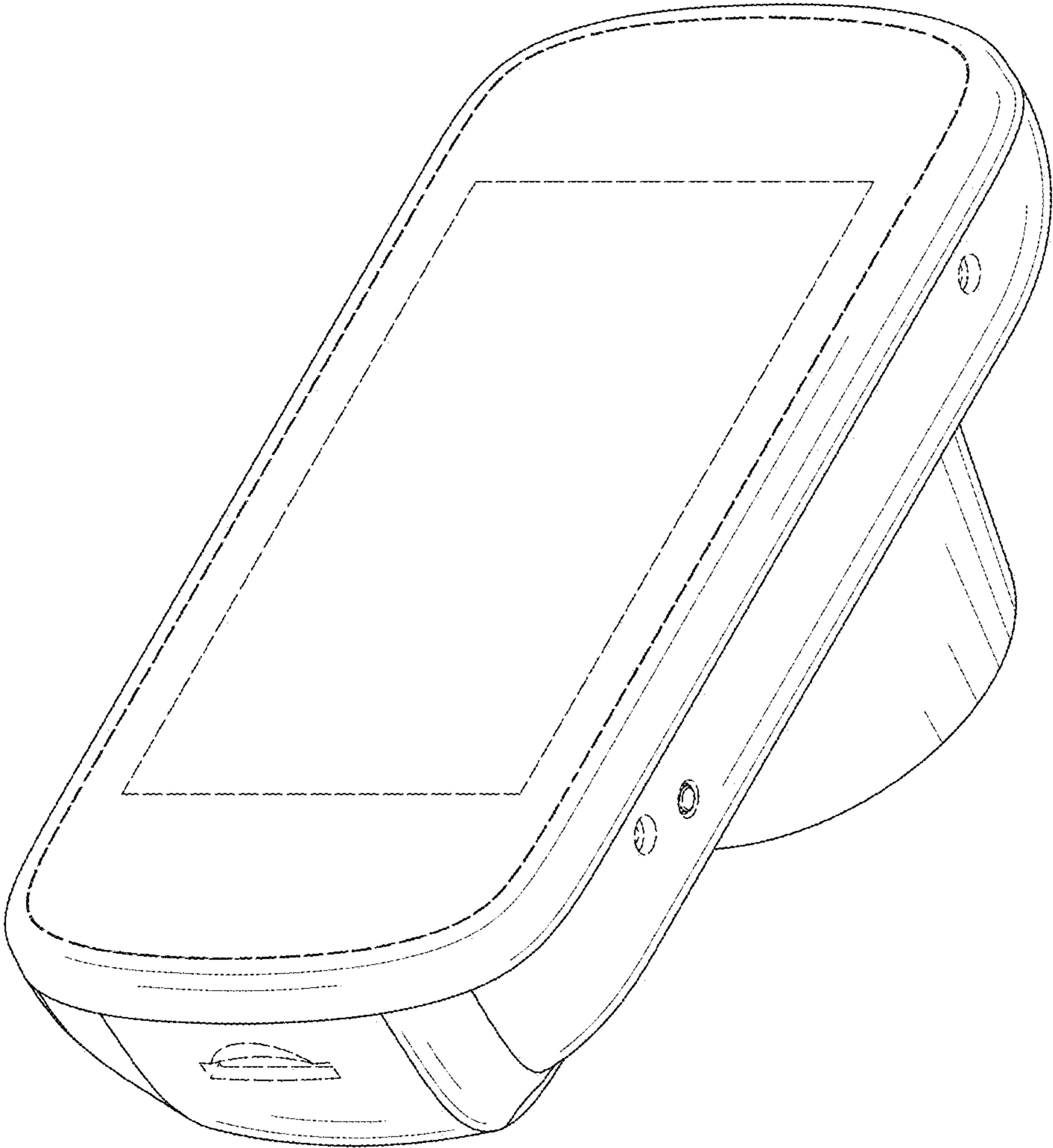


FIG. 8