



US00D888801S

(12) **United States Design Patent**
Hsu et al.

(10) **Patent No.:** **US D888,801 S**
(45) **Date of Patent:** **** Jun. 30, 2020**

- (54) **DRIVING RECORDER**
- (71) Applicant: **Cansonic Inc.**, New Taipei (TW)
- (72) Inventors: **Chao-Chih Hsu**, New Taipei (TW);
Hsuan-Ting Chu, New Taipei (TW)
- (73) Assignee: **Cansonic Inc.**, New Taipei (TW)
- (**) Term: **15 Years**
- (21) Appl. No.: **29/691,068**
- (22) Filed: **May 14, 2019**
- (51) **LOC (12) Cl.** **16-01**
- (52) **U.S. Cl.**
USPC **D16/208; D16/218**
- (58) **Field of Classification Search**
USPC D16/200, 212, 218, 219; 348/373-376;
396/448, 535, 539-541
CPC G03B 15/03; G03B 17/02; G03B 17/04;
G03B 17/56; G03B 19/04; H04N 5/2251;
H04N 5/2252; H04N 5/2253; H04N
5/2254; H04N 2101/00
See application file for complete search history.

(56) **References Cited**

U.S. PATENT DOCUMENTS

D747,386 S *	1/2016	Li	D16/208
D772,966 S *	11/2016	Song	D16/200
D848,508 S *	5/2019	Hsu	D16/218
D849,084 S *	5/2019	Hu	D16/202
D849,817 S *	5/2019	Wang	D16/218

D852,255 S *	6/2019	Guo	D16/202
D854,597 S *	7/2019	Gao	D16/202
D857,076 S *	8/2019	Gan	D16/202
D867,420 S *	11/2019	Zhang	D16/202
D870,183 S *	12/2019	Tsukamoto	D16/218
D872,162 S *	1/2020	Gao	D16/218
2013/0004152 A1 *	1/2013	Imafuji	G03B 15/02 396/155

* cited by examiner

Primary Examiner — Ramzi S Almatrahi

(74) *Attorney, Agent, or Firm* — Alan D. Kamrath; Mayer & Williams PC

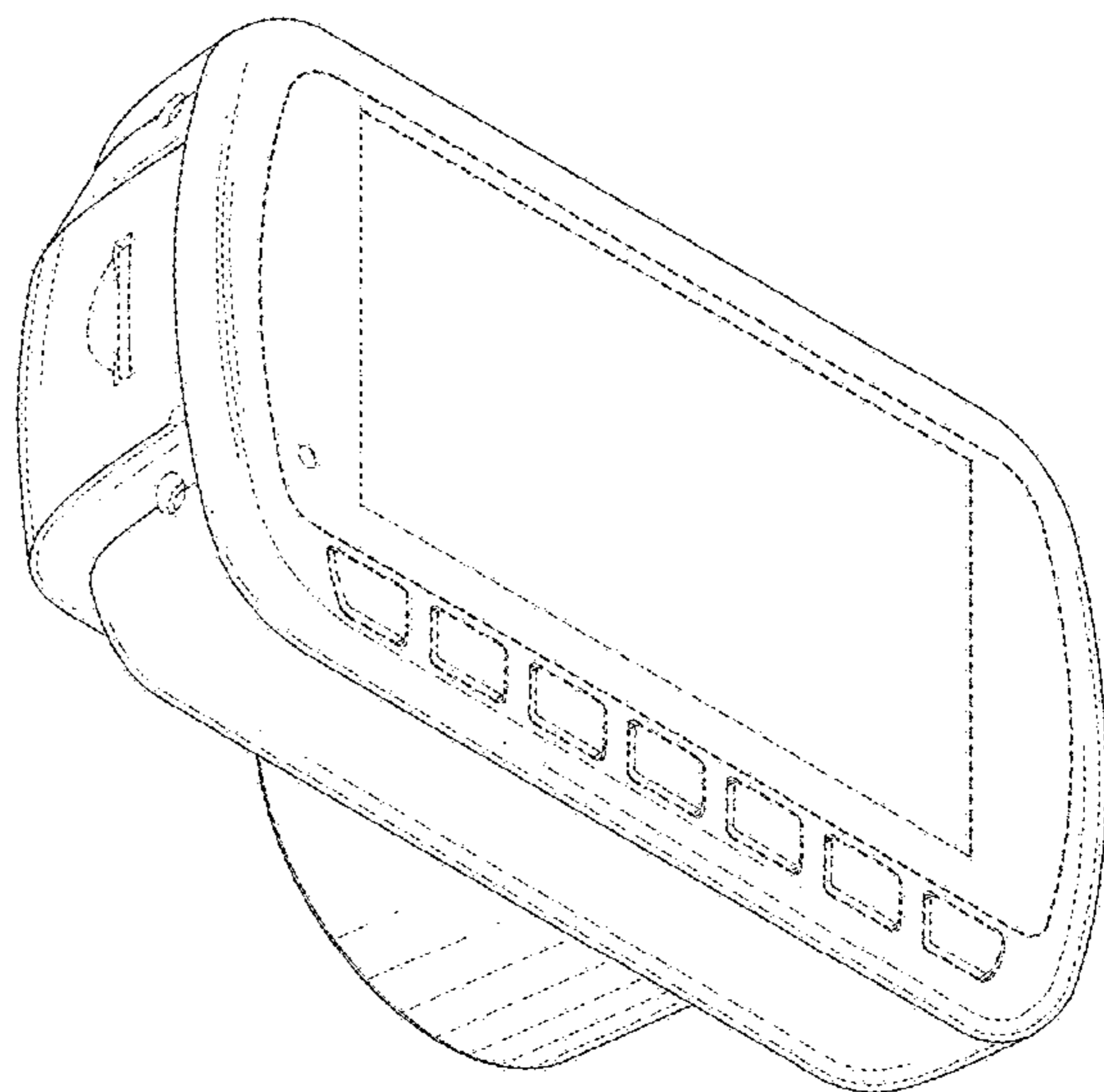
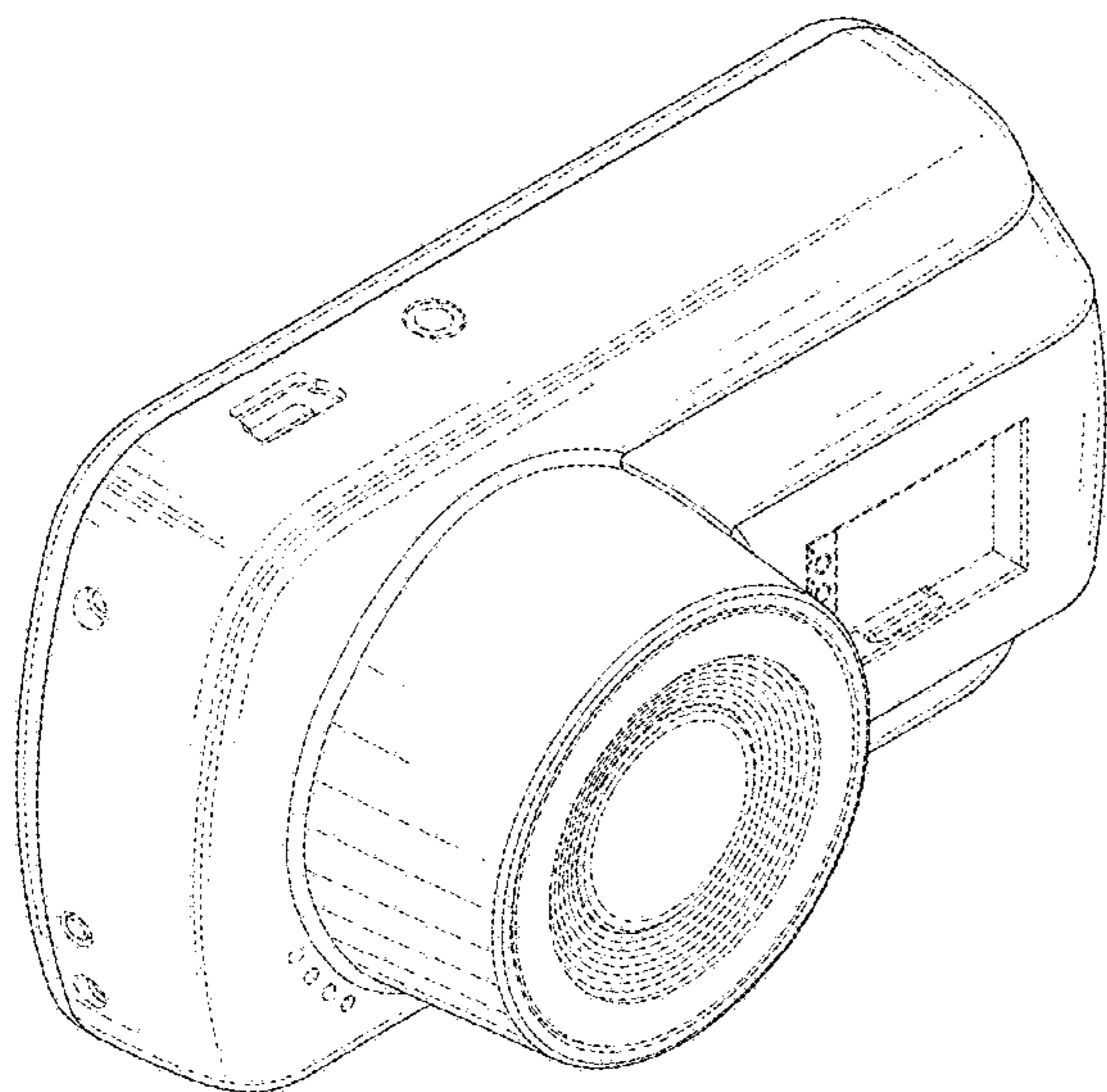
(57) **CLAIM**

The ornamental design for a driving recorder, as shown and described.

DESCRIPTION

FIG. 1 is a front perspective view of a driving recorder showing our new design;
 FIG. 2 is a front view thereof;
 FIG. 3 is a rear view thereof;
 FIG. 4 is a left side view thereof;
 FIG. 5 is a right side view thereof;
 FIG. 6 is a top view thereof;
 FIG. 7 is a bottom view thereof; and,
 FIG. 8 is a rear perspective view thereof.
 The broken lines depict portions of the driving recorder in which the design is embodied that form no part of the claimed design.

1 Claim, 8 Drawing Sheets



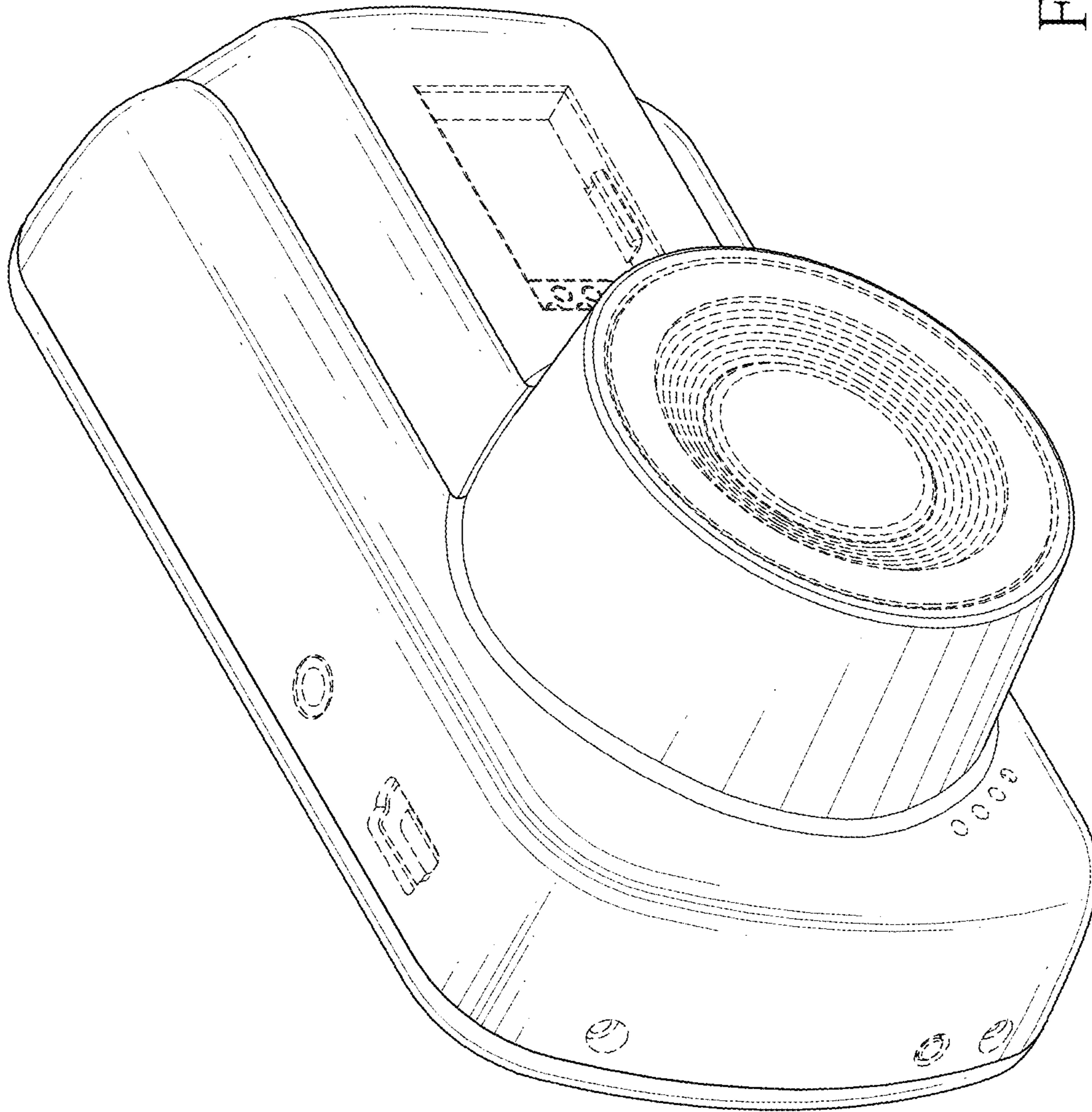


FIG.1

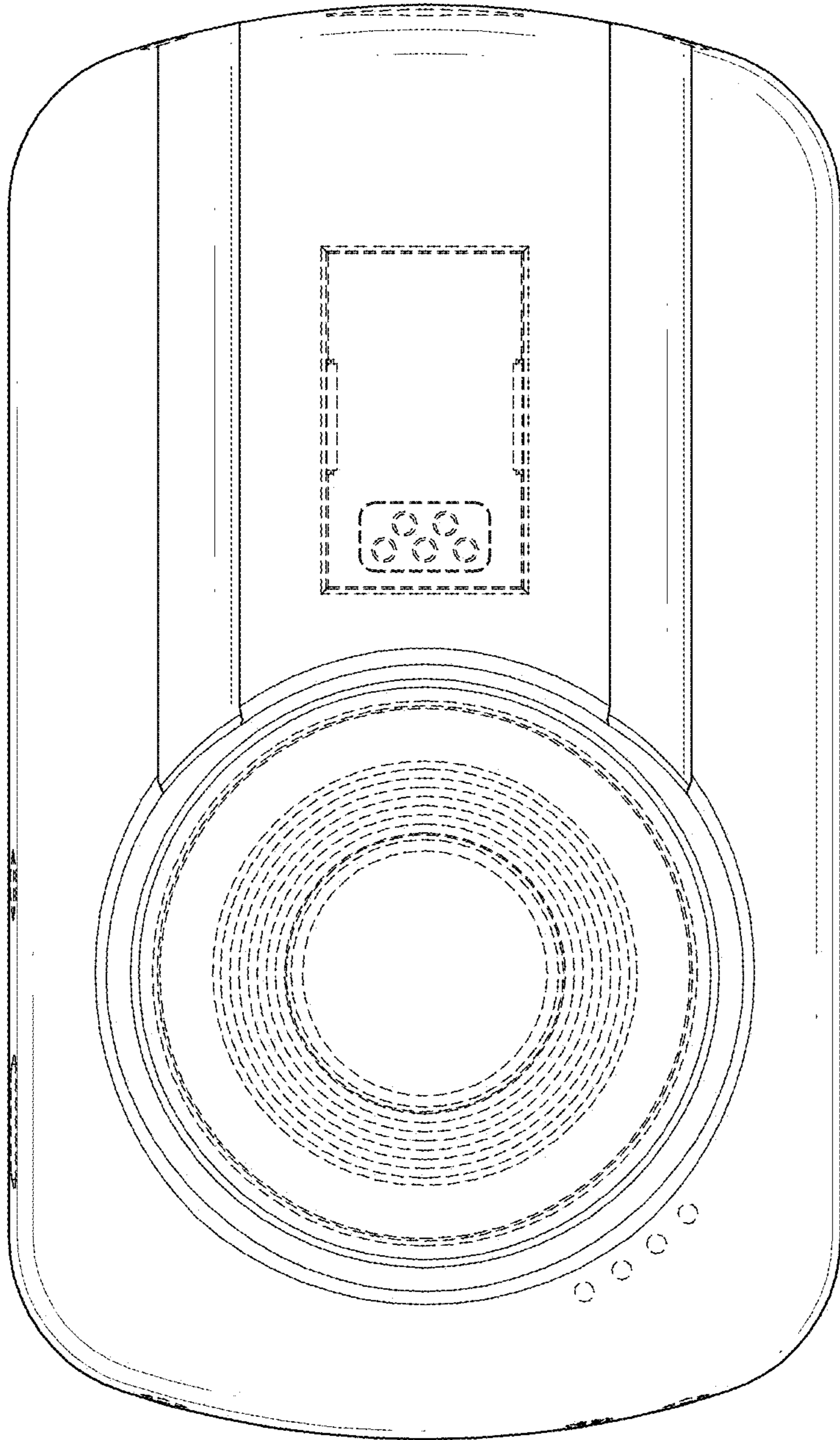


FIG.2

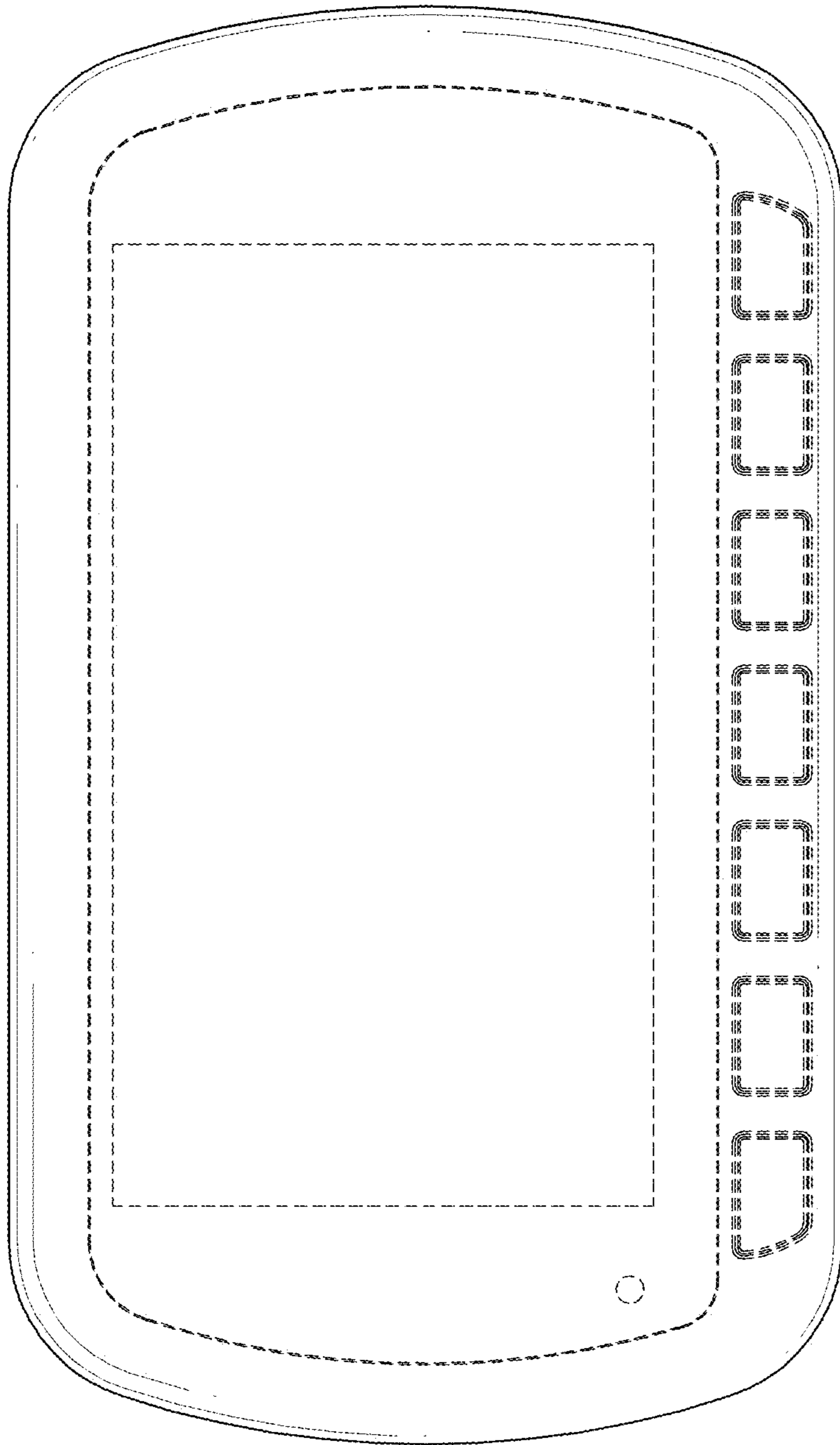


FIG. 3

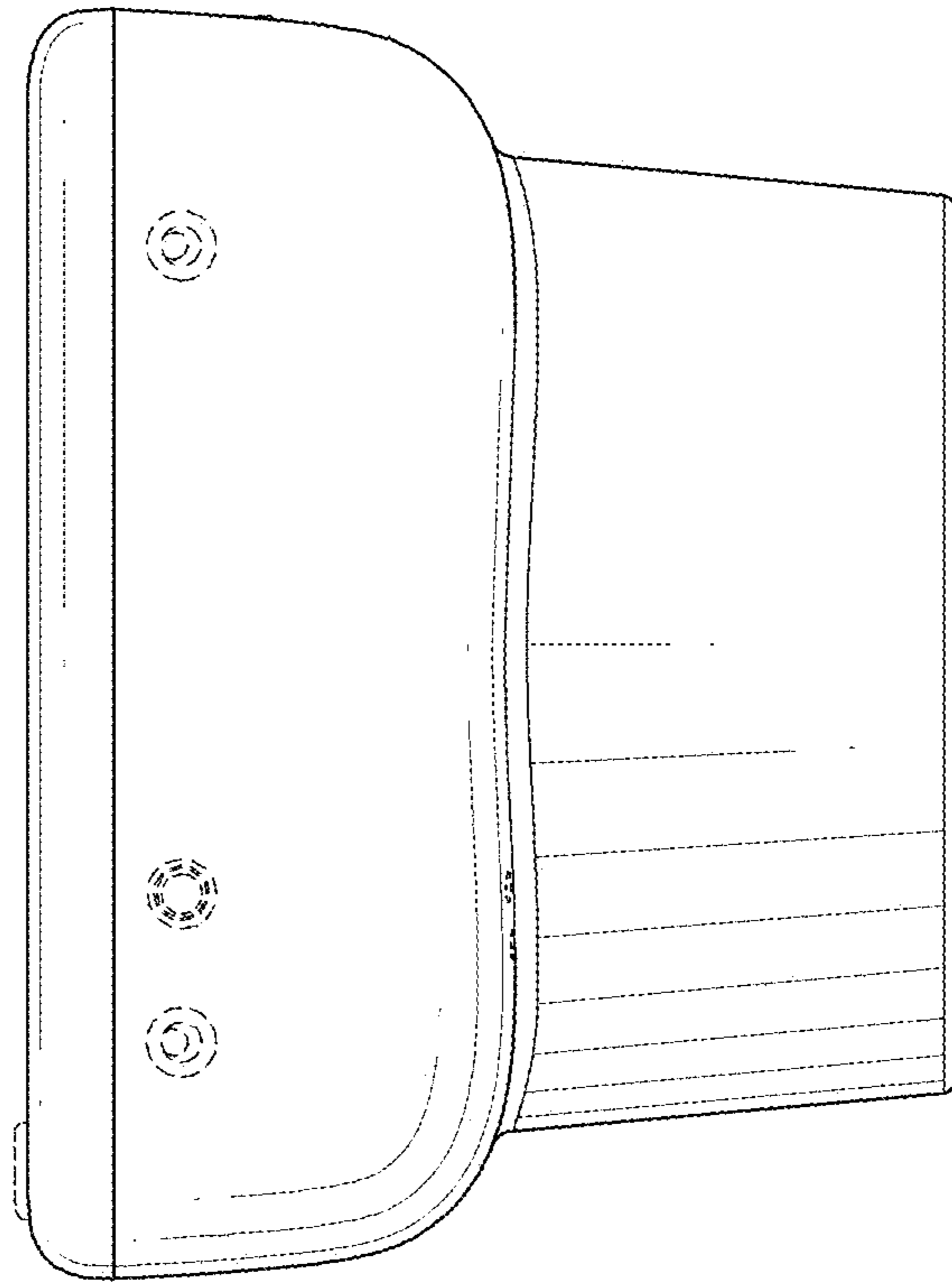


FIG.4

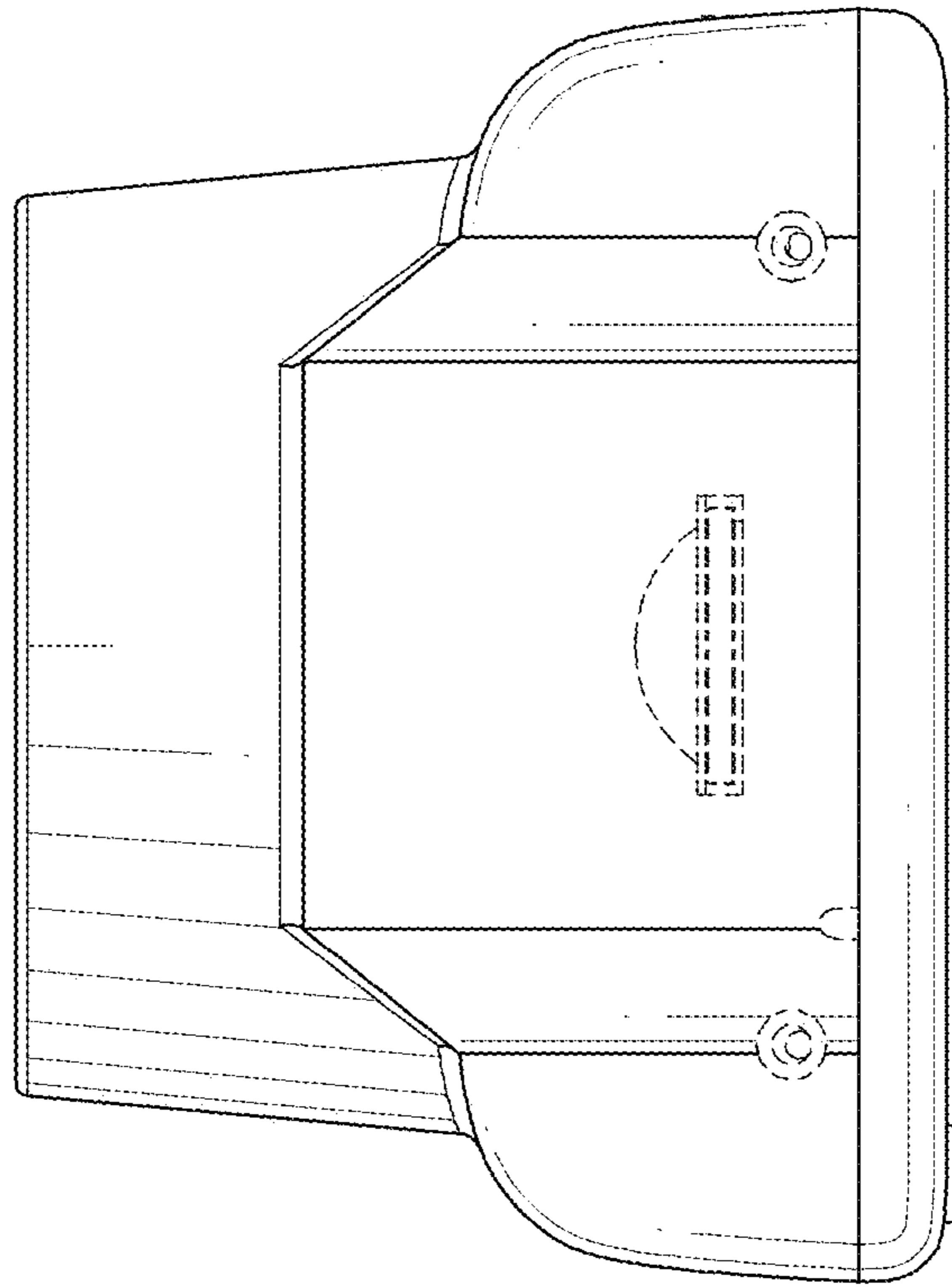


FIG.5

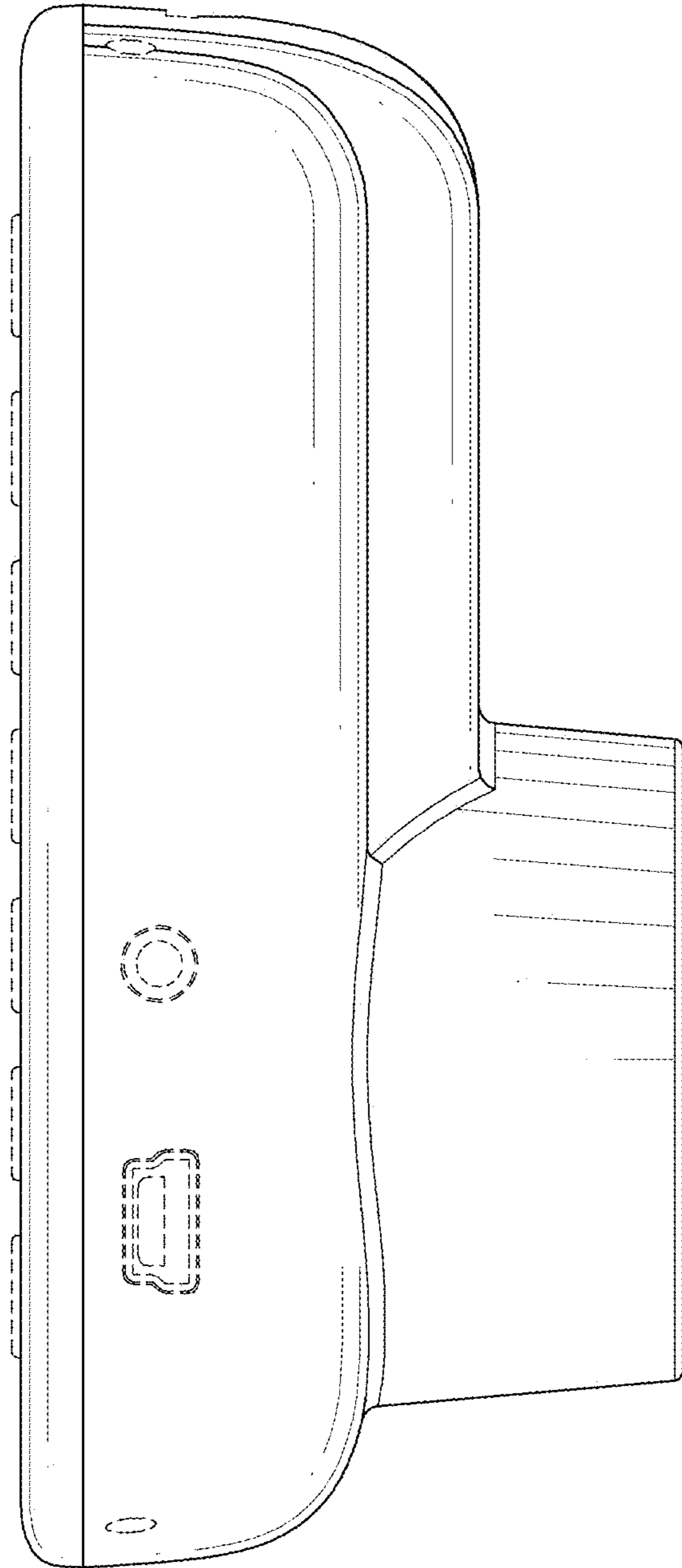


FIG.6

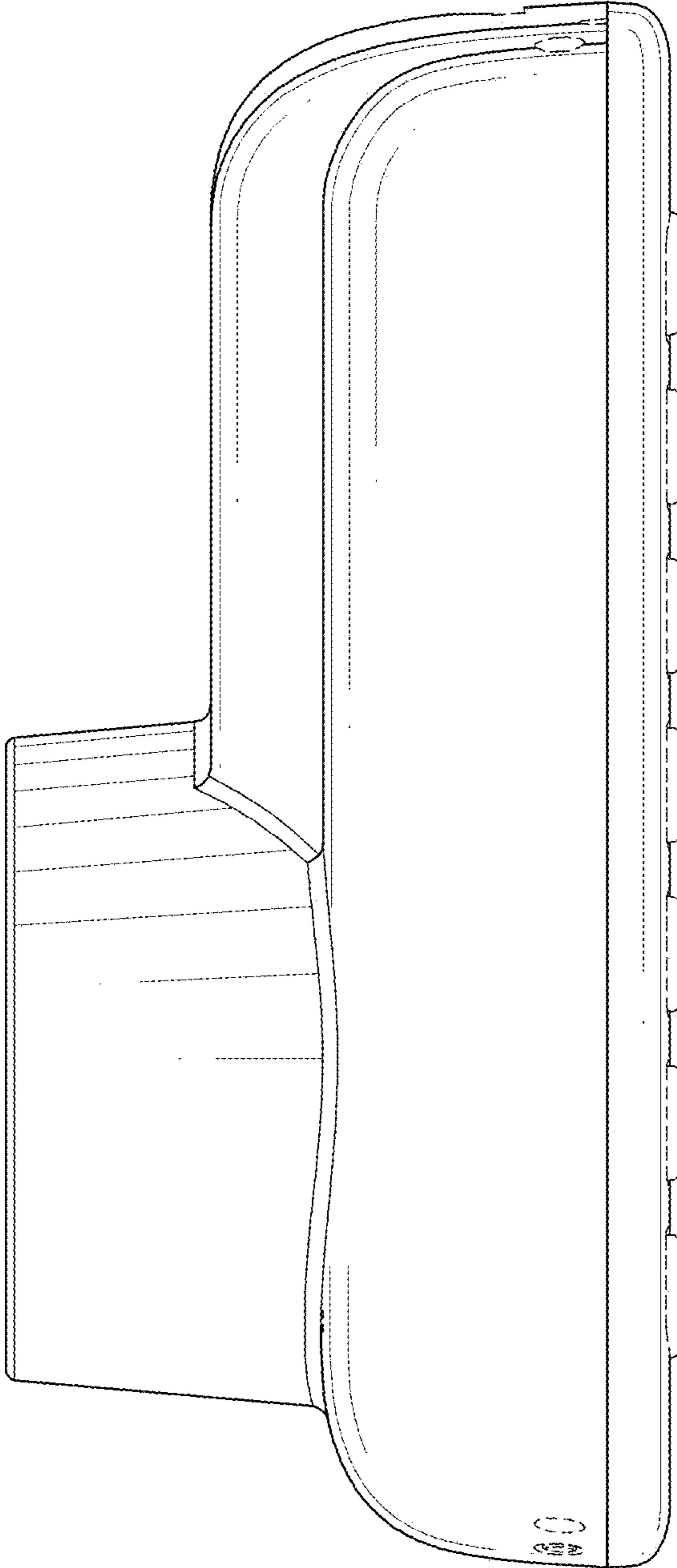


FIG.7

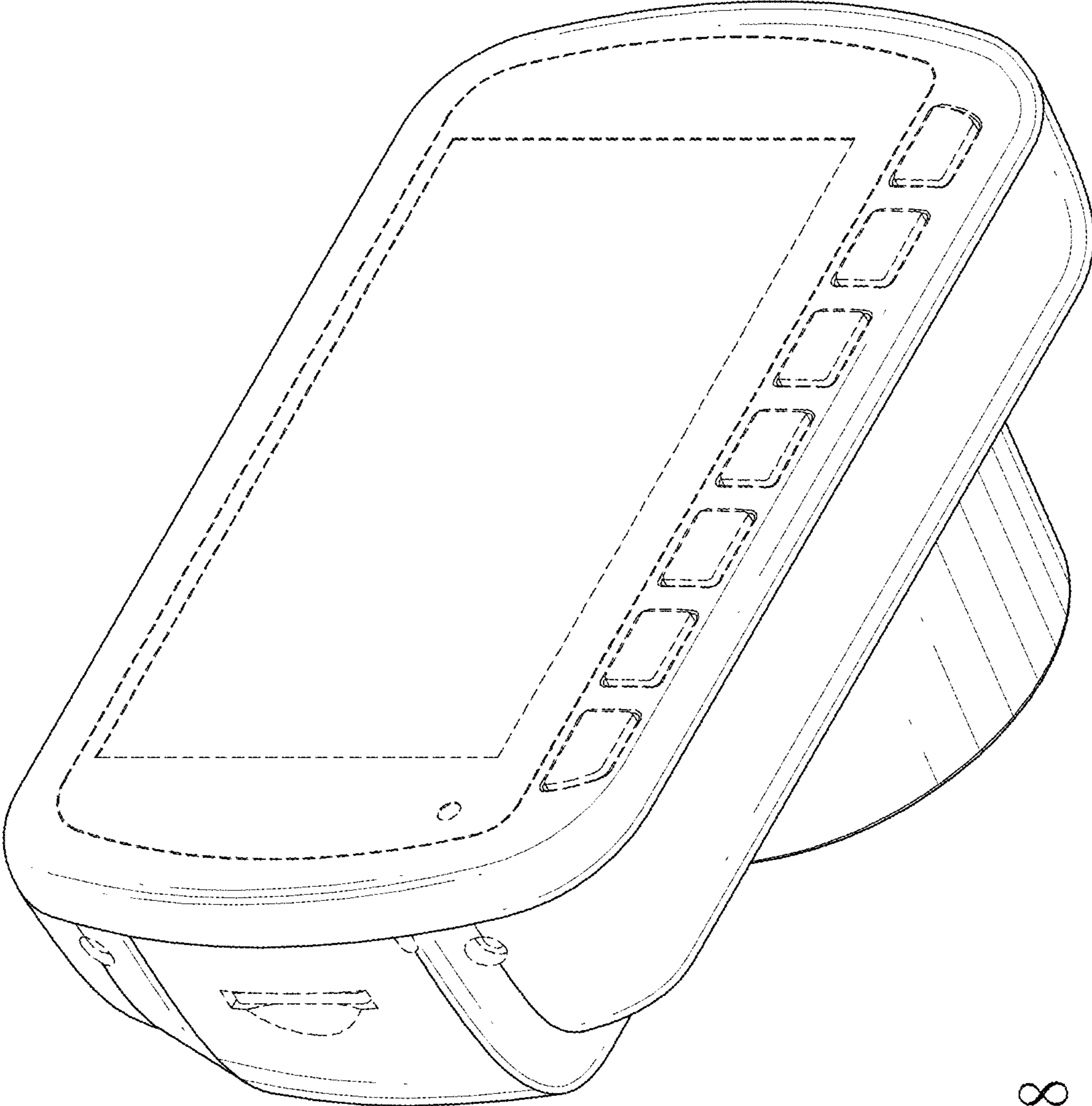


FIG. 8