



US00D888796S

(12) **United States Design Patent**
Carlsson et al.

(10) **Patent No.:** **US D888,796 S**
(45) **Date of Patent:** **** Jun. 30, 2020**

(54) **CAMERA**

(71) Applicant: **Axis AB**, Lund (SE)

(72) Inventors: **Felix Carlsson**, Lund (SE); **Sebastian Engwall**, Lund (SE); **Theodor Wahlgren**, Lund (SE); **Mathias Walter**, Lund (SE); **Jonas Sjögren**, Lund (SE)

(73) Assignee: **AXIS AB**, Lund (SE)

(**) Term: **15 Years**

(21) Appl. No.: **29/673,956**

(22) Filed: **Dec. 18, 2018**

(30) **Foreign Application Priority Data**

Jun. 20, 2018 (EM) 005318508-0001

(51) **LOC (12) Cl.** **16-01**

(52) **U.S. Cl.**
USPC **D16/203**

(58) **Field of Classification Search**
USPC D3/210, 215, 207-209; D8/356, 357; D10/31, 104.1, 50, 65, 74, 70, 118.2, 66; D16/200-220, 131, 132, 237, 242, 239, D16/250, 235, 130, 134, 136, 238; D14/417, 138 C, 240, 248, 203.1, 203.3, D14/203.7, 218, 207, 440, 402, 454, 407, D14/408, 480.3, 480.1, 483; D24/138
CPC . G02B 7/02; G02B 7/021; G02B 7/04; G02B 7/14; G02B 7/003; G02B 7/008; G02B 13/06; G03B 17/00; G03B 17/02; G03B 17/56; G03B 17/04; G03B 17/14; G03B 17/08; G03B 15/03; G03B 15/06; H04N 1/00981; H04N 5/2251; H04N 5/2252; H04N 5/2253; H04N 5/2254; H04N 5/23238; H04N 7/00; H04N 13/239; H04N 2101/00; F16M 13/00
See application file for complete search history.

(56) **References Cited**

U.S. PATENT DOCUMENTS

2,337,213 A * 12/1943 Topping, Jr. H04R 1/2888
181/156
2,915,588 A * 12/1959 Bose H04R 1/403
381/89
2,955,669 A * 10/1960 Rice H04R 1/2865
181/199

(Continued)

FOREIGN PATENT DOCUMENTS

EM 002482281-0001 6/2014
EM 002482281-0002 6/2014

(Continued)

Primary Examiner — T Chase Nelson

Assistant Examiner — Mary Claire Ramirez

(74) *Attorney, Agent, or Firm* — Tucker Ellis LLP

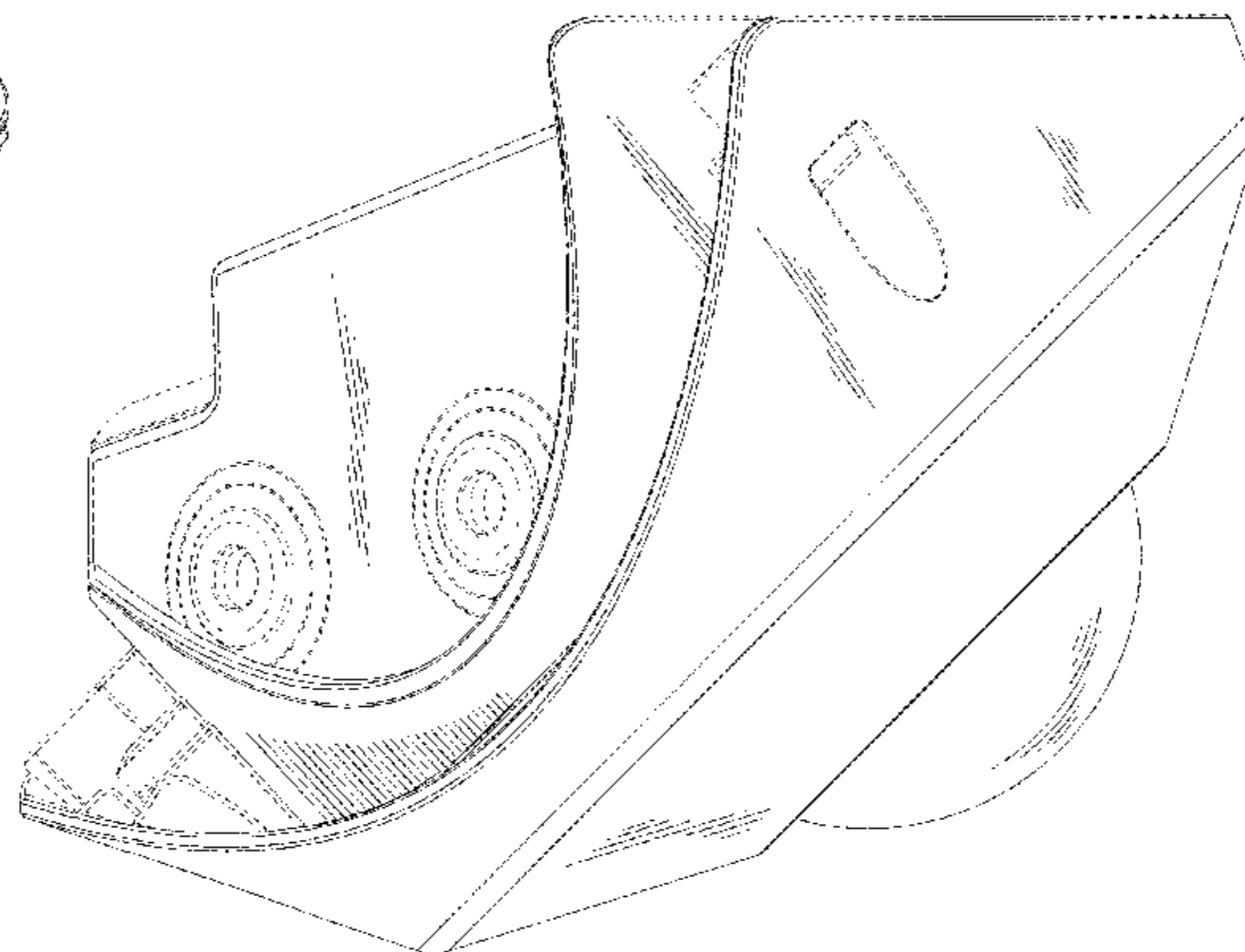
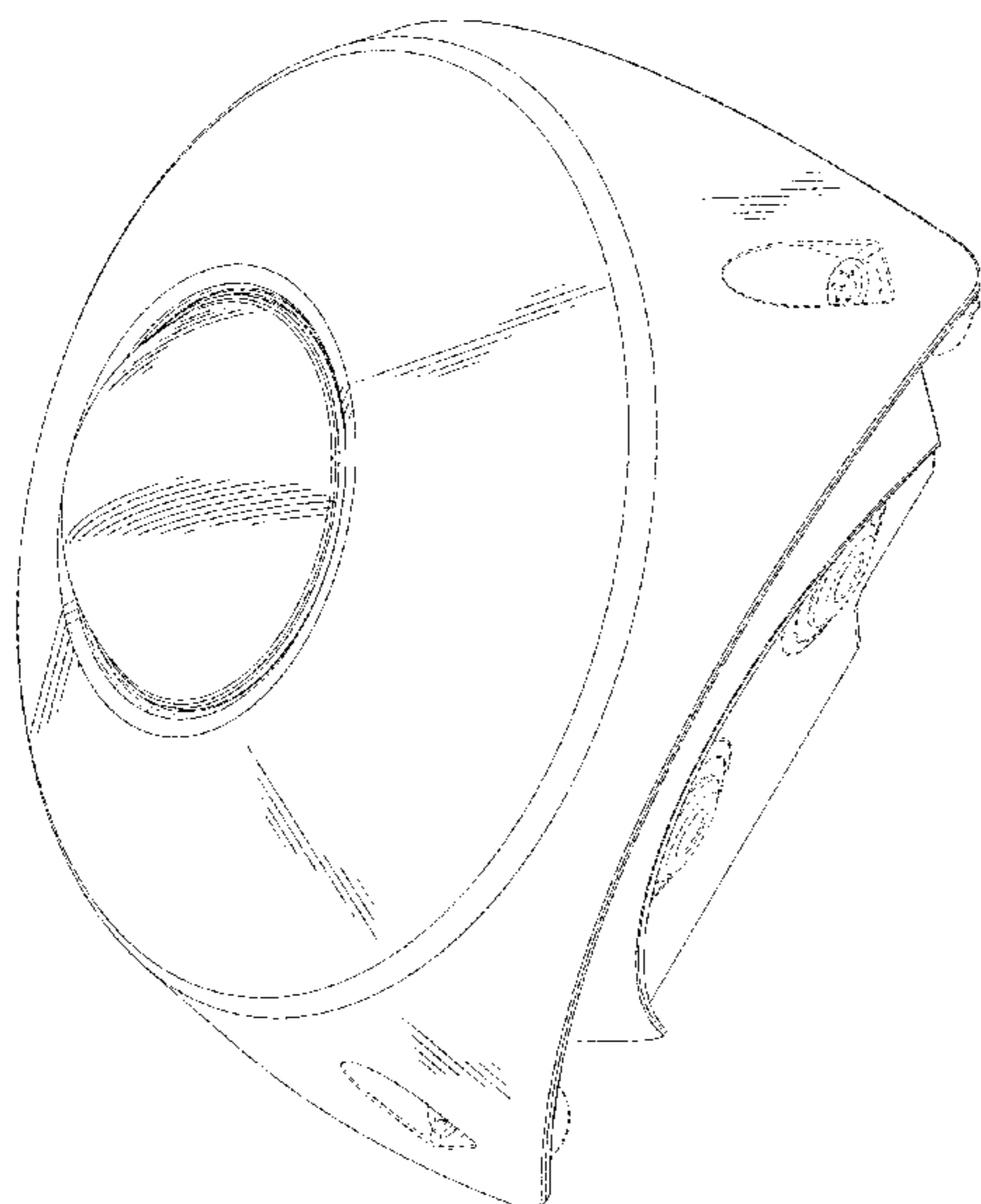
(57) **CLAIM**

The ornamental design for a camera, as shown and described.

DESCRIPTION

FIG. 1 is a perspective view of a camera showing our new design;
FIG. 2 is a front view thereof;
FIG. 3 is a rear view thereof;
FIG. 4 is a right side view thereof;
FIG. 5 is a left side view thereof;
FIG. 6 is a bottom view thereof;
FIG. 7 is a top view thereof; and,
FIG. 8 is another perspective view thereof shown in reduced scale and in an exemplary environment thereof.
The broken lines are for the purpose of illustrating portions of the camera that form no part of the claimed design and for illustrating the exemplary environment thereof.

1 Claim, 8 Drawing Sheets



(56)

References Cited

U.S. PATENT DOCUMENTS

D211,581 S * 7/1968 Lee D14/210
 D220,786 S * 5/1971 Gandy D16/237
 4,083,426 A * 4/1978 Peugh H04R 1/02
 181/144
 4,217,629 A * 8/1980 Russell F21S 8/037
 362/147
 4,249,037 A * 2/1981 Dexter H04R 1/02
 181/144
 4,338,653 A * 7/1982 Marrero F21S 8/037
 362/147
 4,352,151 A * 9/1982 Lewis F21S 8/037
 362/147
 4,536,995 A * 8/1985 Frederick H04R 1/026
 248/220.1
 D282,068 S * 1/1986 Claggett D14/239
 D289,040 S * 3/1987 Olsen D14/212
 4,657,107 A * 4/1987 Harwood H04R 1/02
 181/144
 4,751,885 A * 6/1988 Squire E05G 1/00
 109/51
 D306,168 S * 2/1990 Caputo D14/204
 5,266,751 A * 11/1993 Taguchi H04R 27/00
 181/144
 5,349,134 A * 9/1994 Russell F21S 8/033
 174/492
 D356,088 S * 3/1995 Jewitt D14/210
 5,402,502 A * 3/1995 Boothroyd H04R 1/026
 181/153
 D475,695 S * 6/2003 Petronio D14/216
 6,912,007 B2 * 6/2005 Gin G08B 13/19619
 348/143
 7,055,992 B1 * 6/2006 Accornero F21S 8/033
 362/368

7,419,126 B2 * 9/2008 Gibson F16M 13/025
 248/220.1
 7,726,834 B2 * 6/2010 Senkyr F21S 8/037
 362/217.12
 D645,071 S * 9/2011 Hinkel D16/203
 8,157,049 B1 * 4/2012 Meyer H04R 1/2888
 181/199
 D664,178 S * 7/2012 Hinkel D16/203
 D672,342 S * 12/2012 Herreid, II D14/308
 D688,720 S * 8/2013 Yilin D16/203
 D689,536 S * 9/2013 Li D16/203
 D694,305 S * 11/2013 Katori D16/203
 D694,306 S * 11/2013 Katori D16/203
 D729,861 S * 5/2015 Huang D16/203
 D751,129 S * 3/2016 Lellky D16/203
 D756,437 S * 5/2016 Bennermark D16/203
 D772,324 S * 11/2016 Bennermark D16/203
 D822,088 S * 7/2018 Park D16/203
 D825,358 S * 8/2018 Lee D10/70
 D834,630 S * 11/2018 Huang D16/203
 D856,397 S * 8/2019 Ahman D16/219
 D863,394 S * 10/2019 Shain D16/202
 D863,397 S * 10/2019 Shain D16/202
 D866,636 S * 11/2019 Walter D16/203
 D866,641 S * 11/2019 Walter D16/203
 2016/0094764 A1 * 3/2016 Martin G01P 15/00
 348/208.2

FOREIGN PATENT DOCUMENTS

TW D138370 12/2010
 TW D161498 7/2014
 TW D170660 9/2015
 TW D180940 1/2017

* cited by examiner

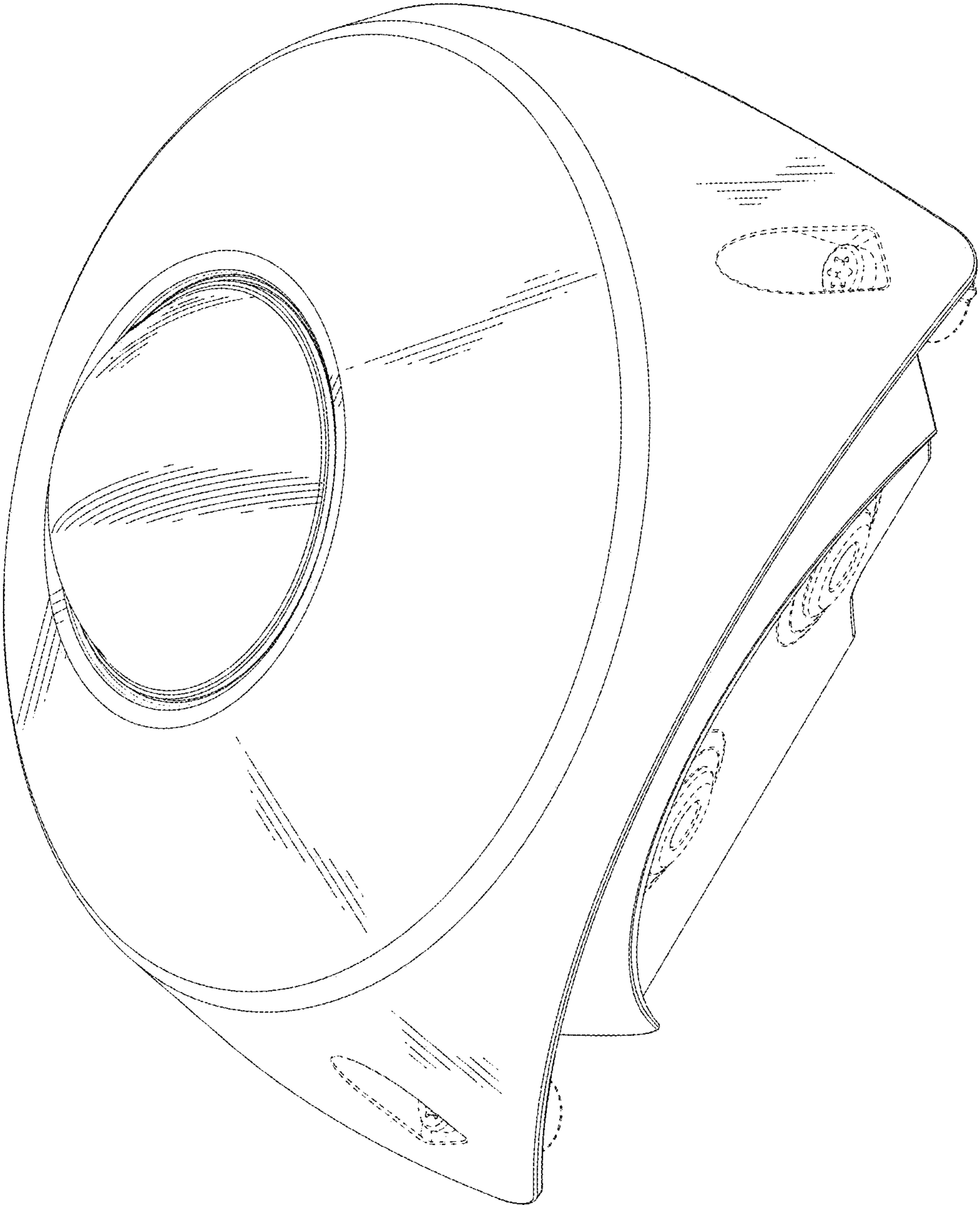


FIG. 1

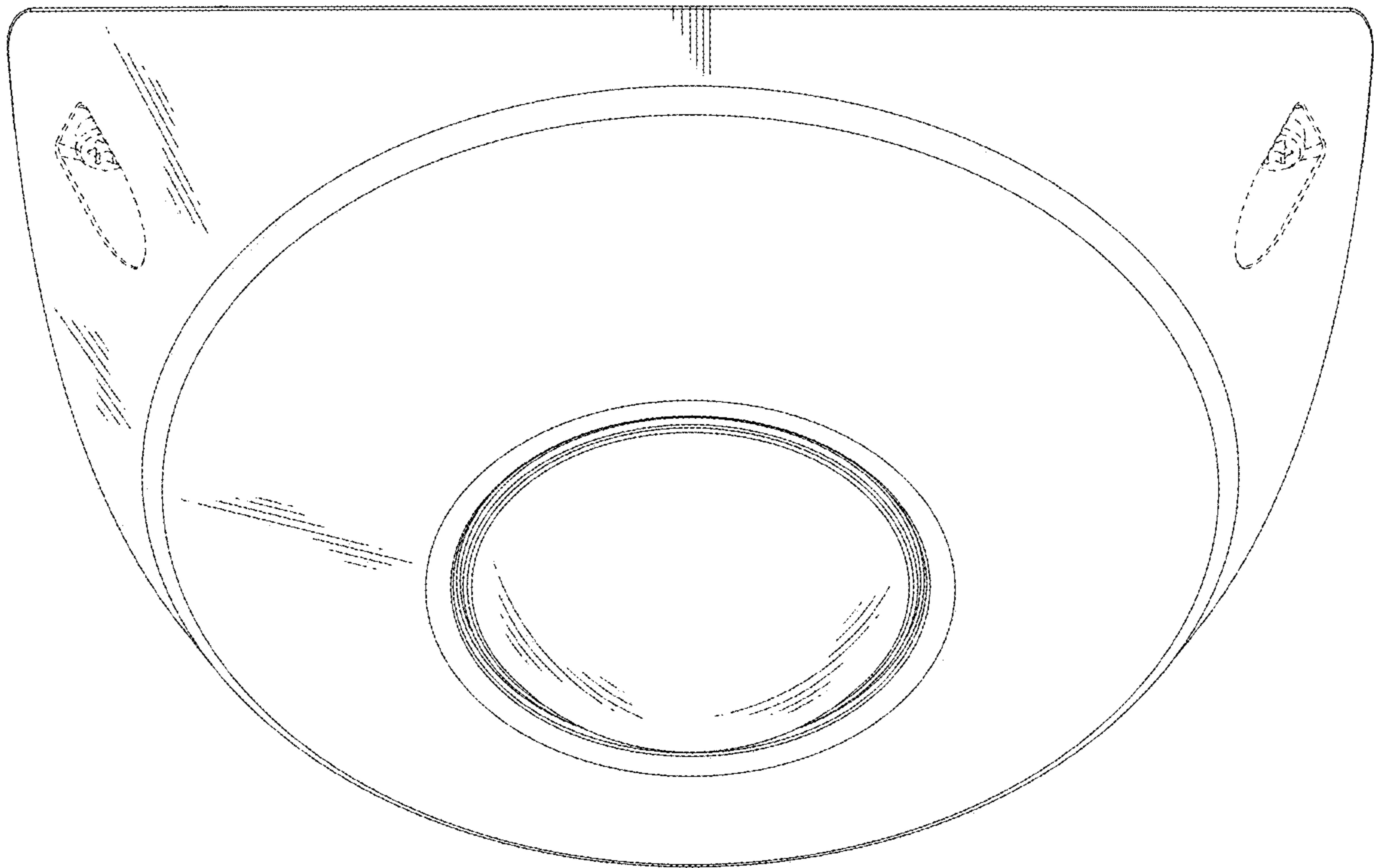


FIG. 2

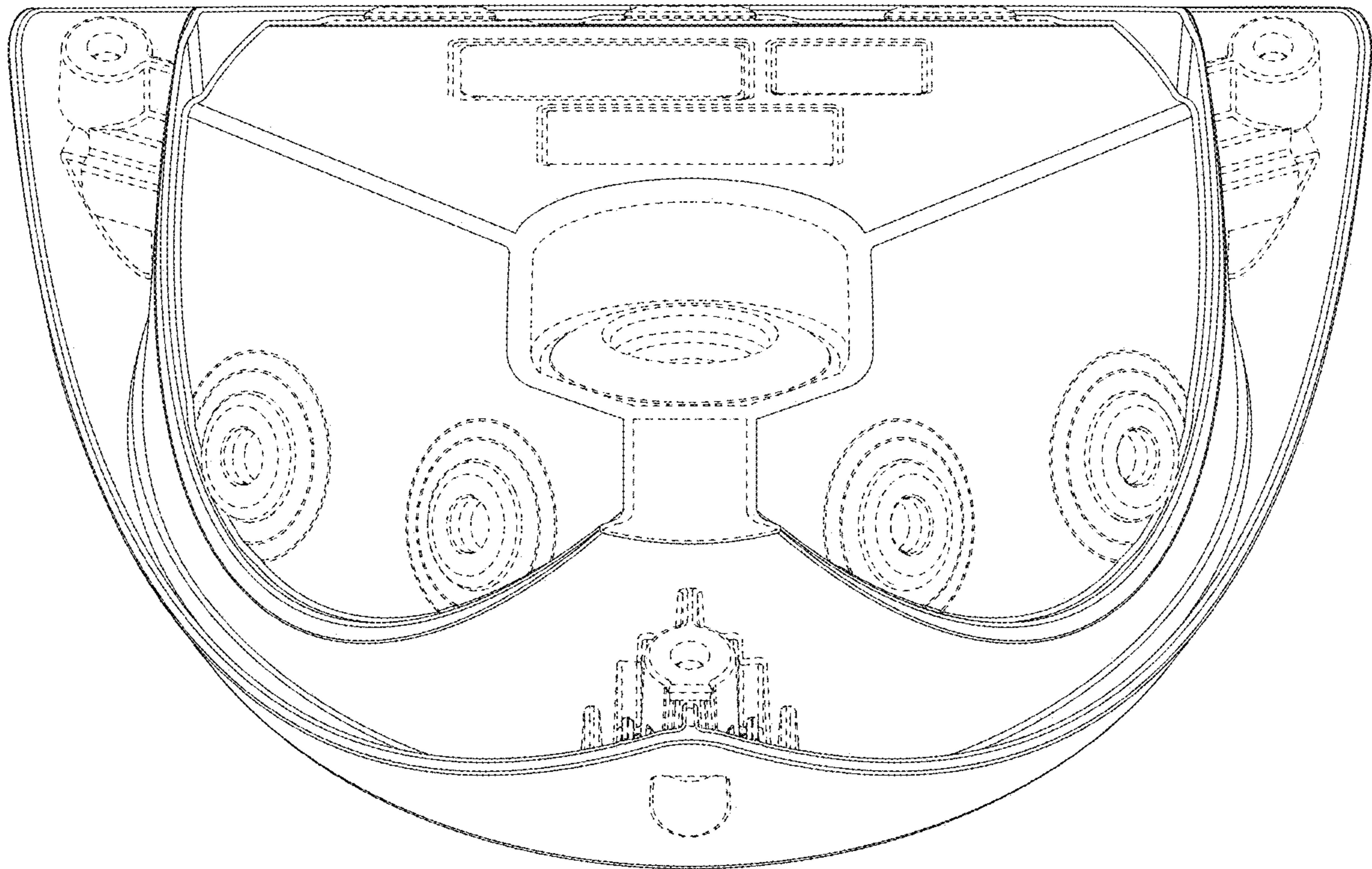


FIG. 3

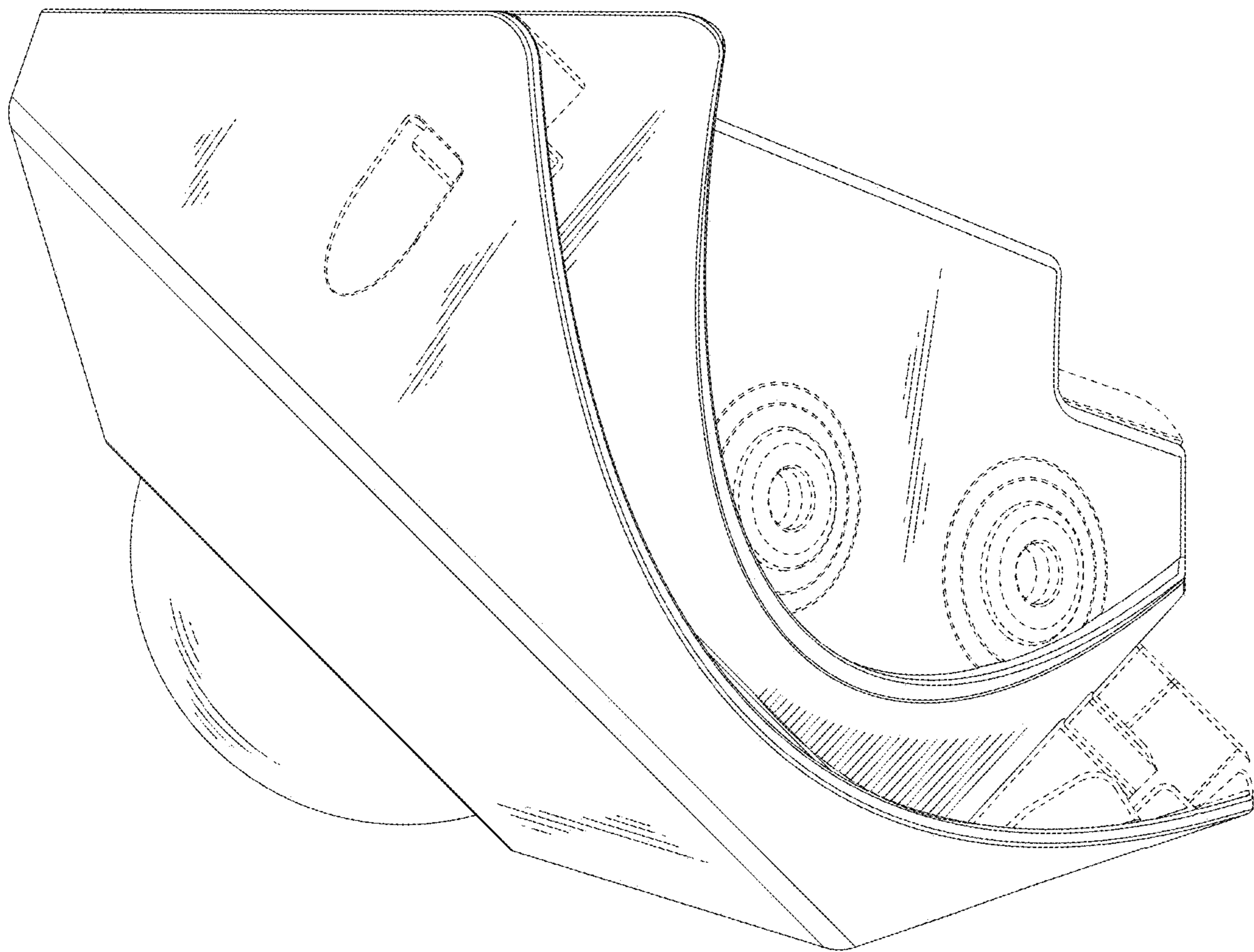


FIG. 4

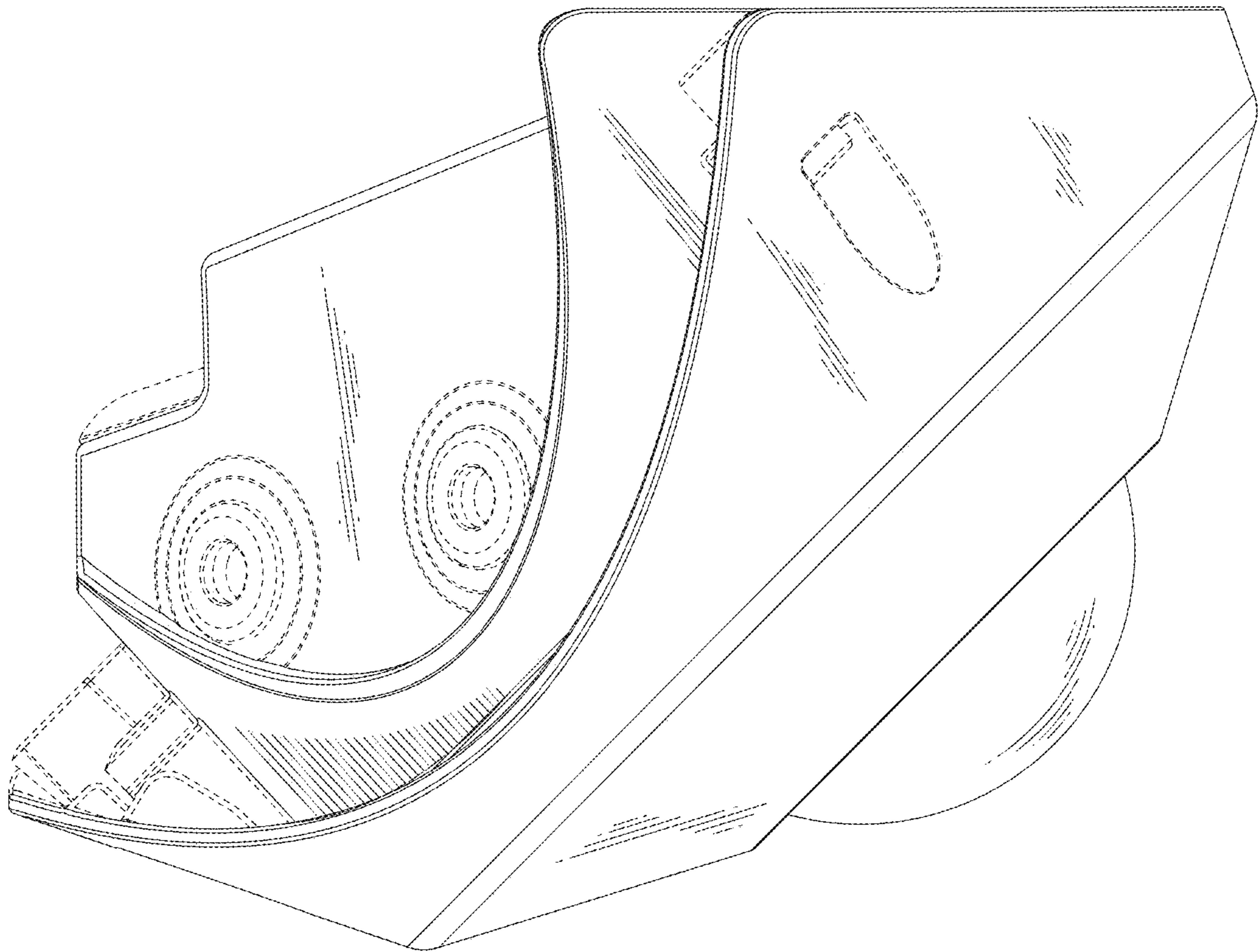


FIG. 5

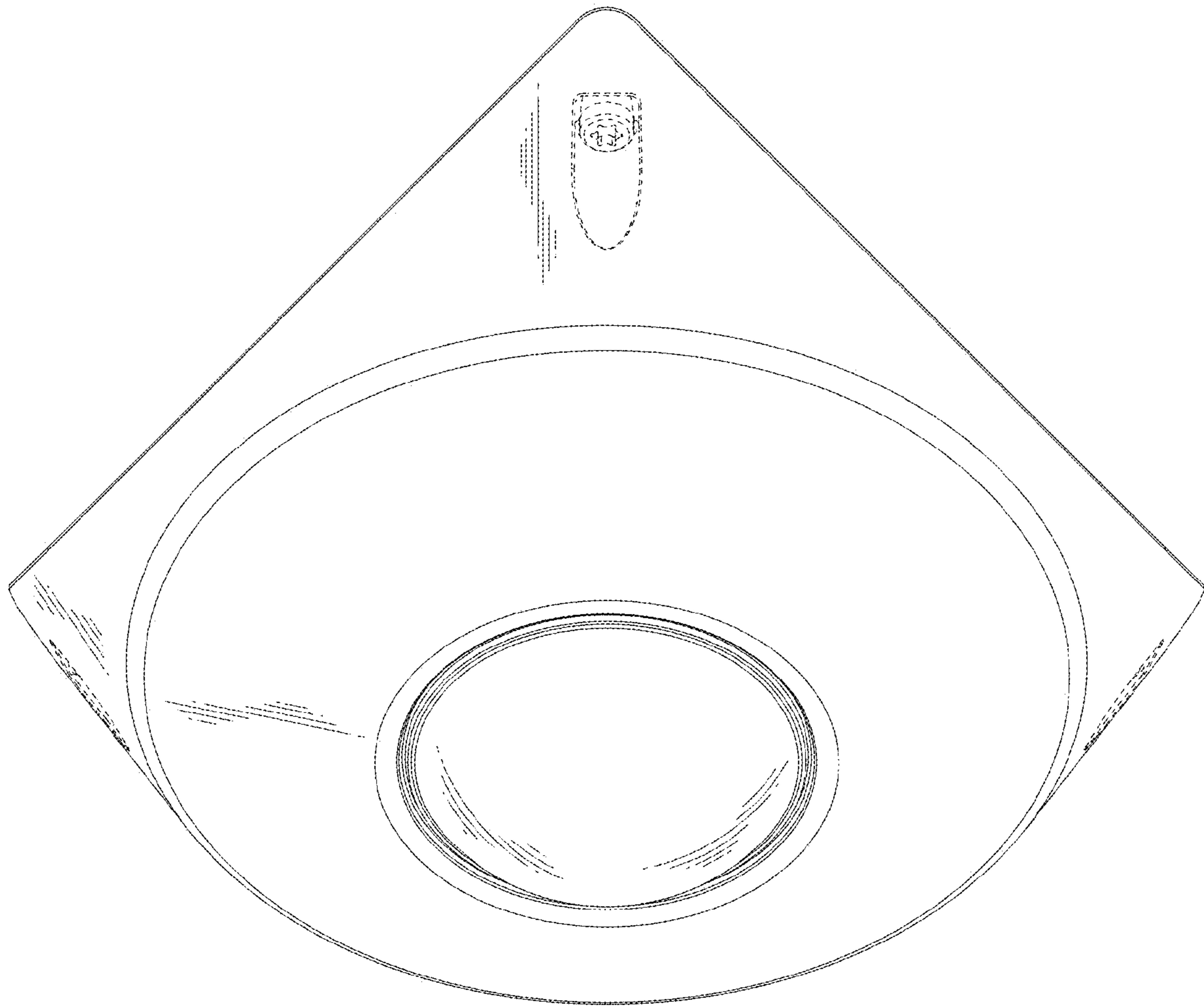


FIG. 6

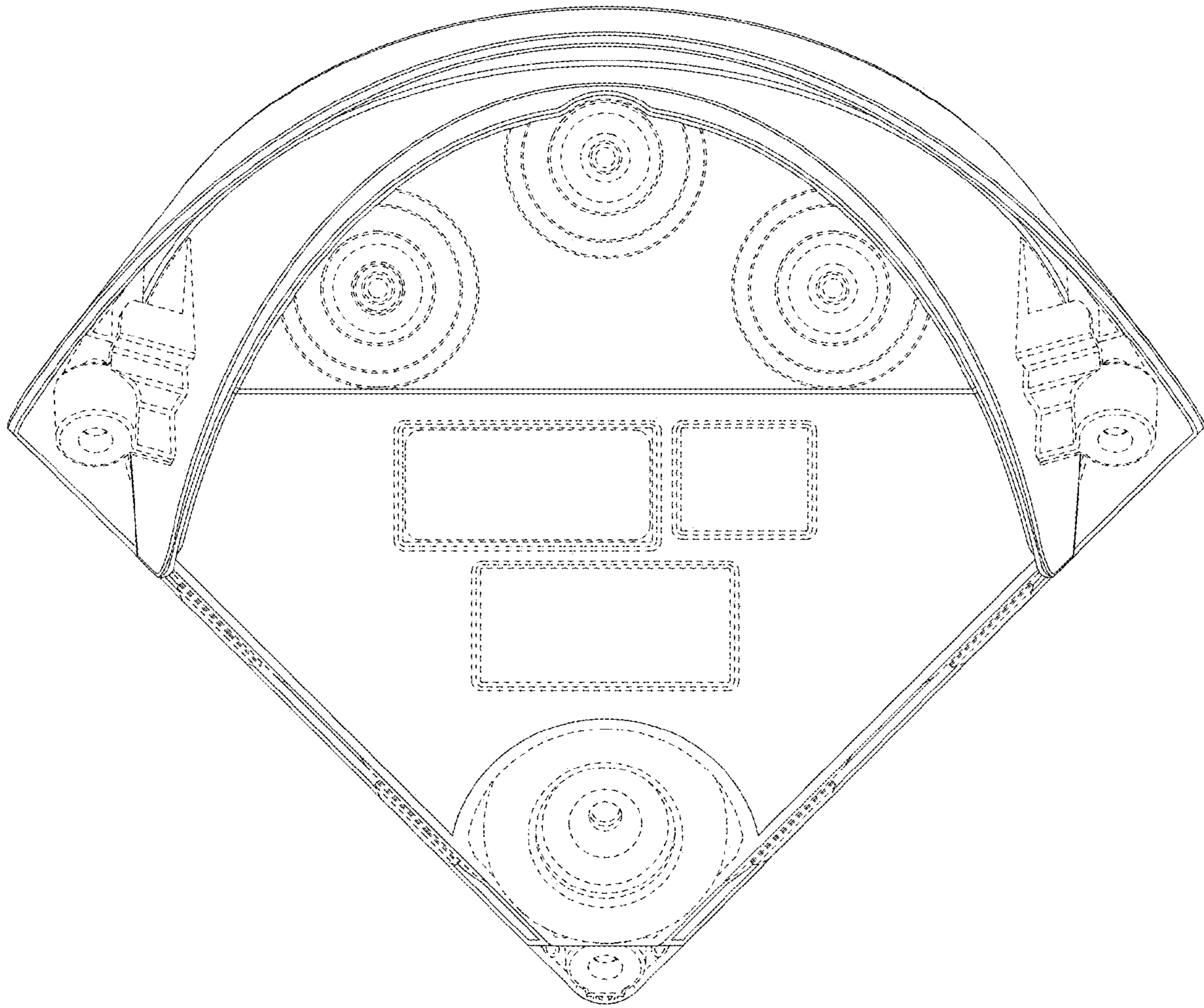


FIG. 7

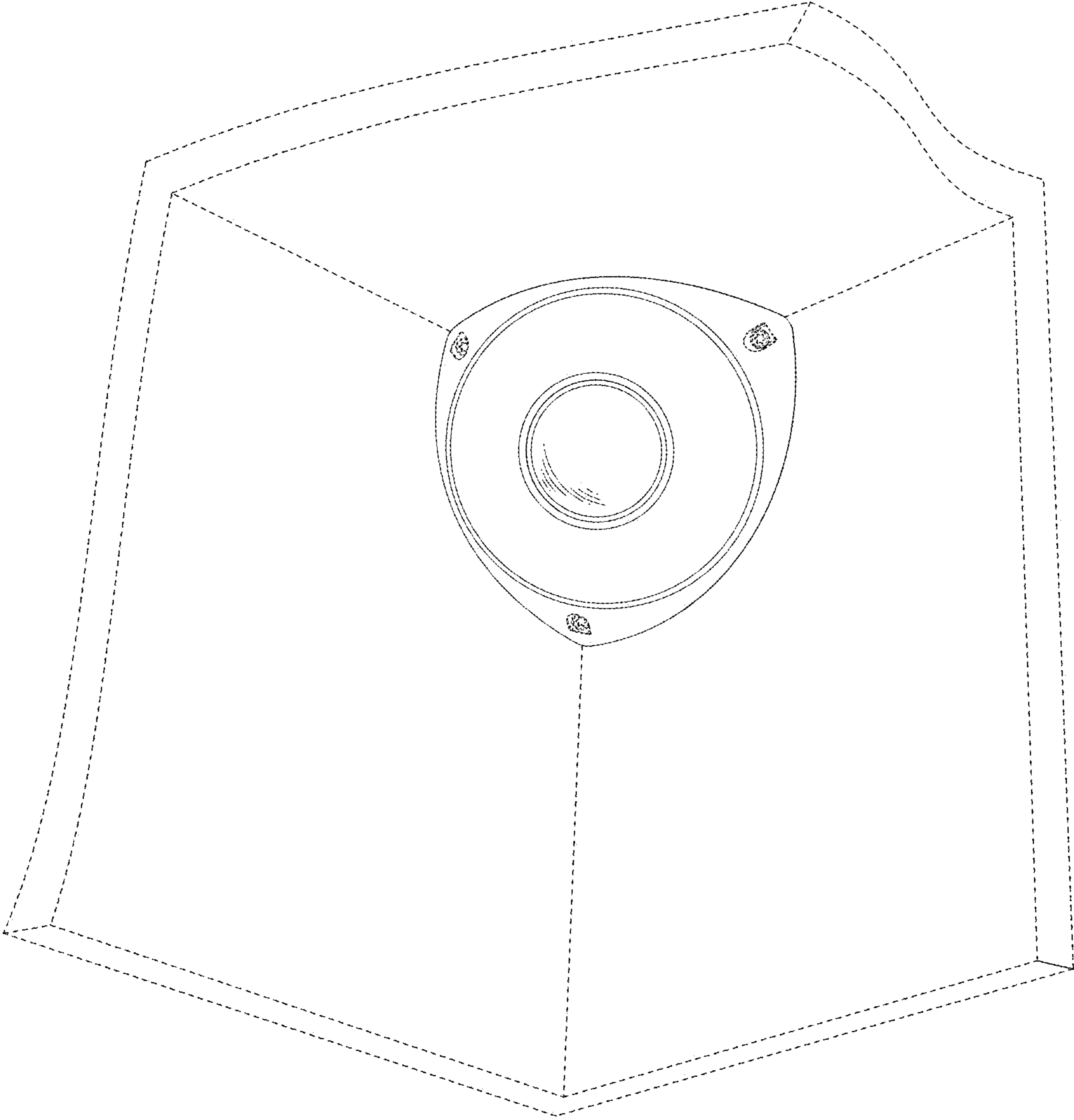


FIG. 8