



US00D888795S

(12) **United States Design Patent** (10) **Patent No.:** **US D888,795 S**  
**Yuan** (45) **Date of Patent:** **\*\* Jun. 30, 2020**

(54) **SURVEILLANCE CAMERA**

(74) *Attorney, Agent, or Firm* — HYIP

(71) Applicant: **Hangzhou EyeCloud Technologies Co., Ltd.**, Zhejiang (CN)

(57) **CLAIM**

The ornamental design for a surveillance camera, as shown and described.

(72) Inventor: **Po Yuan**, San Jose, CA (US)

**DESCRIPTION**

(\*\*) Term: **15 Years**

(21) Appl. No.: **29/654,985**

(22) Filed: **Jun. 29, 2018**

(51) **LOC (12) Cl.** ..... **16-01**

(52) **U.S. Cl.**  
USPC ..... **D16/203; D16/202**

(58) **Field of Classification Search**  
USPC ..... D16/200–220, 131, 237, 242, 239, 250,  
D16/235, 130, 134, 136, 238;

(Continued)

(56) **References Cited**

**U.S. PATENT DOCUMENTS**

6,553,459 B1 \* 4/2003 Silverbrook ..... B41J 2/01  
400/88

D575,647 S \* 8/2008 Lobermeier ..... D10/102  
(Continued)

**FOREIGN PATENT DOCUMENTS**

CN 303628620 \* 3/2016  
CN 303988479 \* 12/2016

(Continued)

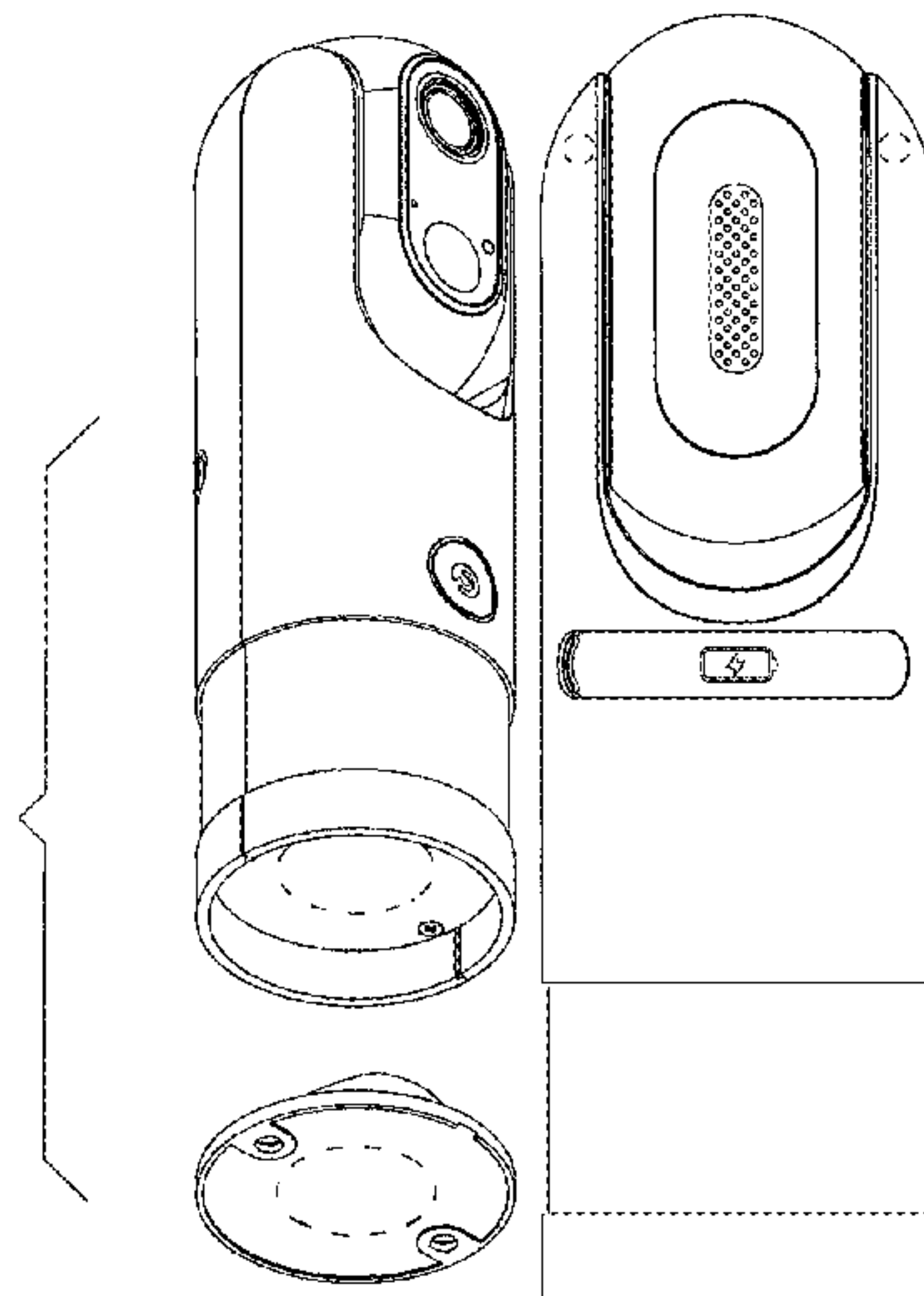
**OTHER PUBLICATIONS**

Eyecloud Cam, published Sep. 18, 2018 [online], [retrieved Sep. 23, 2019], Available from Internet, URL: [https://proclockers.com/news/eyecloud-cam-keeps-%E2%80%9Cai%E2%80%9D-your-safety-affordable-kickstarter-campaign.\\*](https://proclockers.com/news/eyecloud-cam-keeps-%E2%80%9Cai%E2%80%9D-your-safety-affordable-kickstarter-campaign.*)

*Primary Examiner* — T Chase Nelson  
*Assistant Examiner* — Mary Claire Ramirez

FIG. 1 is an exploded front, left perspective view of a surveillance camera showing my new design;  
FIG. 2 is a left side view of the surveillance camera shown assembled;  
FIG. 3 is another exploded front, left perspective view of the surveillance camera, showing the base in an alternative position;  
FIG. 4 is a rear view of the surveillance camera shown assembled in an alternate configuration;  
FIG. 5 is a front view of the surveillance camera, showing the camera separate from the base to show aspects of the design that are not visible when combined;  
FIG. 6 is a rear elevational view thereof;  
FIG. 7 is a left side view thereof;  
FIG. 8 is a right side view thereof;  
FIG. 9 is an enlarged top plan view thereof;  
FIG. 10 is an enlarged bottom plan view thereof;  
FIG. 11 is a front, left perspective view showing the surveillance camera in FIG. 5;  
FIG. 12 is a rear, left perspective view thereof;  
FIG. 13 is a bottom, left perspective view thereof;  
FIG. 14 is a bottom view of the surveillance camera, showing the base separate from the camera to show aspects of the design that are not visible when combined;  
FIG. 15 is a top plan view thereof;  
FIG. 16 is a left side view thereof;  
FIG. 17 is a right side view thereof;  
FIG. 18 is a front view thereof;  
FIG. 19 is a front view thereof;  
FIG. 20 is a bottom, right perspective view thereof; and  
FIG. 21 is a top, left perspective view thereof.  
The broken lines shown in the drawings depict portions of the surveillance camera that form no part of the claimed design.

**1 Claim, 16 Drawing Sheets**



(58) **Field of Classification Search**

USPC .. D14/138 C, 240, 248, 203.1, 203.3, 203.7,  
 D14/218, 207; D10/104.1, 50, 65, 74,  
 D10/70, 118.2  
 CPC . G02B 7/02; G02B 7/021; G02B 7/04; G02B  
 7/14; G02B 7/003; G03B 17/00; G03B  
 17/02; G03B 17/56; G03B 17/04; G03B  
 17/14; G03B 17/08; G03B 15/03; G03B  
 15/06; H04N 5/2251; H04N 5/2252;  
 H04N 5/2253; H04N 5/2254; H04N 7/00;  
 H04N 2101/00; F16M 13/00  
 See application file for complete search history.

(56) **References Cited**

U.S. PATENT DOCUMENTS

8,525,880 B2 \* 9/2013 DiPoala ..... G08B 17/00  
 348/143  
 D715,661 S \* 10/2014 McKaughan ..... D10/53  
 D715,662 S \* 10/2014 Aicher ..... D10/53  
 D746,350 S \* 12/2015 Li ..... D16/203  
 D746,889 S \* 1/2016 Moon ..... D16/203  
 D747,756 S \* 1/2016 Scalisi ..... D16/203  
 D785,067 S \* 4/2017 Ramones ..... D16/203  
 D788,834 S \* 6/2017 Bhattacharya ..... D16/203

D794,694 S \* 8/2017 Liu ..... D16/203  
 D795,941 S \* 8/2017 Dimitriadis ..... D16/203  
 D798,360 S \* 9/2017 Jeong ..... D16/203  
 D800,817 S \* 10/2017 Sutton ..... D16/202  
 D805,570 S \* 12/2017 Shi ..... D16/202  
 D806,154 S \* 12/2017 Shi ..... D16/202  
 D810,168 S \* 2/2018 Shi ..... D16/202  
 D813,925 S \* 3/2018 Park ..... D16/203  
 D830,872 S \* 10/2018 Jacob ..... D10/118.2  
 D835,701 S \* 12/2018 Song ..... D16/219  
 D836,147 S \* 12/2018 Rao ..... D16/203  
 D848,891 S \* 5/2019 Paredes ..... D10/118.2  
 D849,077 S \* 5/2019 Tian ..... D16/202  
 D853,464 S \* 7/2019 Moon ..... D16/219  
 D855,484 S \* 8/2019 Plested ..... D10/104.1  
 D869,541 S \* 12/2019 Wang ..... D16/203  
 D874,536 S \* 2/2020 Park ..... D16/203  
 2009/0284644 A1 \* 11/2009 McKaughan ..... G01C 3/08  
 348/348  
 2017/0085757 A1 \* 3/2017 Ramones ..... H04N 5/2252

FOREIGN PATENT DOCUMENTS

CN 304139528 \* 5/2017  
 CN 304288193 \* 9/2017  
 CN 304672522 \* 6/2018  
 CN 304672547 \* 6/2018

\* cited by examiner

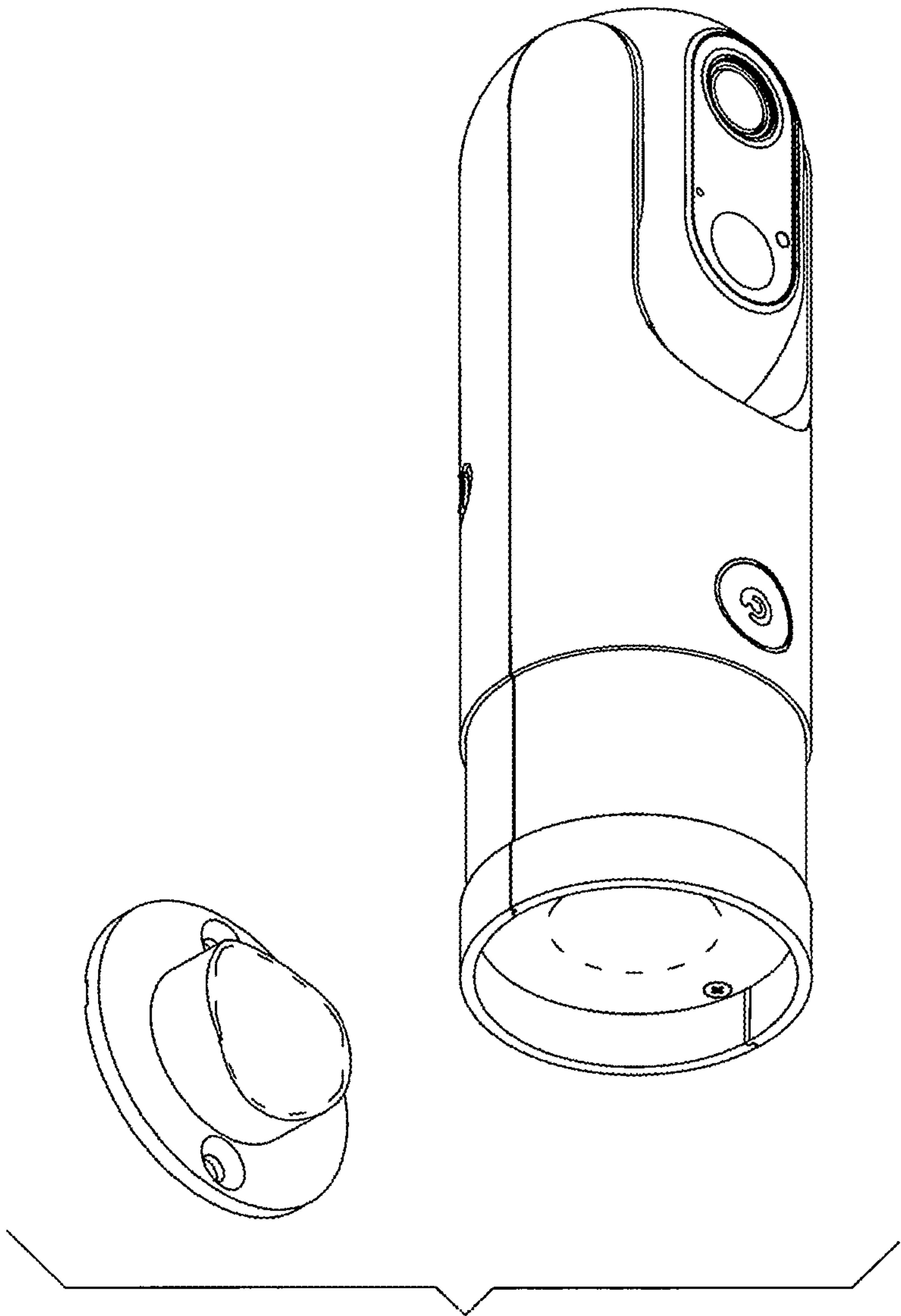


FIG. 1

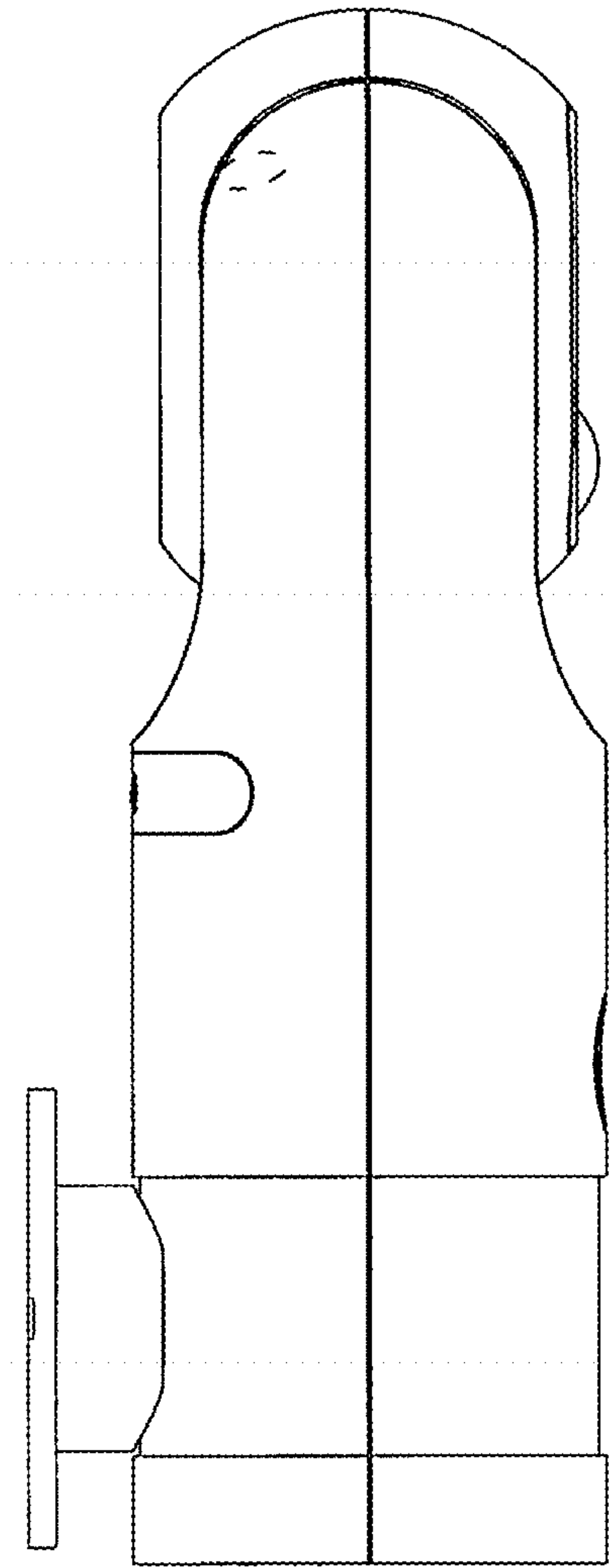


FIG. 2

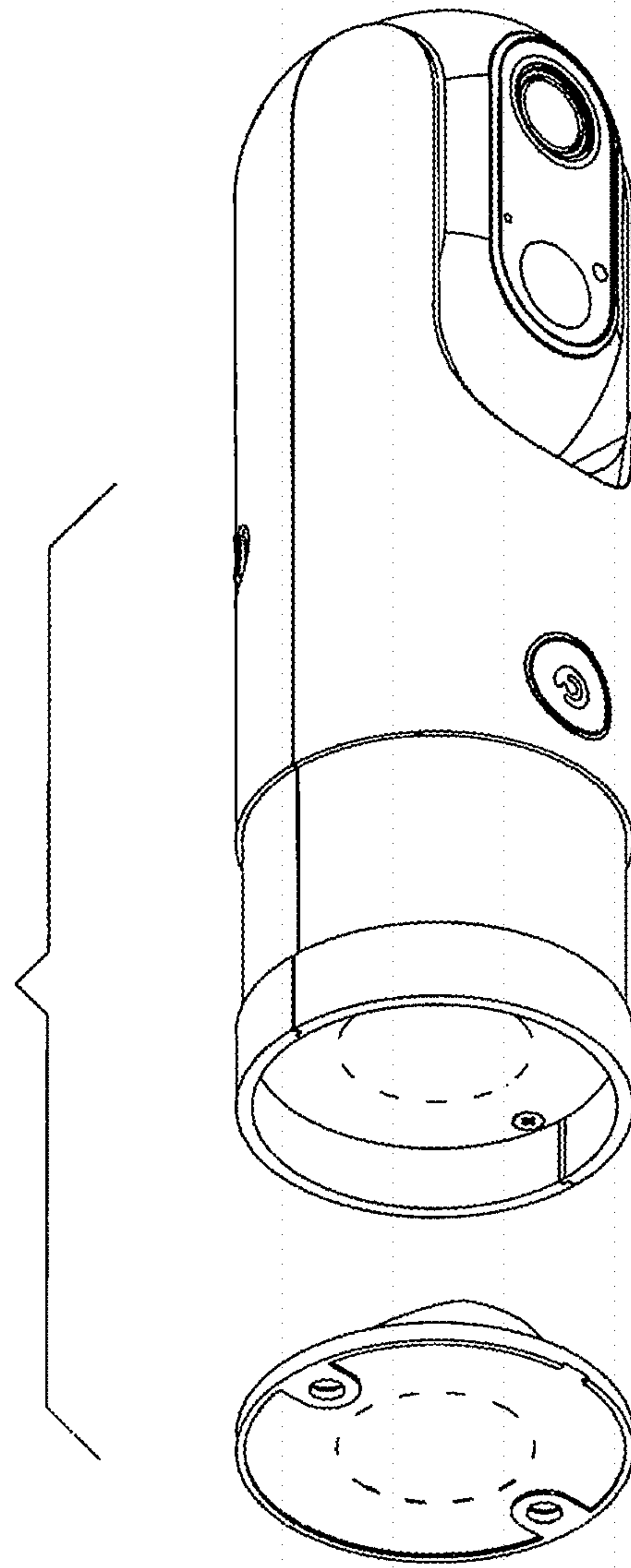


FIG. 3



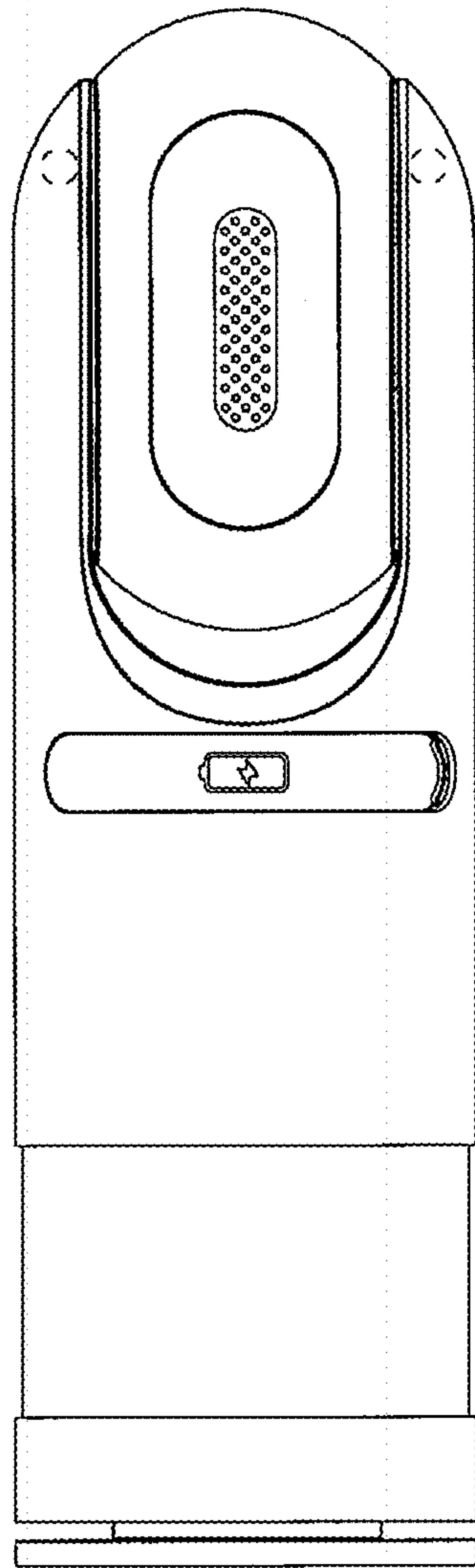
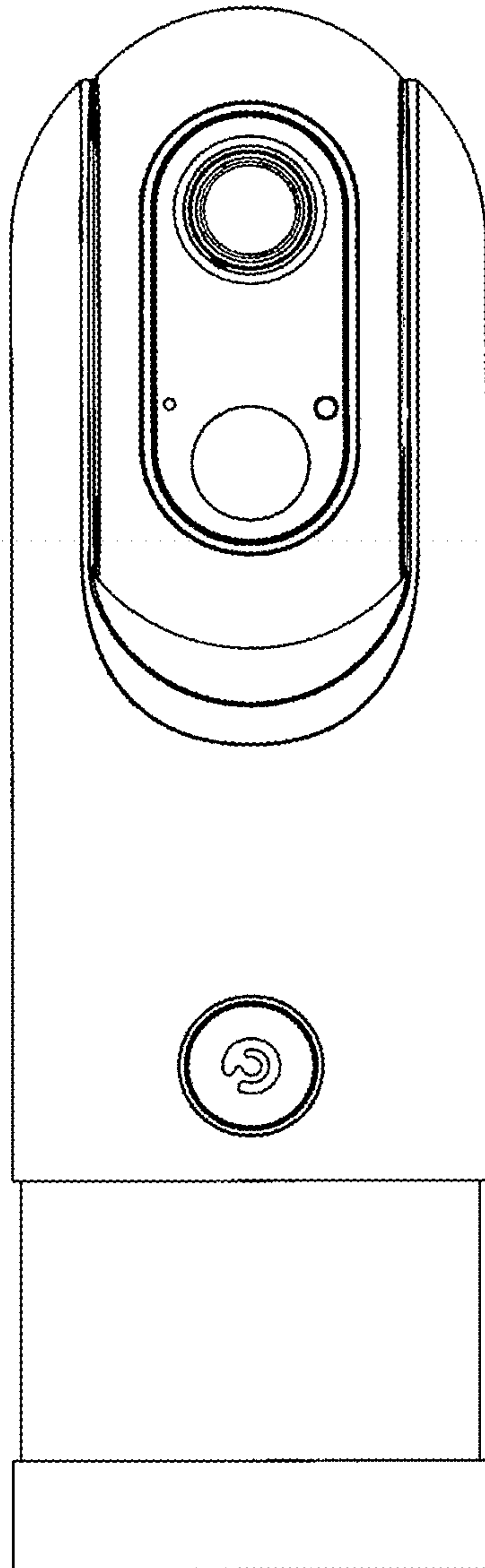


FIG. 4



**FIG. 5**

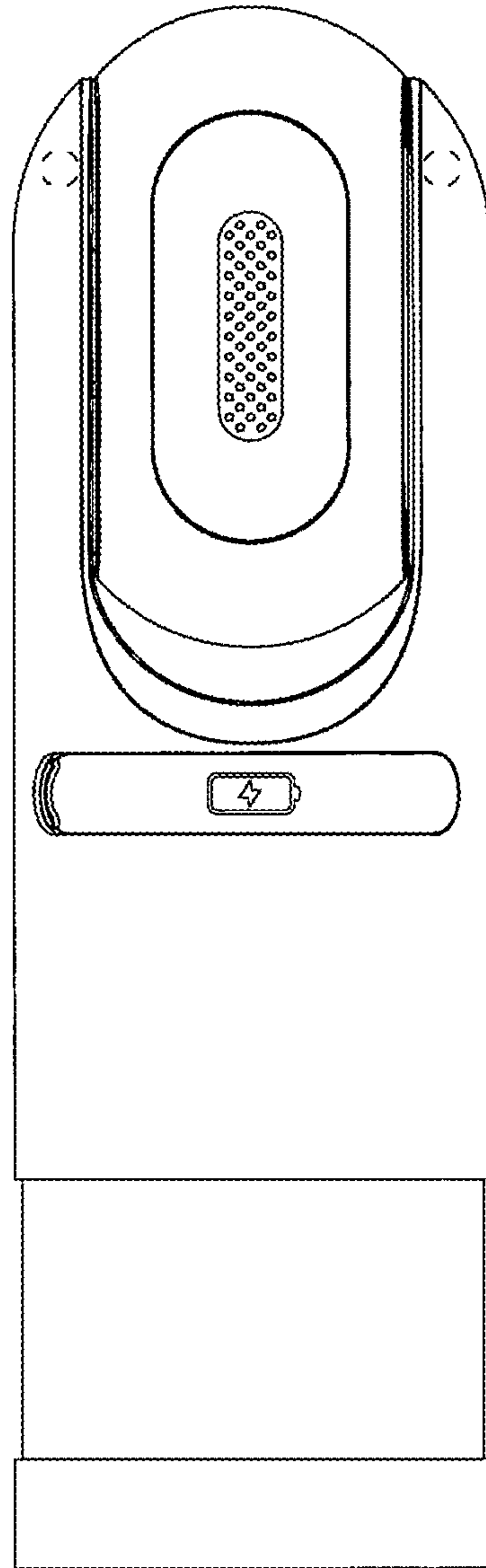


FIG. 6



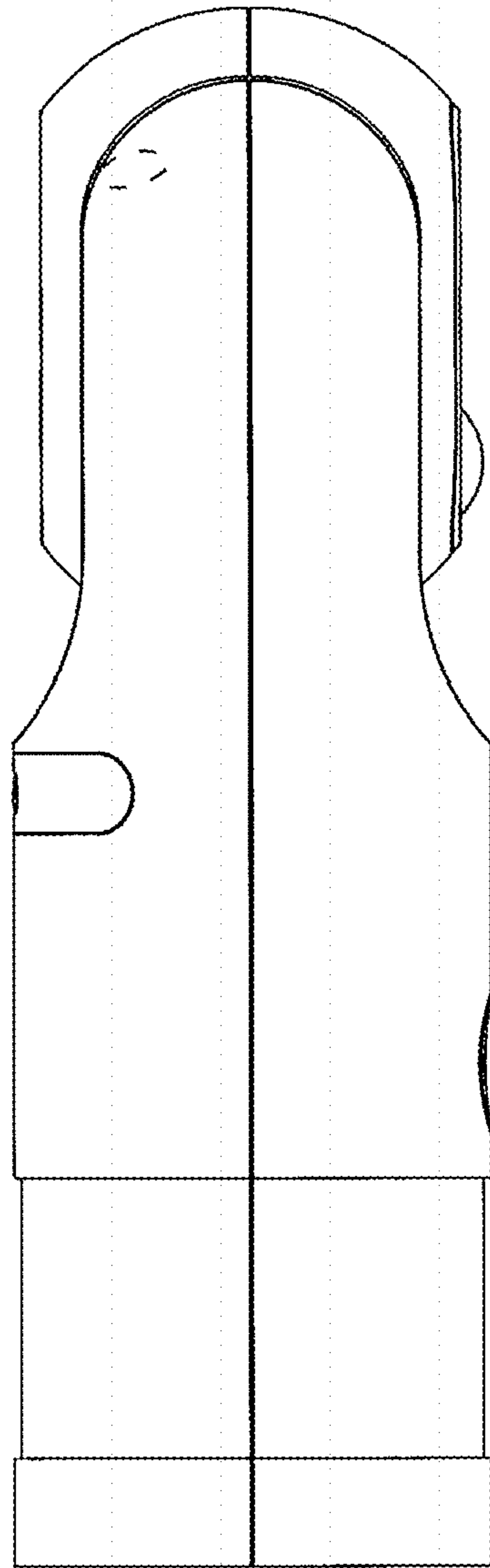


FIG. 7

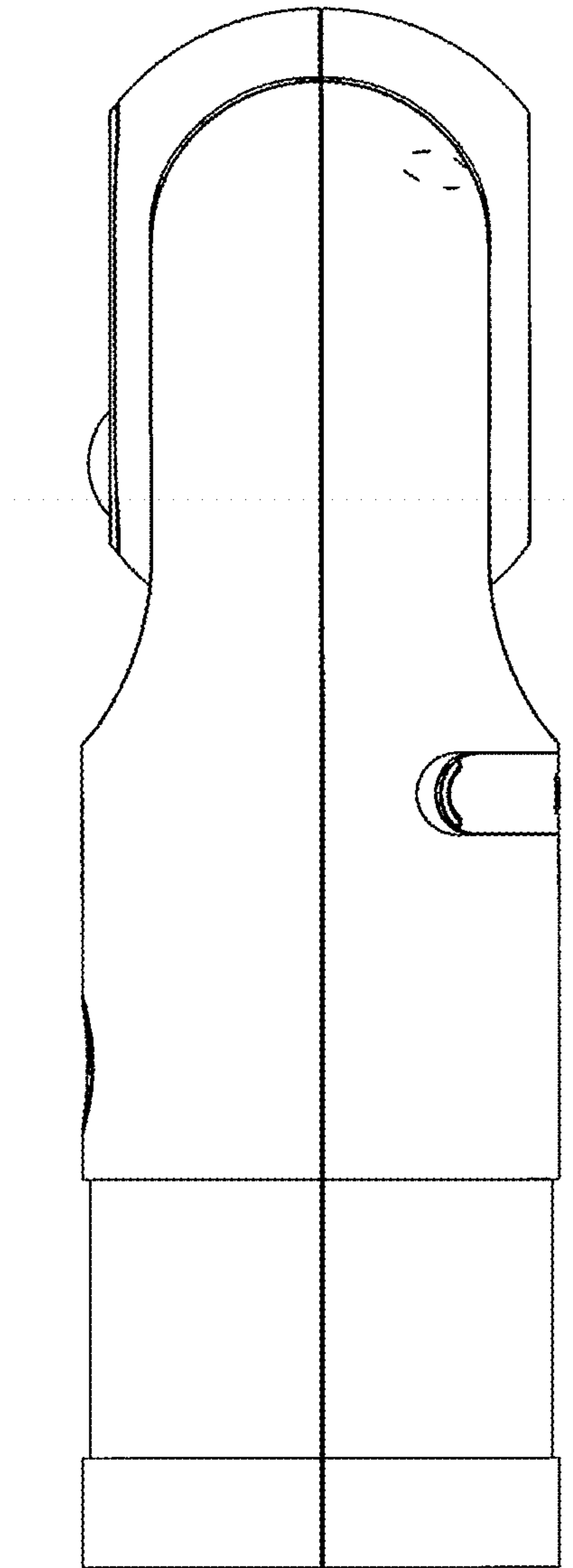
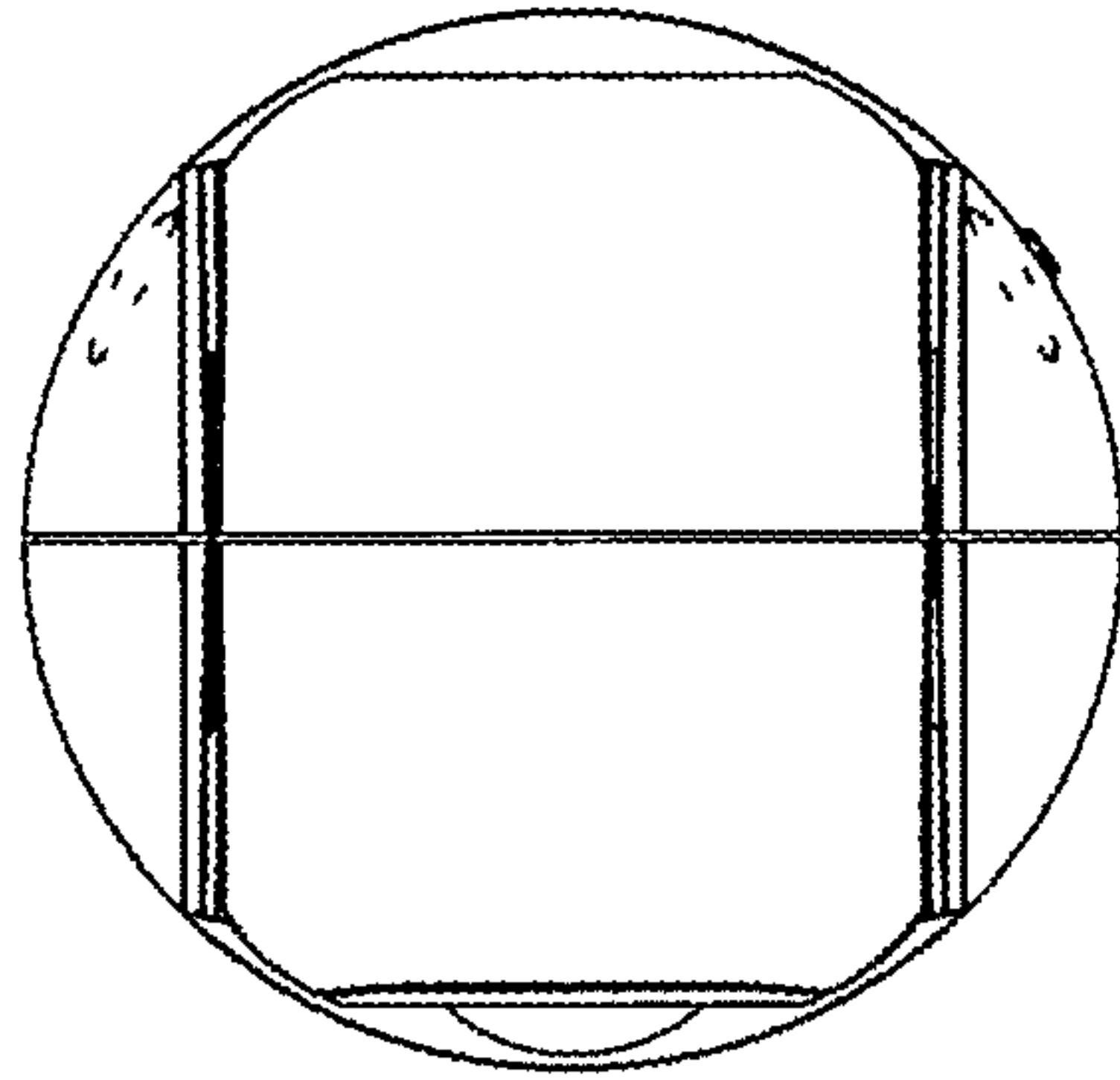
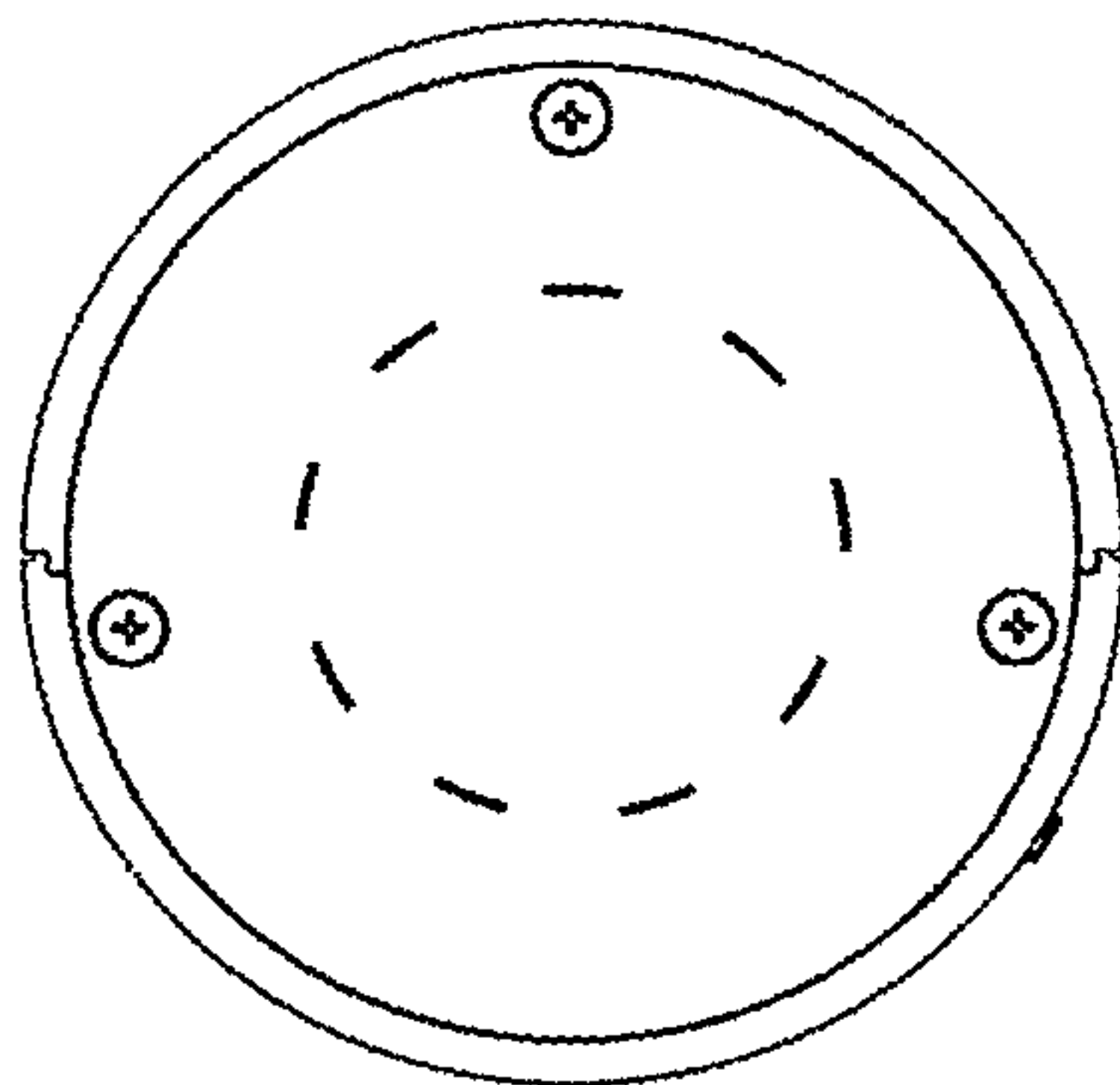


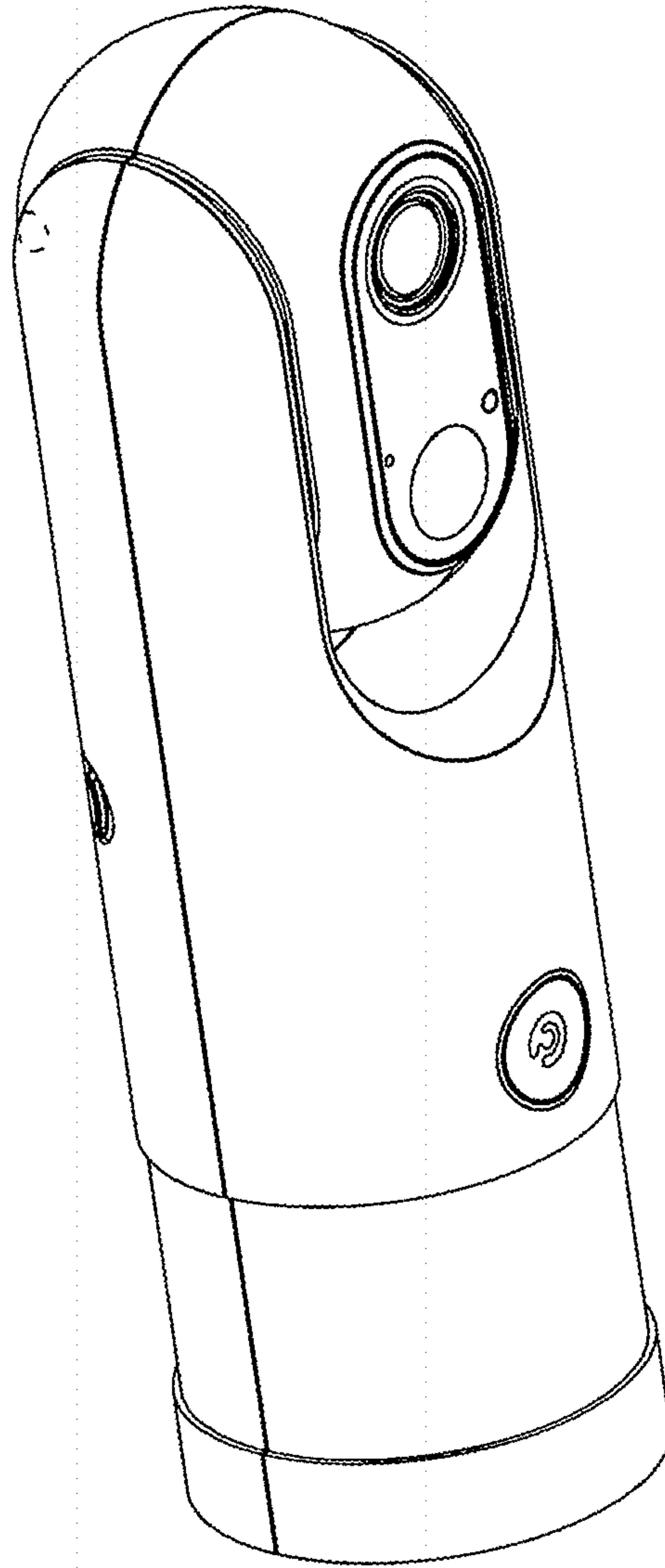
FIG. 8



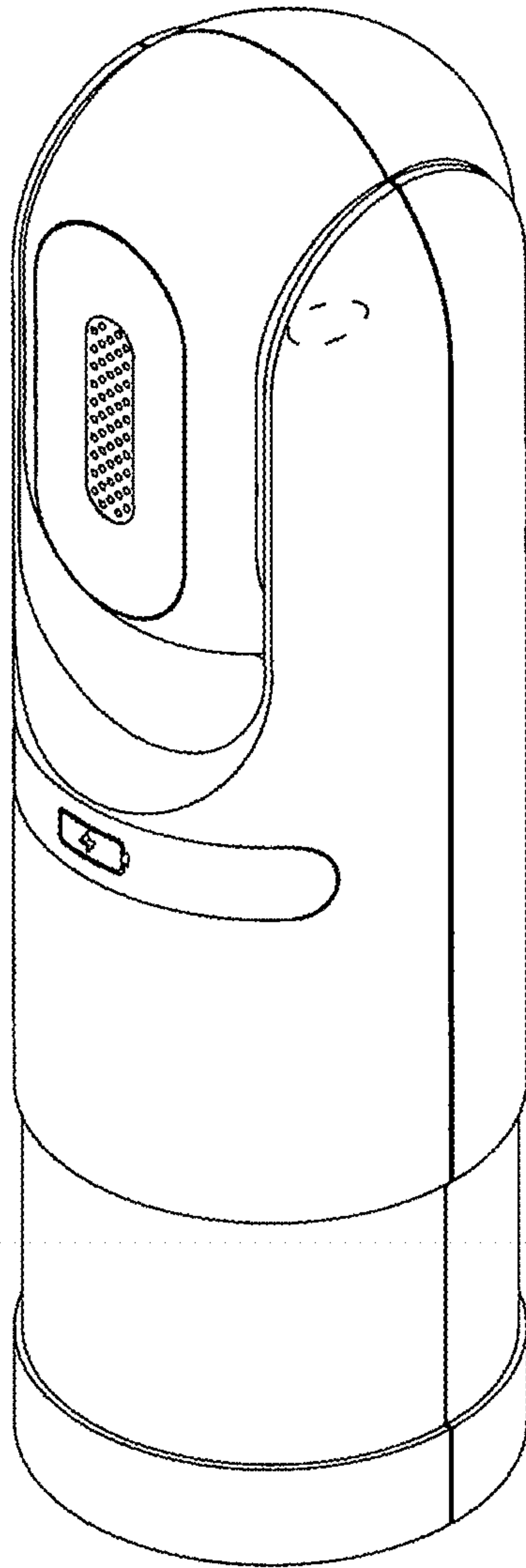
**FIG. 9**



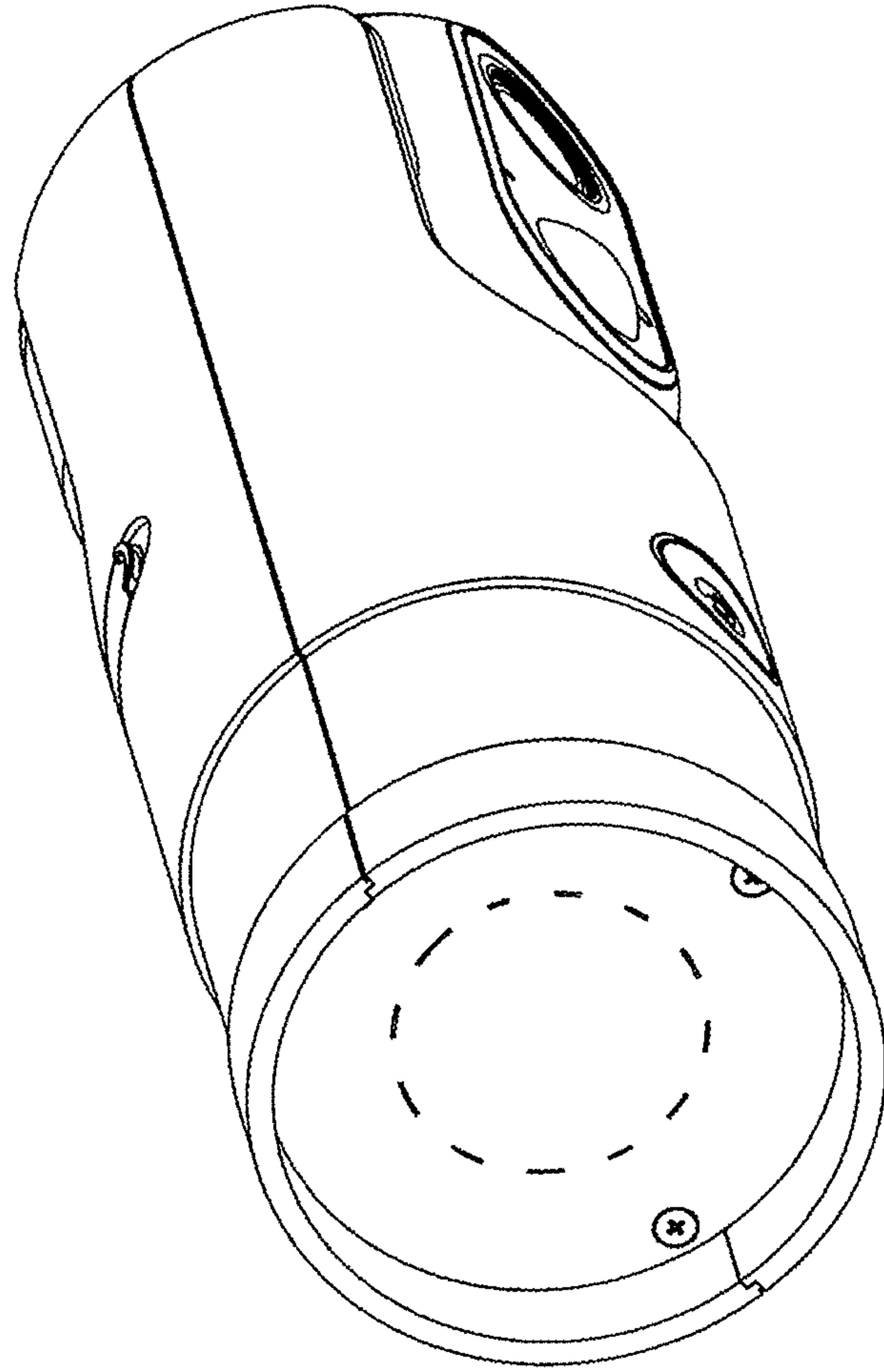
**FIG. 10**



**FIG. 11**

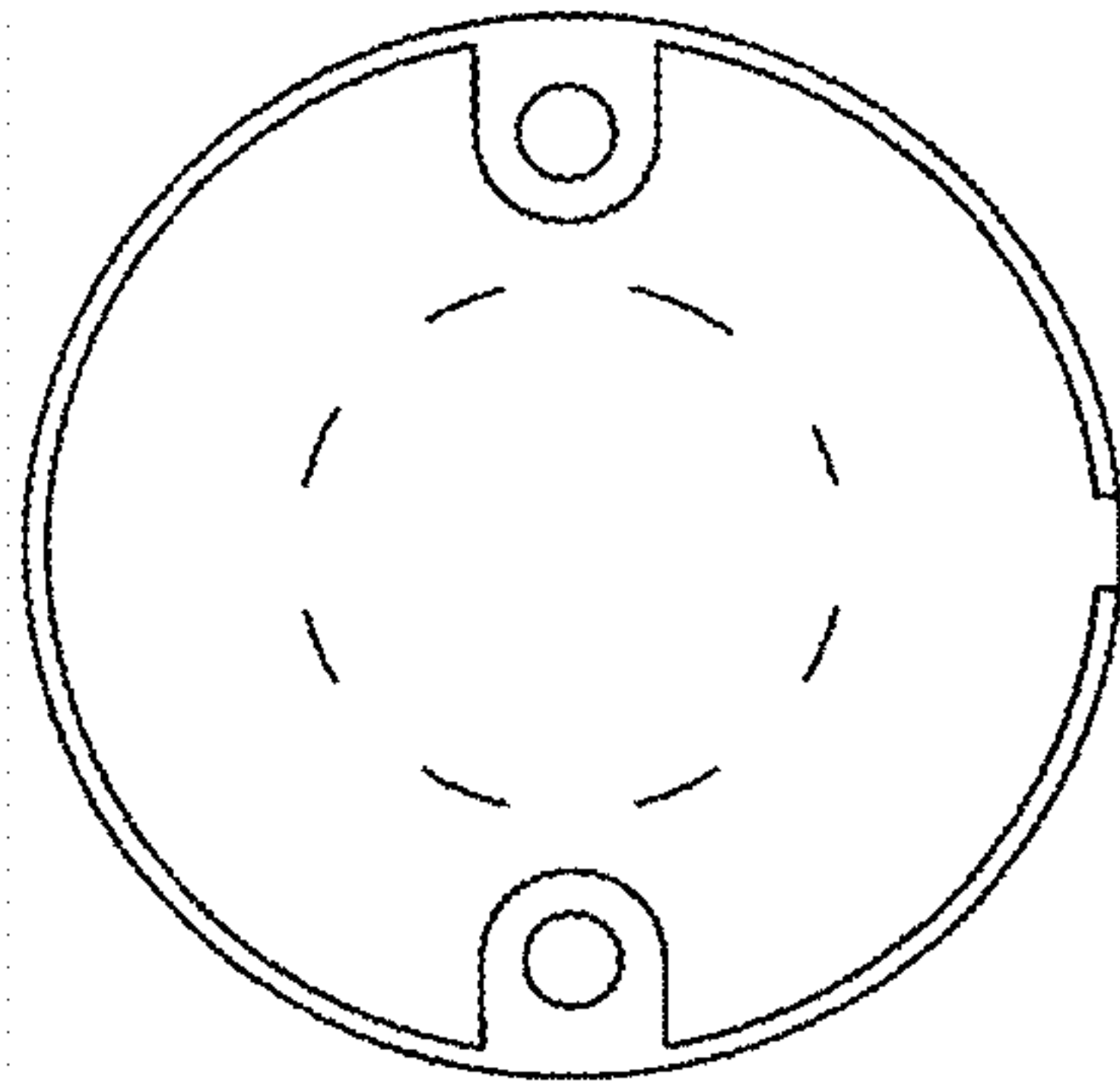


**FIG. 12**

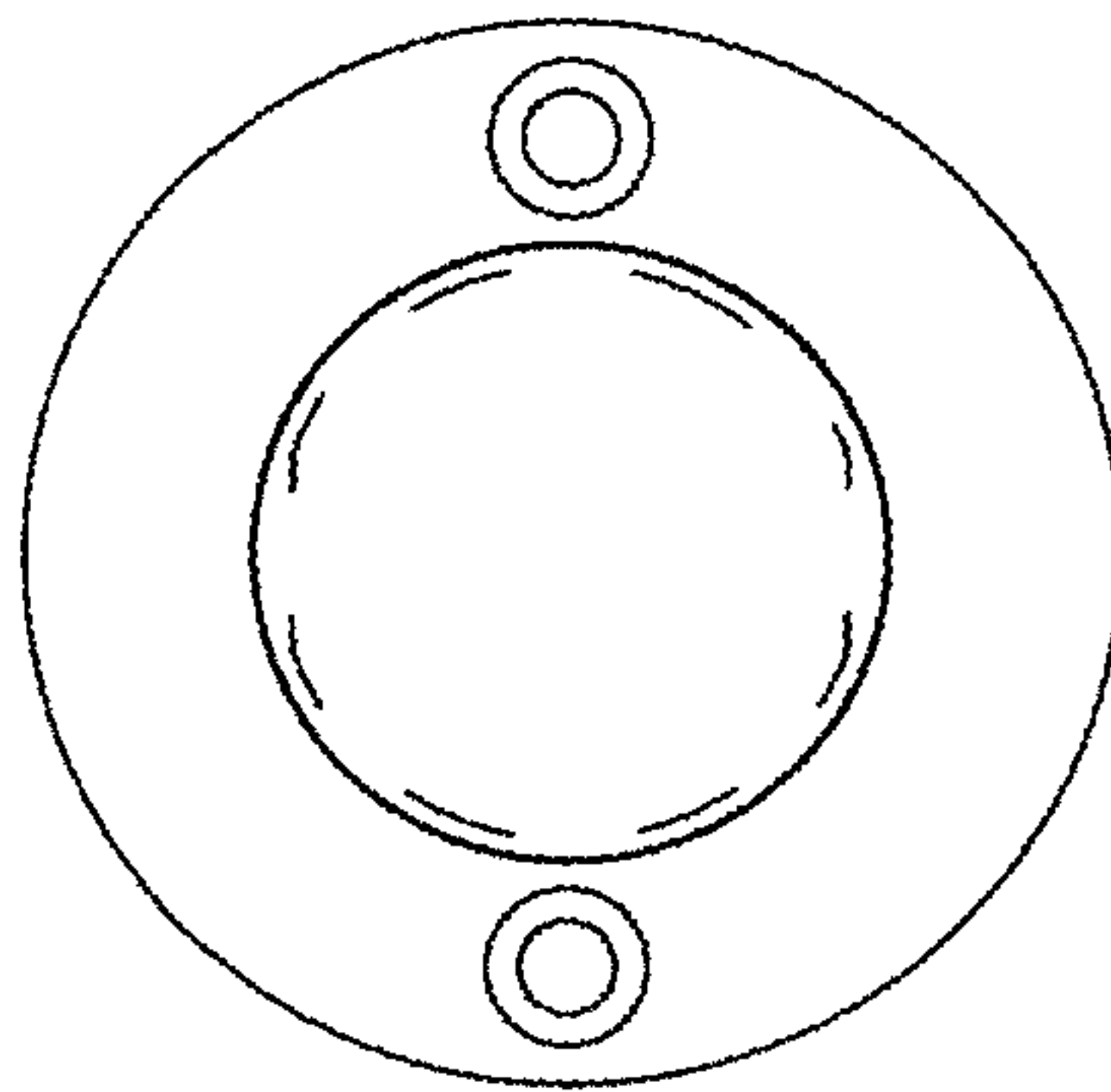


**FIG. 13**





**FIG. 14**



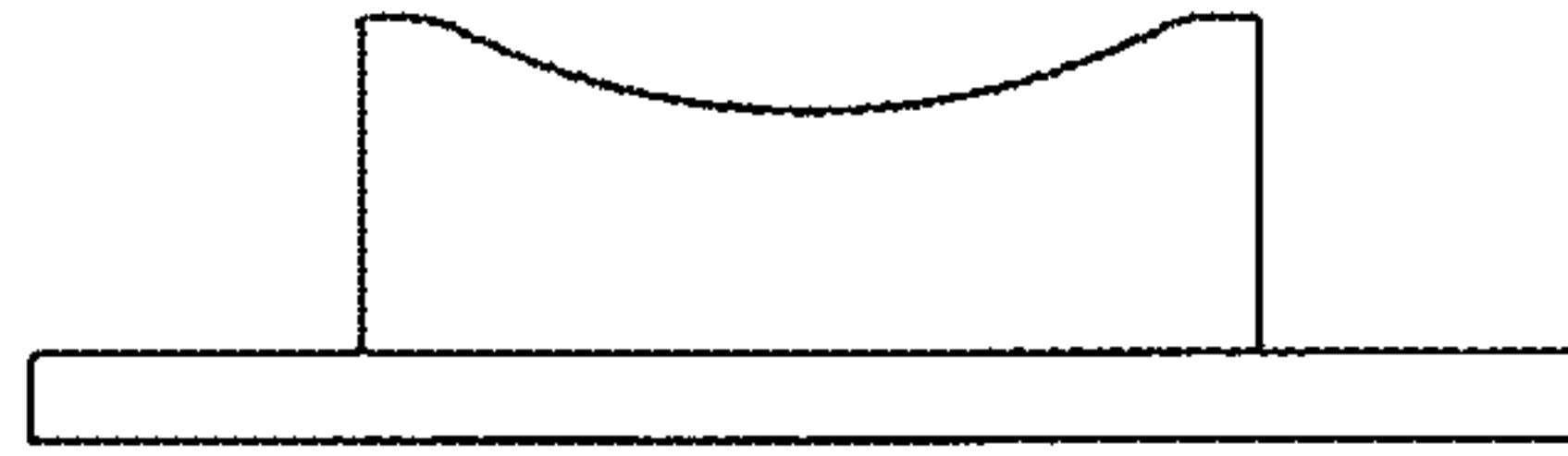
**FIG. 15**



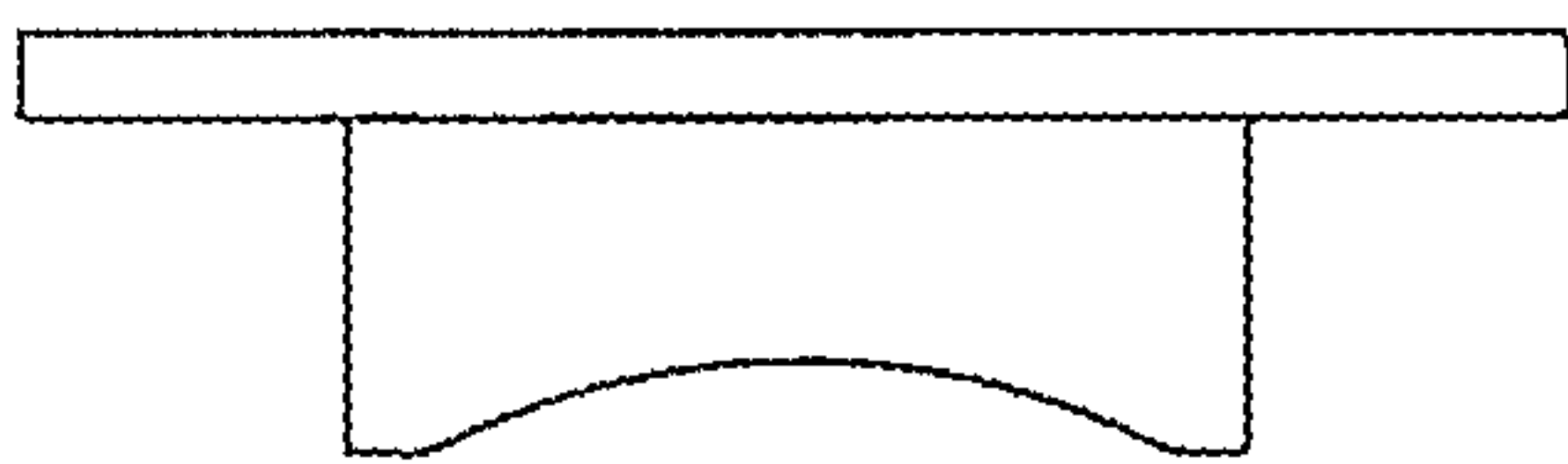
**FIG. 16**



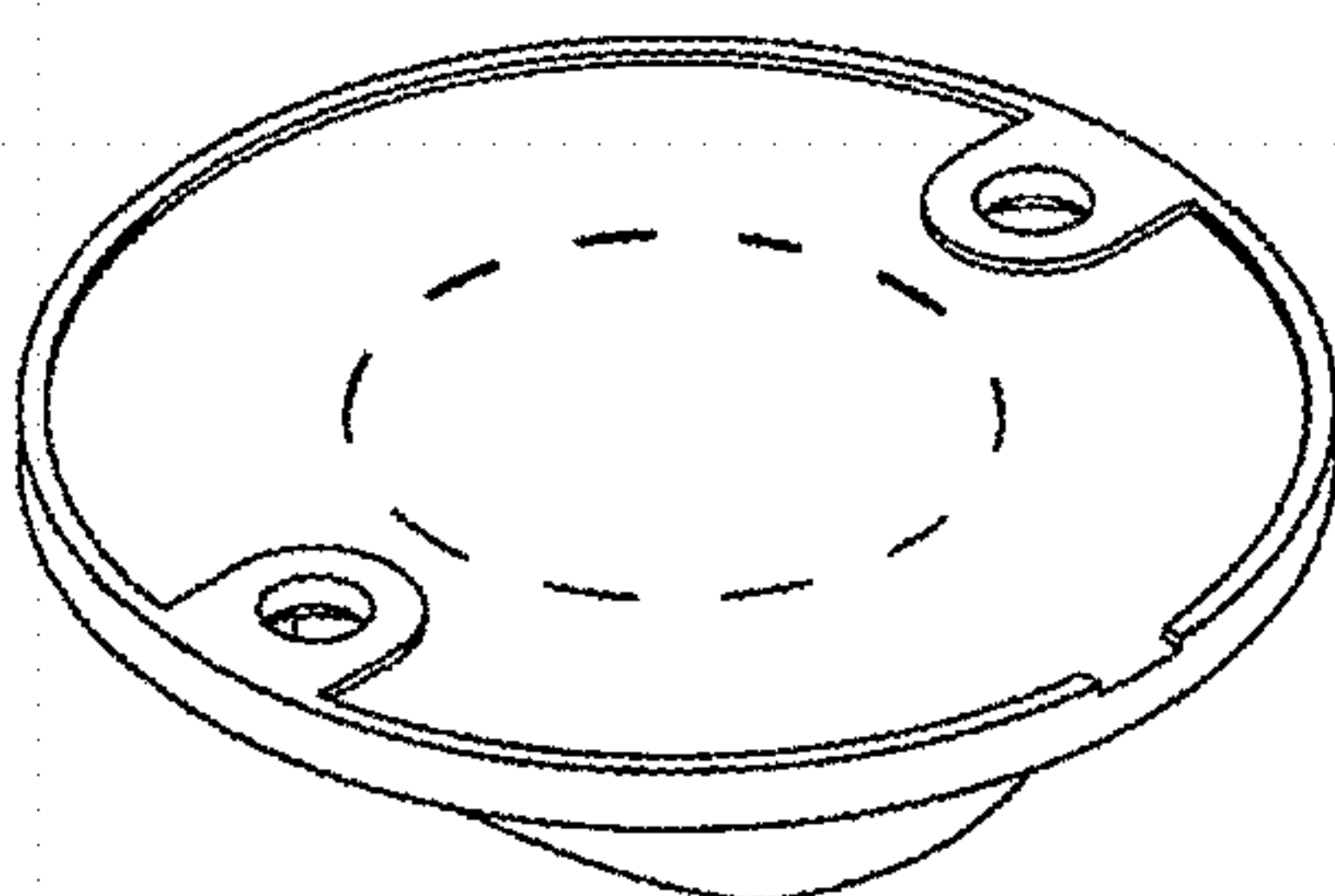
**FIG. 17**



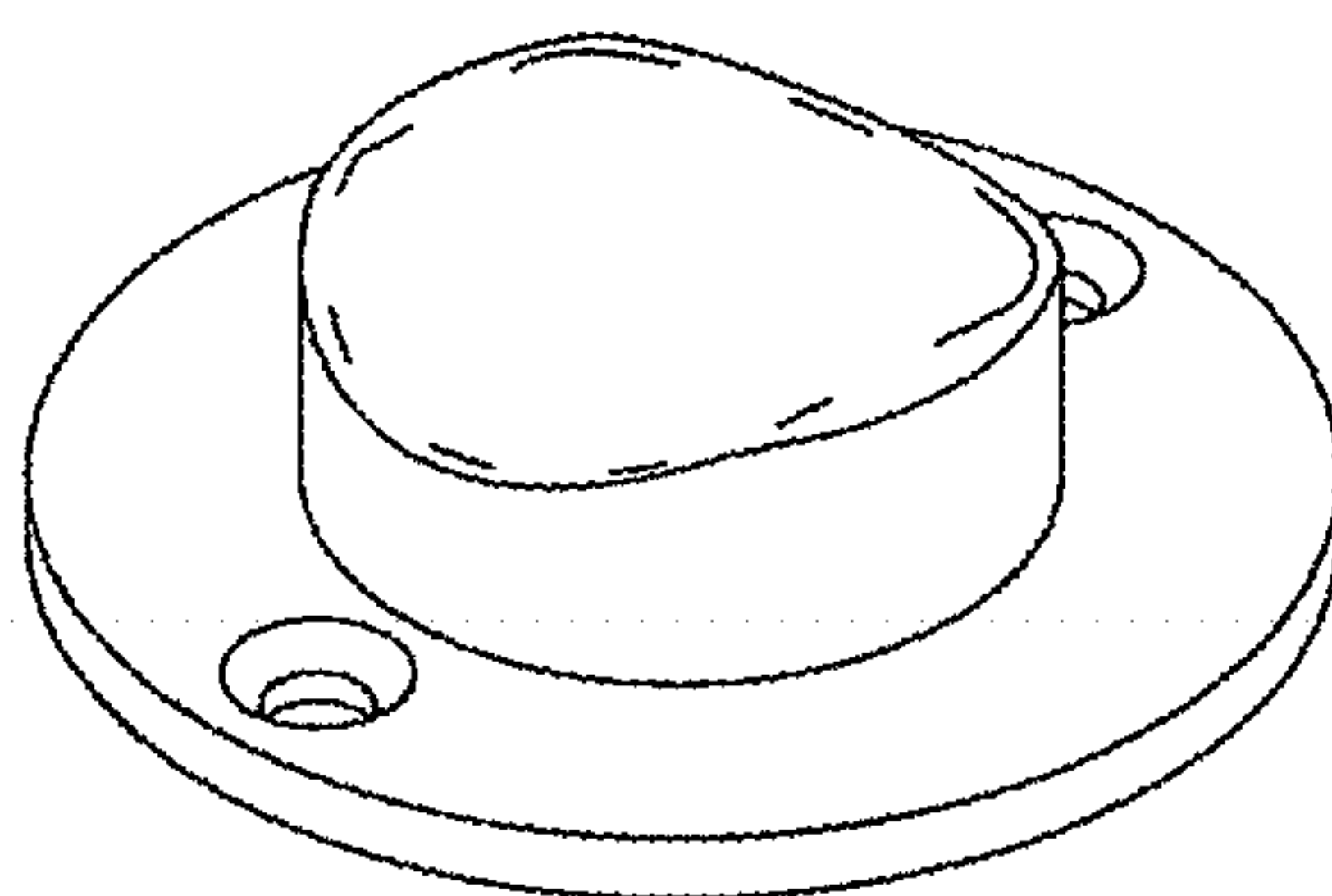
**FIG. 18**



**FIG. 19**



**FIG. 20**



**FIG. 21**