



US00D888793S

(12) **United States Design Patent**
Du et al.

(10) **Patent No.:** **US D888,793 S**
(45) **Date of Patent:** **** Jun. 30, 2020**

- (54) **SURVEILLANCE CAMERA**
- (71) Applicant: **Honeywell International Inc.,**
Morristown, NJ (US)
- (72) Inventors: **Cui Du**, Shanghai (CN); **Dezhi Yang**,
Shanghai (CN); **Erica Lin**, Shanghai
(CN); **Junwei Geng**, Shanghai (CN)
- (73) Assignee: **Honeywell International Inc.,**
Morristown, NJ (US)
- (**) Term: **15 Years**
- (21) Appl. No.: **29/629,067**
- (22) Filed: **Dec. 11, 2017**
- (51) **LOC (12) Cl.** **16-01**
- (52) **U.S. Cl.**
USPC **D16/203**
- (58) **Field of Classification Search**
USPC D16/200–220, 131, 237, 242, 239, 250,
D16/235, 130, 134, 136, 238;
D14/138 C, 240, 248, 203.1, 203.3, 203.7,
D14/218; D10/104.1, 50, 65, 74, 70,
D10/118.2
CPC ... G02B 7/02; G02B 7/04; G02B 7/14; G02B
3/14; G03B 17/00; G03B 17/02; G03B
17/56; G03B 17/04; G03B 17/14; G03B
15/03; G03B 9/08; H04N 5/2251; H04N
5/2252; H04N 5/2253; H04N 5/2254;
H04N 7/00; H04N 2101/00; F16M 13/00
See application file for complete search history.

- D497,927 S * 11/2004 Arbuckle D16/203
- D499,126 S * 11/2004 Kato D16/203
- D507,804 S * 7/2005 Nagai D16/203
- D508,710 S * 8/2005 Nagai D16/203
- D508,934 S * 8/2005 Nagai D16/203
- D556,236 S * 11/2007 Kim D16/202
- D576,195 S * 9/2008 Grotto D16/203
- D576,196 S * 9/2008 Grotto D16/203
- D584,756 S * 1/2009 Yamakawa D16/203
- D633,931 S * 3/2011 Ham D16/203
- D653,687 S * 2/2012 Yu D16/200

(Continued)

OTHER PUBLICATIONS

Maxpro VMS and NVRs, published Oct. 30, 2017 [online], [retrieved Jun. 20, 2019], Available from Internet, URL: https://www.securityinfowatch.com/video-surveillance/cameras/product/12377807/honeywell-honeywell-expands-equip-series-camera-line-updates-maxpro-vms-and-nvrs.*

(Continued)

Primary Examiner — T Chase Nelson
Assistant Examiner — Mary Claire Ramirez
(74) *Attorney, Agent, or Firm* — Seager, Tufte & Wickhem, LLP

(57) **CLAIM**

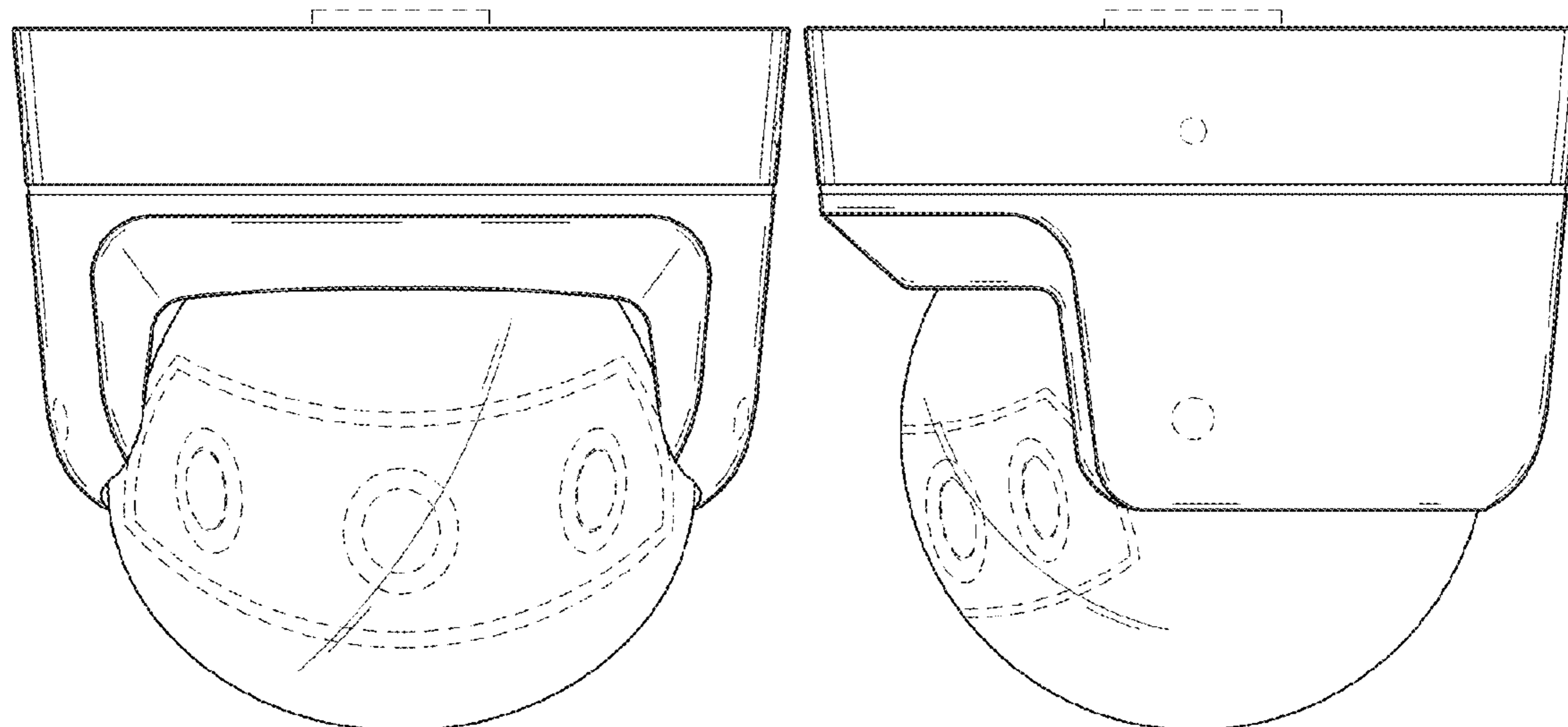
The ornamental design for a surveillance camera, as shown and described.

DESCRIPTION

FIG. 1 is a perspective view of a surveillance camera showing the new design.
FIG. 2 is a front elevation view thereof.
FIG. 3 is a rear elevation view thereof.
FIG. 4 is a right side elevation view thereof, the opposing left side being a mirror-image thereof; and,
FIG. 5 is a bottom plan view thereof.
The broken lines in the drawings depict subject matter of the surveillance camera that forms no part of the claimed design.

1 Claim, 3 Drawing Sheets

- (56) **References Cited**
U.S. PATENT DOCUMENTS
D325,212 S * 4/1992 Elberbaum D16/219
D399,517 S * 10/1998 Hasegawa
D412,924 S * 8/1999 Hiraguchi D16/203
D416,273 S * 11/1999 Yamakawa D16/203
D424,087 S * 5/2000 Frick 396/427
D452,696 S * 1/2002 Fenton D16/203



(56)

References Cited

U.S. PATENT DOCUMENTS

D668,701 S * 10/2012 Ohno D16/203
 D694,798 S 12/2013 Deurwaarder
 D708,654 S * 7/2014 Tani D16/203
 D723,395 S * 3/2015 Dispenza D10/53
 D737,698 S * 9/2015 Dispenza D10/53
 D809,048 S * 1/2018 Andersson D16/203
 D815,173 S * 4/2018 Hikima D16/203
 D819,108 S * 5/2018 Wu D16/203
 D829,262 S * 9/2018 Huerta D16/219
 D849,114 S * 5/2019 Jeong D16/219
 D861,058 S * 9/2019 Christensson D16/203
 D861,762 S * 10/2019 Gan D16/203
 D870,181 S * 12/2019 Geng D16/203
 D870,792 S * 12/2019 Lundblad D16/203
 D871,485 S * 12/2019 Walter D16/203
 D874,533 S * 2/2020 Park D16/203
 2006/0023113 A1 * 2/2006 Lin G08B 13/1963
 348/373
 2007/0274706 A1 * 11/2007 Cheng G03B 17/00
 396/427

2008/0024604 A1 * 1/2008 Menegotto G08B 13/19619
 348/143
 2009/0021634 A1 * 1/2009 Chang H04N 5/2252
 348/372
 2009/0175612 A1 * 7/2009 Wen G03B 15/03
 396/155
 2010/0060731 A1 * 3/2010 Lin G08B 13/19619
 348/143
 2011/0064403 A1 * 3/2011 Nakano G03B 17/02
 396/535
 2011/0115973 A1 * 5/2011 Tatewaki G03B 17/02
 348/373
 2013/0287385 A1 * 10/2013 Andersson H04N 5/2252
 396/427
 2018/0241915 A1 * 8/2018 Guan H04N 5/225
 2018/0356710 A1 * 12/2018 Bingleman G08B 13/19619

OTHER PUBLICATIONS

MPX HD 1080p PTZ Camera with Color Night Vision | Lorex, <https://www.lorextechnology.com/site/LZV2622BW-1-p>, accessed electronically on Sep. 21, 2017.

* cited by examiner

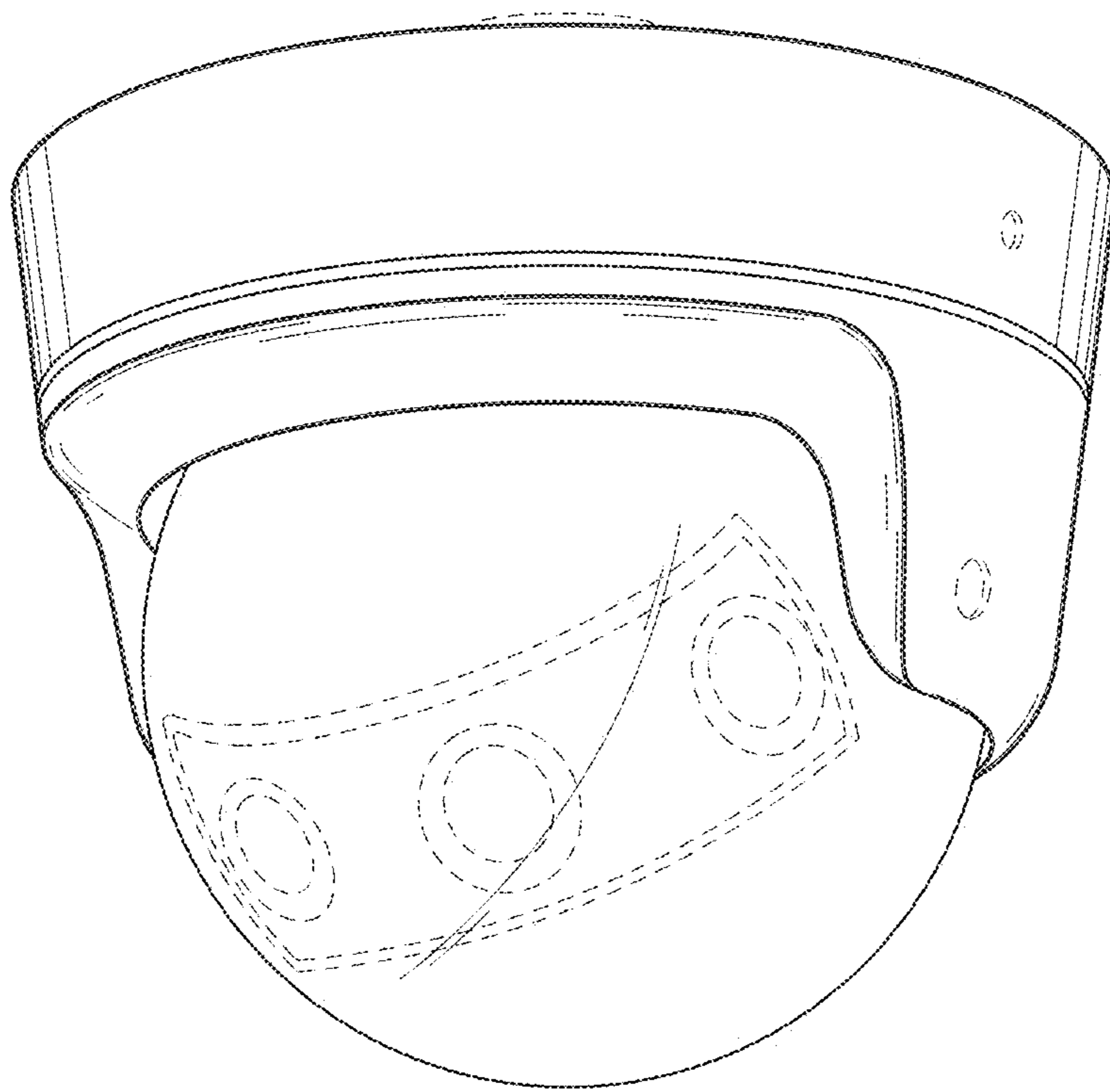


FIG. 1

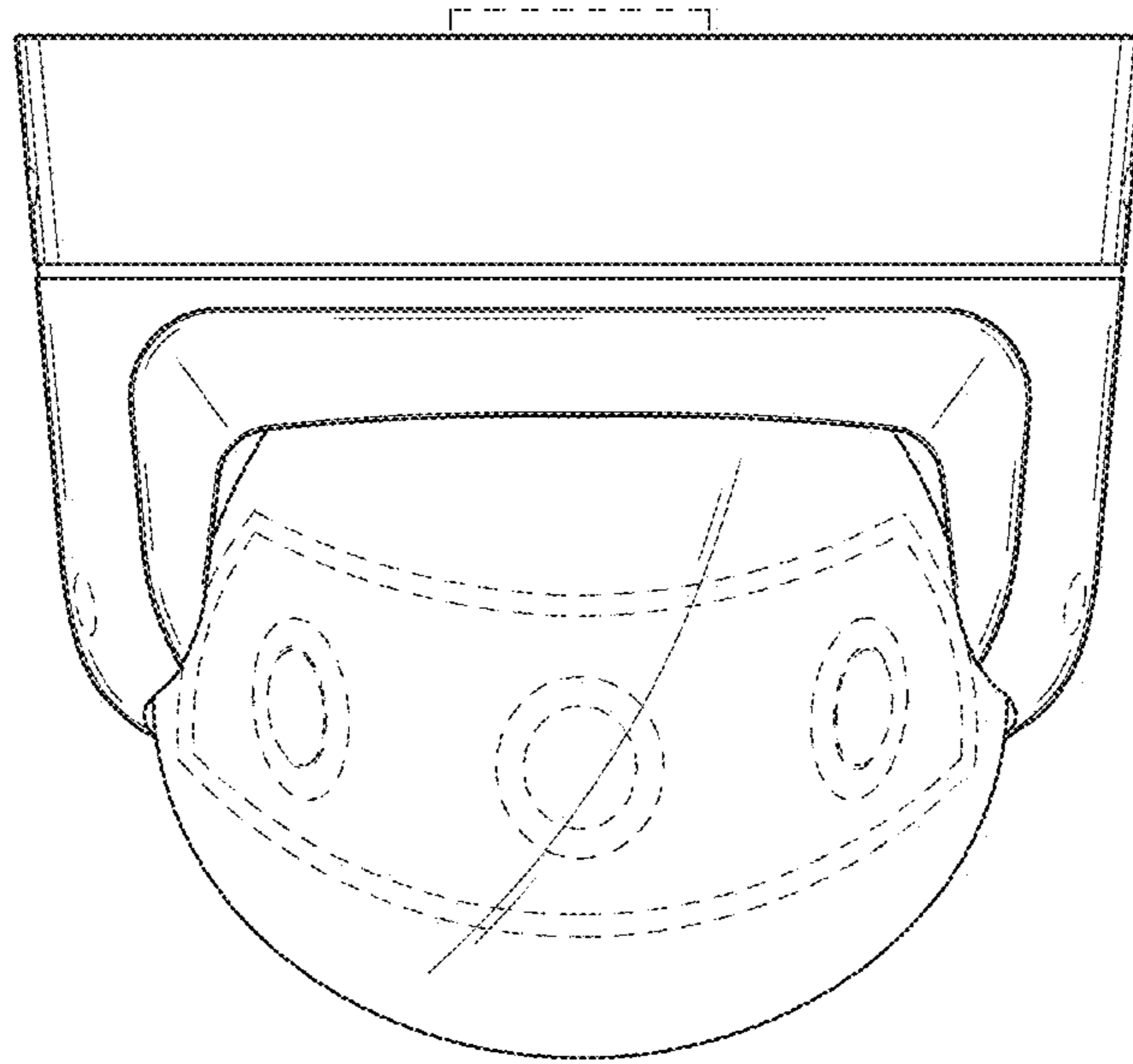


FIG. 2

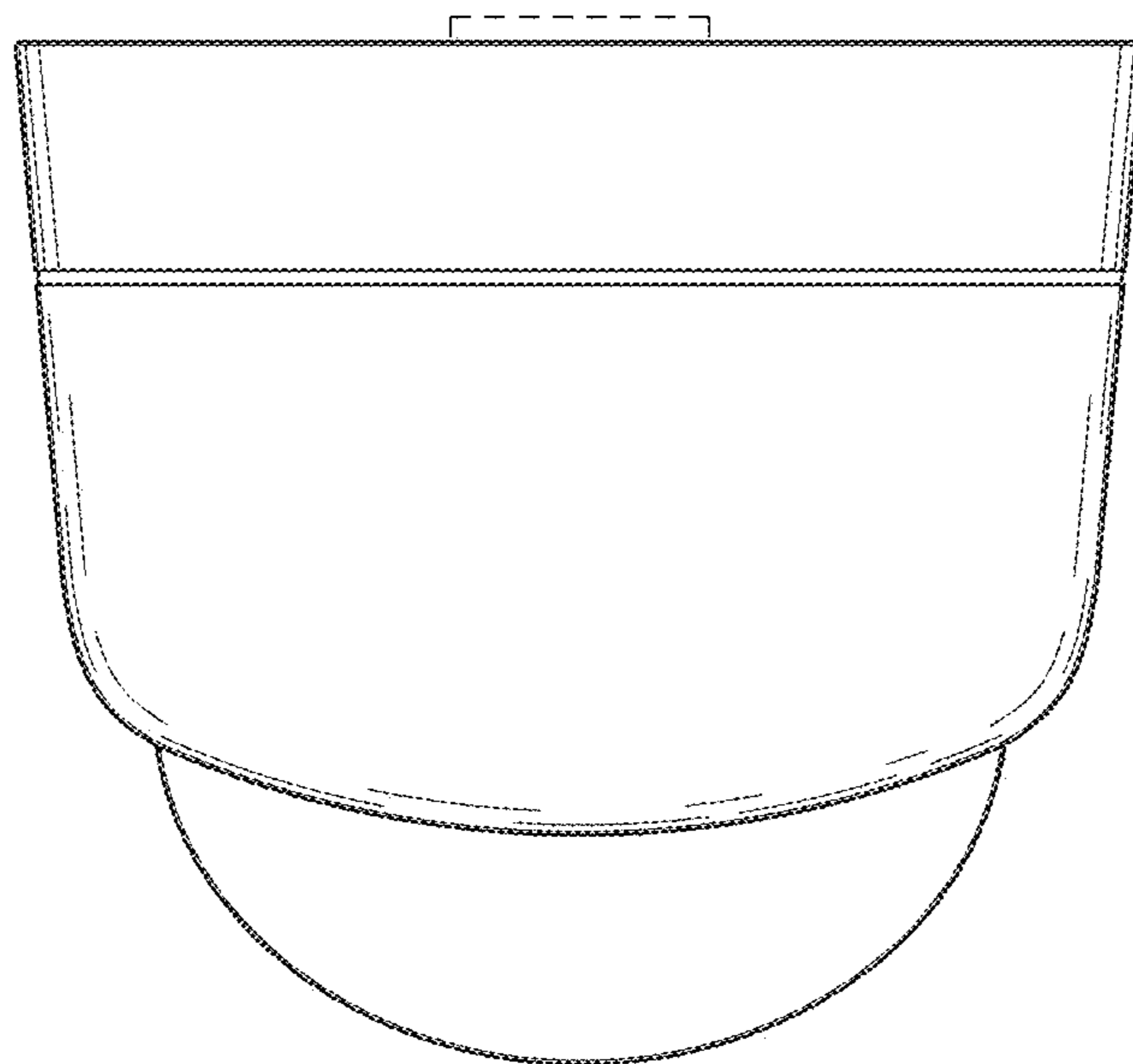


FIG. 3

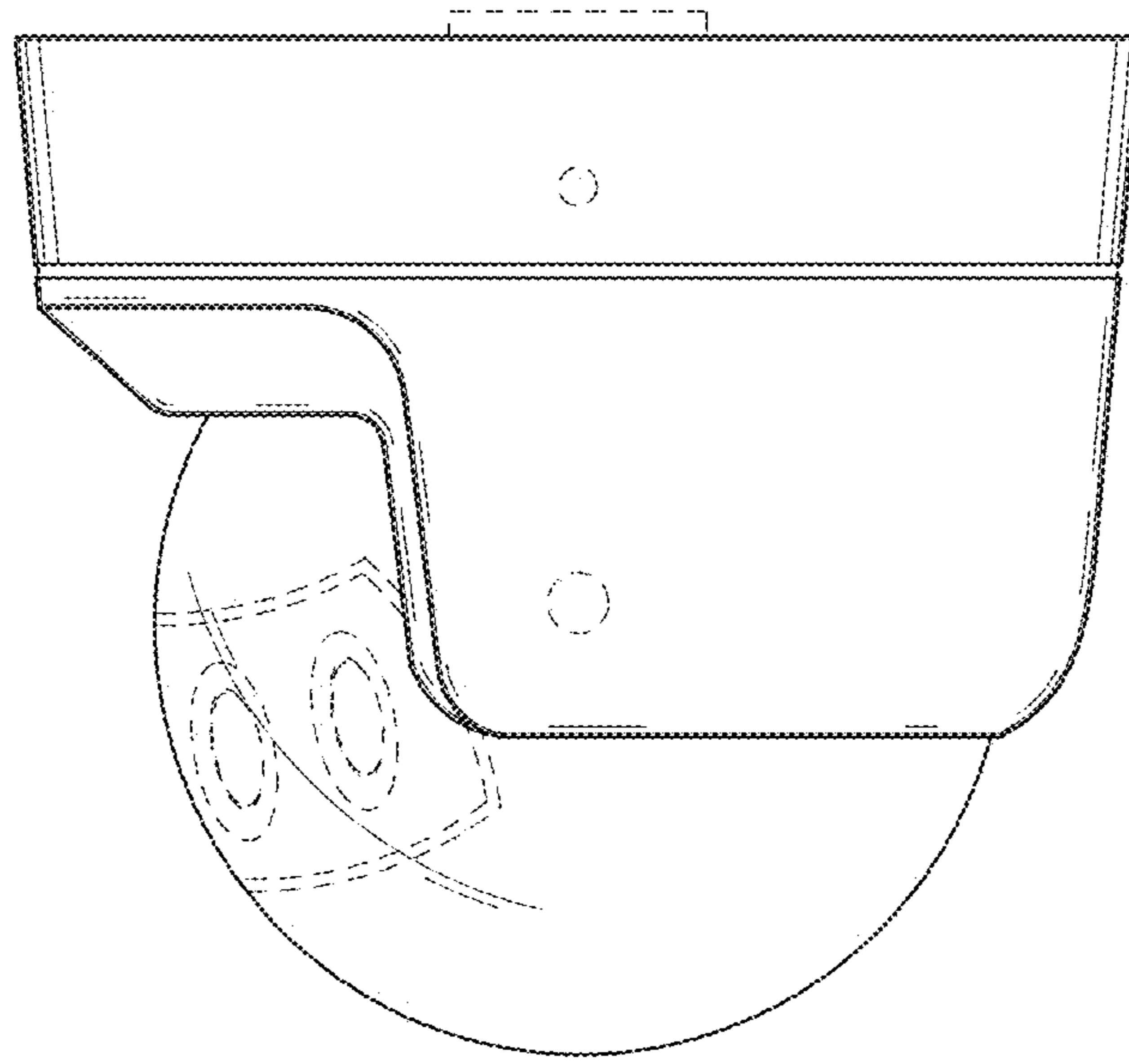


FIG. 4

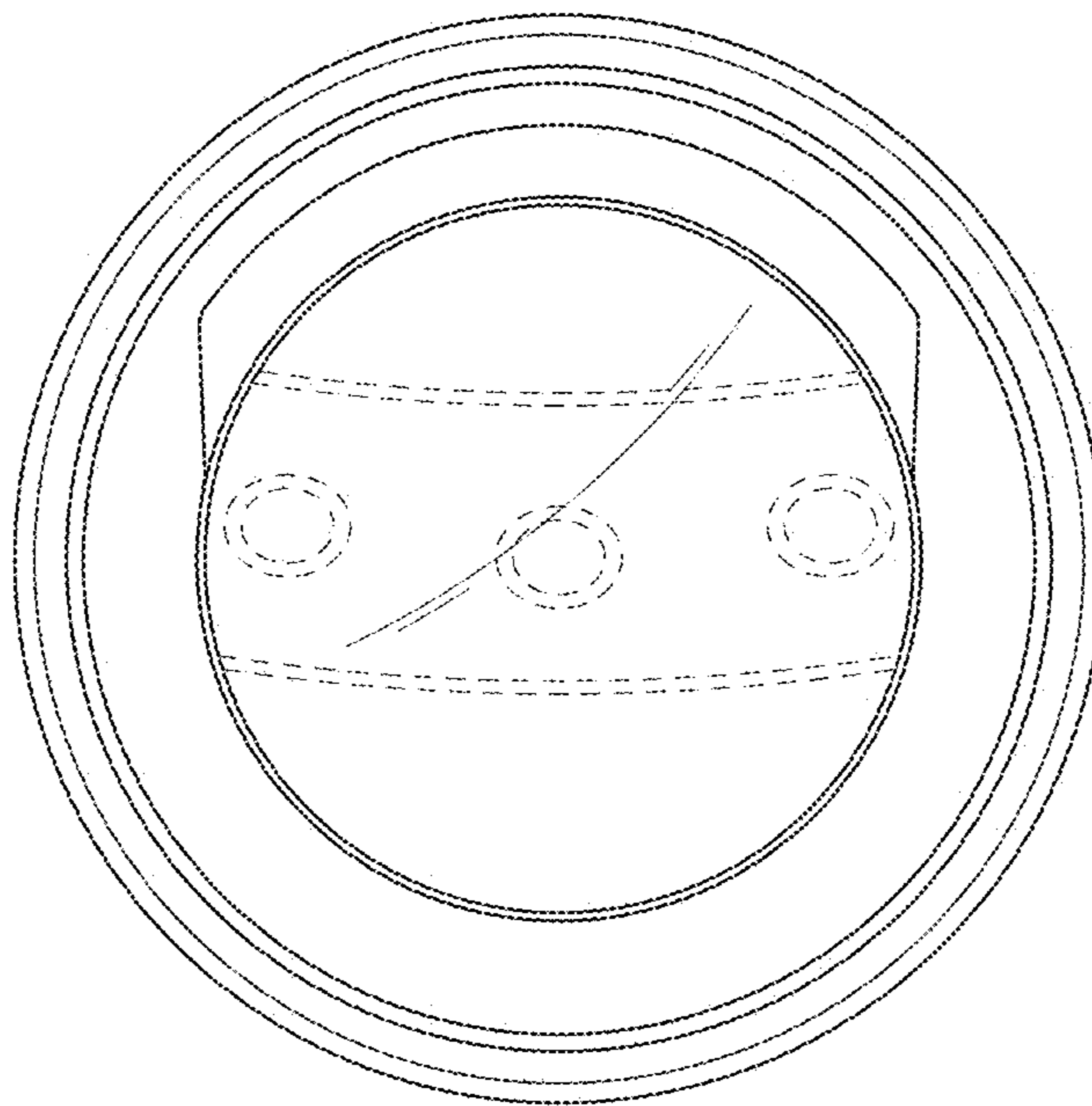


FIG. 5