



US00D888792S

(12) **United States Design Patent** (10) **Patent No.:** **US D888,792 S**
Luo (45) **Date of Patent:** **** *Jun. 30, 2020**

(54) **WATERPROOF CAMERA CASE**
(71) Applicant: **Apeman International Co., Ltd.**,
Shenzhen (CN)
(72) Inventor: **Tingyuan Luo**, Xinfeng (CN)
(73) Assignee: **Apeman International Co., Ltd.**,
Shenzhen (CN)
(*) Notice: This patent is subject to a terminal dis-
claimer.
(**) Term: **15 Years**
(21) Appl. No.: **29/611,093**
(22) Filed: **Jul. 18, 2017**
(51) **LOC (12) Cl.** **16-01**
(52) **U.S. Cl.**
USPC **D16/200**
(58) **Field of Classification Search**
USPC D16/200, 202-204, 208, 211, 218, 219,
D16/237, 242; D3/263, 267, 268;
248/176.1, 187.1; 348/81, 360, 373-376,
348/835; 396/25, 27-29, 419, 535,
396/539-541
CPC G03B 15/03; G03B 17/02; G03B 17/04;
G03B 17/08; G03B 17/56; G03B 19/04;
H04N 5/2251; H04N 5/2252; H04N
5/2253; H04N 5/2254; A45C 11/38
See application file for complete search history.

D702,747 S * 4/2014 Woodman D16/200
D710,921 S * 8/2014 Gioscia D16/200
D710,922 S * 8/2014 Gioscia D16/200
D725,169 S * 3/2015 Gioscia D16/200
D734,799 S * 7/2015 Woodman D16/200
D739,451 S * 9/2015 Gioscia D16/200
D750,146 S * 2/2016 Costa D16/200
D776,741 S * 1/2017 Parfitt D16/204
D804,560 S * 12/2017 Costa D16/200
D808,163 S * 1/2018 Song D3/269
2009/0317069 A1* 12/2009 Yim G03B 17/08
396/27

* cited by examiner

Primary Examiner — Ramzi S Almatrahi
(74) *Attorney, Agent, or Firm* — JiangIP LLC; Yanling
Jiang

(57) **CLAIM**

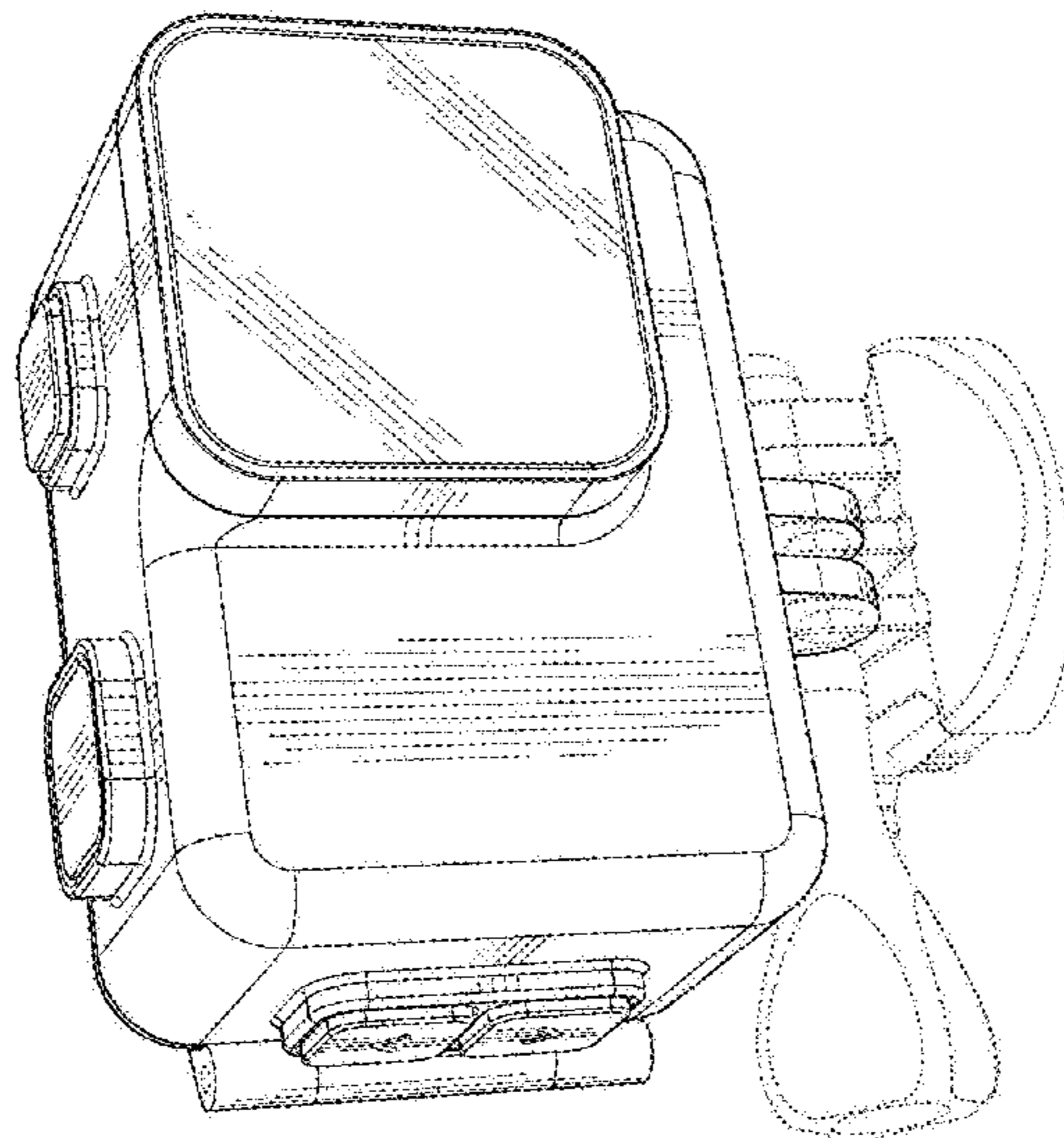
The ornamental design for a waterproof camera case, as
shown and described.

DESCRIPTION

FIG. 1 is a front elevation view of a waterproof camera case;
FIG. 2 is a top plan view thereof;
FIG. 3 is a bottom plan view thereof;
FIG. 4 is a side elevation view thereof;
FIG. 5 is an opposite side elevation view thereof;
FIG. 6 is a rear elevation view thereof; and,
FIG. 7 is a front perspective view thereof.
The broken lines depict portions of the waterproof camera
case in which the design is embodied that form no part of the
claimed design.

1 Claim, 7 Drawing Sheets

(56) **References Cited**
U.S. PATENT DOCUMENTS
8,014,656 B2 * 9/2011 Woodman B63B 25/002
396/25
D647,554 S * 10/2011 Yim D16/204



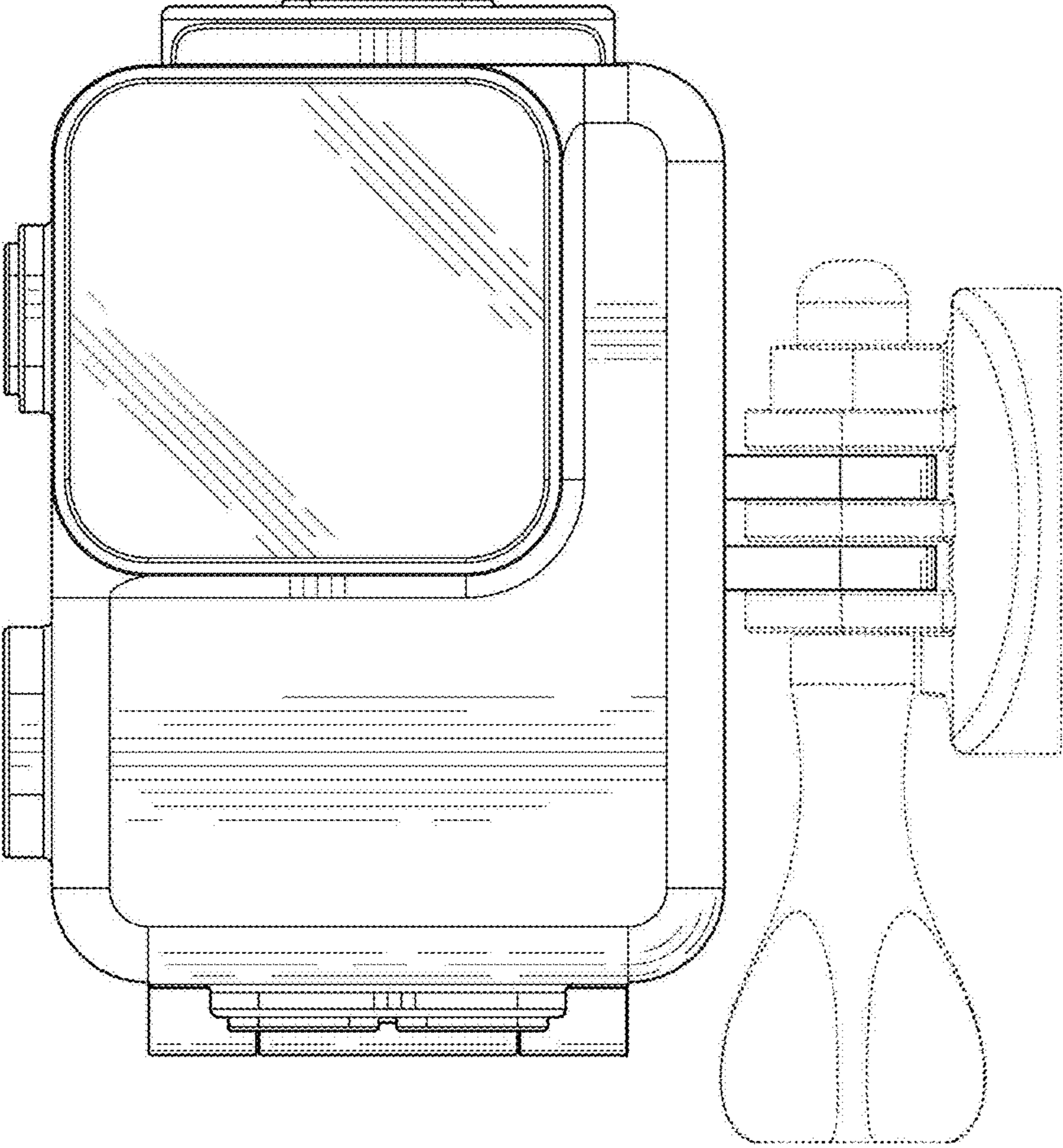


Fig. 1

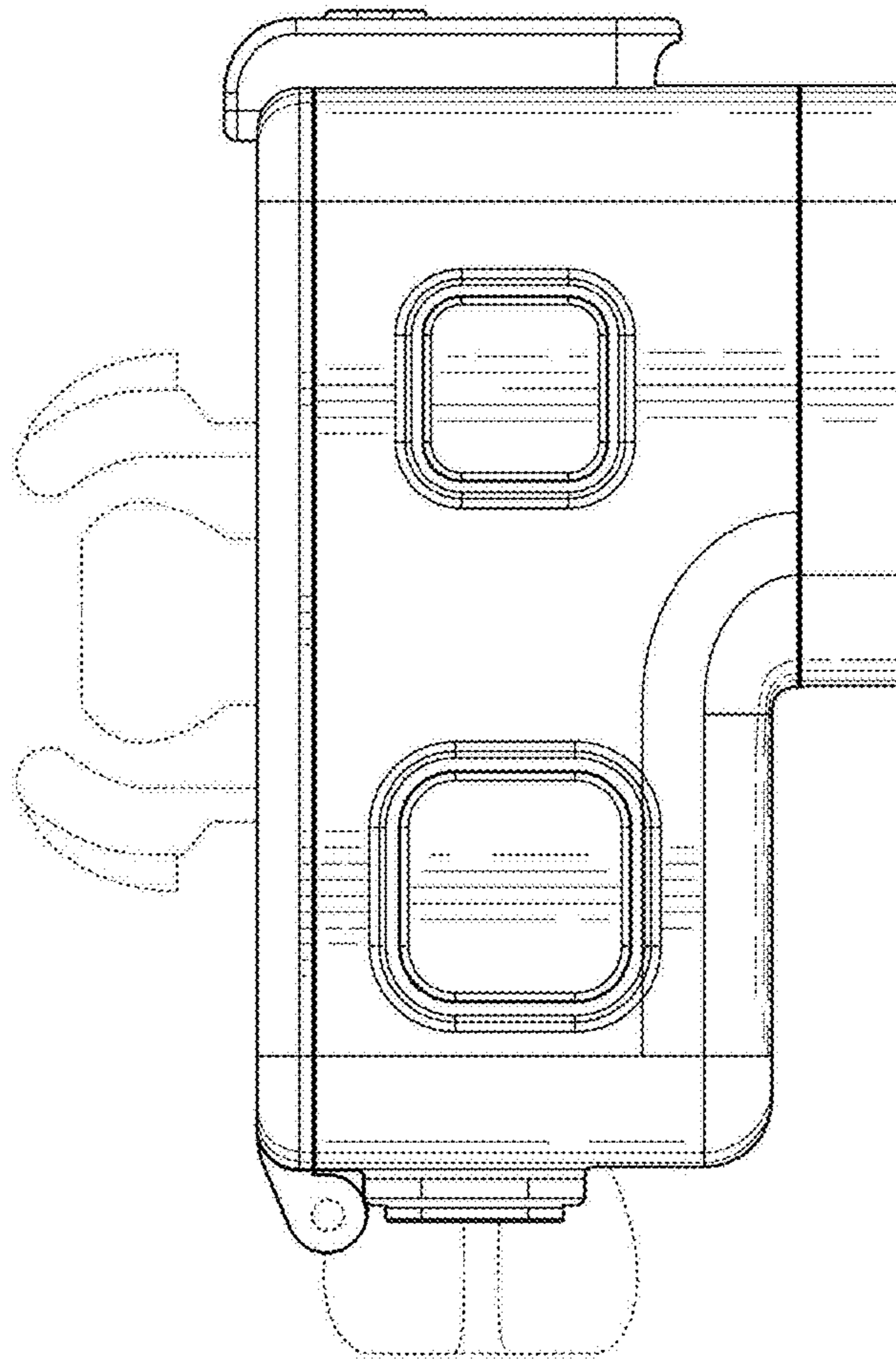


Fig. 2

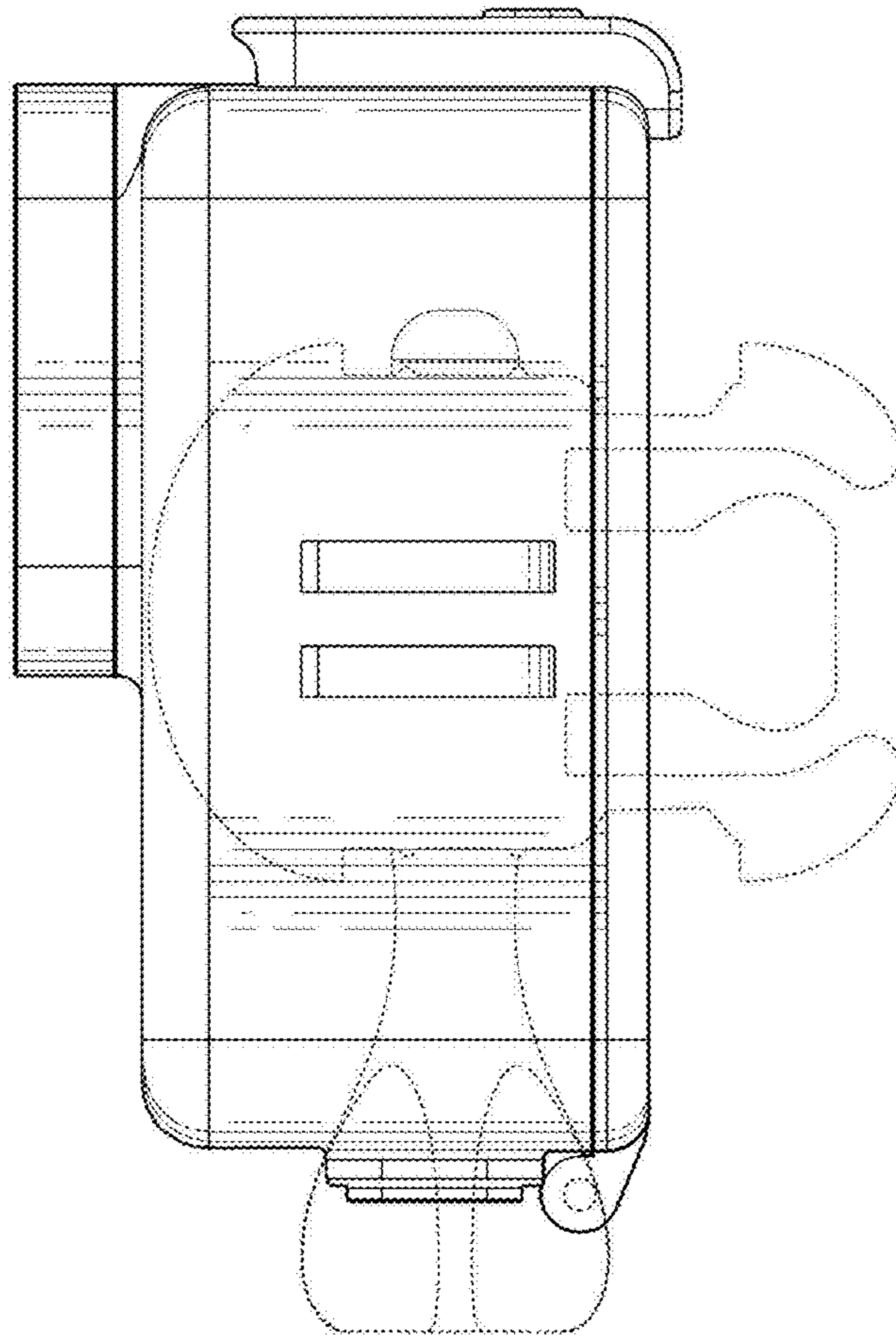


Fig. 3

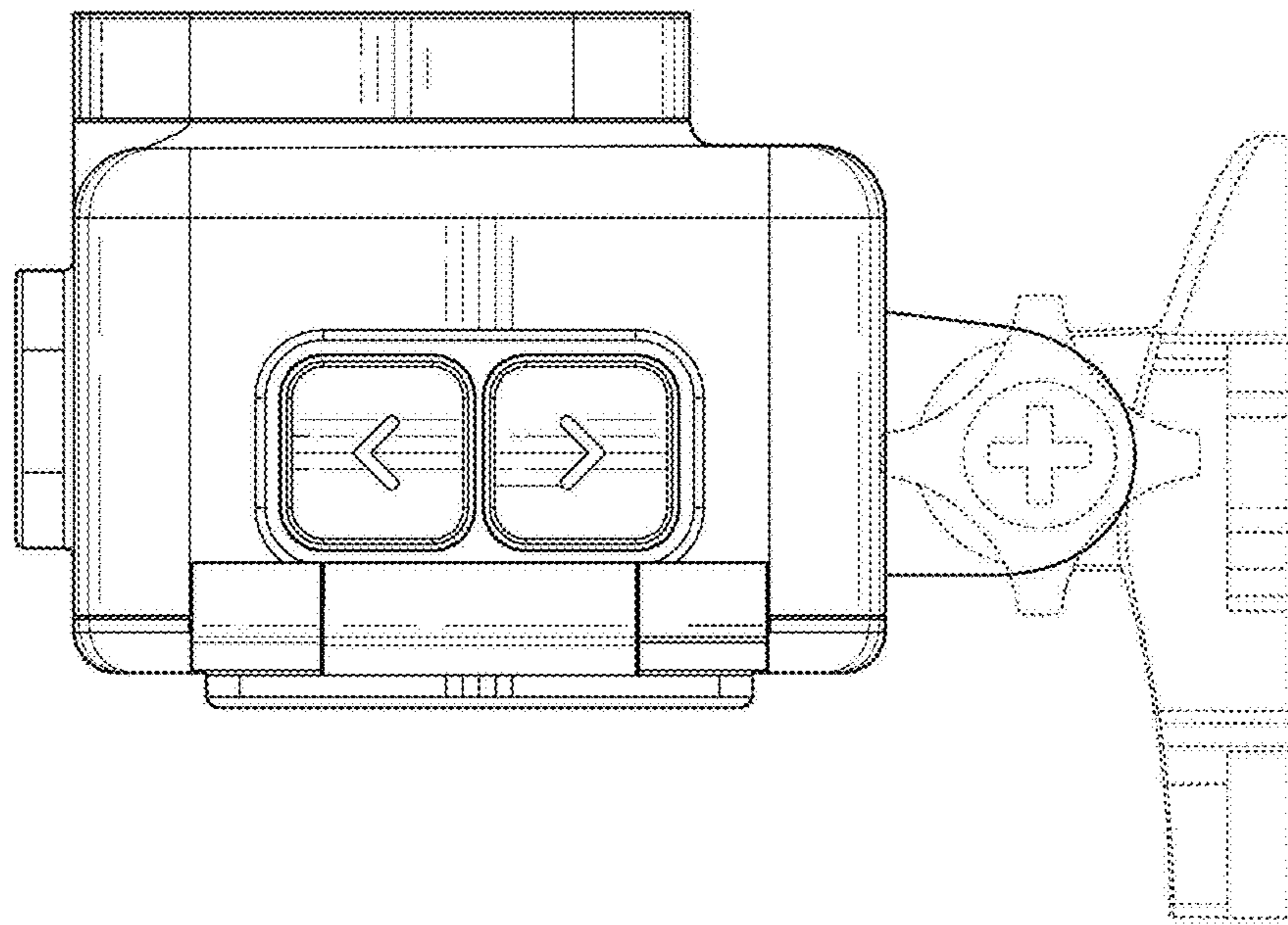


Fig. 4

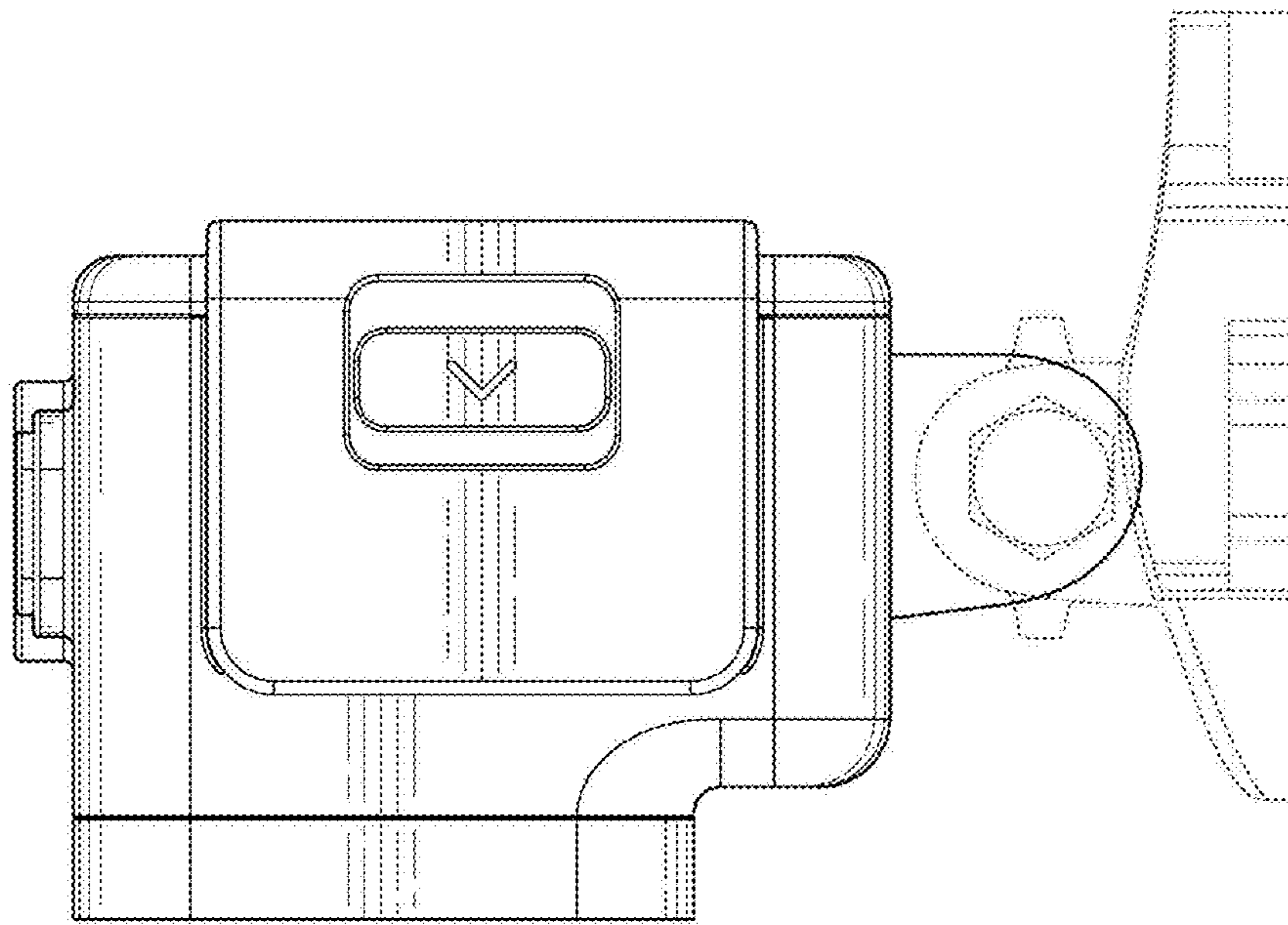


Fig. 5

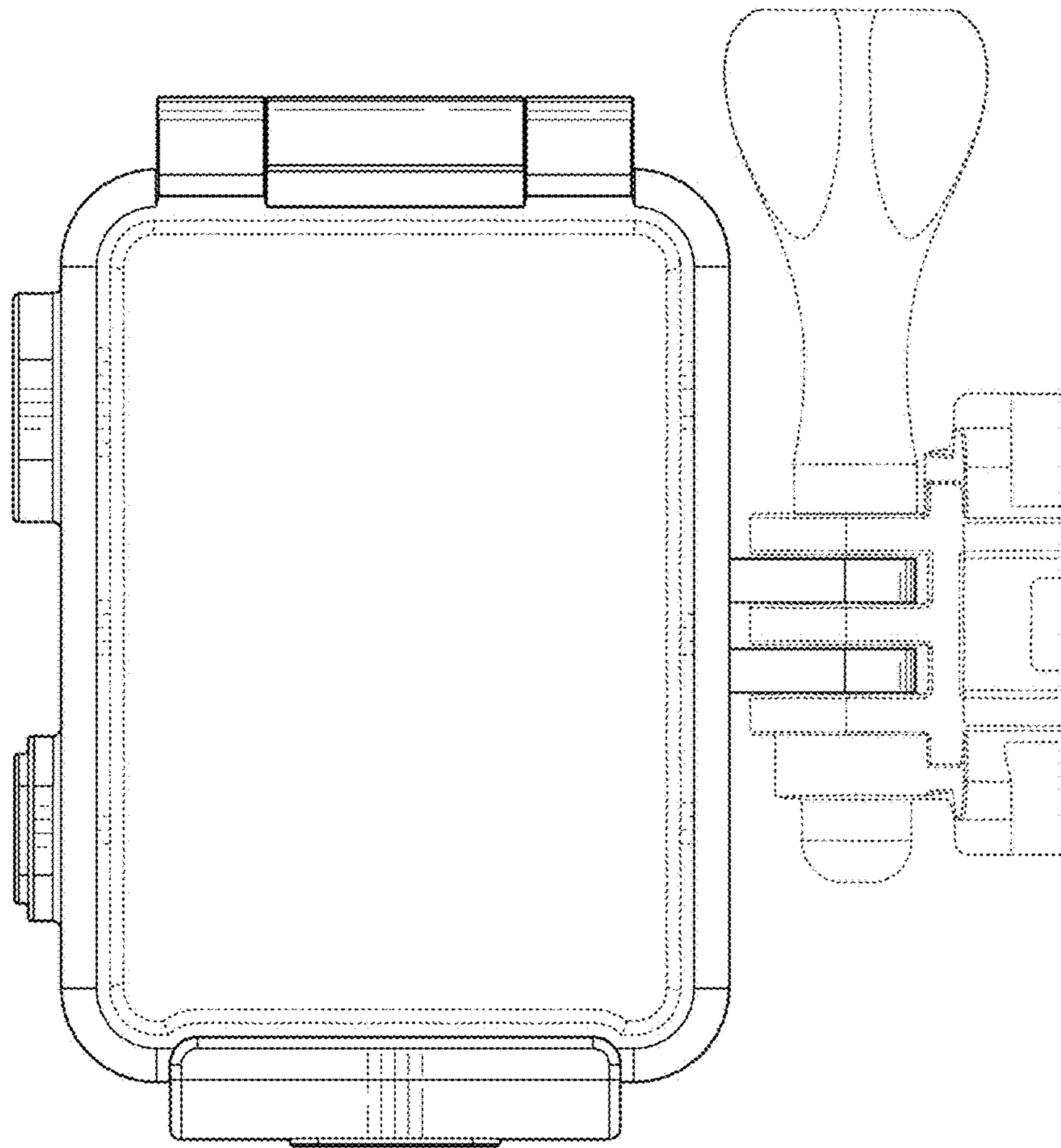


Fig. 6

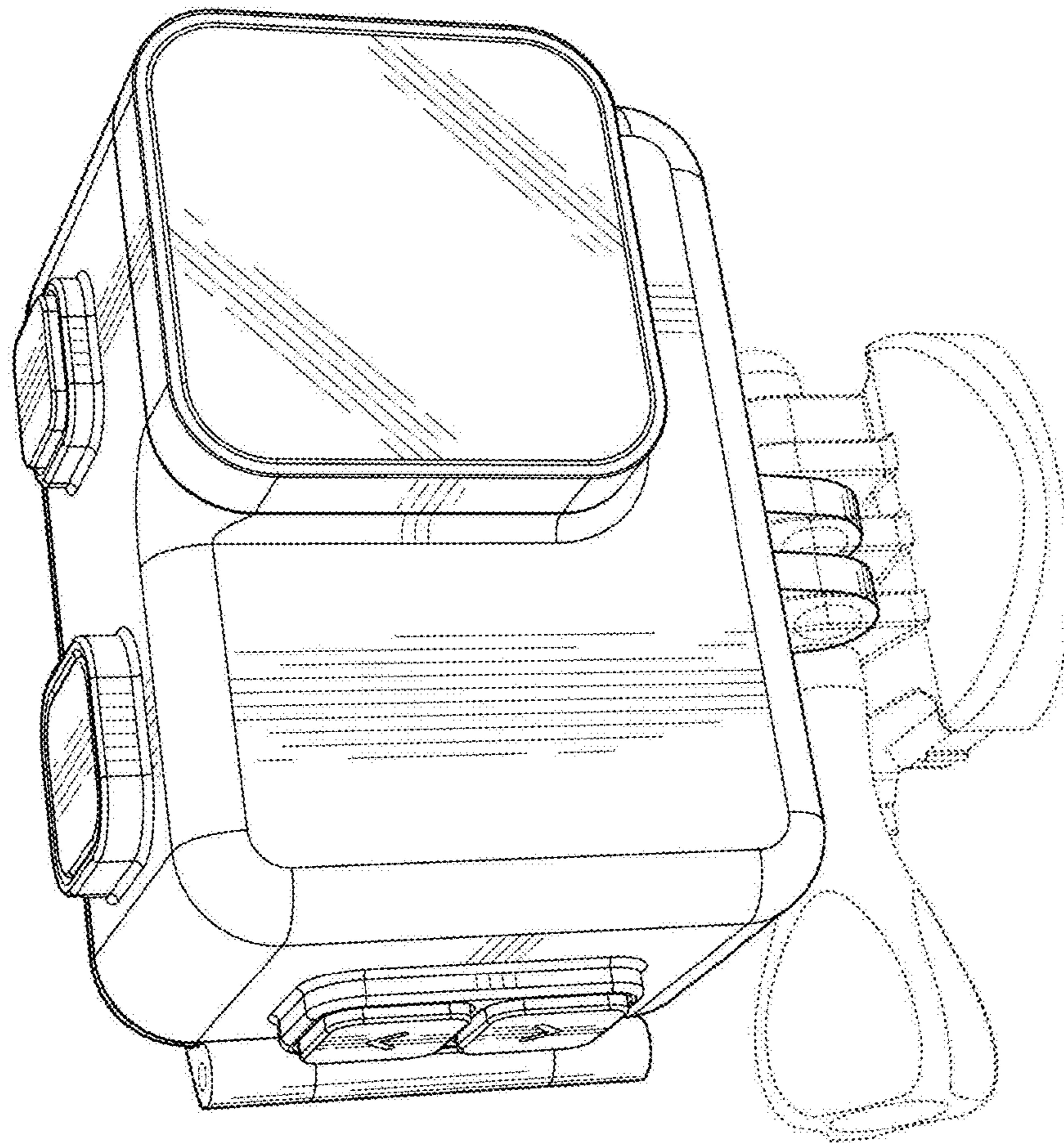


Fig. 7