



US00D888791S

(12) **United States Design Patent**
Wu et al.

(10) **Patent No.:** **US D888,791 S**
(45) **Date of Patent:** **** Jun. 30, 2020**

(54) **LOGISTIC VEHICLE**
(71) Applicant: **LINGDONG TECHNOLOGY (BEIJING) CO. LTD**, Beijing (CN)
(72) Inventors: **Yue Wu**, Beijing (CN); **Bohan Yao**, Beijing (CN)
(73) Assignee: **LINGDONG TECHNOLOGY (BEIJING) CO. LTD**, Beijing (CN)
(**) Term: **15 Years**
(21) Appl. No.: **29/695,693**
(22) Filed: **Jun. 21, 2019**

5,658,120 A * 8/1997 Watanabe B23Q 7/1436
414/495
D468,884 S * 1/2003 Ito D34/12
D712,447 S * 9/2014 He D15/199
D735,258 S * 7/2015 Jang D15/199
D743,647 S * 11/2015 Heck D32/21
D745,144 S * 12/2015 Aylmer D24/128
D759,623 S * 6/2016 Dahlberg D10/30
D810,799 S * 2/2018 Sokuza D15/199
D812,663 S * 3/2018 Waters D15/199
D819,711 S * 6/2018 Li D15/199
D822,736 S * 7/2018 Kato D15/199
D837,852 S * 1/2019 Nilsson D15/199
D837,855 S * 1/2019 Chen D15/199
D839,331 S * 1/2019 Nilsson D15/199
D841,067 S * 2/2019 Camporesi D15/199
D841,711 S * 2/2019 Liu D15/199
D843,428 S * 3/2019 Gee D15/199
D849,813 S * 5/2019 Sutherland D15/199

(30) **Foreign Application Priority Data**
Jan. 7, 2019 (CN) 2019 3 0007438
(51) **LOC (12) Cl.** **15-99**
(52) **U.S. Cl.**
USPC **D15/199**; D34/34
(58) **Field of Classification Search**
USPC D15/199; D21/578-583, 621, 622;
D32/21; D34/34
CPC B23K 9/133; B23K 9/287; B25J 9/0018;
B25J 19/0025; Y10T 74/20; Y10T
74/20207; Y10T 74/20311; Y10T
74/20305; Y10S 901/01
See application file for complete search history.

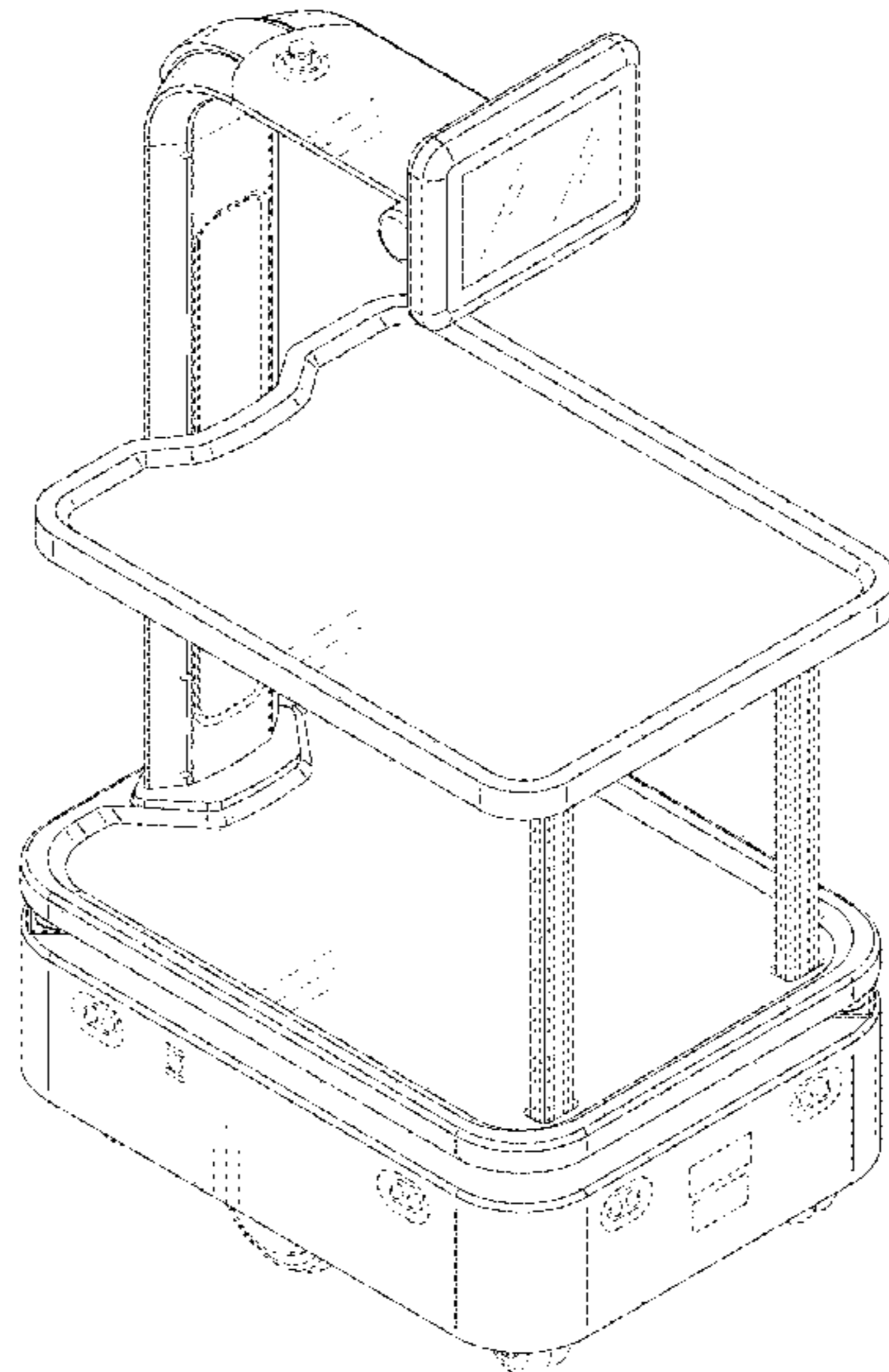
(56) **References Cited**
U.S. PATENT DOCUMENTS
4,137,984 A * 2/1979 Jennings B62D 1/28
180/168
4,496,274 A * 1/1985 Pipes B60L 15/2036
414/340
4,657,463 A * 4/1987 Pipes B62D 1/24
180/167
D295,105 S * 4/1988 Dawson D34/18

(Continued)
Primary Examiner — Patricia A Palasik
(74) *Attorney, Agent, or Firm* — Winston Hsu

(57) **CLAIM**
The ornamental design for a logistic vehicle, as shown and described.

DESCRIPTION
FIG. 1 is a top, front, and left side perspective view for a logistic vehicle showing our new design;
FIG. 2 is a bottom, rear, and right side perspective view thereof;
FIG. 3 is a front elevation view thereof;
FIG. 4 is a rear elevation view thereof;
FIG. 5 is a left side elevation view thereof;
FIG. 6 is a right side elevation view thereof;
FIG. 7 is a top plan view thereof; and,
FIG. 8 is a bottom plan view thereof.
The broken lines depict portions of the logistic vehicle that form no part of the claimed design.

1 Claim, 8 Drawing Sheets



(56)

References Cited

U.S. PATENT DOCUMENTS

D856,389	S *	8/2019	Gayne	D15/199
D857,073	S *	8/2019	Gayne	D15/199
D871,475	S *	12/2019	Kolb	D15/199
D871,476	S *	12/2019	Kolb	D15/199
D876,278	S *	2/2020	Sokuza	D12/16.1
2009/0035181	A1 *	2/2009	Chung	A61B 5/00 422/68.1
2011/0135189	A1 *	6/2011	Lee	B25J 9/1682 382/153
2014/0074287	A1 *	3/2014	LaFary	B25J 9/1676 700/253
2015/0088359	A1 *	3/2015	Choi	G05D 1/0225 701/23

* cited by examiner

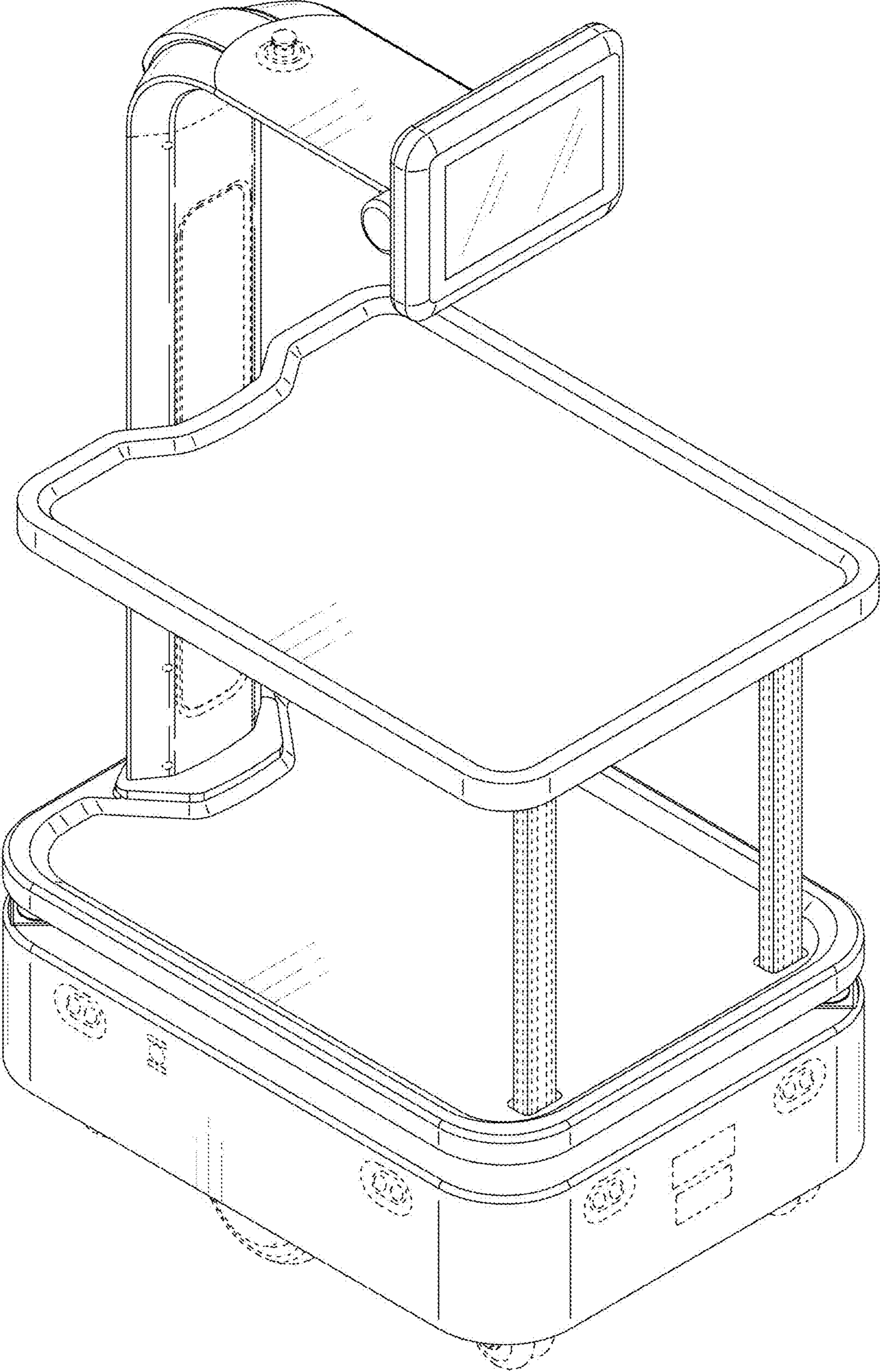


FIG. 1

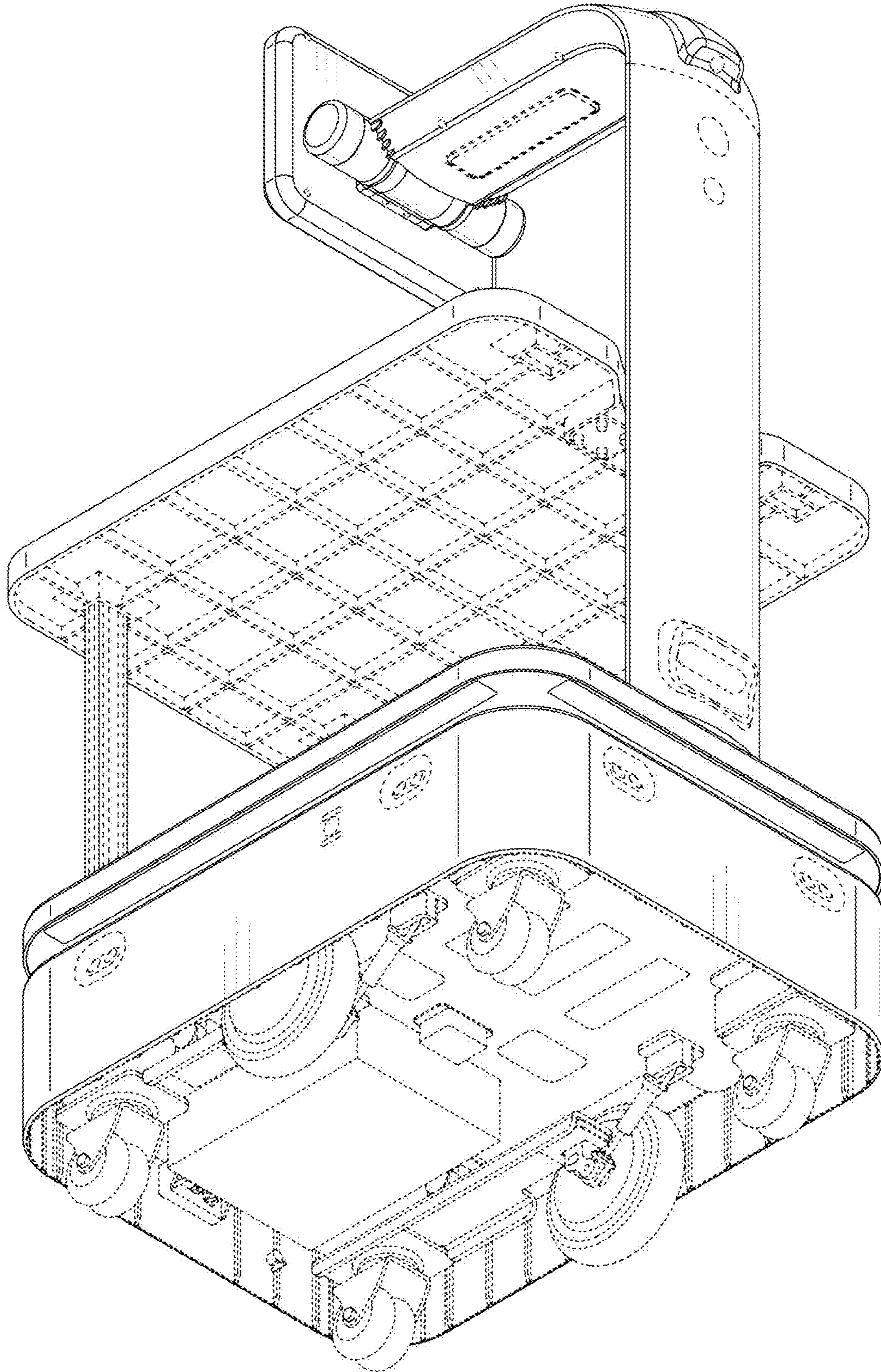


FIG. 2

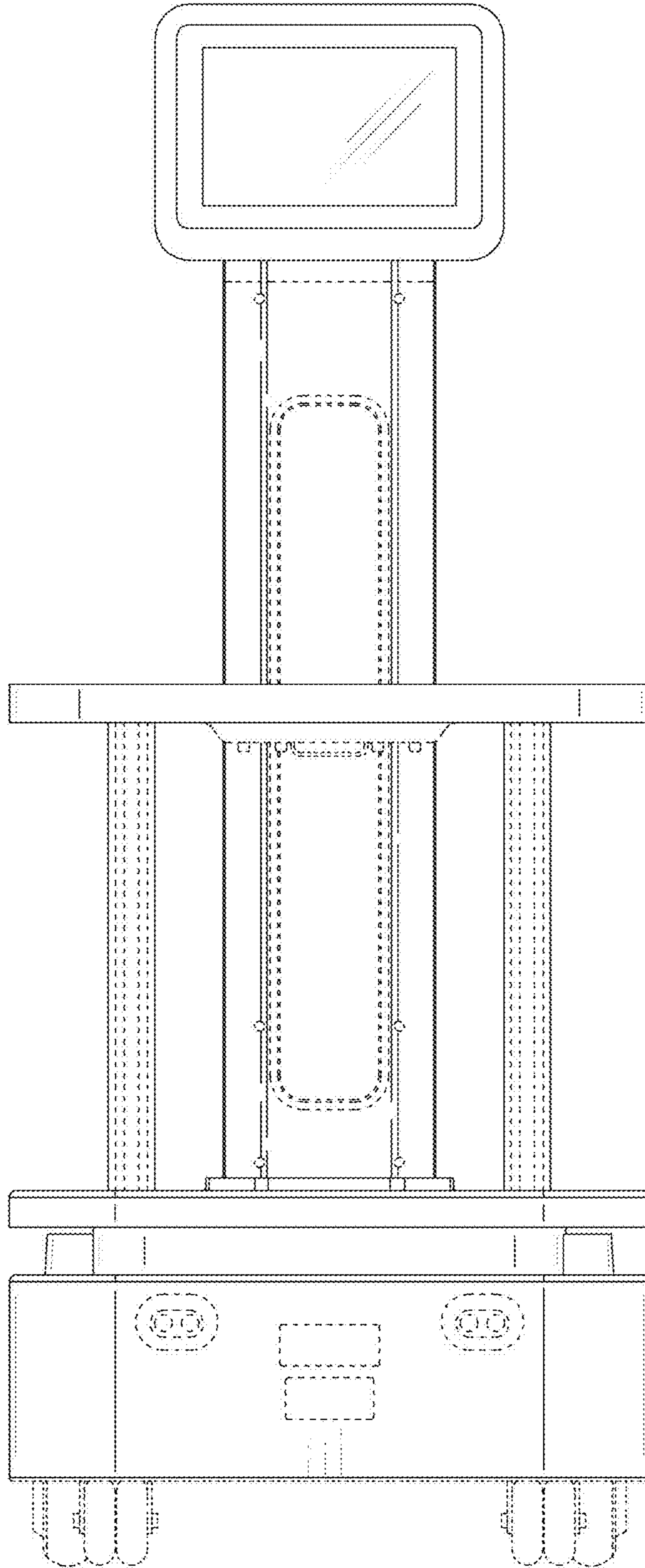


FIG. 3

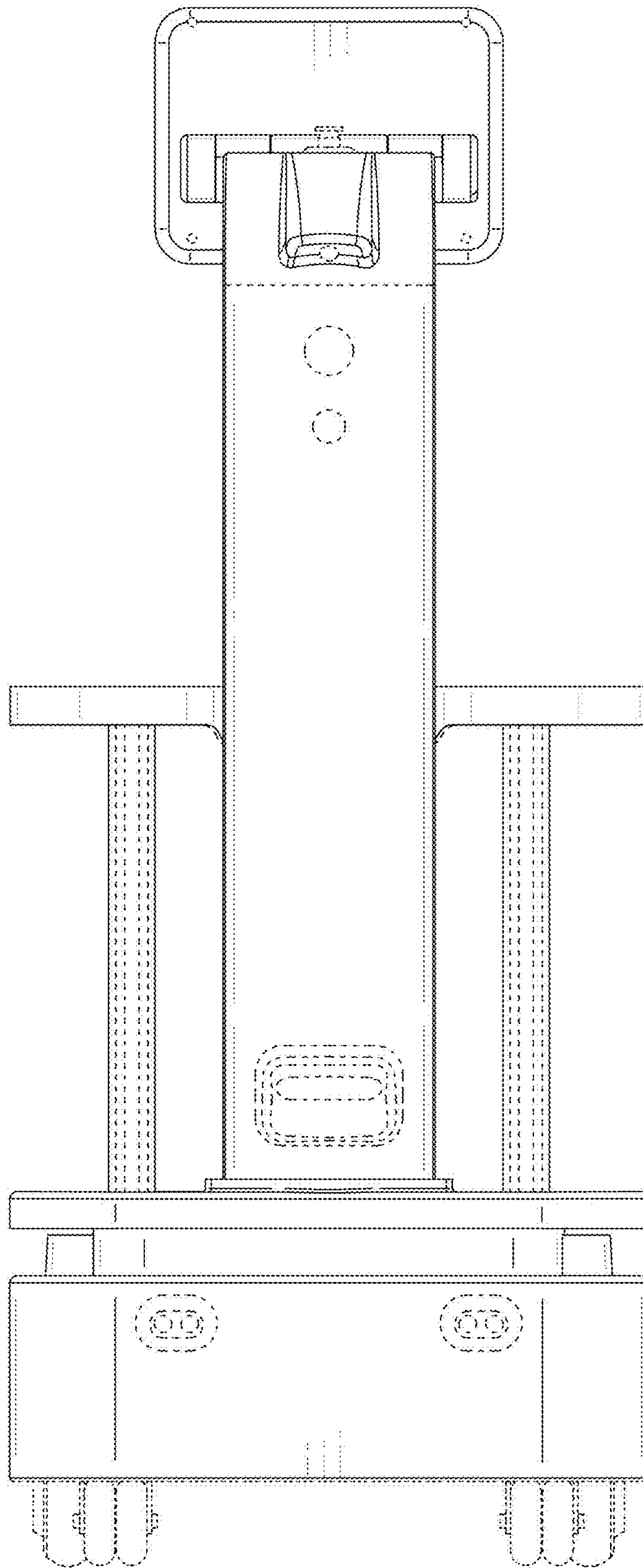


FIG. 4

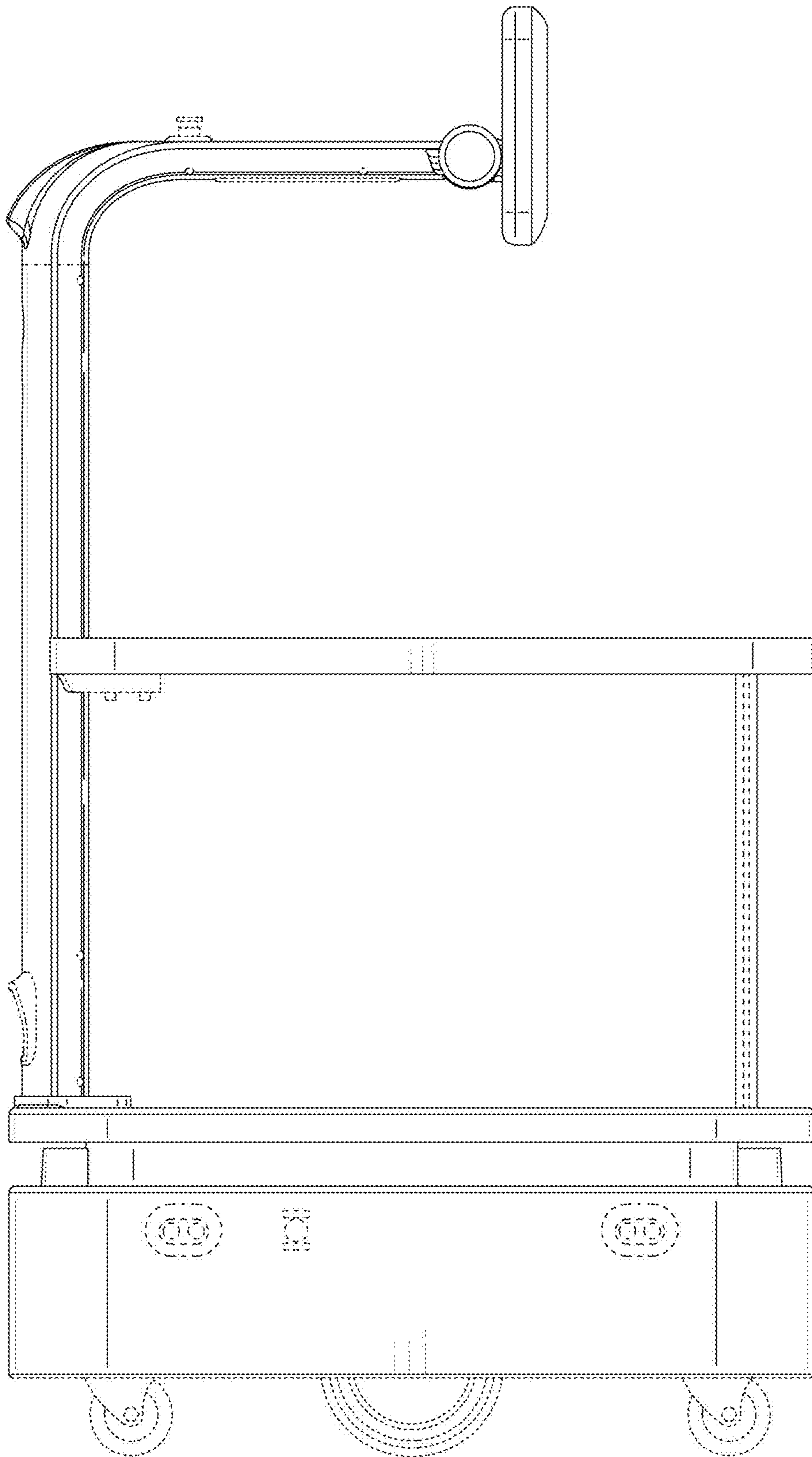


FIG. 5

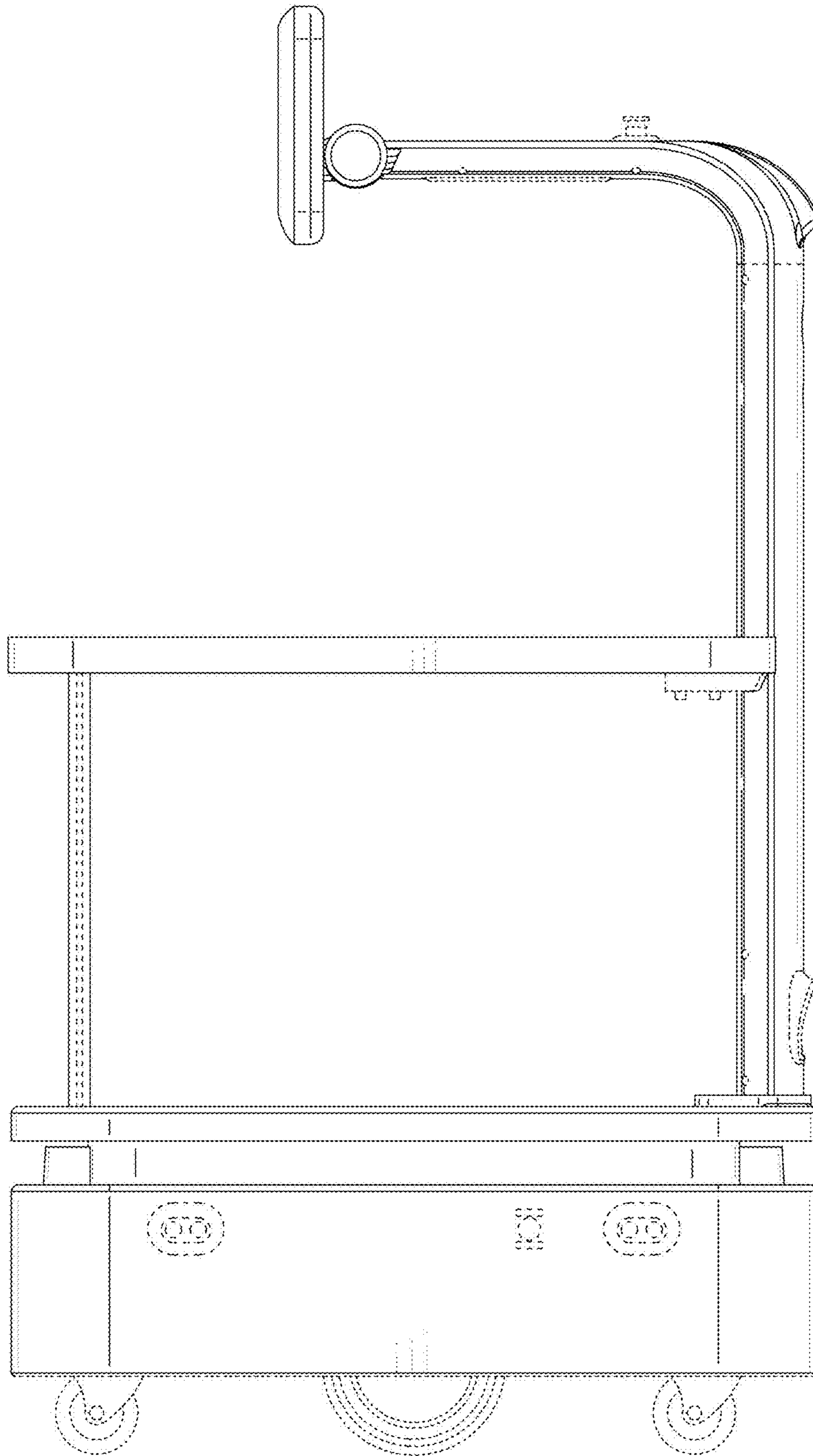


FIG. 6

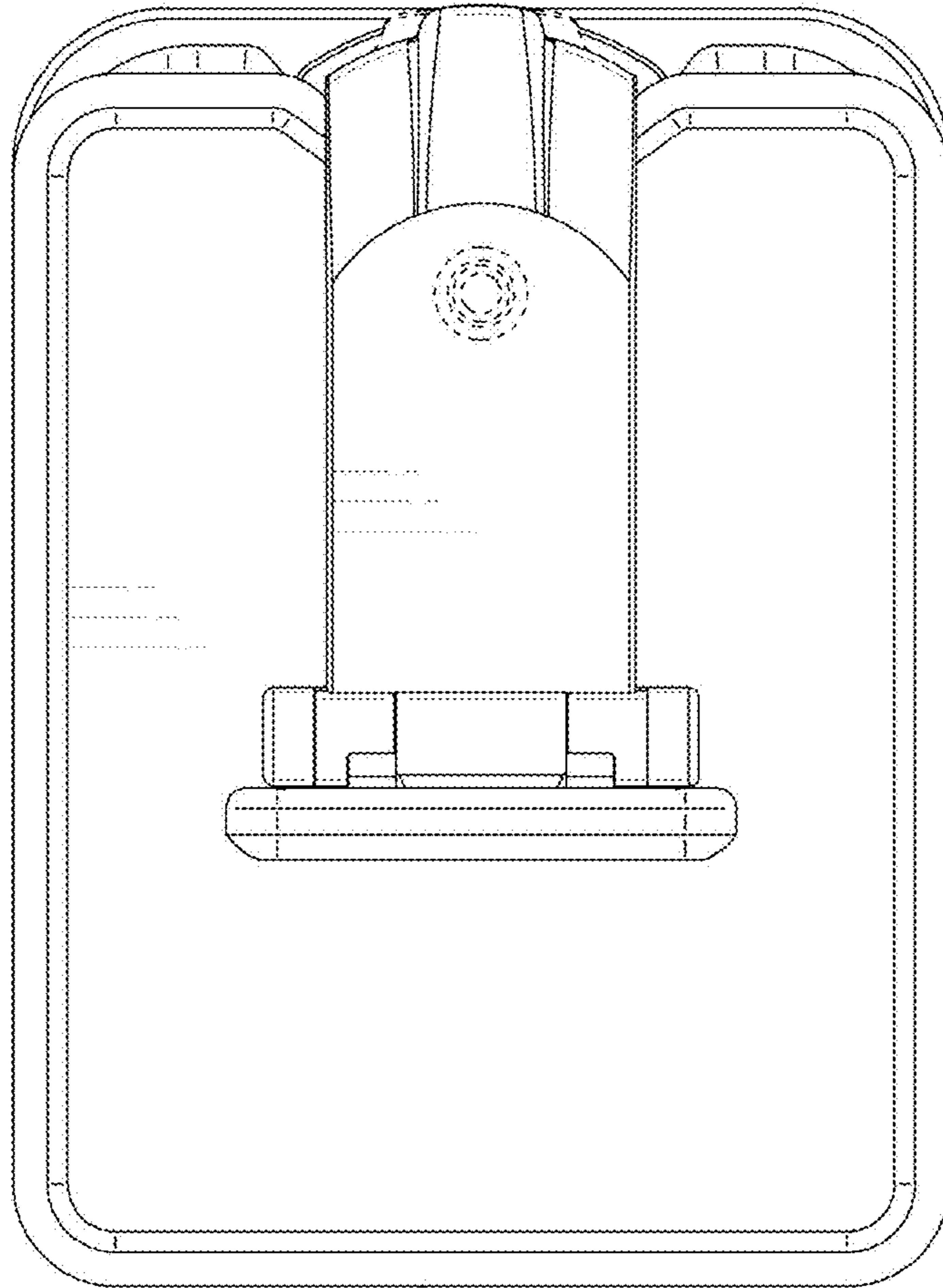


FIG. 7

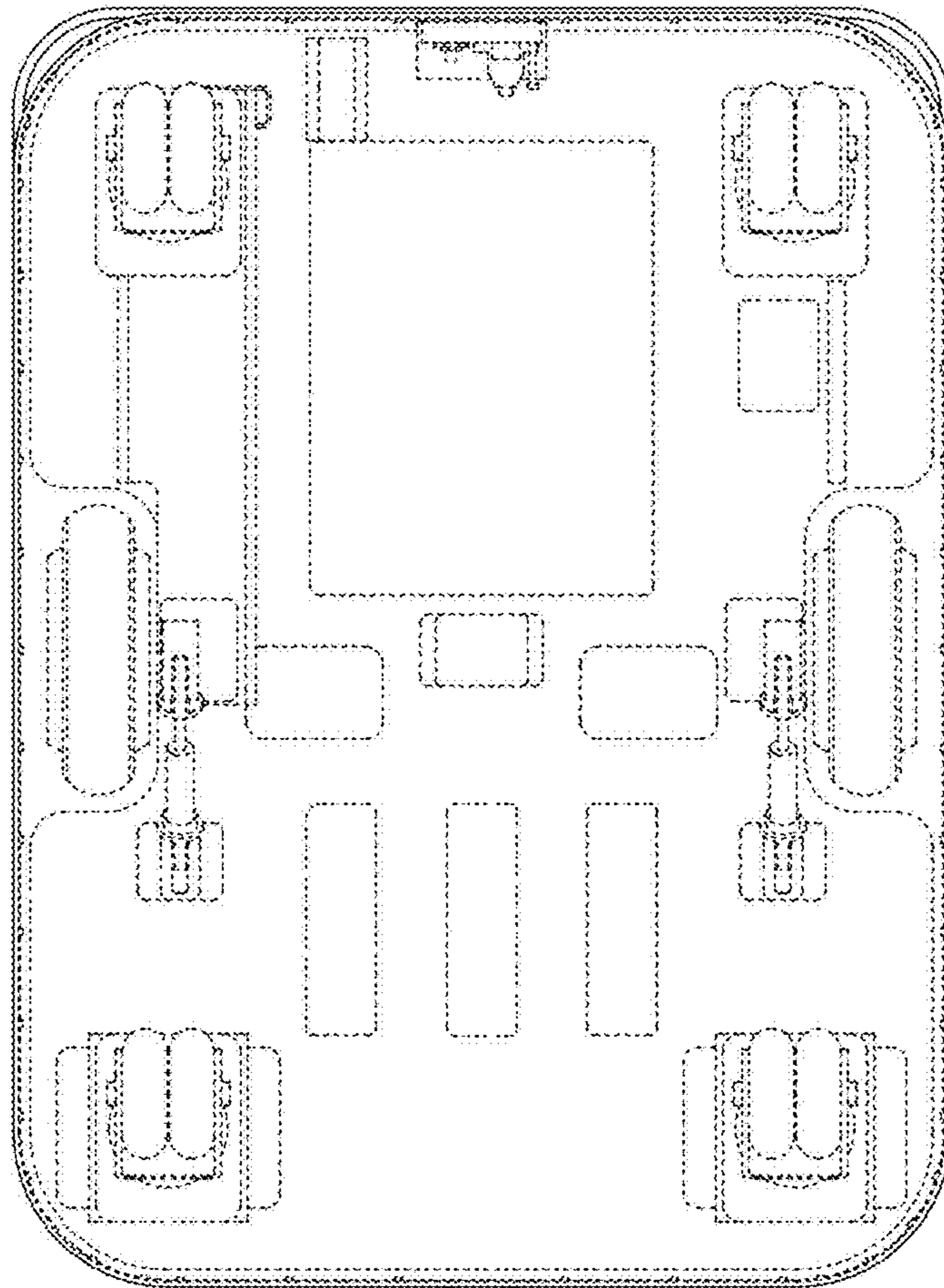


FIG. 8