



US00D888784S

(12) **United States Design Patent**
Premo

(10) **Patent No.:** **US D888,784 S**
(45) **Date of Patent:** **** Jun. 30, 2020**

- (54) **SHADE FRAME FOR A BOOM LIFT**
- (71) Applicant: **Jon J. Premo**, Riverside, CA (US)
- (72) Inventor: **Jon J. Premo**, Riverside, CA (US)
- (**) Term: **15 Years**
- (21) Appl. No.: **29/675,909**
- (22) Filed: **Jan. 7, 2019**
- (51) **LOC (12) Cl.** **15-03**
- (52) **U.S. Cl.**
USPC **D15/28**
- (58) **Field of Classification Search**
USPC D15/10-28; D3/5; D6/718.29, 716.8
CPC .. A47C 7/62; A47C 7/66; A45B 11/00; A45B
17/00; A45B 23/00; A61G 5/00; A61G
5/10
See application file for complete search history.

6,405,742	B1	6/2002	Driscoll	
D513,513	S *	1/2006	Taber	D15/28
D515,106	S *	2/2006	Taber	D15/28
7,048,333	B2	5/2006	Martinez	
7,431,389	B2 *	10/2008	Reeb	A47C 4/00 297/184.15
7,566,095	B2 *	7/2009	Reeb	A47C 4/00 297/184.15
D606,481	S *	12/2009	Stepp	D12/317
D751,536	S *	3/2016	Hochman	D14/239
D752,028	S *	3/2016	Hochman	D14/239
D759,367	S	6/2016	Zaccaro et al.	
D774,815	S	12/2016	Lovley, II et al.	
D879,842	S *	3/2020	Gordon	D15/17

(Continued)

Primary Examiner — Mark A Goodwin

(74) *Attorney, Agent, or Firm* — Kirk A. Buhler; Buhler & Associates Patenting

(57) **CLAIM**

The ornamental design for a shade frame for a boom lift, as shown and described.

DESCRIPTION

FIG. 1 is a bottom perspective view of a shade frame for a boom lift;

FIG. 2 is a left side elevation view, the right side elevation view being a mirror image thereof, and

FIG. 3 is a front elevation view thereof;

FIG. 4 is a rear elevation view thereof;

FIG. 5 is a top plan view thereof;

FIG. 6 is a bottom view thereof;

FIG. 7 is a top perspective view showing my new design in its environment; and,

FIG. 8 is a bottom perspective view with the top portion of the frame rotated.

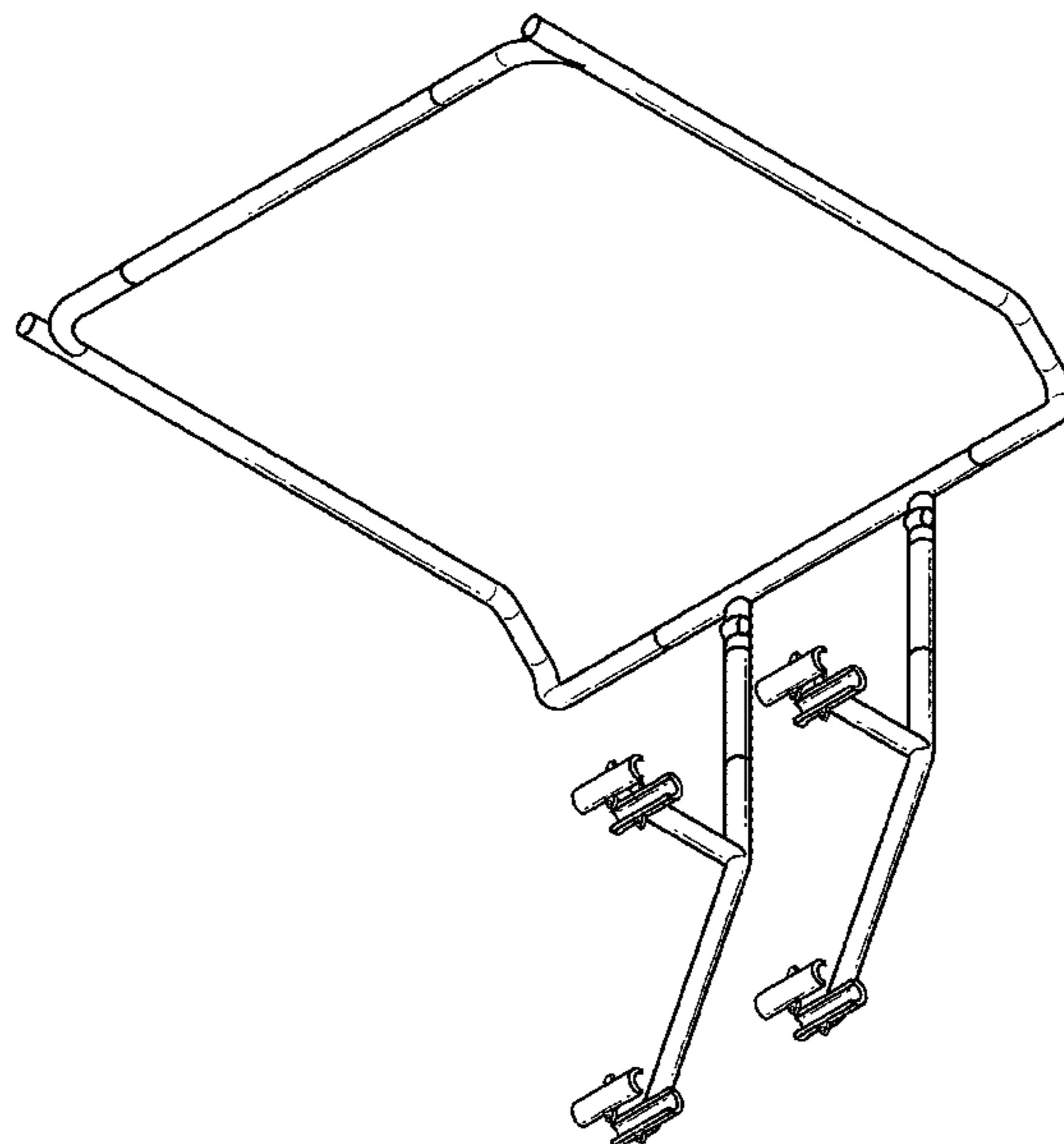
The broken lines in FIG. 7 depict environmental subject matter for illustrative purposes only and form no part of the claimed design.

1 Claim, 8 Drawing Sheets

(56) **References Cited**

U.S. PATENT DOCUMENTS

2,836,187	A *	5/1958	Dunnagan	B60N 3/007 135/96
3,765,434	A	10/1973	Riggs	
4,641,883	A *	2/1987	Kato	A47G 9/1045 297/118
4,643,479	A *	2/1987	Servi	A61G 5/10 297/184.15
5,000,210	A *	3/1991	Worthington, Jr.	A47C 7/66 135/90
5,096,257	A	3/1992	Clark	
5,255,954	A *	10/1993	Rogers	A47C 7/66 135/96
D355,424	S *	2/1995	Williams	D15/28
D361,014	S *	8/1995	Baribeau	D7/402
D391,546	S *	3/1998	Frink	D12/317
D392,243	S *	3/1998	Anderson	D12/317
5,842,732	A *	12/1998	Daggett	B60J 7/165 296/102
D408,038	S *	4/1999	Lollis, Jr.	D15/17



(56)

References Cited

U.S. PATENT DOCUMENTS

2007/0040422 A1* 2/2007 Reeb A47C 7/66
297/184.1
2011/0284045 A1* 11/2011 Reeb A45B 23/00
135/151
2014/0306494 A1* 10/2014 Frankel A47C 7/66
297/184.15

* cited by examiner

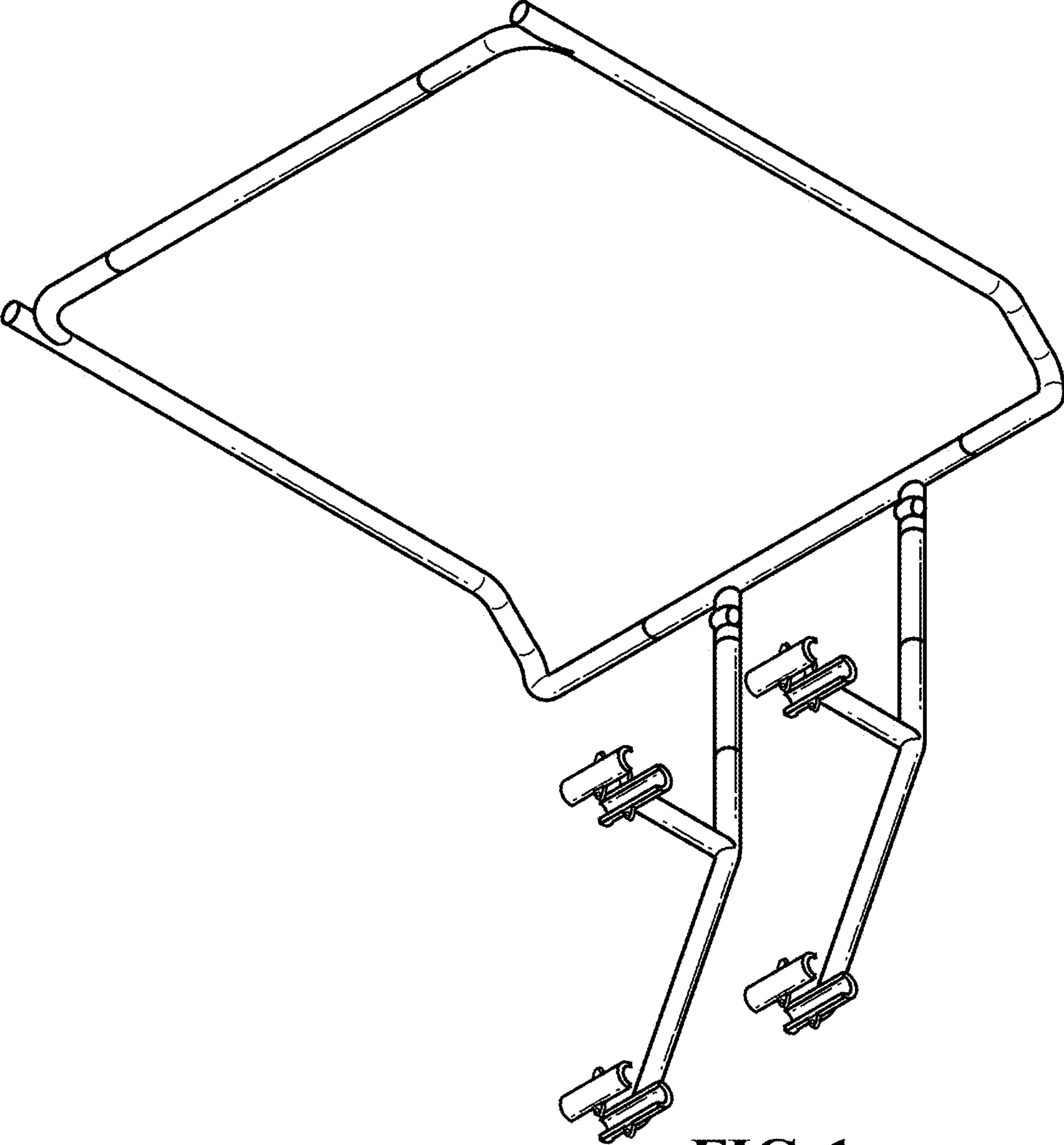


FIG. 1

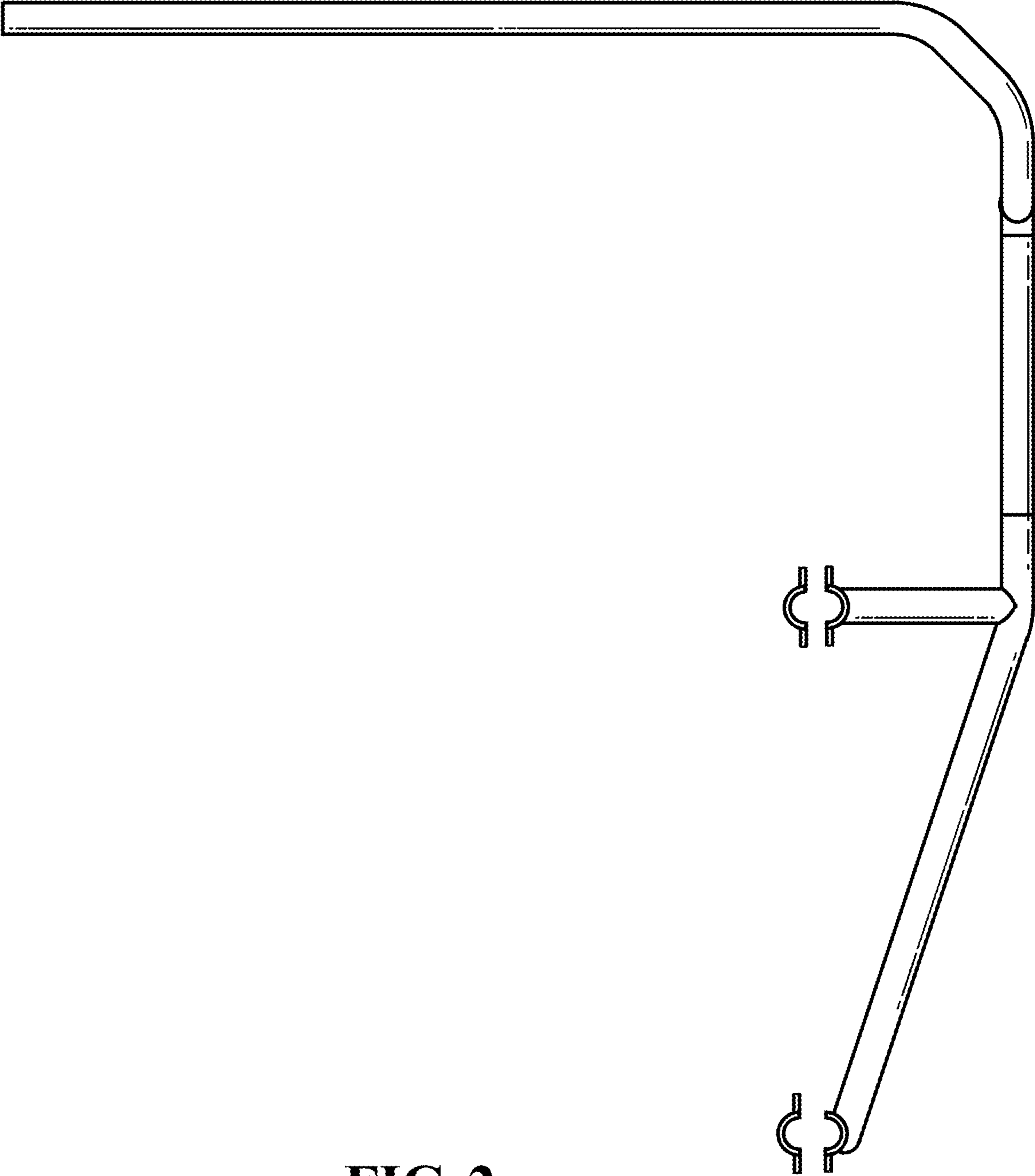


FIG. 2

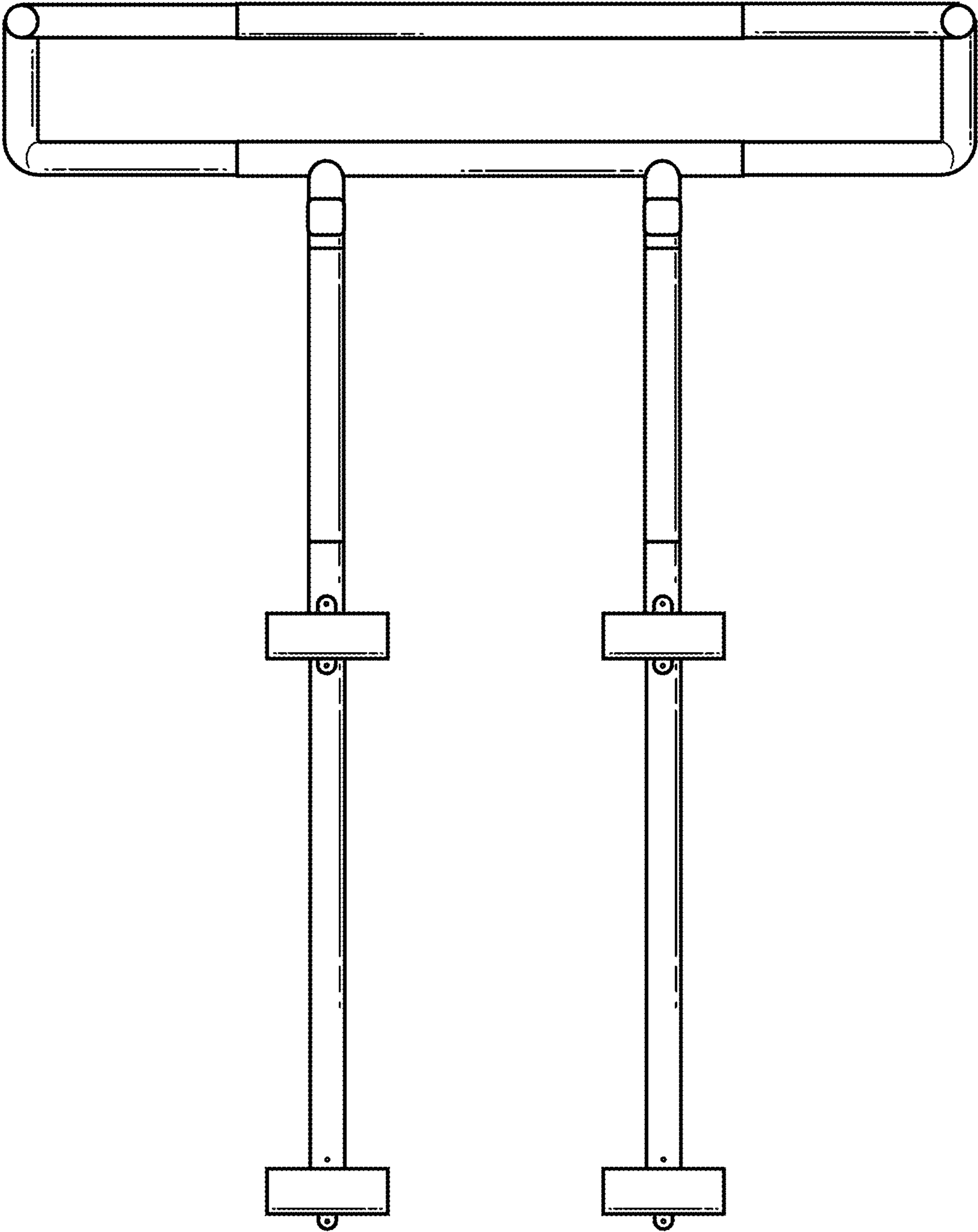


FIG. 3

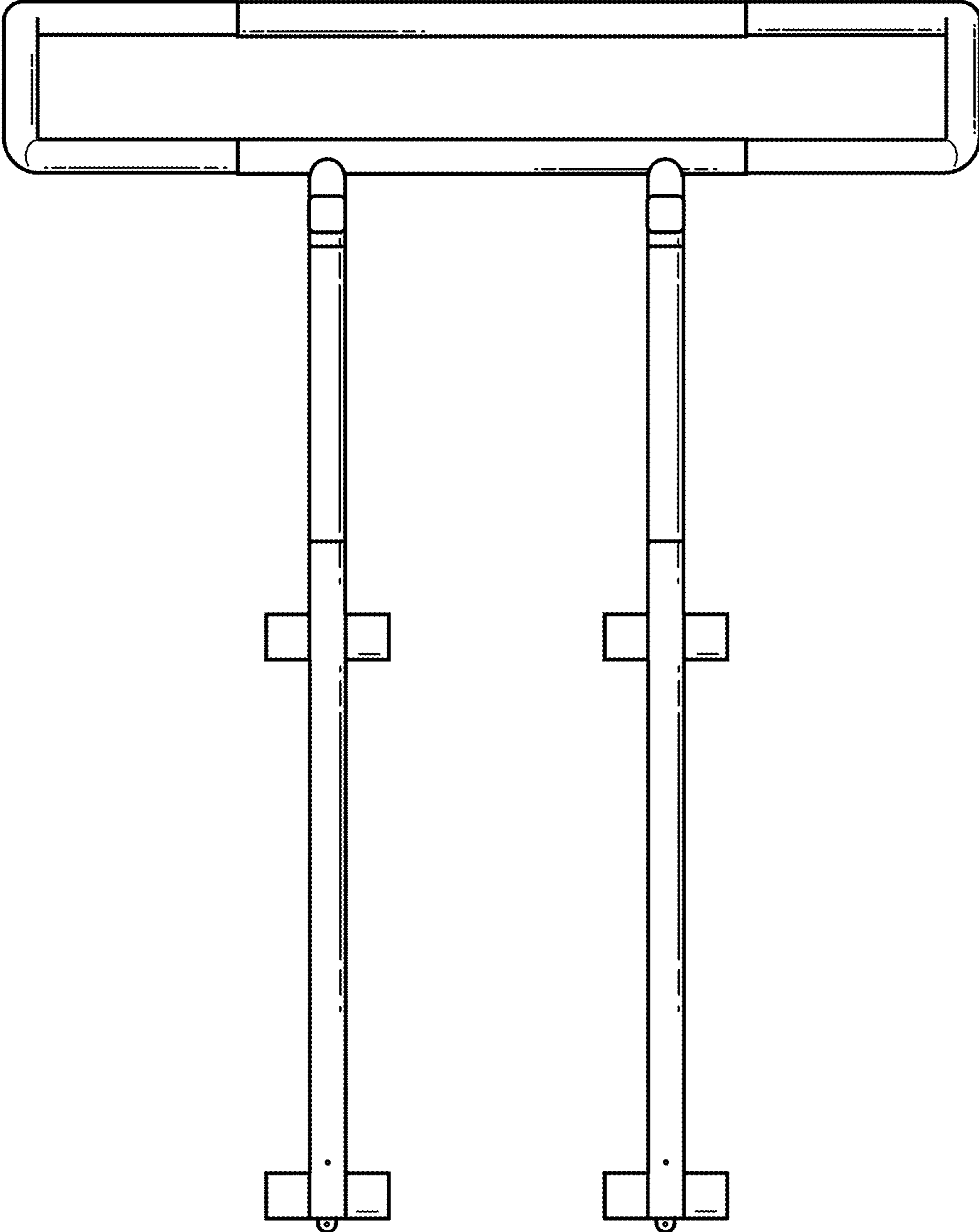


FIG. 4

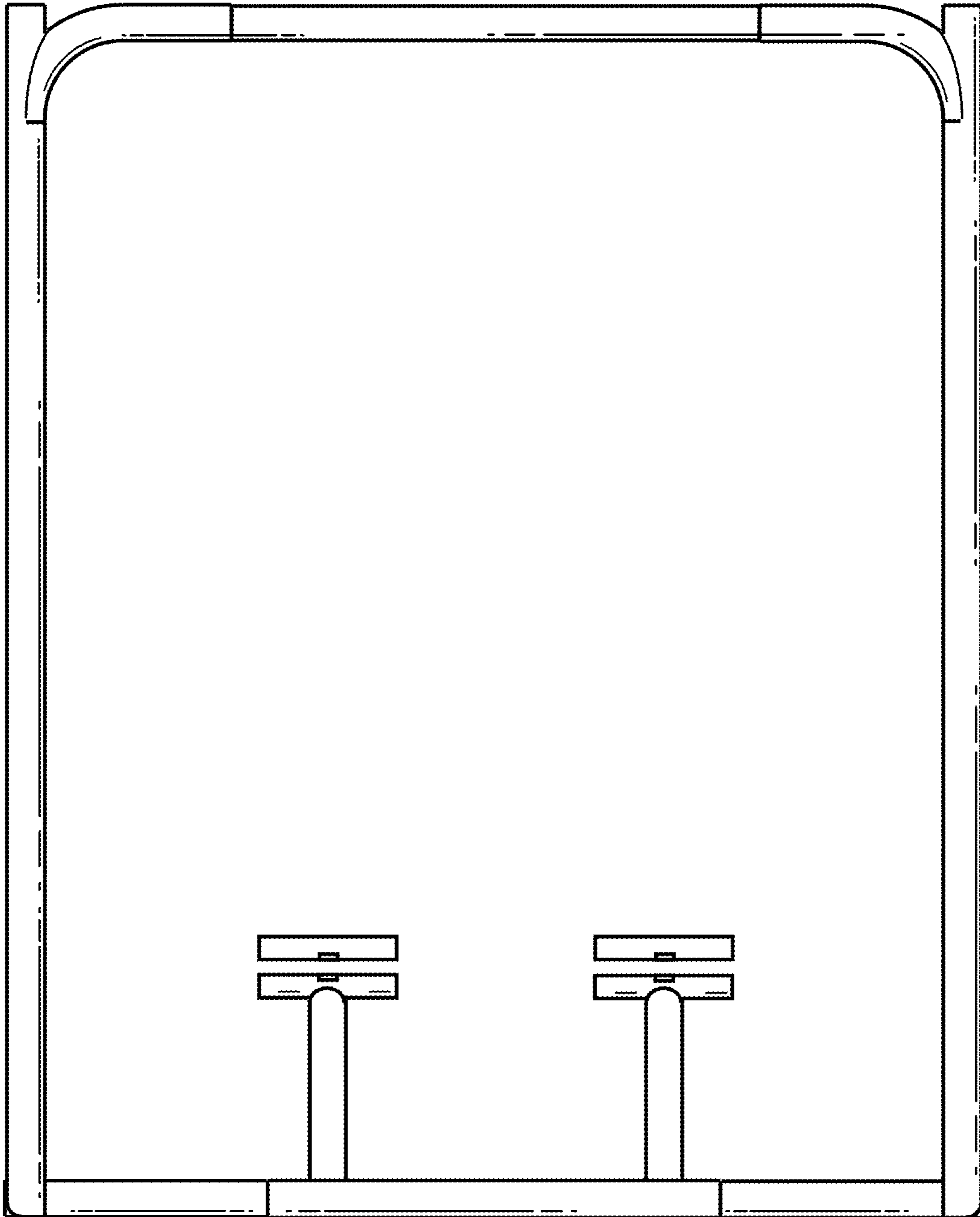


FIG. 5

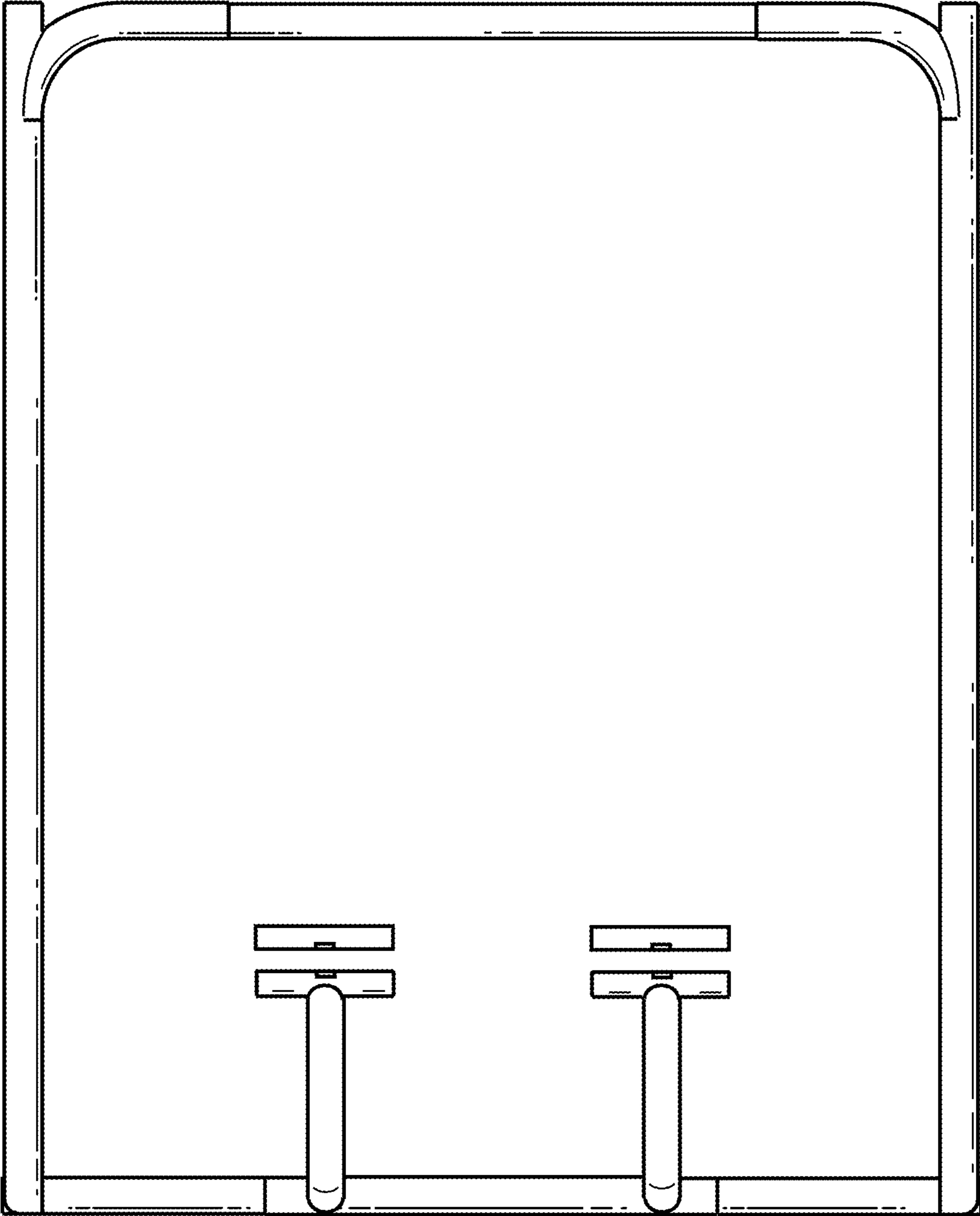


FIG. 6

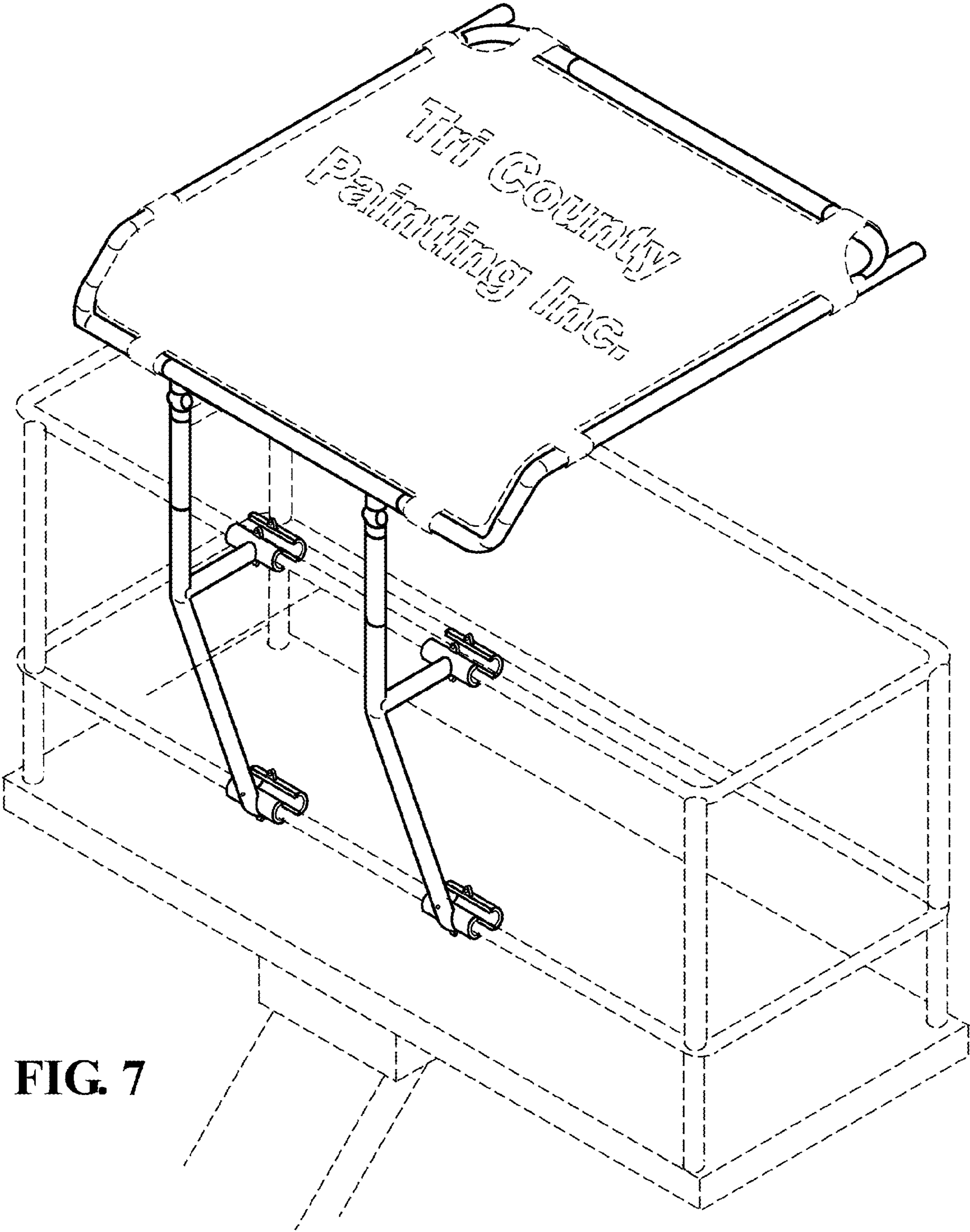


FIG. 7

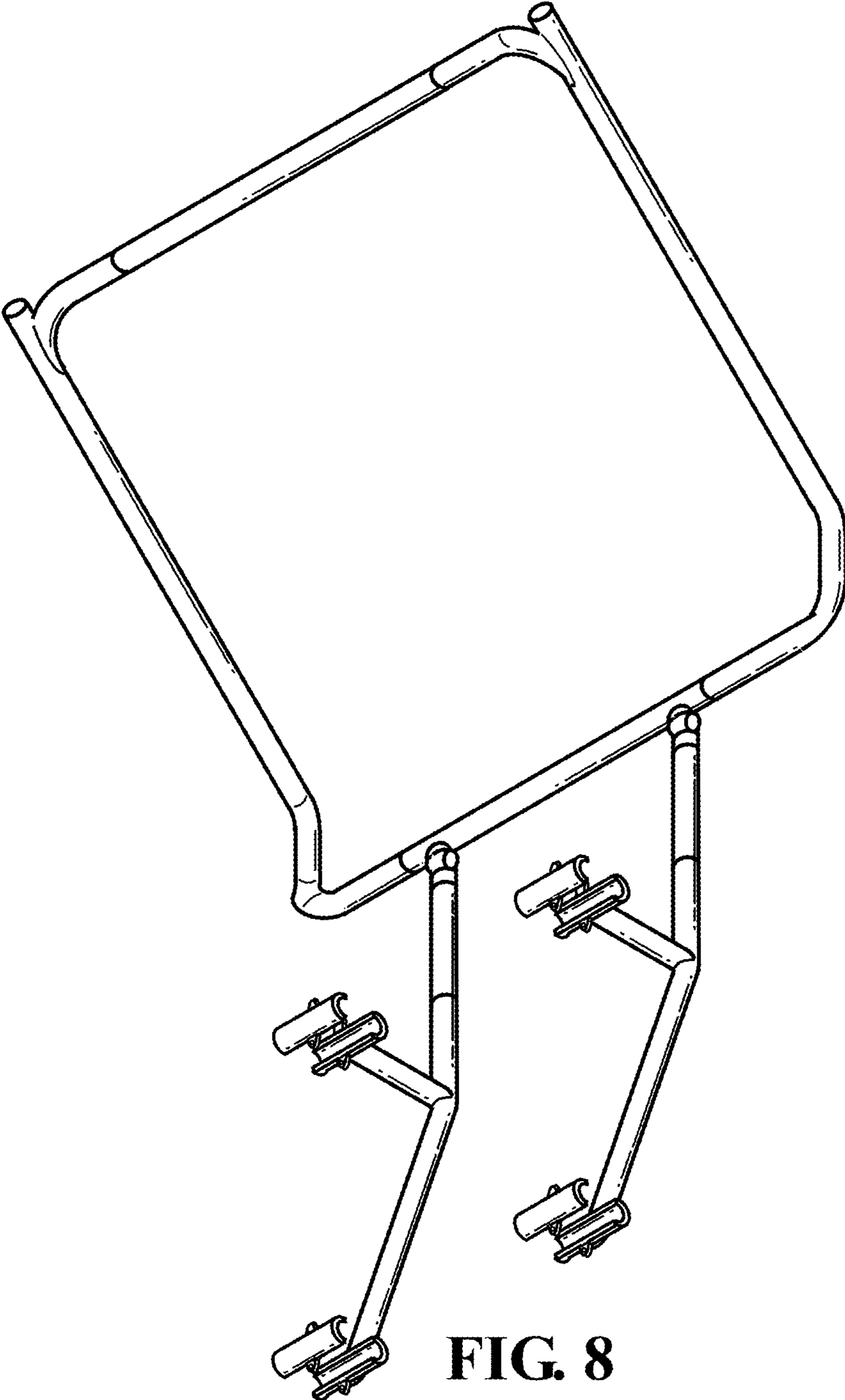


FIG. 8