



US00D888783S

(12) **United States Design Patent**  
**Esau**

(10) **Patent No.:** **US D888,783 S**  
(45) **Date of Patent:** **\*\* Jun. 30, 2020**

(54) **WORK MACHINE**

(71) Applicant: **DEERE & COMPANY**, Moline, IL  
(US)

(72) Inventor: **Dierk Esau**, Neulussheim (DE)

(73) Assignee: **DEERE & COMPANY**, Moline

(\*\*) Term: **15 Years**

(21) Appl. No.: **29/676,903**

(22) Filed: **Jan. 15, 2019**

(30) **Foreign Application Priority Data**

Jul. 26, 2018 (EP) ..... 005515350  
Jul. 26, 2018 (EP) ..... 005515384

(51) **LOC (12) Cl.** ..... **15-03**

(52) **U.S. Cl.**  
USPC ..... **D15/23; D15/26**

(58) **Field of Classification Search**  
USPC ..... D15/10, 14, 15, 22-26, 33; 180/69.2,  
180/89.1, 89.12, 900; 56/12.7, 15.8, 16.7,  
56/13.3, 10.1, 202, 320.1  
CPC ..... A01B 51/026; B62D 49/02; B62D 33/06;  
B62D 33/0604; B62D 33/0617; B62D  
25/10; B60K 15/063; B60K 15/073;  
B60K 2015/0637  
See application file for complete search history.

(56) **References Cited**

**U.S. PATENT DOCUMENTS**

D564,544 S \* 3/2008 Higashikawa ..... D15/23  
D602,047 S \* 10/2009 Kushita ..... D15/23

D641,027 S \* 7/2011 Kawashiri ..... D15/23  
D729,851 S \* 5/2015 Kushita ..... D15/23  
D748,677 S \* 2/2016 Kushita ..... D15/26  
D749,645 S \* 2/2016 Okuyama ..... D15/26  
D752,650 S \* 3/2016 Margutti ..... D15/23  
D753,730 S \* 4/2016 Margutti ..... D15/23  
D754,210 S \* 4/2016 Margutti ..... D15/23  
D756,421 S \* 5/2016 Okuyama ..... D15/26  
D777,215 S \* 1/2017 Moritaka ..... D15/23  
D783,059 S \* 4/2017 Okuyama ..... D15/23  
D785,050 S \* 4/2017 Okuyama ..... D15/23  
D785,051 S \* 4/2017 Okuyama ..... D15/23

\* cited by examiner

*Primary Examiner* — Mark A Goodwin

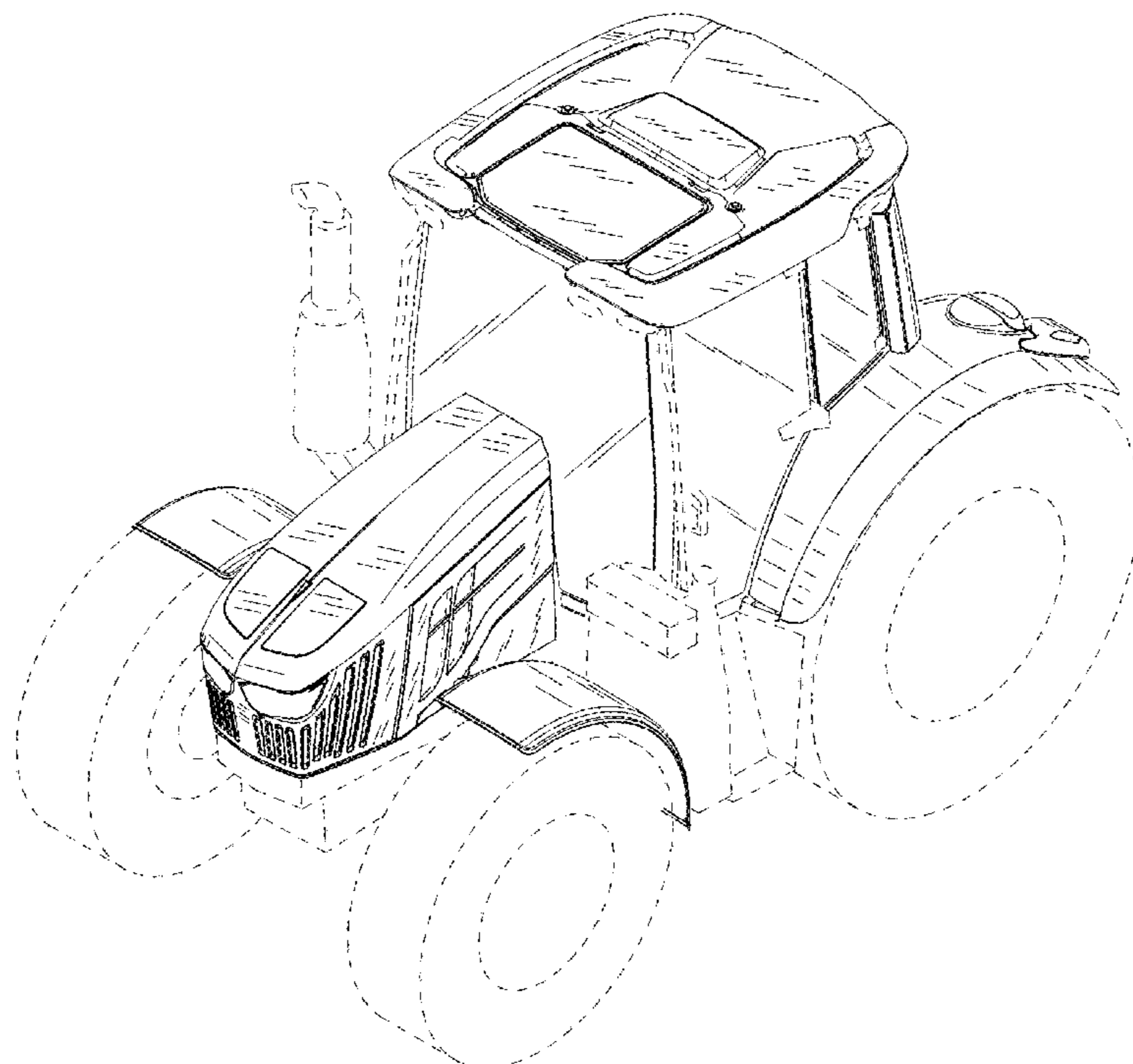
(57) **CLAIM**

The ornamental design for a work machine, as shown and described.

**DESCRIPTION**

FIG. 1 is a top, front, left perspective view of a work machine embodying our new design;  
FIG. 2 is a left side elevational view thereof;  
FIG. 3 is a right side elevational view thereof;  
FIG. 4 is a front elevational view thereof;  
FIG. 5 is a rear elevational view thereof;  
FIG. 6 is a top plan view thereof; and,  
FIG. 7 is a bottom plan view thereof.  
The broken line representations in the figures show unclaimed environment or boundaries, and thus form no part of the claimed design.

**1 Claim, 7 Drawing Sheets**



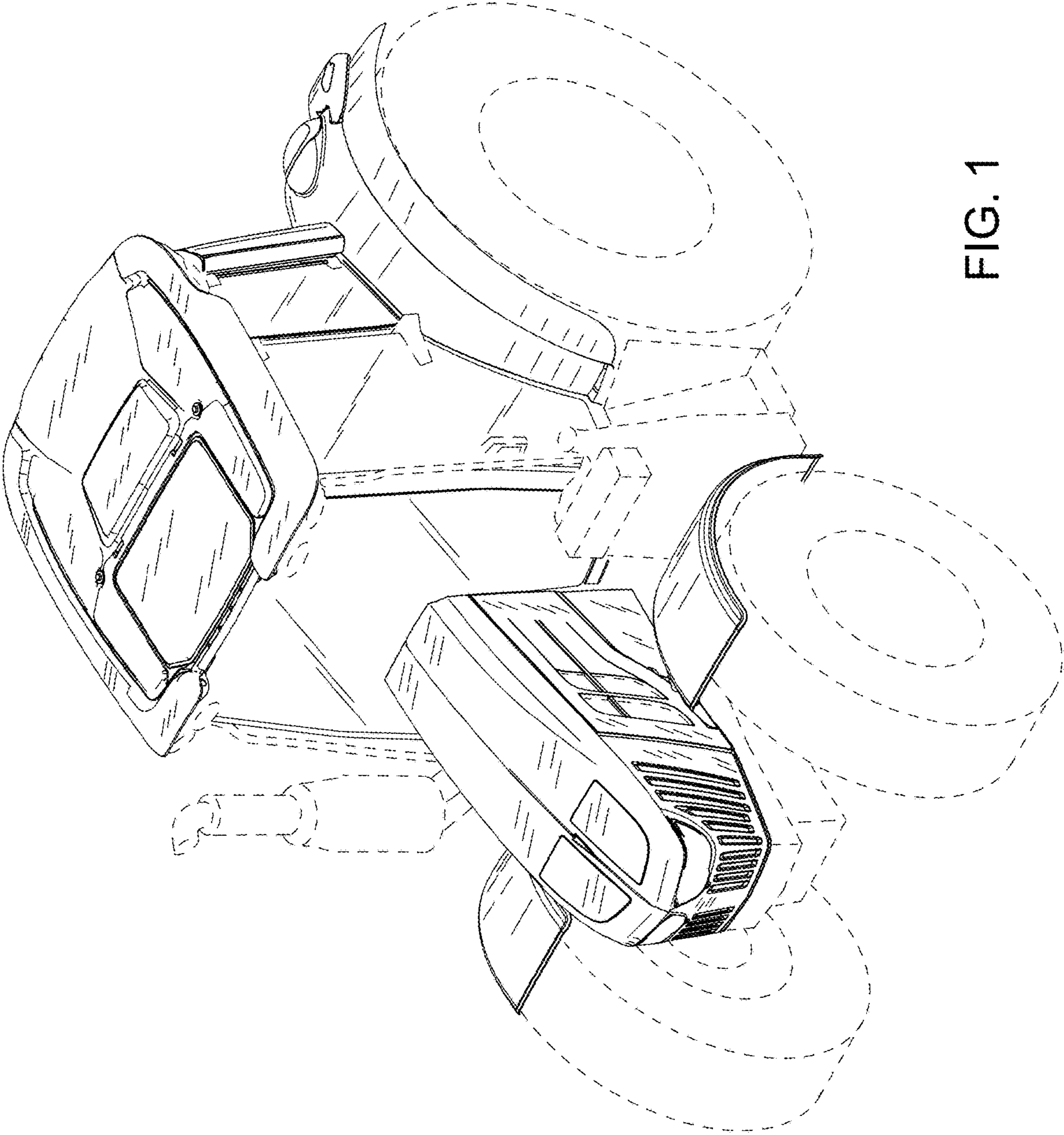


FIG. 1

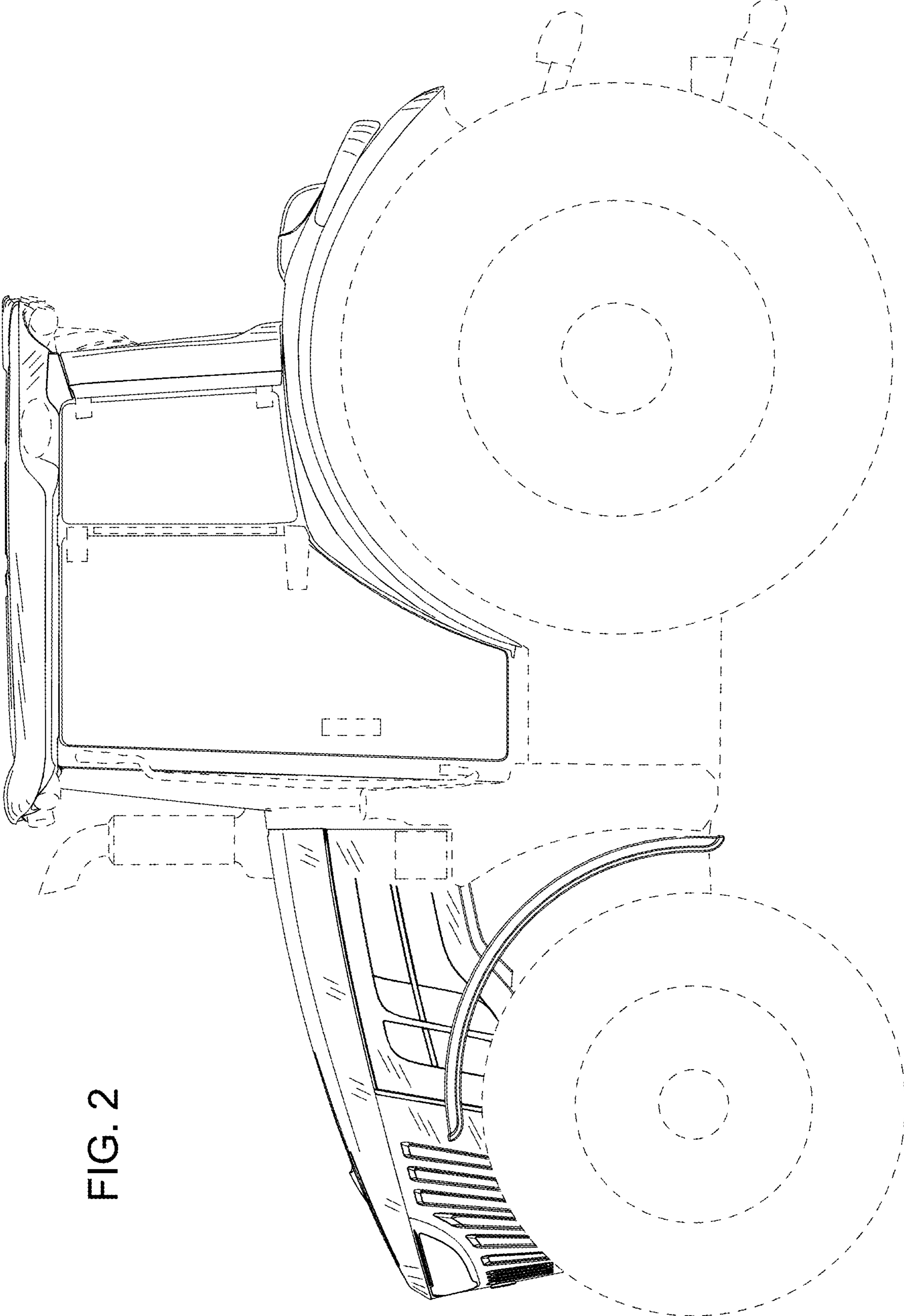
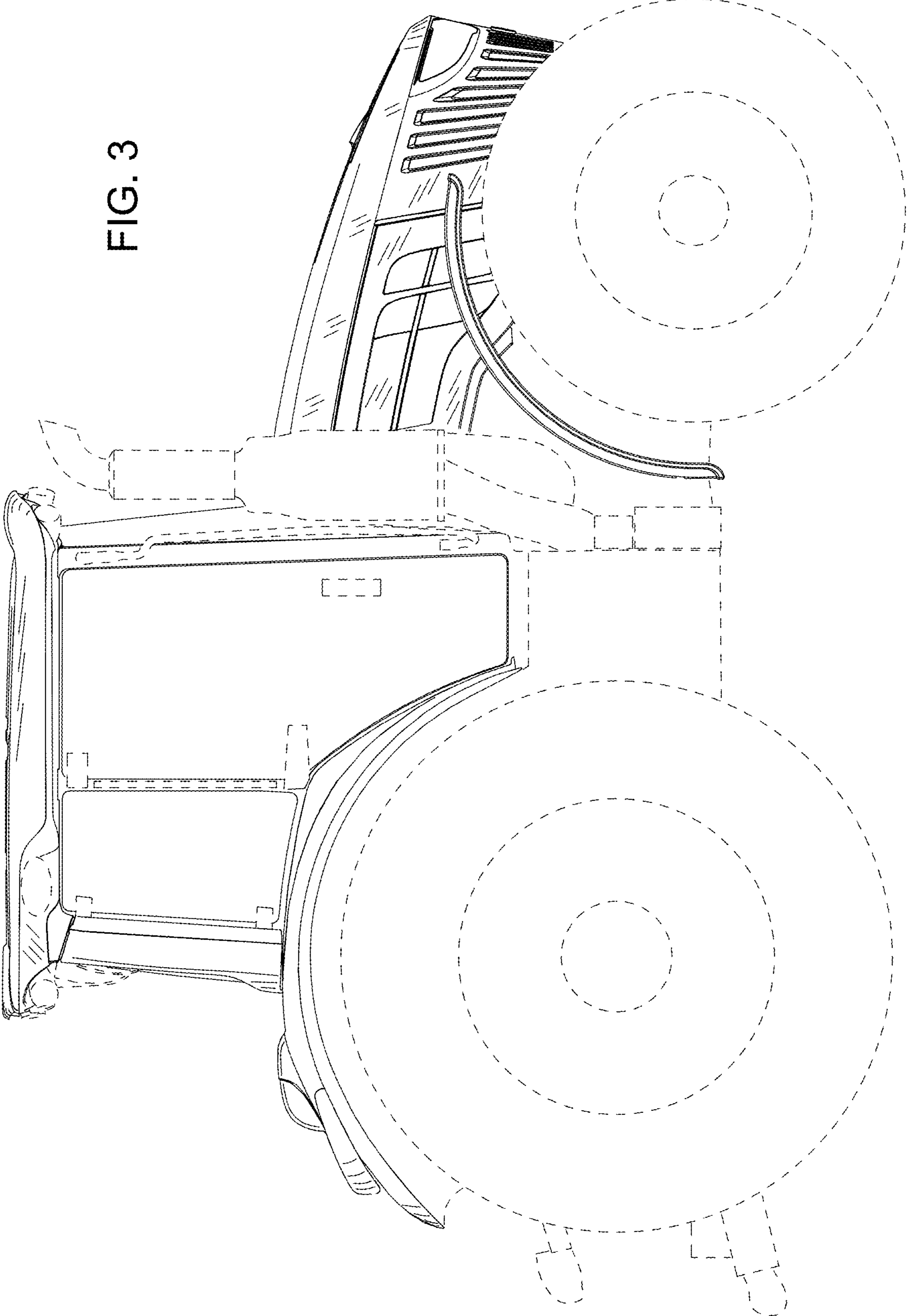


FIG. 2

FIG. 3



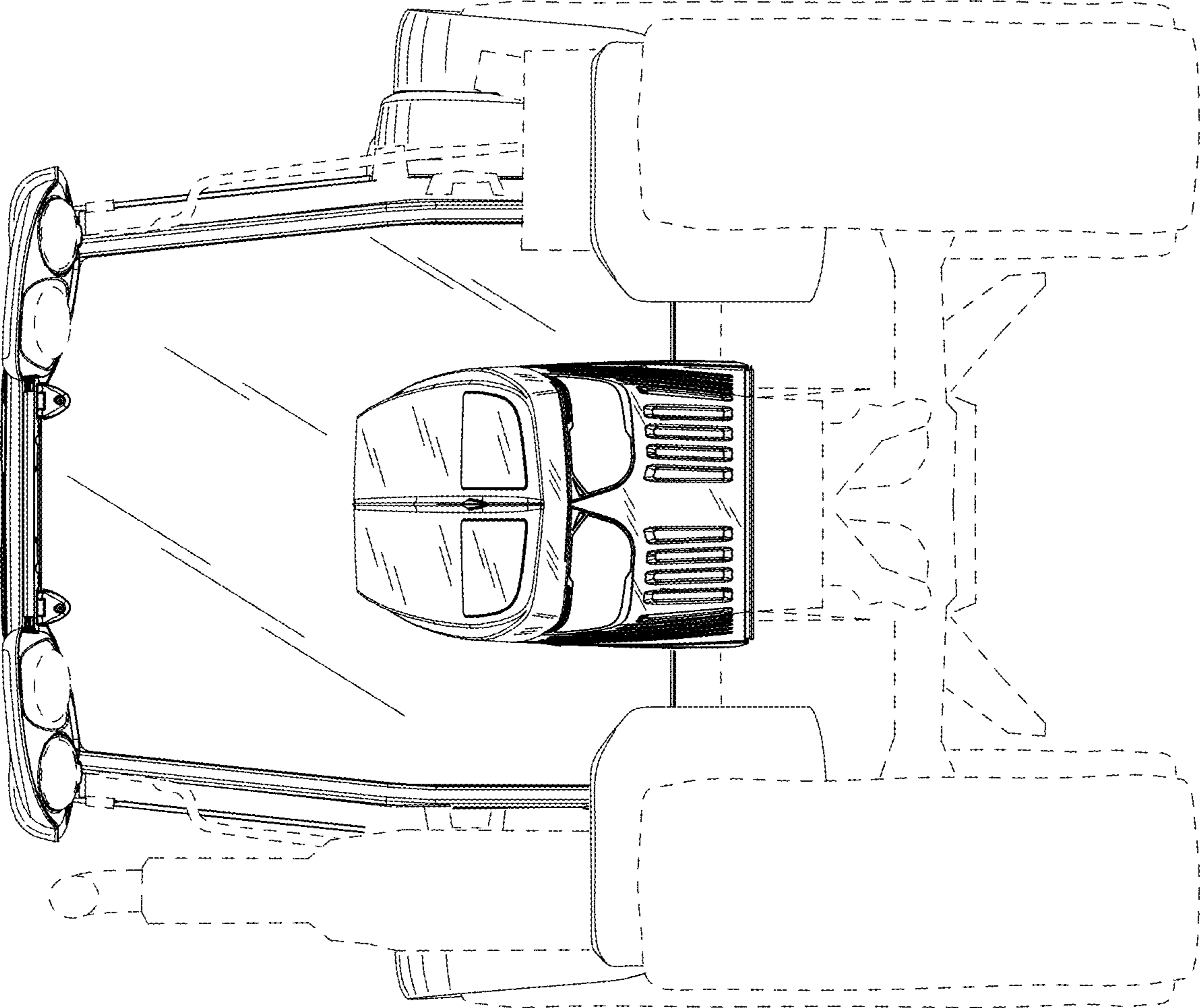


FIG. 4

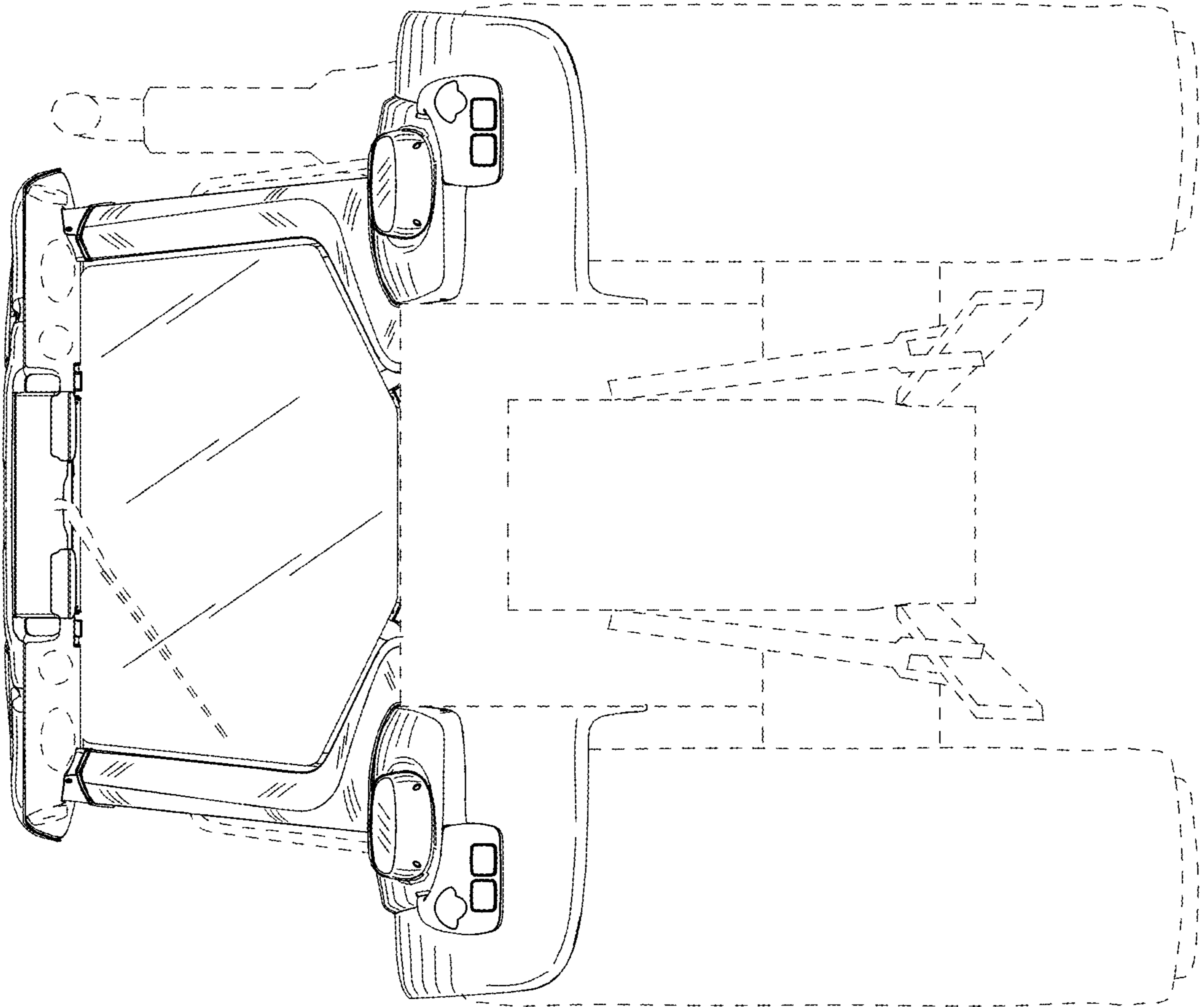


FIG. 5

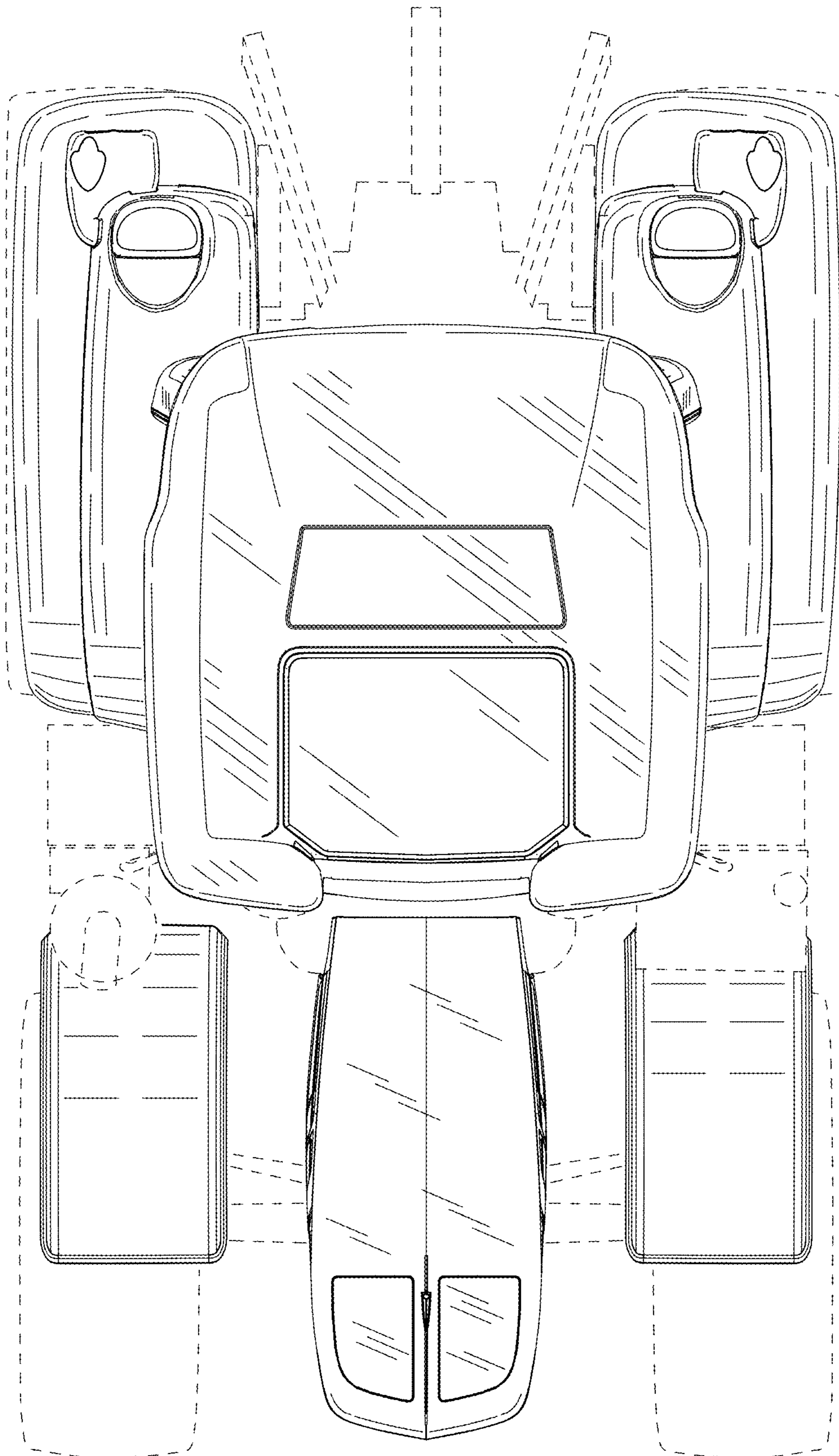


FIG. 6

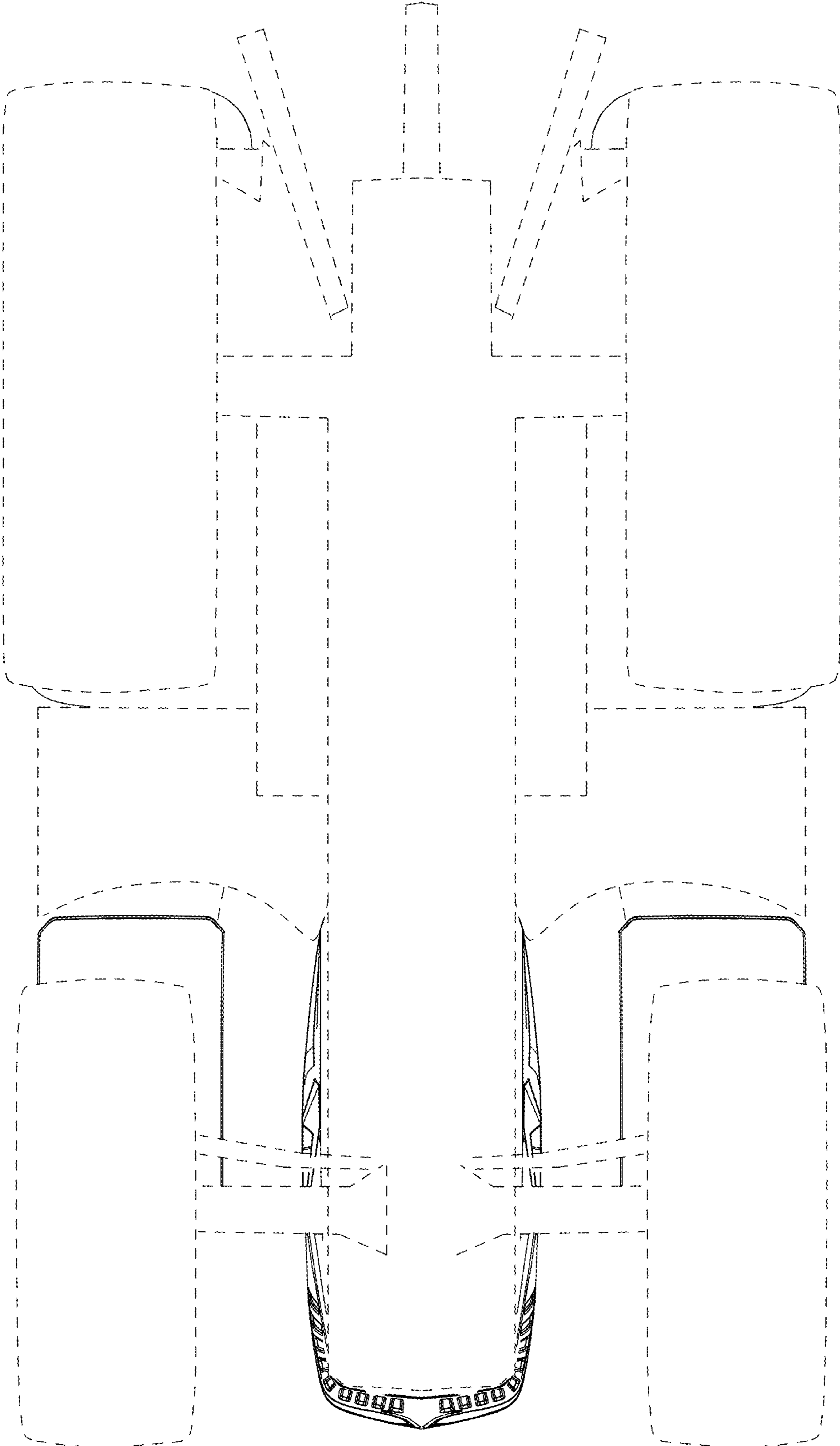


FIG. 7