



US00D888781S

(12) **United States Design Patent**  
**Loew**

(10) **Patent No.:** **US D888,781 S**  
(45) **Date of Patent:** **\*\* Jun. 30, 2020**

(54) **PAVER**  
(71) Applicant: **BOMAG GmbH**, Boppard (DE)  
(72) Inventor: **Roland Loew**, Klein-Winternheim (DE)  
(73) Assignee: **BOMAG GmbH**, Boppard (DE)  
(\*\*) Term: **15 Years**  
(21) Appl. No.: **29/671,517**  
(22) Filed: **Nov. 28, 2018**

(30) **Foreign Application Priority Data**

Jun. 4, 2018 (EM) ..... 005295680-0008

(51) **LOC (12) Cl.** ..... **15-03**

(52) **U.S. Cl.**  
USPC ..... **D15/22**

(58) **Field of Classification Search**  
USPC ..... D15/10, 13, 19, 22-26; 404/75, 108,  
404/101, 102, 110, 118, 87.05  
CPC ..... E01C 19/18; E01C 19/00; E01C 19/182;  
E01C 19/22; E01C 19/42; E01C 19/20  
See application file for complete search history.

(56) **References Cited**

U.S. PATENT DOCUMENTS

D135,005 S \* 2/1943 Baumgardner ..... D15/10  
D239,966 S \* 5/1976 Swisher et al. .... D15/22  
3,997,277 A \* 12/1976 Swisher, Jr. .... E01C 19/4873  
404/84.05  
5,009,546 A \* 4/1991 Domenighetti ..... B62D 55/02  
404/110  
5,201,603 A \* 4/1993 Bassett ..... E01C 19/48  
404/110  
5,201,604 A \* 4/1993 Ferguson ..... E01C 19/008  
404/110  
5,511,900 A \* 4/1996 Macku ..... E01C 19/42  
404/101  
D398,289 S 9/1998 Burke

6,007,272 A \* 12/1999 Macku ..... E01C 19/1077  
366/319  
6,071,040 A \* 6/2000 Macku ..... E01C 19/1077  
404/108  
D432,963 S 10/2000 Meinhardt  
D454,567 S 3/2002 Hayes et al.  
D454,878 S 3/2002 Hayes et al.  
D518,082 S 3/2006 Muto  
D525,212 S 7/2006 Kim  
D525,409 S 7/2006 Cantrill et al.  
D527,393 S 8/2006 Maas et al.  
D533,569 S 12/2006 Mursch  
D553,580 S 10/2007 Hobson  
D557,218 S 12/2007 Ewringmann  
D576,563 S 9/2008 Kaluza  
D578,142 S \* 10/2008 Ewringmann ..... D15/22  
D587,212 S 2/2009 Hartwick  
D590,122 S 4/2009 Shaw et al.

(Continued)

*Primary Examiner* — Mark A Goodwin

(74) *Attorney, Agent, or Firm* — Wood Herron & Evans  
LLP

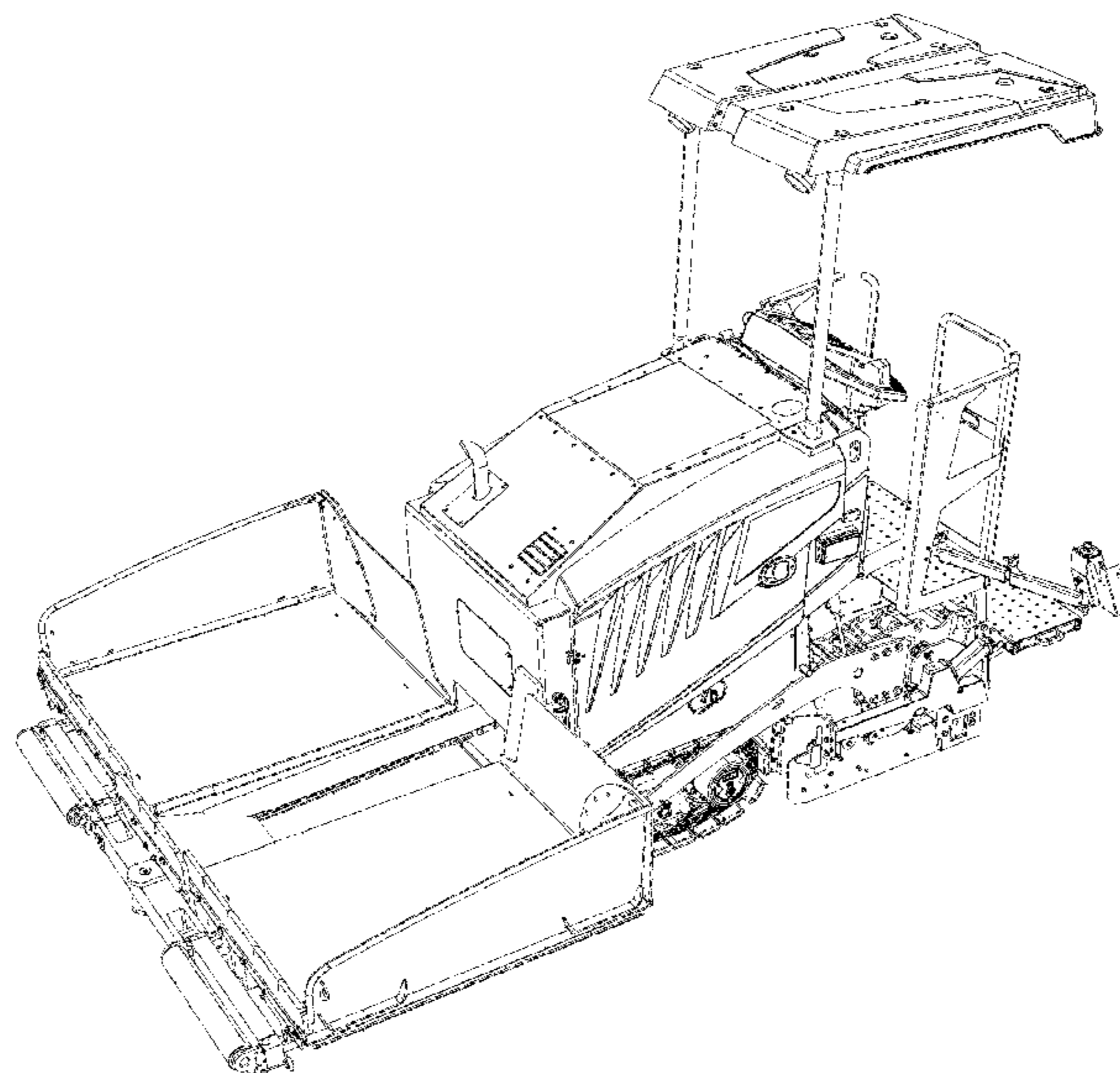
(57) **CLAIM**

The ornamental design for a paver, as shown and described.

**DESCRIPTION**

FIG. 1 is a right front perspective view of a paver showing my new design;  
FIG. 2 is a right rear perspective view thereof;  
FIG. 3 is a left front perspective view thereof;  
FIG. 4 is a left rear perspective view thereof;  
FIG. 5 is a front elevation view thereof;  
FIG. 6 is a right-side elevation view thereof;  
FIG. 7 is a rear elevation view thereof;  
FIG. 8 is a left-side elevation view thereof;  
FIG. 9 is a top plan view thereof; and,  
FIG. 10 is a bottom plan view thereof.

**1 Claim, 10 Drawing Sheets**



(56)

References Cited

U.S. PATENT DOCUMENTS

D599,825 S	9/2009	Schneider et al.		D755,252 S *	5/2016	Ewringmann	.....	D15/22
D632,308 S *	2/2011	Kopacz	.....	D767,643 S	9/2016	Sohngen		
D650,396 S	12/2011	Ewringmann		D769,334 S	10/2016	Ewringmann		
D652,063 S	1/2012	Takeuchi et al.		D770,541 S	11/2016	Ewringmann		
D652,432 S	1/2012	Kopacz et al.		D773,535 S	12/2016	Ewringmann		
D652,433 S	1/2012	Takeuchi et al.		D777,623 S	1/2017	Anderton et al.		
D659,343 S	5/2012	Saitou et al.		D786,945 S	5/2017	Smith et al.		
D659,939 S	5/2012	Saitou et al.		D811,444 S	2/2018	Chia et al.		
D685,397 S	7/2013	Anderson et al.		D811,445 S	2/2018	Chia et al.		
D685,398 S	7/2013	Graham et al.		D811,446 S	2/2018	Chia et al.		
D689,028 S	9/2013	Ewringmann		D812,576 S	3/2018	Gustavsson et al.		
D689,443 S	9/2013	Ewringmann		D826,287 S	8/2018	Johnson		
D742,932 S *	11/2015	Ewringmann	.....	D847,869 S	5/2019	Sachtleben et al.		
D742,935 S	11/2015	Ewringmann		D847,870 S	5/2019	Sachtleben et al.		
D742,936 S	11/2015	Ewringmann		D856,375 S *	8/2019	Mueller	.....	D15/19
D753,191 S *	4/2016	Ewringmann	.....	2006/0025914 A1	2/2006	Buschmann		
D754,616 S	4/2016	Ewringmann et al.		2006/0045624 A1 *	3/2006	Nelson	.....	E01C 19/407
D754,757 S *	4/2016	Ewringmann	.....					404/95
				2016/0266610 A1	9/2016	Nessel		
				2017/0210603 A1	7/2017	Maffeis et al.		

\* cited by examiner

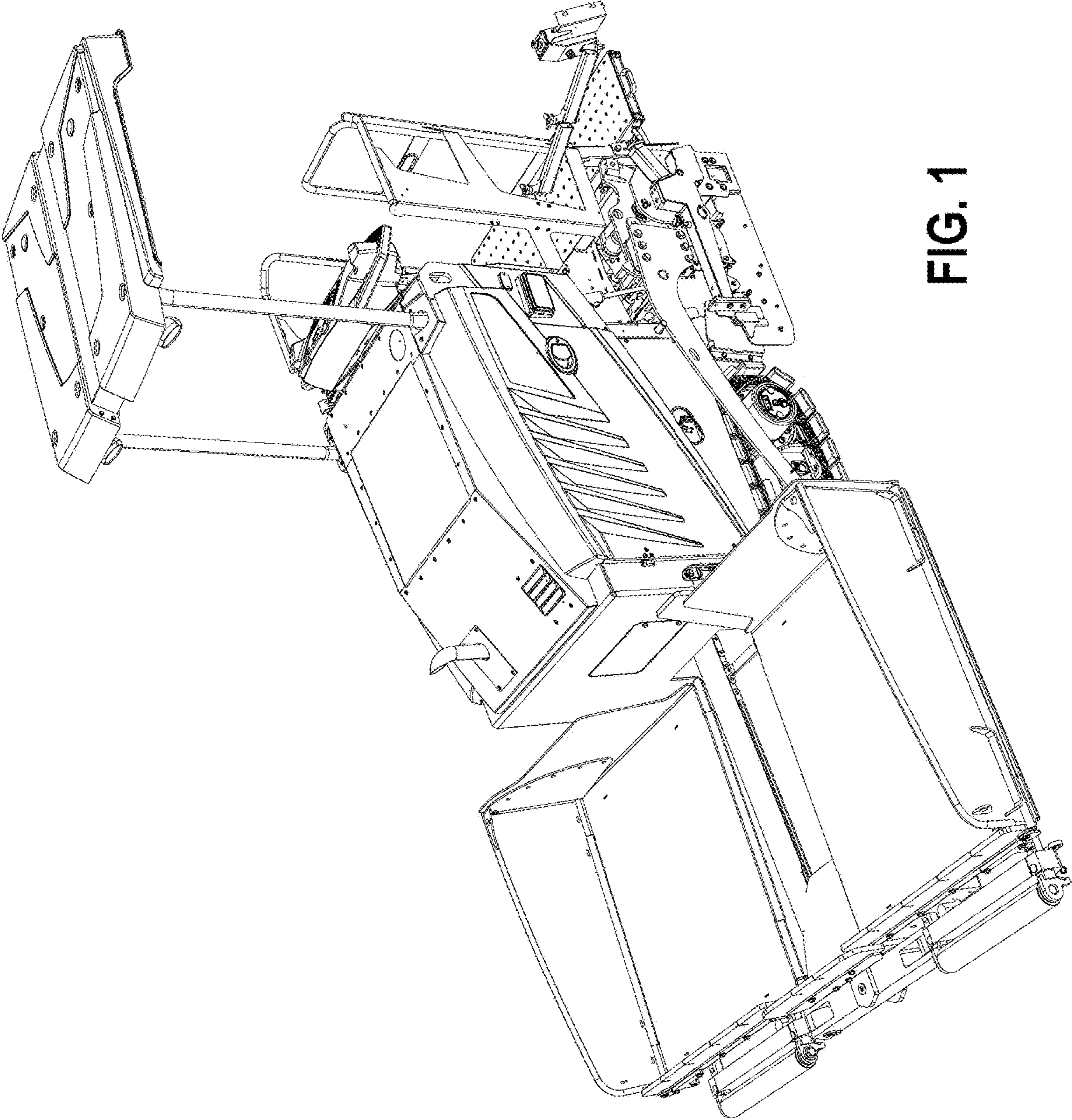


FIG. 1

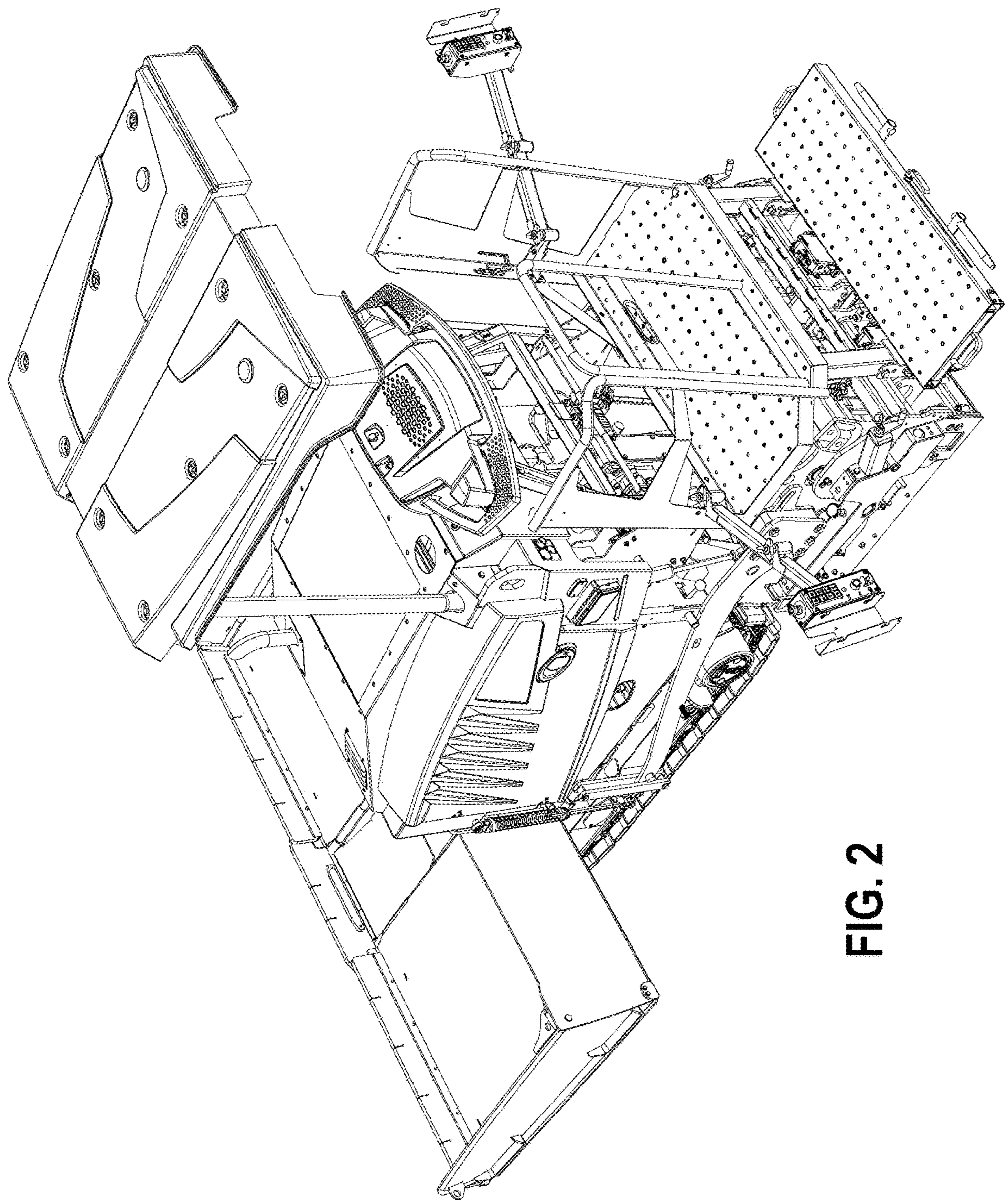


FIG. 2

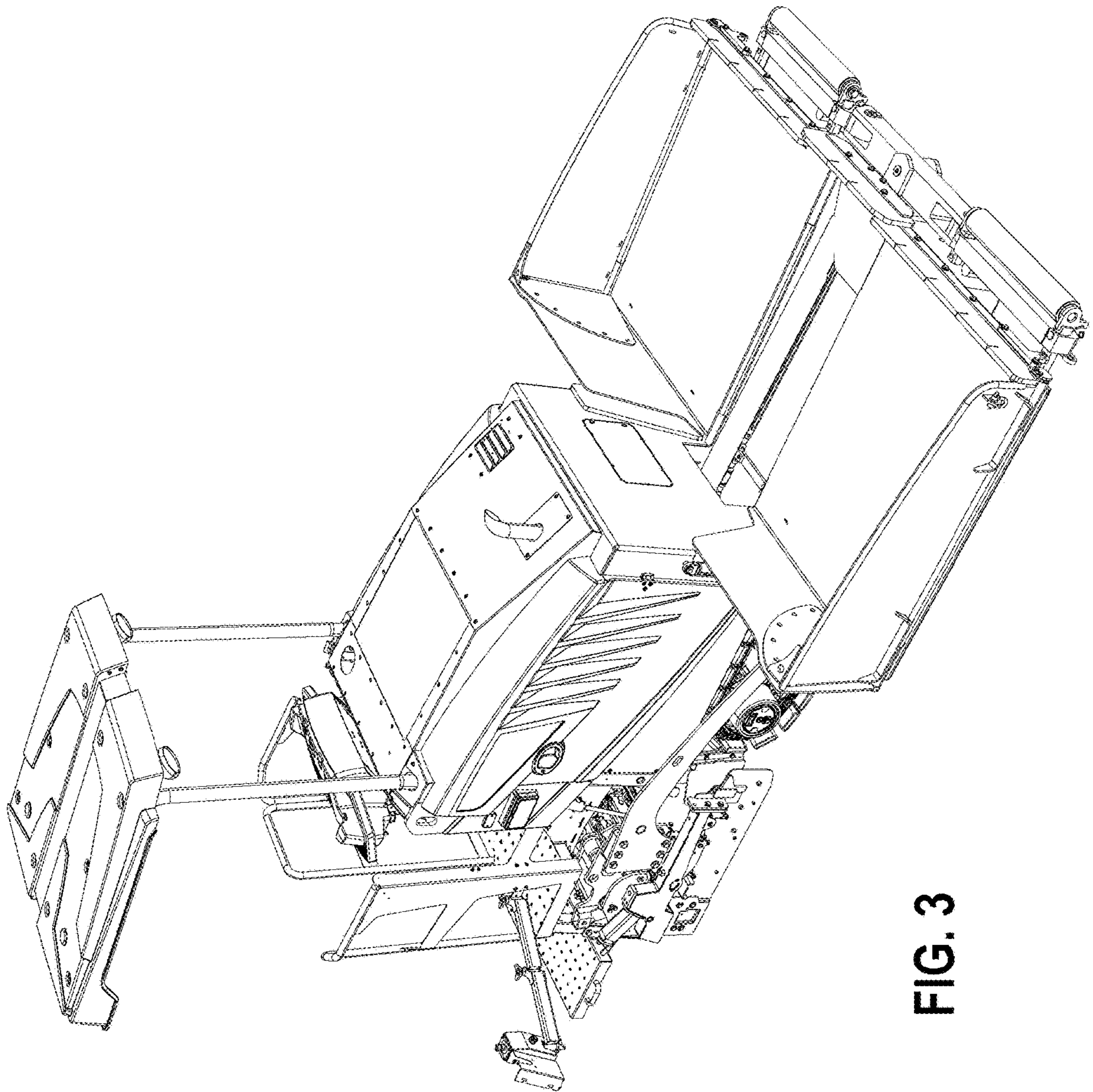


FIG. 3

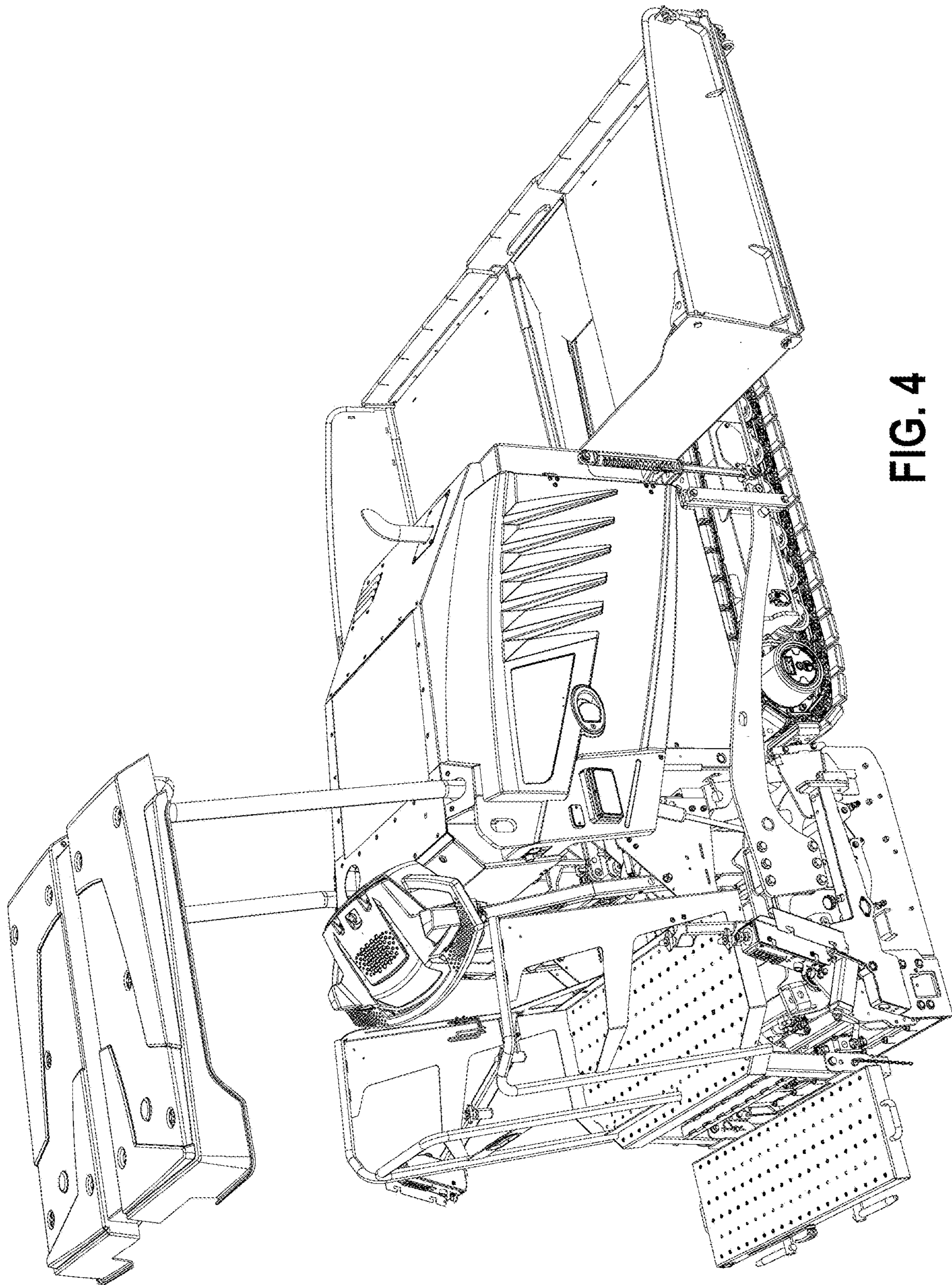


FIG. 4

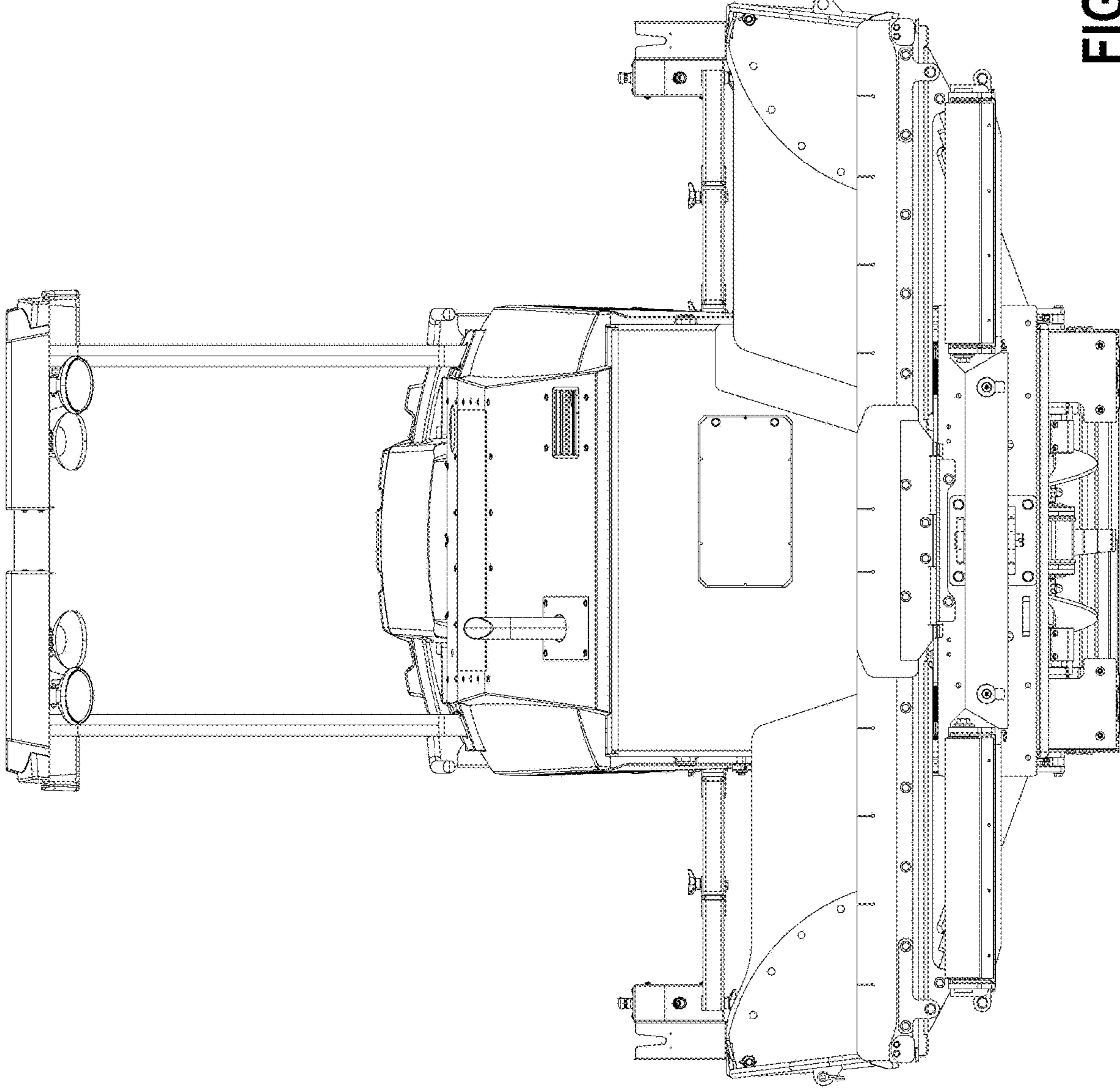


FIG. 5

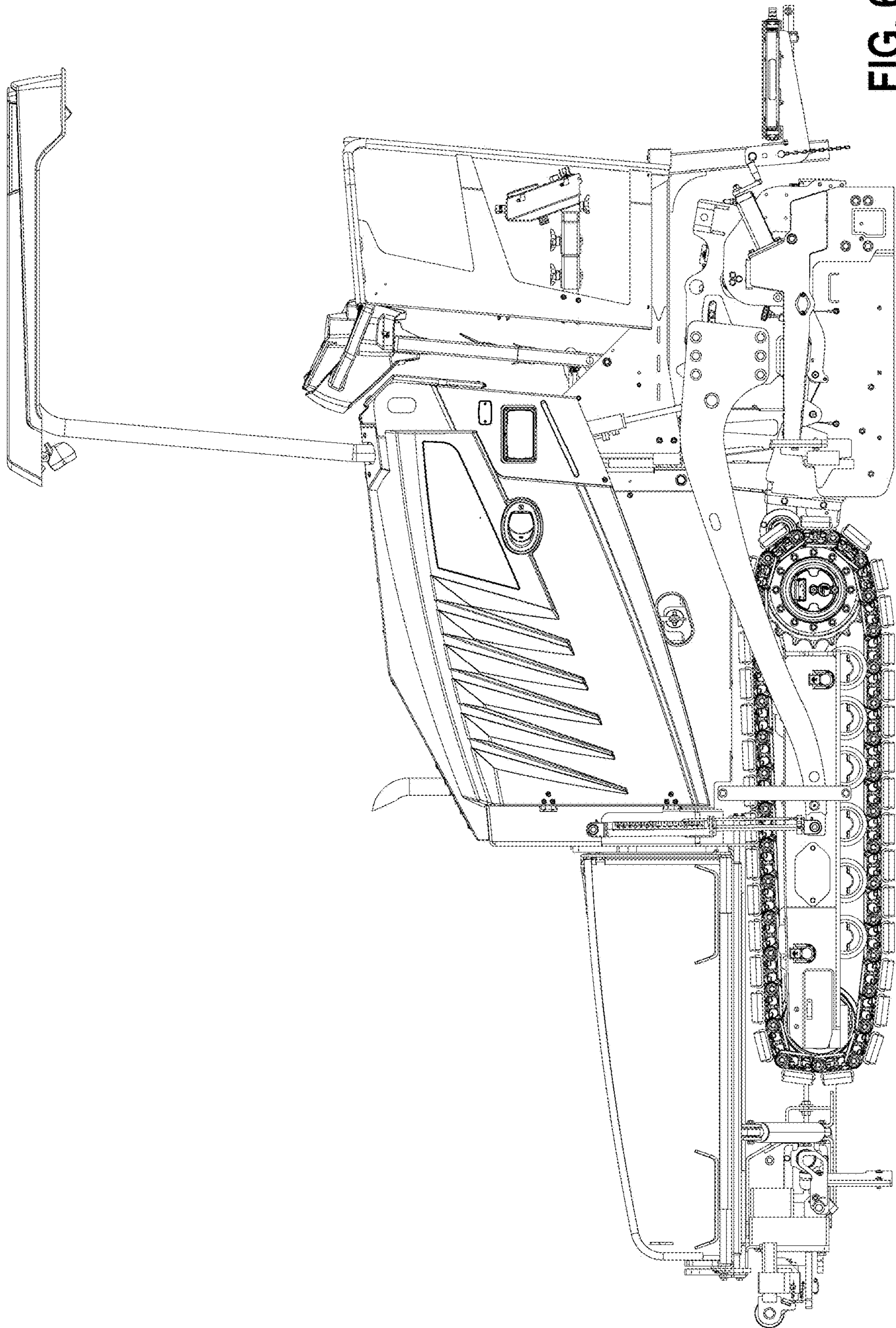


FIG. 6



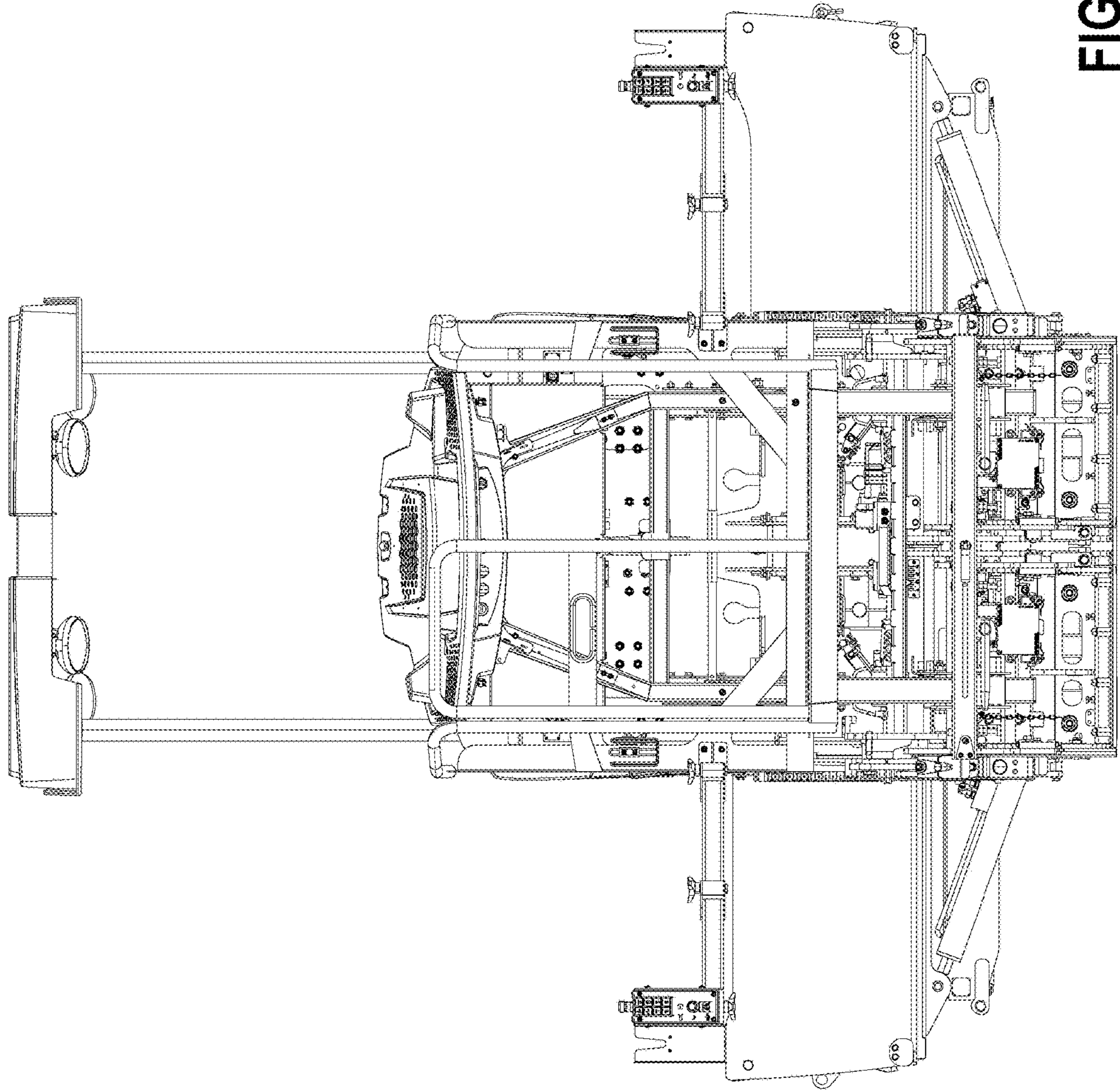


FIG. 7

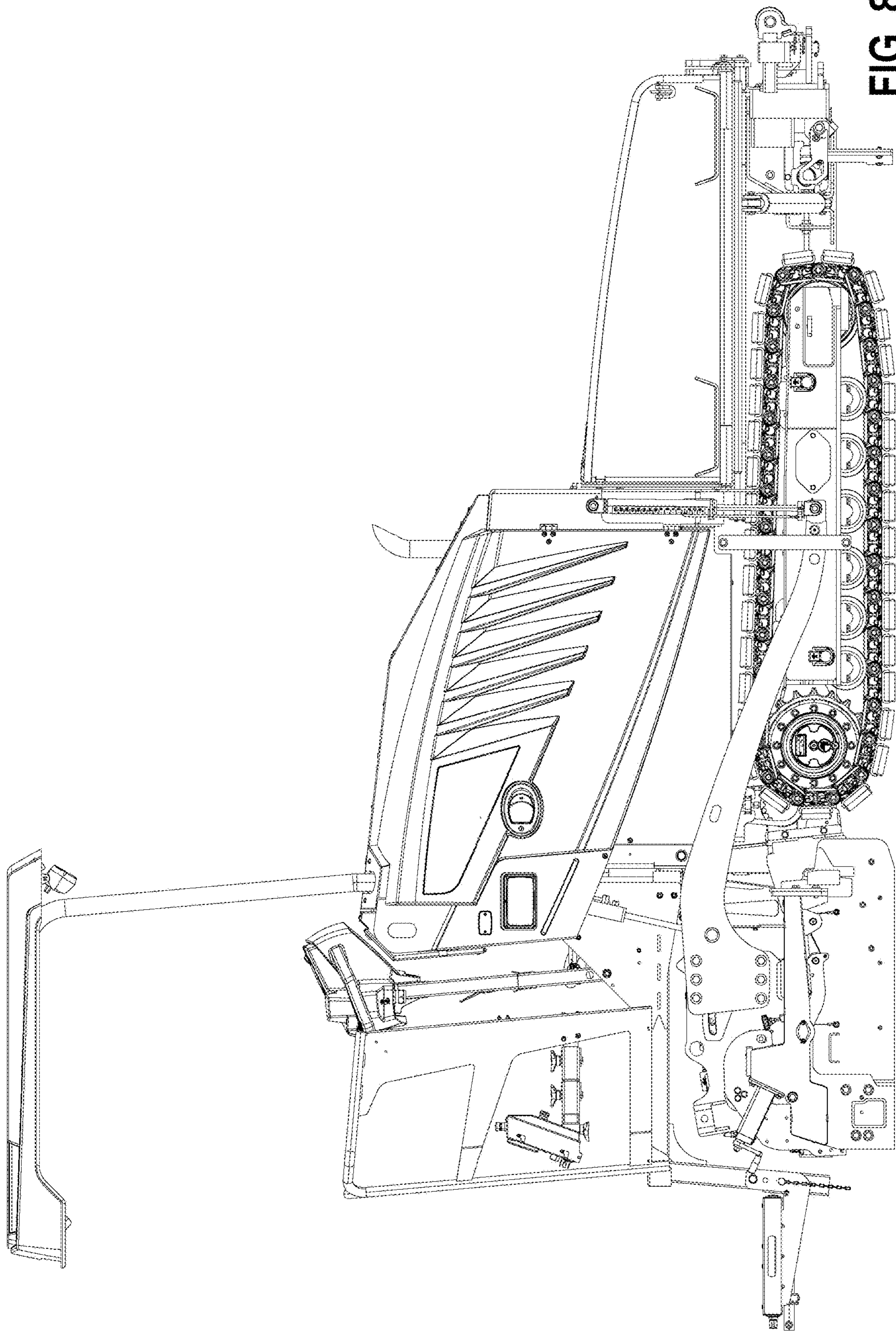


FIG. 8

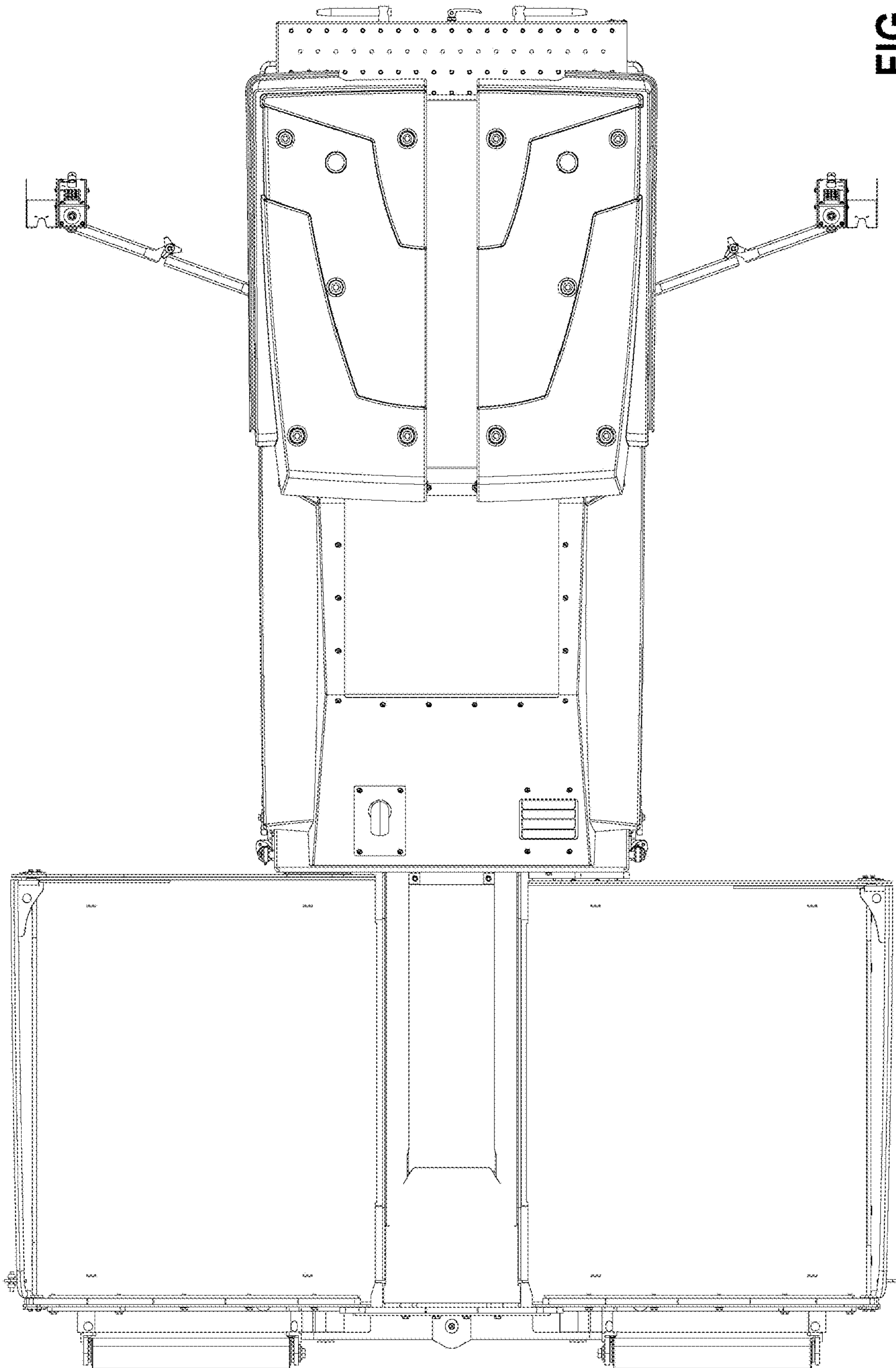


FIG. 9

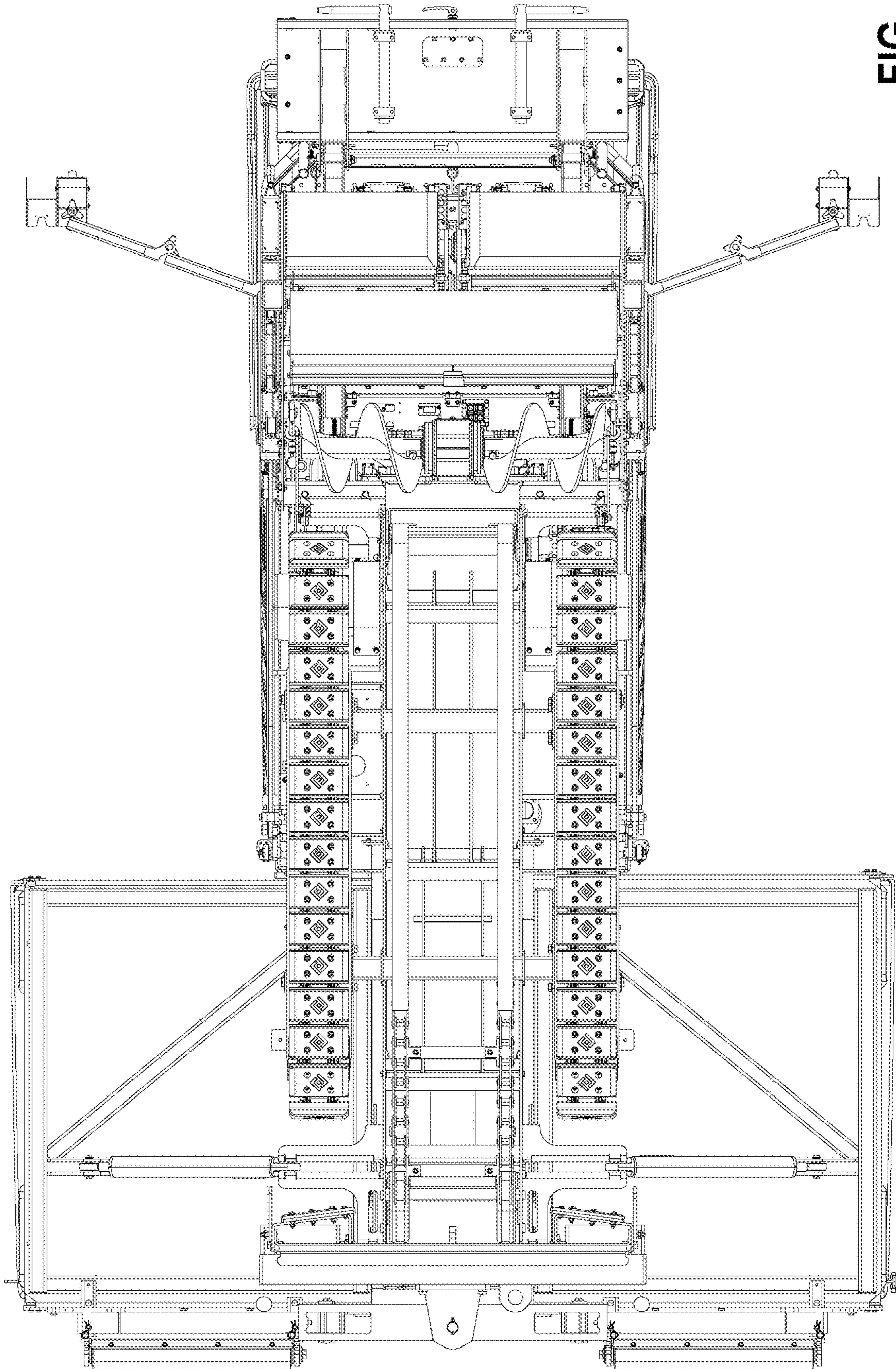


FIG. 10