



US00D888780S

(12) **United States Design Patent**  
**Loew**

(10) **Patent No.:** **US D888,780 S**  
(45) **Date of Patent:** **\*\* Jun. 30, 2020**

- (54) **PAVER**
- (71) Applicant: **BOMAG GmbH**, Boppard (DE)
- (72) Inventor: **Roland Loew**, Klein-Winternheim (DE)
- (73) Assignee: **BOMAG GmbH**, Boppard (DE)
- (\*\*) Term: **15 Years**
- (21) Appl. No.: **29/671,514**
- (22) Filed: **Nov. 28, 2018**
- (30) **Foreign Application Priority Data**

- 6,007,272 A \* 12/1999 Macku ..... E01C 19/1077  
366/319
- 6,071,040 A \* 6/2000 Macku ..... E01C 19/1077  
404/108
- D432,963 S 10/2000 Meinhardt
- D454,567 S 3/2002 Hayes et al.
- D454,878 S 3/2002 Hayes et al.
- D518,082 S 3/2006 Muto
- D525,212 S 7/2006 Kim
- D525,409 S 7/2006 Cantrill et al.
- D527,393 S 8/2006 Maas et al.
- D533,569 S 12/2006 Mursch
- D553,580 S 10/2007 Hobson
- D557,218 S 12/2007 Ewringmann
- D576,563 S 9/2008 Kaluza
- D578,142 S \* 10/2008 Ewringmann ..... D15/22
- D587,212 S 2/2009 Hartwick
- D590,122 S 4/2009 Shaw et al.

Jun. 4, 2018 (EM) ..... 005295680-0006

- (51) **LOC (12) Cl.** ..... **15-03**
- (52) **U.S. Cl.**  
USPC ..... **D15/22**
- (58) **Field of Classification Search**  
USPC ..... D15/10, 13, 19, 22-26; 404/75, 108,  
404/101, 102, 110, 118, 87.05  
CPC ..... E01C 19/18; E01C 19/00; E01C 19/182;  
E01C 19/22; E01C 19/42; E01C 19/20  
See application file for complete search history.

*Primary Examiner* — Mark A Goodwin  
(74) *Attorney, Agent, or Firm* — Wood Herron & Evans  
LLP

(57) **CLAIM**

The ornamental design for a paver, as shown and described.

(56) **References Cited**

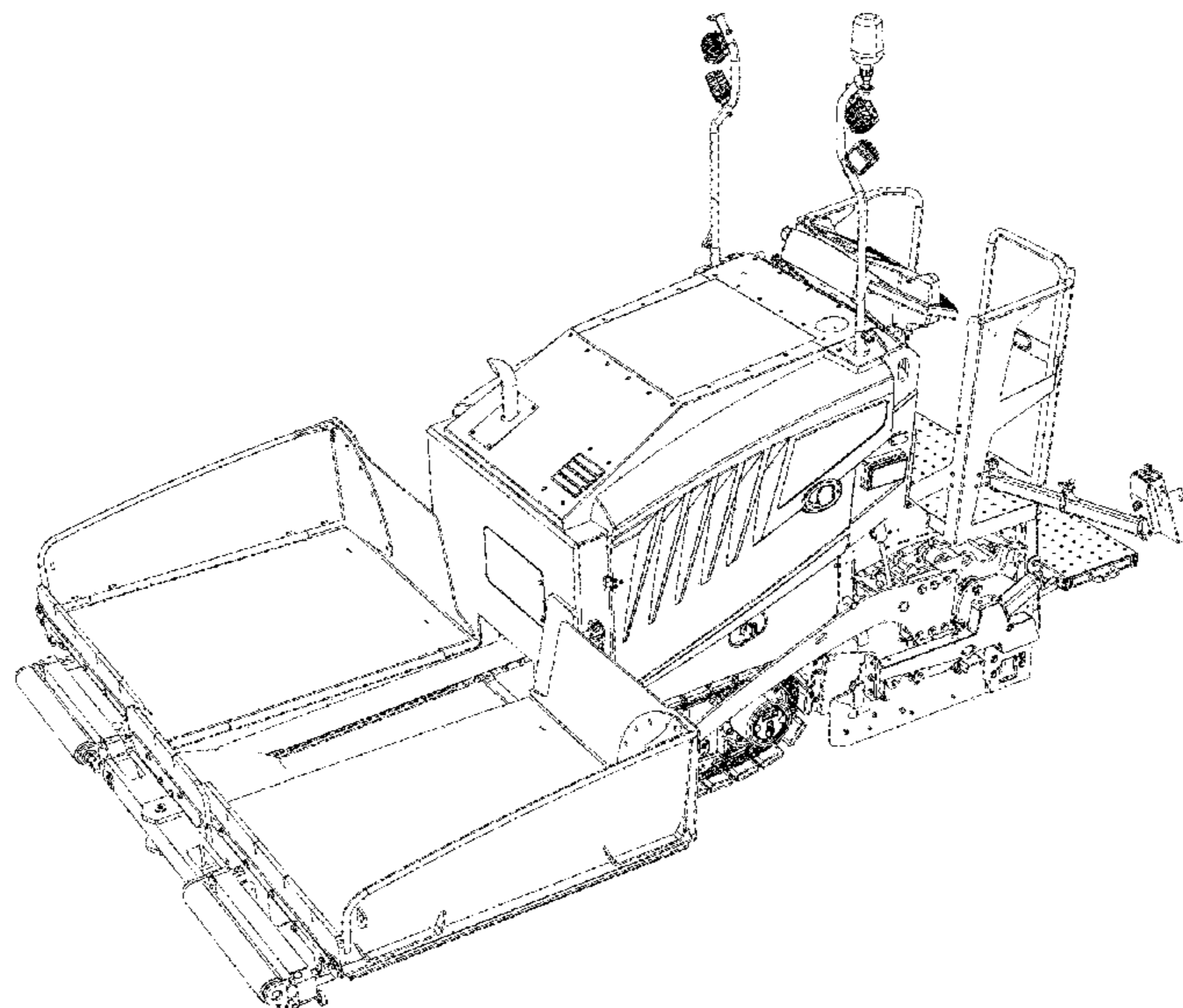
**DESCRIPTION**

U.S. PATENT DOCUMENTS

- D135,005 S \* 2/1943 Baumgardner ..... D15/10
- D239,966 S \* 5/1976 Swisher, Jr. et al. .... D15/22
- 3,997,277 A \* 12/1976 Swisher, Jr. .... E01C 19/4873  
404/84.05
- 5,009,546 A \* 4/1991 Domenighetti ..... B62D 55/02  
404/110
- 5,201,603 A \* 4/1993 Bassett ..... E01C 19/48  
404/110
- 5,201,604 A \* 4/1993 Ferguson ..... E01C 19/008  
404/110
- 5,511,900 A \* 4/1996 Macku ..... E01C 19/42  
404/101
- D398,289 S 9/1998 Burke

FIG. 1 is a right front perspective view of a paver showing my new design;  
FIG. 2 is a right rear perspective view thereof;  
FIG. 3 is a left front perspective view thereof;  
FIG. 4 is a left rear perspective view thereof;  
FIG. 5 is a front elevation view thereof;  
FIG. 6 is a right-side elevation view thereof;  
FIG. 7 is a rear elevation view thereof;  
FIG. 8 is a left-side elevation view thereof;  
FIG. 9 is a top plan view thereof; and,  
FIG. 10 is a bottom plan view thereof.

**1 Claim, 10 Drawing Sheets**



(56)

References Cited

U.S. PATENT DOCUMENTS

D599,825 S 9/2009 Schneider et al.  
 D632,308 S \* 2/2011 Kopacz ..... D15/19  
 D650,396 S 12/2011 Ewringmann  
 D652,063 S 1/2012 Takeuchi et al.  
 D652,432 S 1/2012 Kopacz et al.  
 D652,433 S 1/2012 Takeuchi et al.  
 D659,343 S 5/2012 Saitou et al.  
 D659,939 S 5/2012 Saitou et al.  
 D685,397 S 7/2013 Anderson et al.  
 D685,398 S 7/2013 Graham et al.  
 D689,028 S 9/2013 Ewringmann  
 D689,443 S 9/2013 Ewringmann  
 D742,932 S \* 11/2015 Ewringmann ..... D15/22  
 D742,935 S 11/2015 Ewringmann  
 D742,936 S 11/2015 Ewringmann  
 D753,191 S \* 4/2016 Ewringmann ..... D15/22  
 D754,616 S 4/2016 Ewringmann et al.  
 D754,757 S \* 4/2016 Ewringmann ..... D15/22

D755,252 S \* 5/2016 Ewringmann ..... D15/22  
 D767,643 S 9/2016 Sohngen  
 D769,334 S 10/2016 Ewringmann  
 D770,541 S 11/2016 Ewringmann  
 D773,535 S 12/2016 Ewringmann  
 D777,623 S 1/2017 Anderton et al.  
 D786,945 S 5/2017 Smith et al.  
 D811,444 S 2/2018 Chia et al.  
 D811,445 S 2/2018 Chia et al.  
 D811,446 S 2/2018 Chia et al.  
 D812,576 S 3/2018 Gustavsson et al.  
 D826,287 S 8/2018 Johnson  
 D847,869 S 5/2019 Sachtleben et al.  
 D847,870 S 5/2019 Sachtleben et al.  
 D856,375 S \* 8/2019 Mueller ..... D15/19  
 2006/0025914 A1 2/2006 Buschmann  
 2006/0045624 A1 \* 3/2006 Nelson ..... E01C 19/407  
 404/95  
 2016/0266610 A1 9/2016 Nessel  
 2017/0210603 A1 7/2017 Maffeis et al.

\* cited by examiner

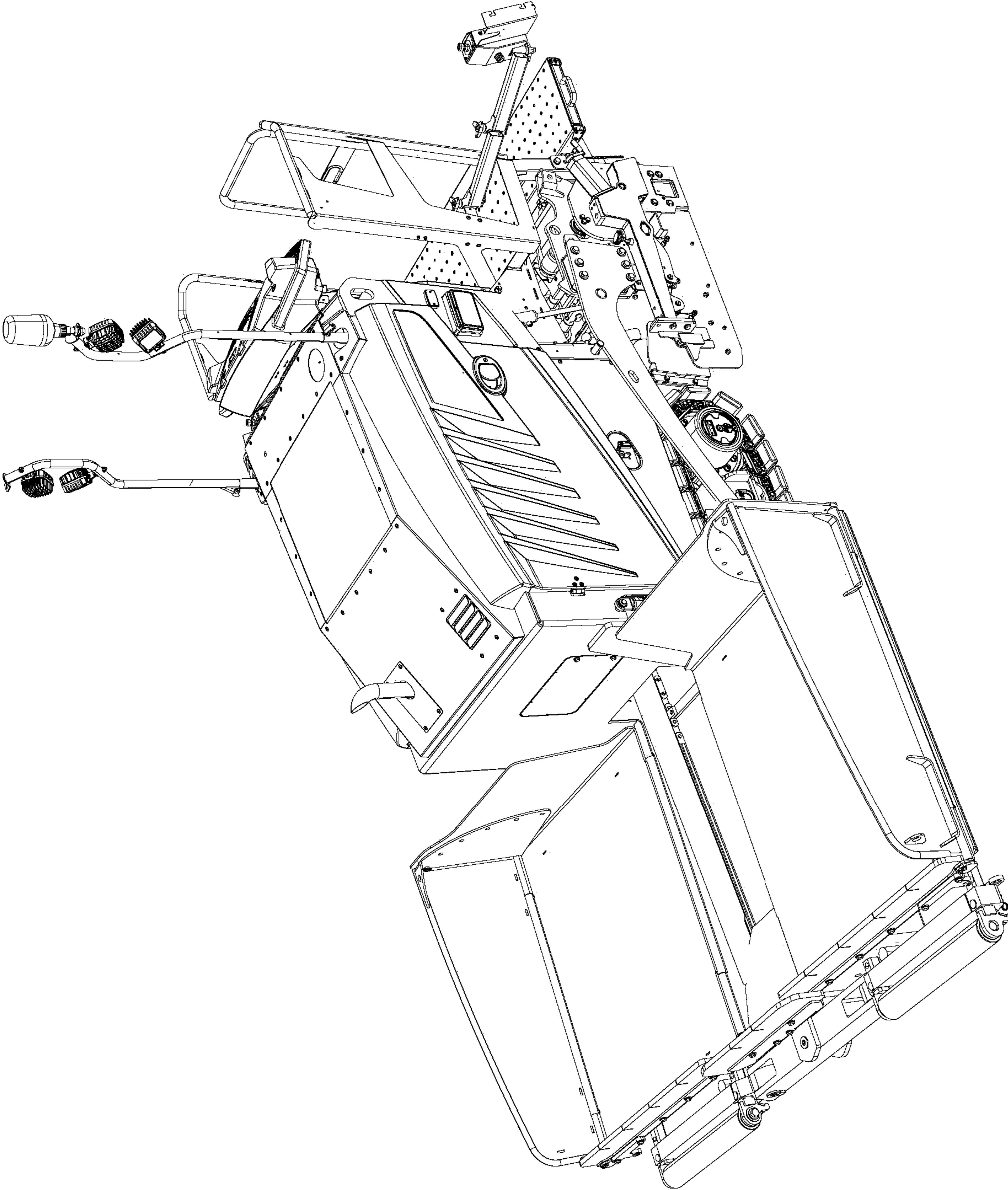
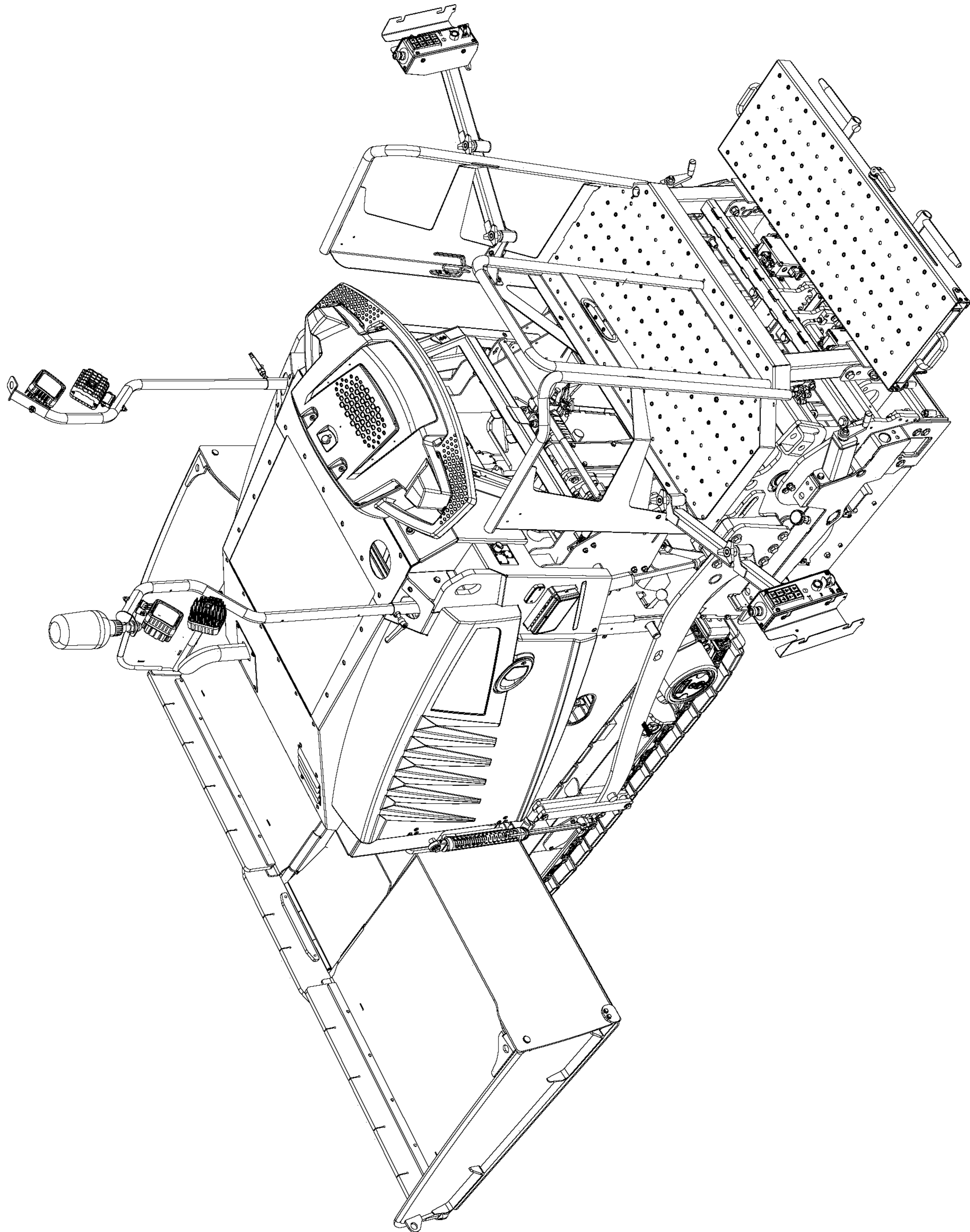


FIG. 1

FIG. 2



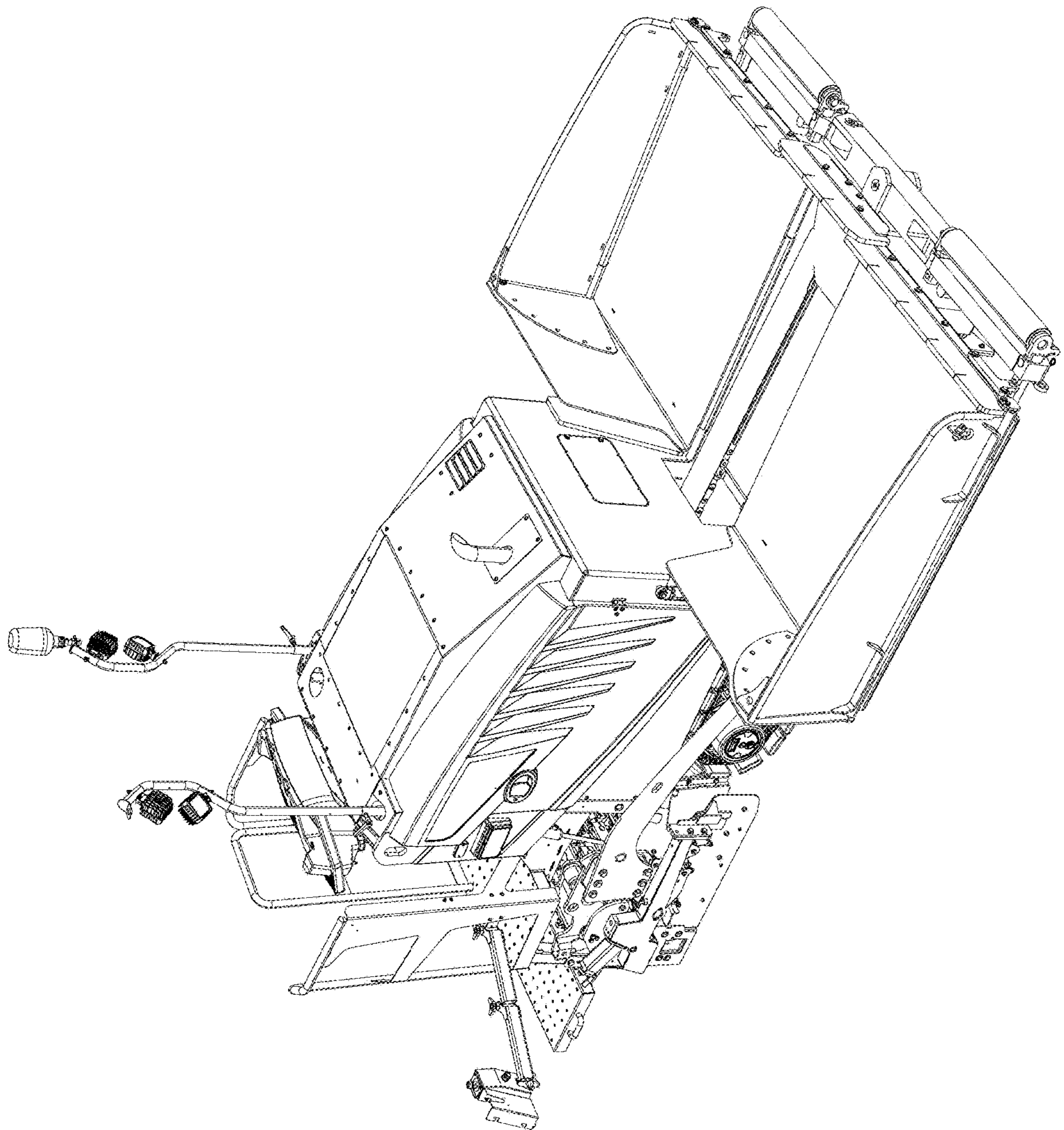


FIG. 3

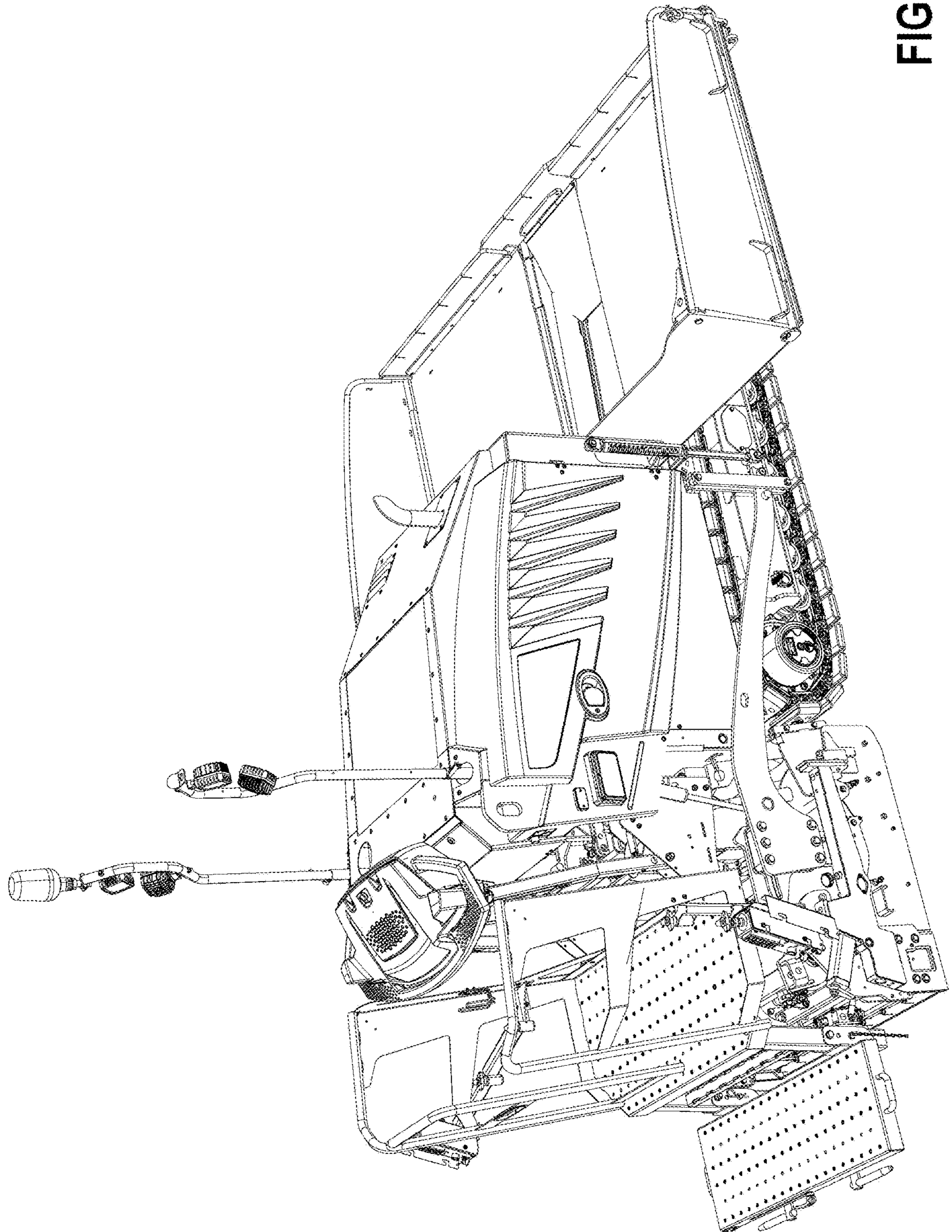


FIG. 4

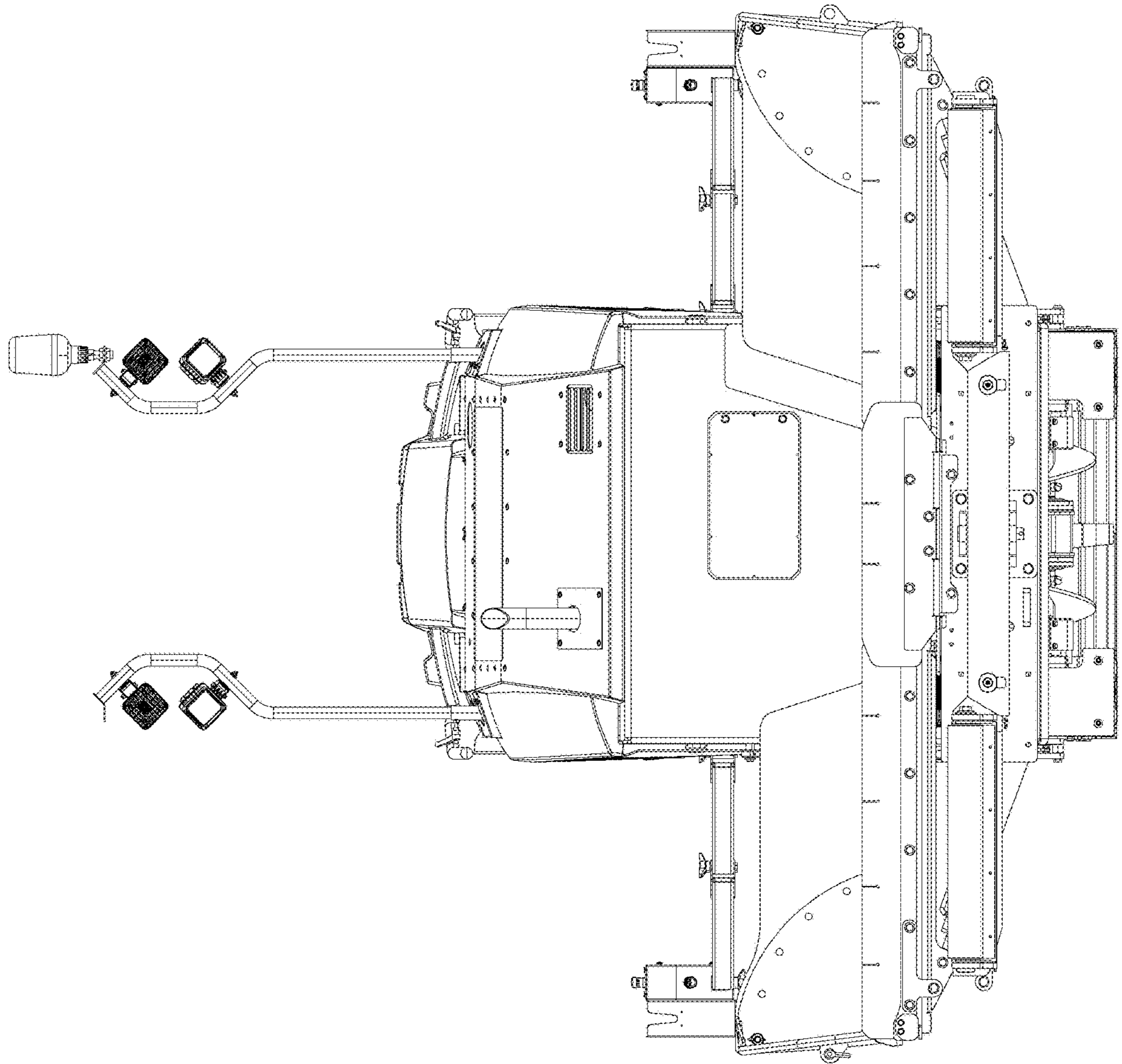


FIG. 5

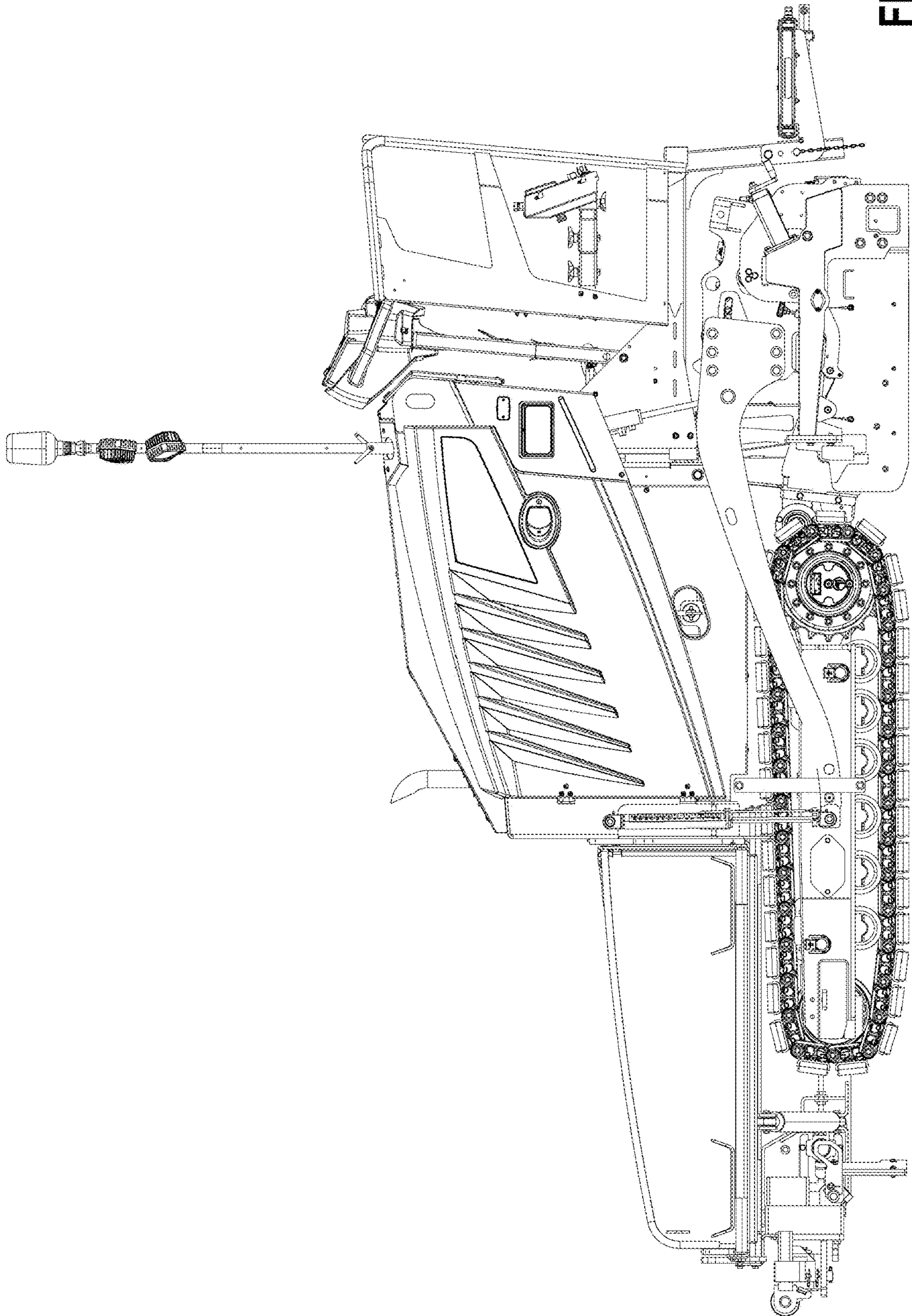


FIG. 6



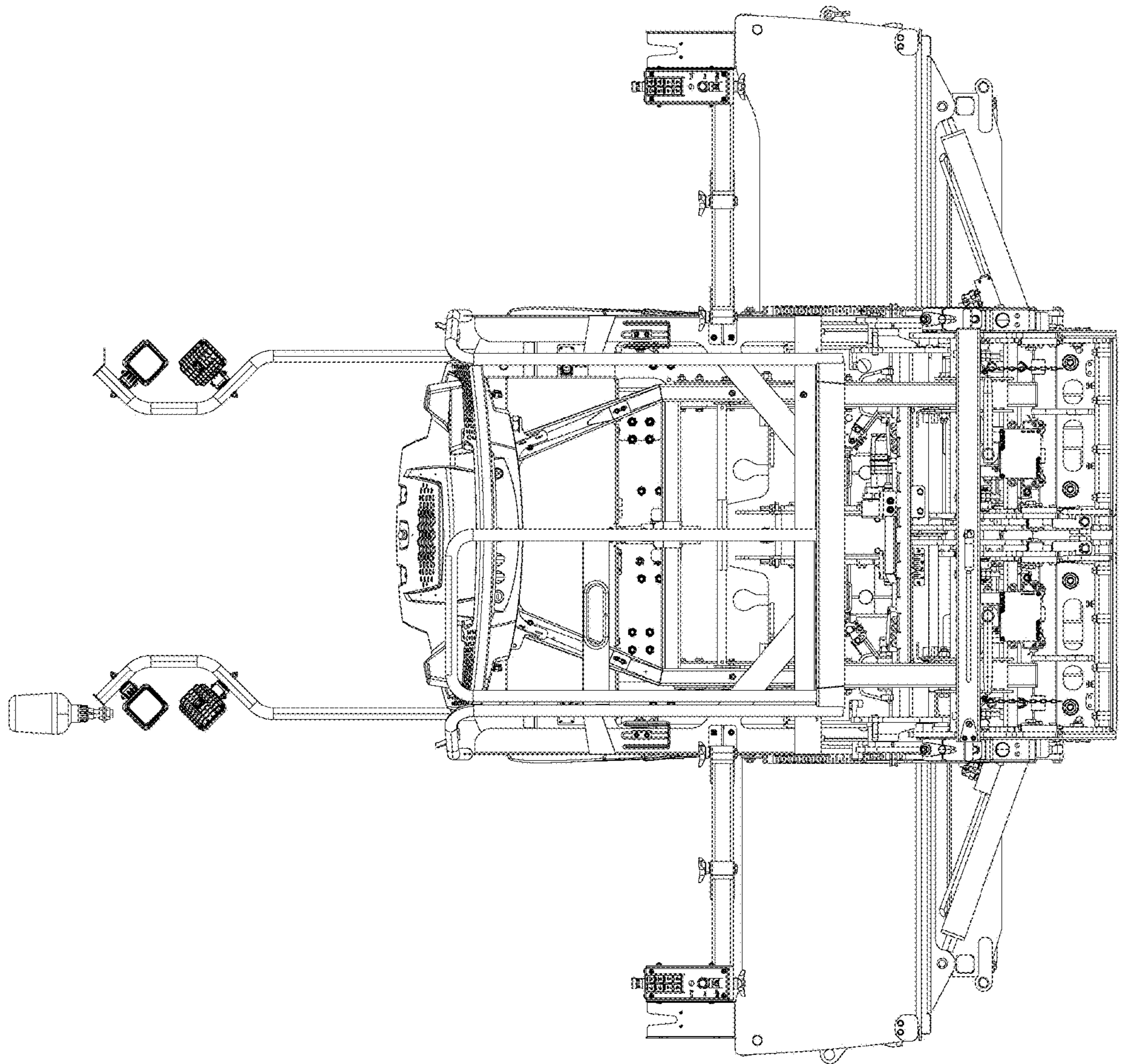


FIG. 7

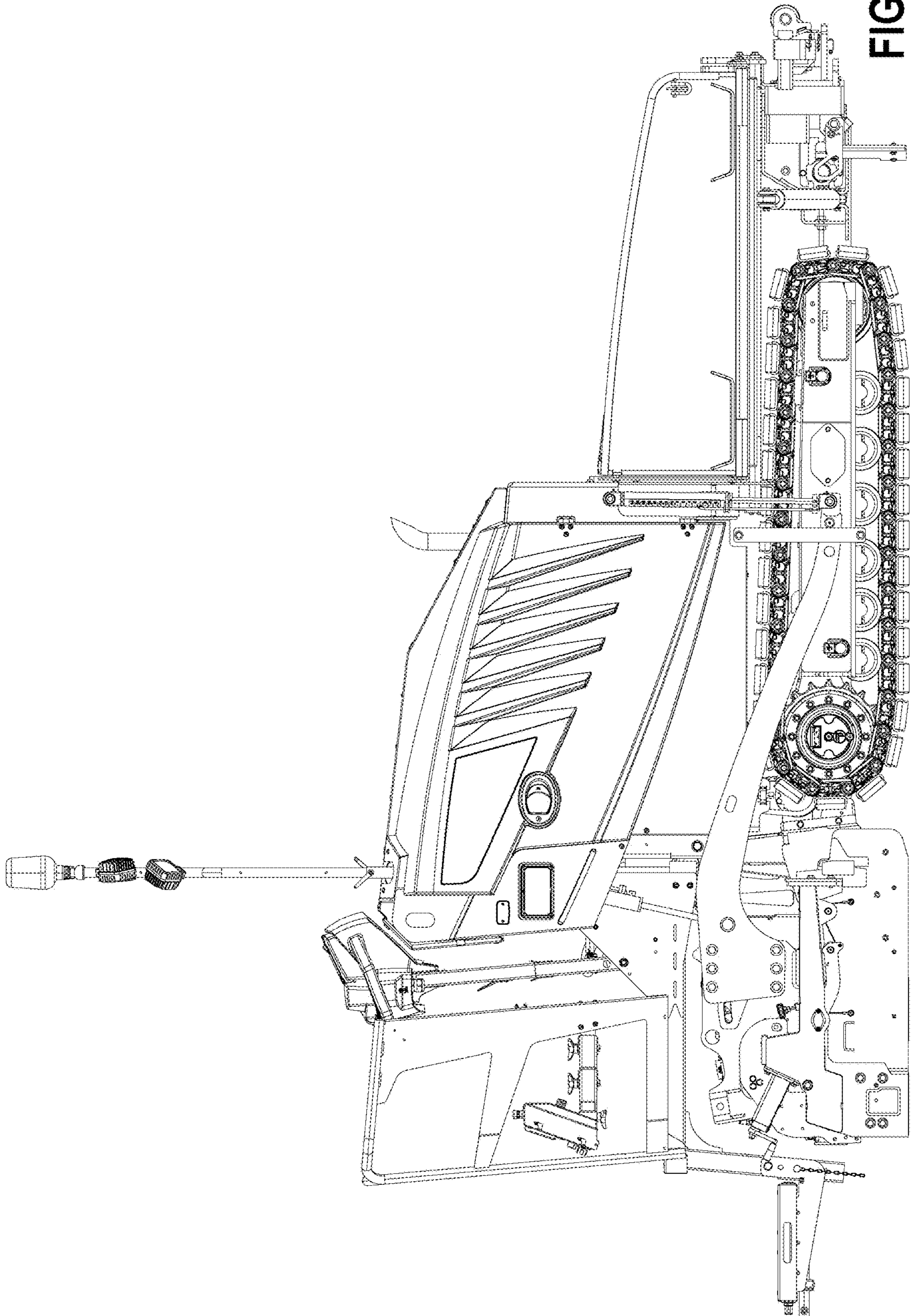


FIG. 8

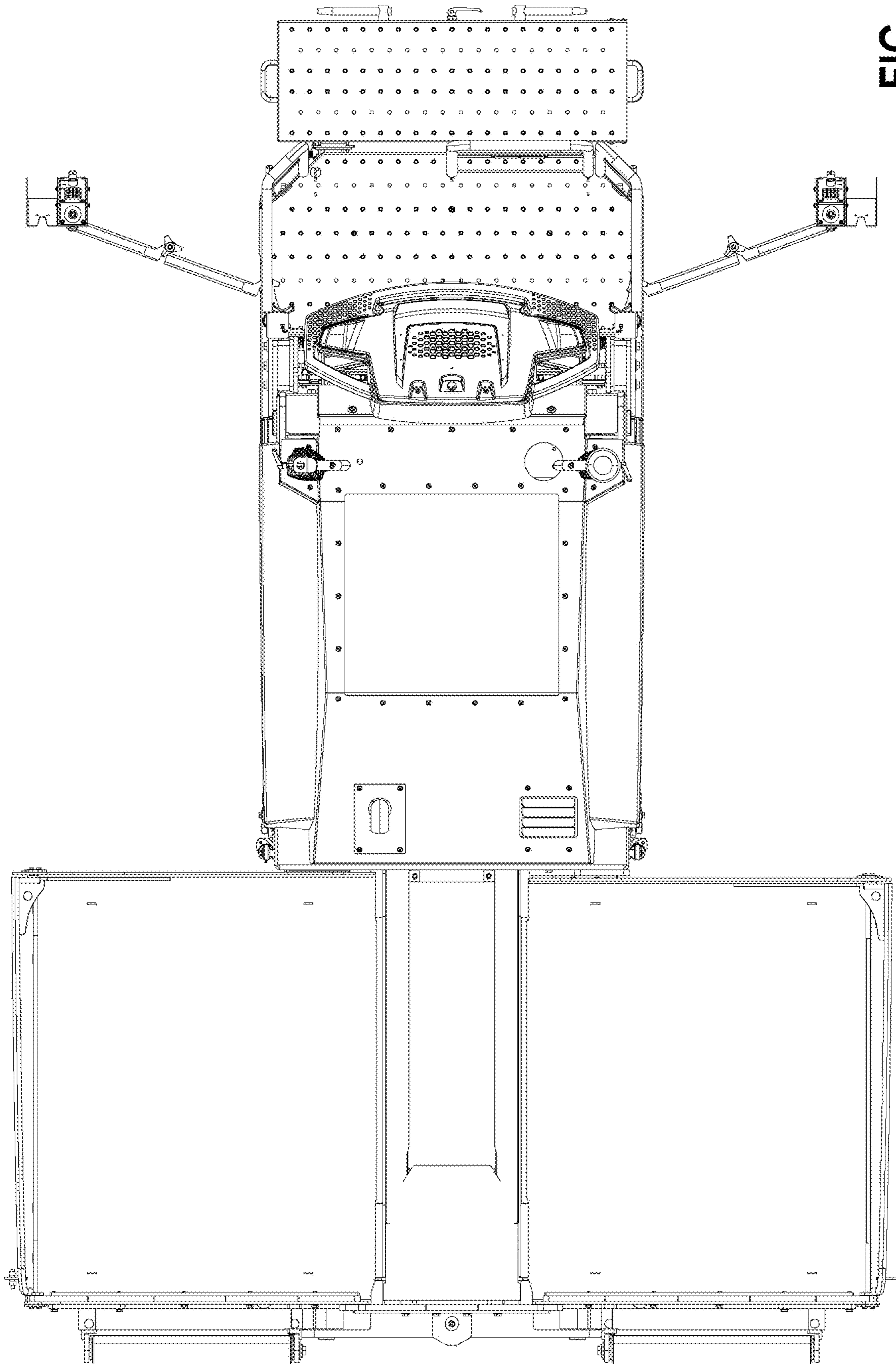


FIG. 9

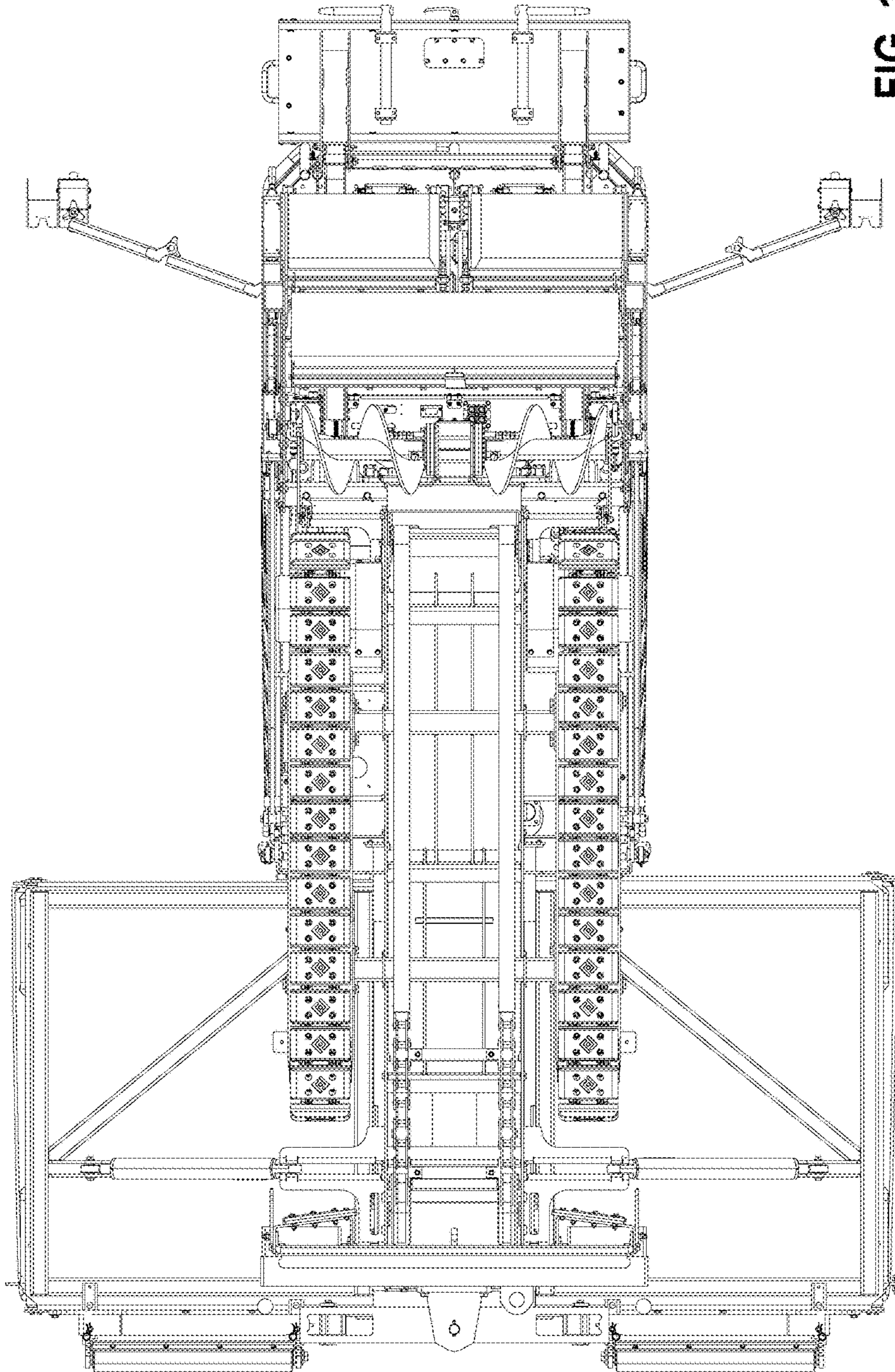


FIG. 10