



US00D888776S

(12) **United States Design Patent**  
**De Bontridder**

(10) **Patent No.:** **US D888,776 S**  
(45) **Date of Patent:** **\*\* Jun. 30, 2020**

(54) **COMPRESSOR**

(71) Applicant: **ATLAS COPCO AIRPOWER,**  
**NAAMLOZE VENNOOTSCHAP,**  
Wilrijk (BE)

(72) Inventor: **Thomas De Bontridder,** Wilrijk (BE)

(73) Assignee: **ATLAS COPCO AIRPOWER,**  
**NAAMLOZE VENNOOTSCHAP,**  
Wilrijk (BE)

(\*\*) Term: **15 Years**

(21) Appl. No.: **29/665,108**

(22) Filed: **Sep. 30, 2018**

(30) **Foreign Application Priority Data**

Apr. 12, 2018 (EM) ..... 005230703-0001

(51) **LOC (12) Cl.** ..... **15-02**

(52) **U.S. Cl.**  
USPC ..... **D15/9**

(58) **Field of Classification Search**  
USPC ..... D15/7-9; D23/231, 232, 225  
CPC ..... F04B 41/00-41/06; F04B 31/00; F04B  
35/00; F04B 53/92; F04B 1/005; F02M  
37/04; F02M 37/14  
See application file for complete search history.

(56) **References Cited**

**U.S. PATENT DOCUMENTS**

D455,442 S \* 4/2002 Call ..... D15/9  
D550,721 S \* 9/2007 Tanaka ..... D15/9

D613,767 S \* 4/2010 Latsos ..... D15/7  
D622,737 S \* 8/2010 Nagai ..... D15/9  
D630,652 S \* 1/2011 Yoshioka ..... D15/7  
D697,533 S \* 1/2014 Desiron ..... D15/7  
D753,728 S \* 4/2016 Ohta ..... D15/9  
D809,024 S \* 1/2018 Lopez ..... D15/9

\* cited by examiner

*Primary Examiner* — Mitchell I. Siegel

(74) *Attorney, Agent, or Firm* — Bacon & Thomas, PLLC

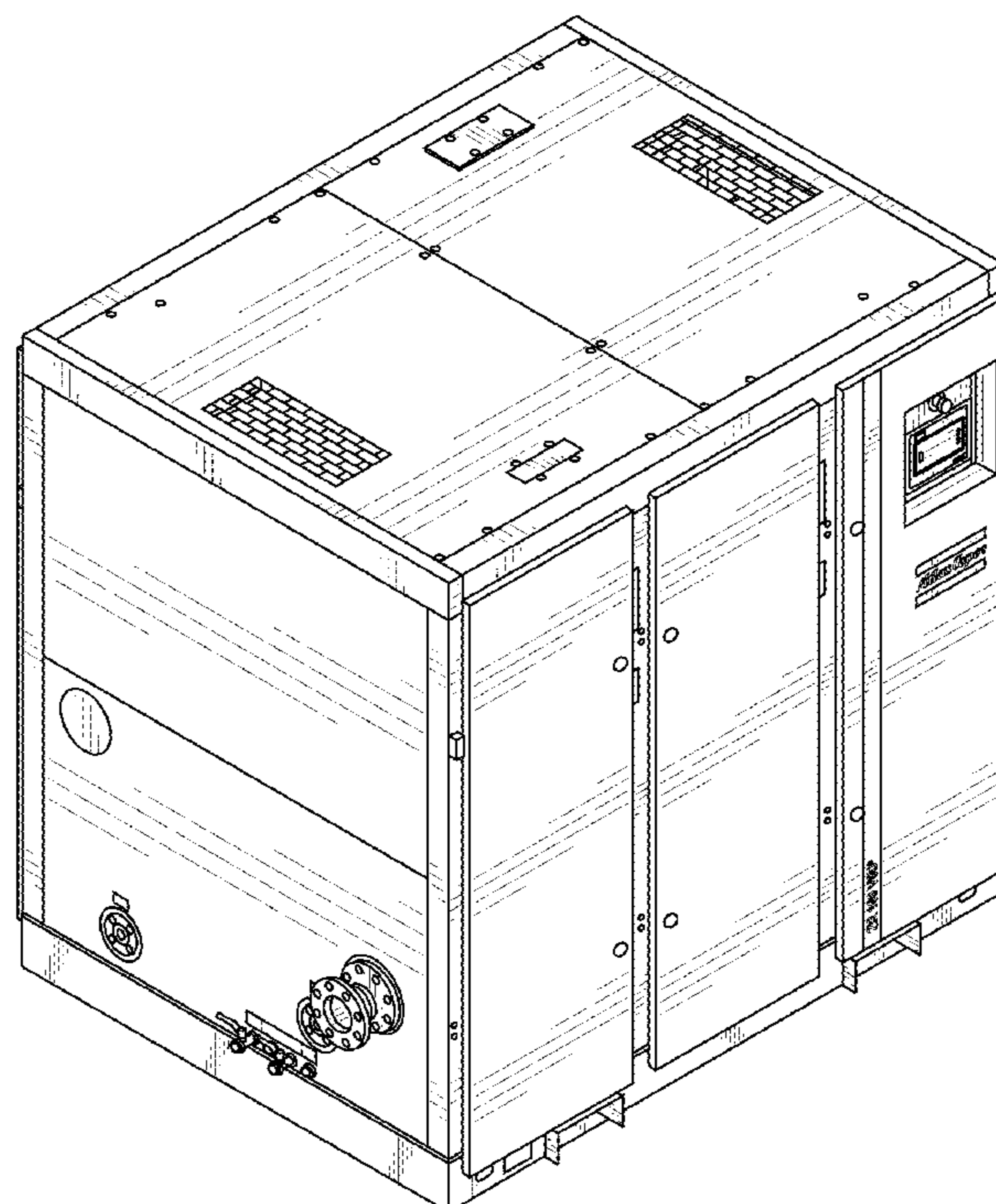
(57) **CLAIM**

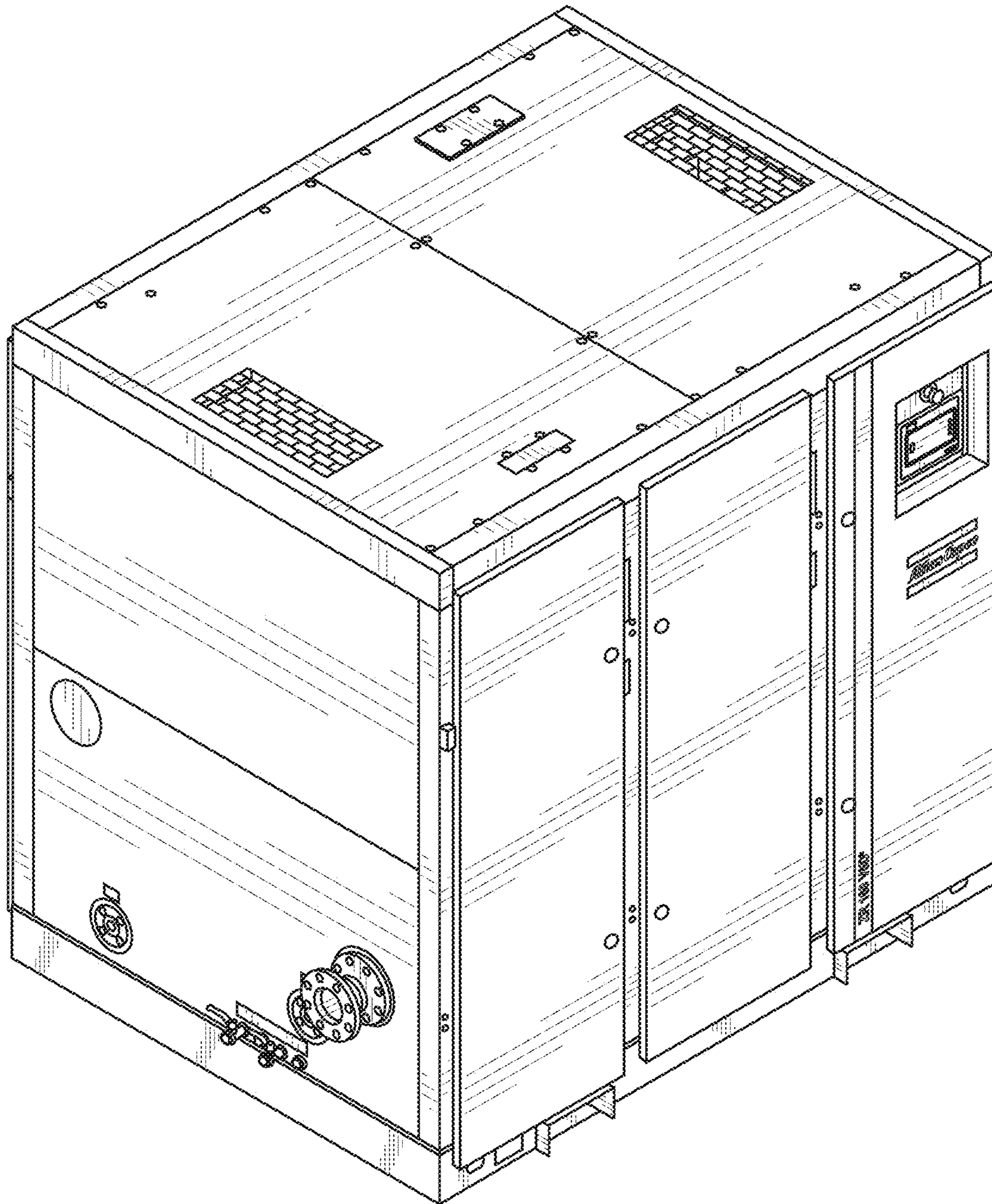
The ornamental design for compressor, as shown and described.

**DESCRIPTION**

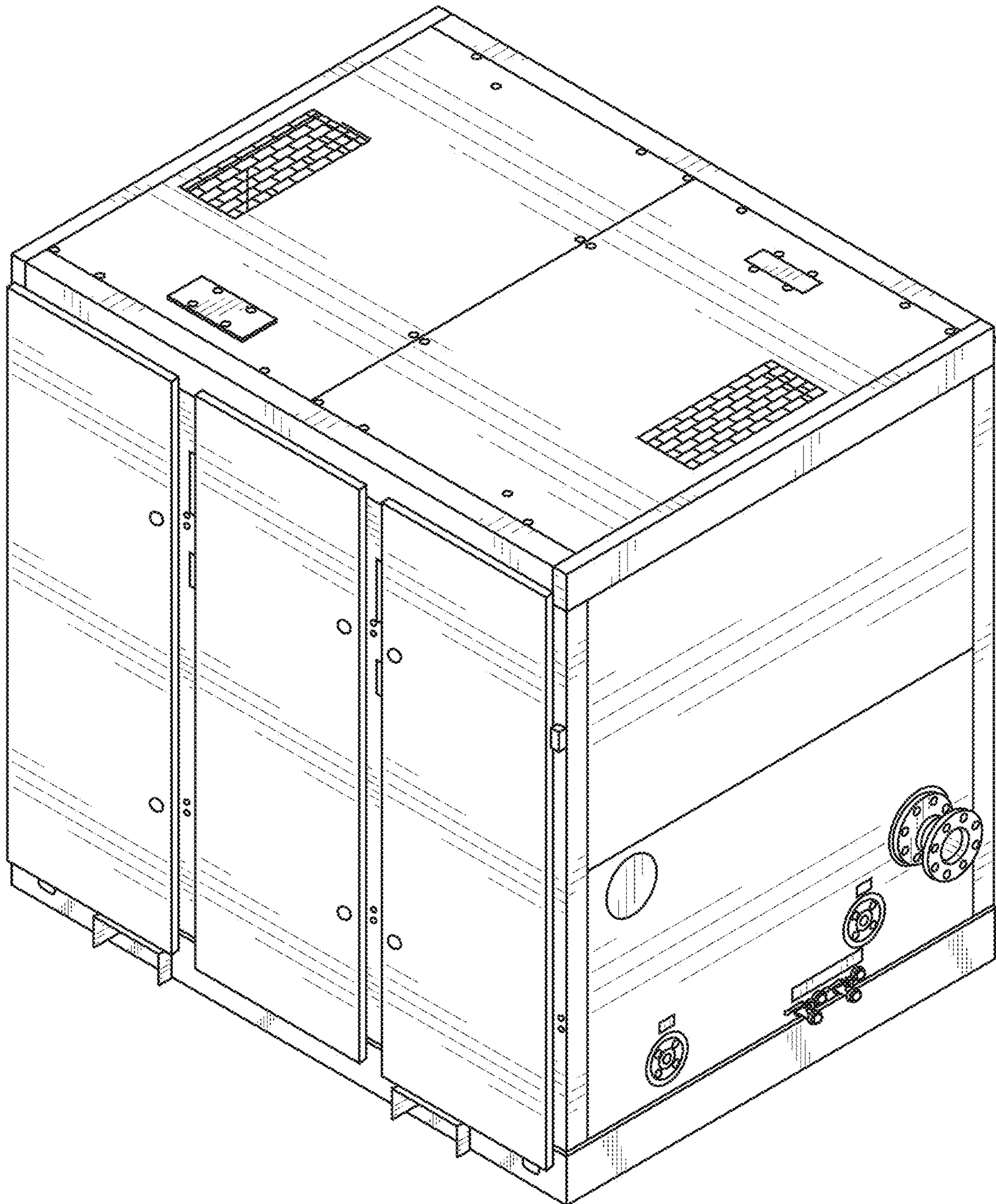
FIG. 1 is a left front perspective view of the compressor.  
FIG. 2 is a left rear perspective view of the compressor.  
FIG. 3 is a front view of the compressor.  
FIG. 4 is a left side view of the compressor.  
FIG. 5 is a rear view of the compressor.  
FIG. 6 is a right side view of the compressor; and,  
FIG. 7 is a top view of the compressor.  
The undisclosed bottom surface is plain and unornamented.  
The broken lines in the drawings illustrate portions of the article that form no part of the claimed design.

**1 Claim, 7 Drawing Sheets**

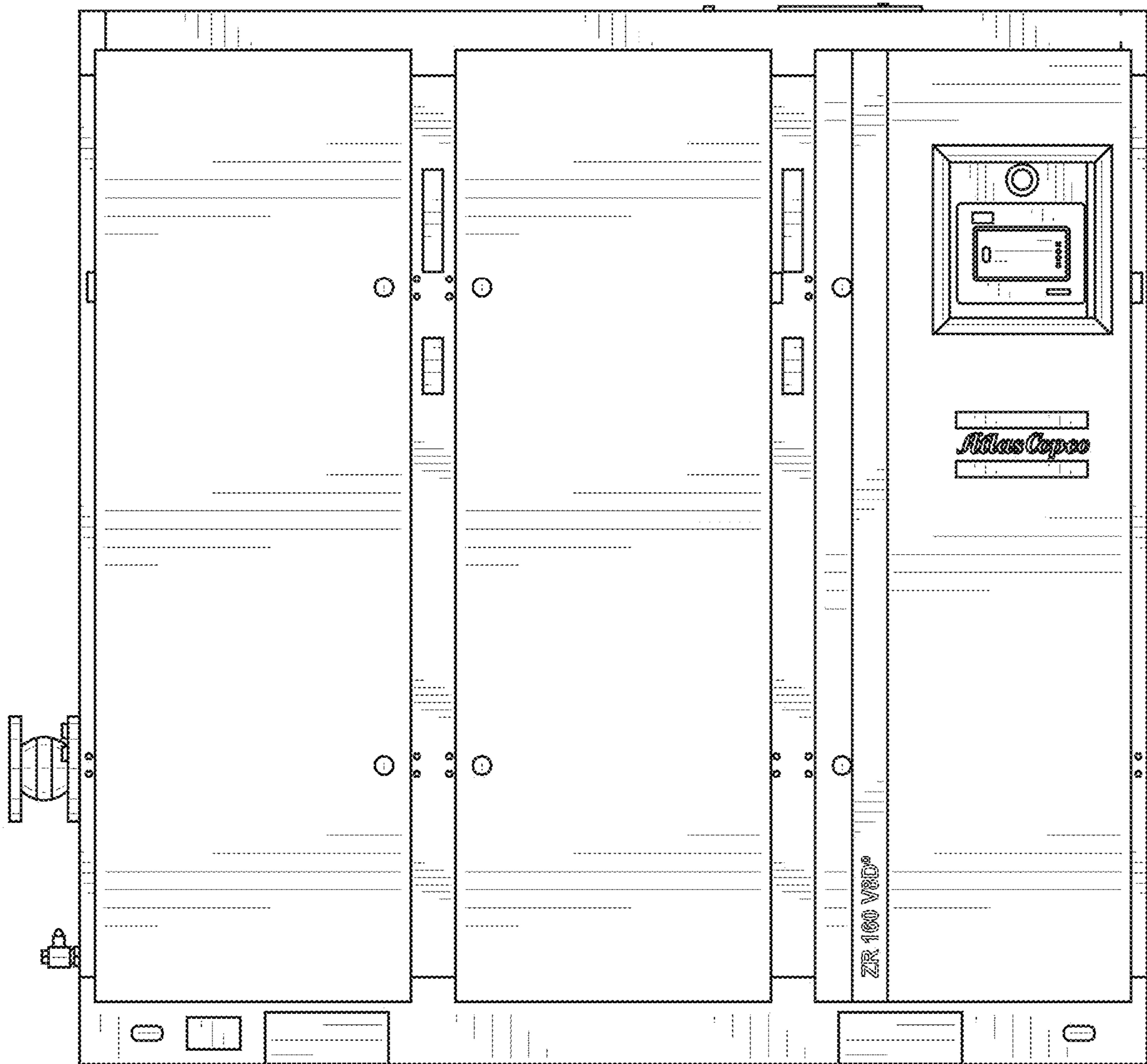




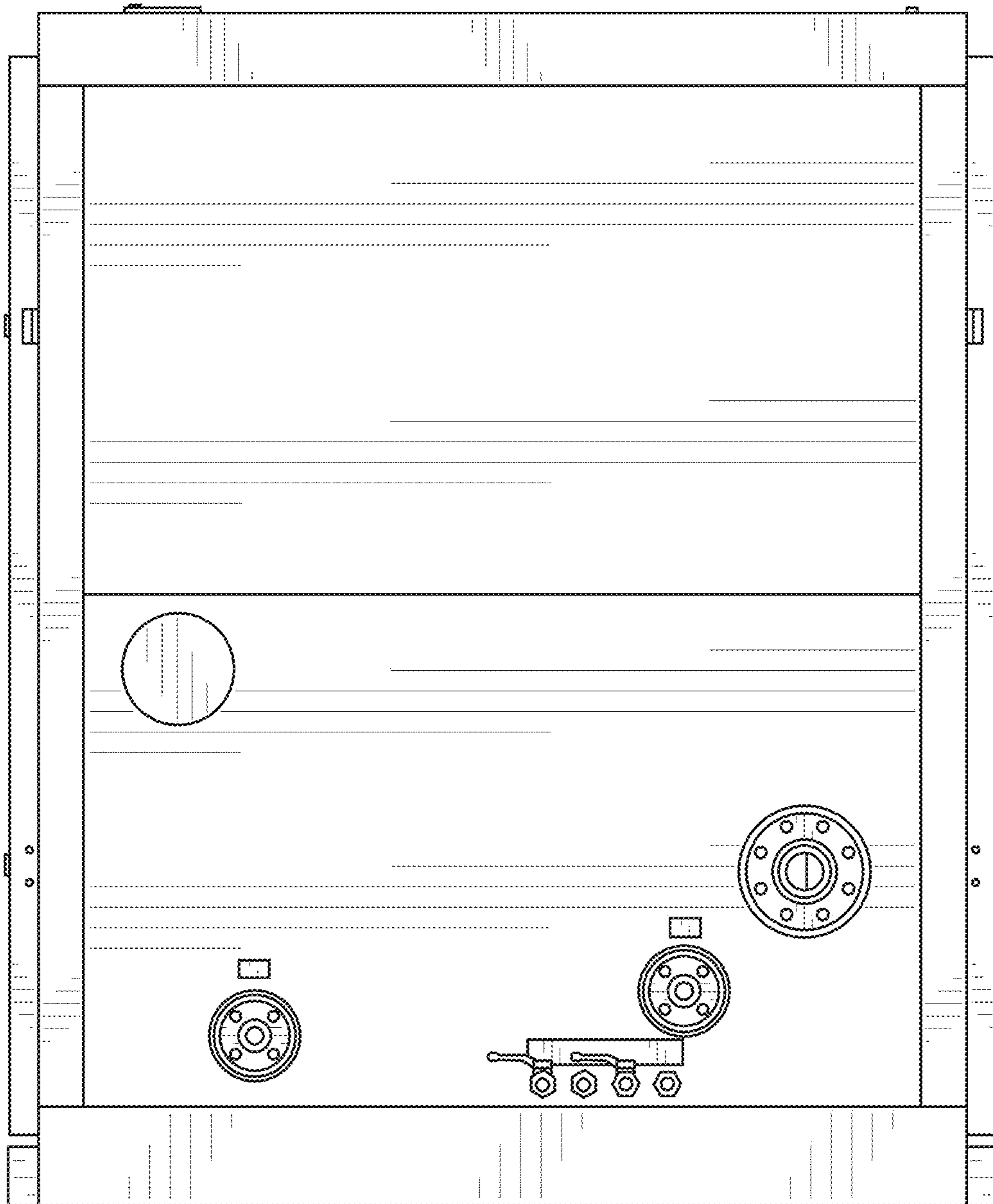
**FIG. 1**



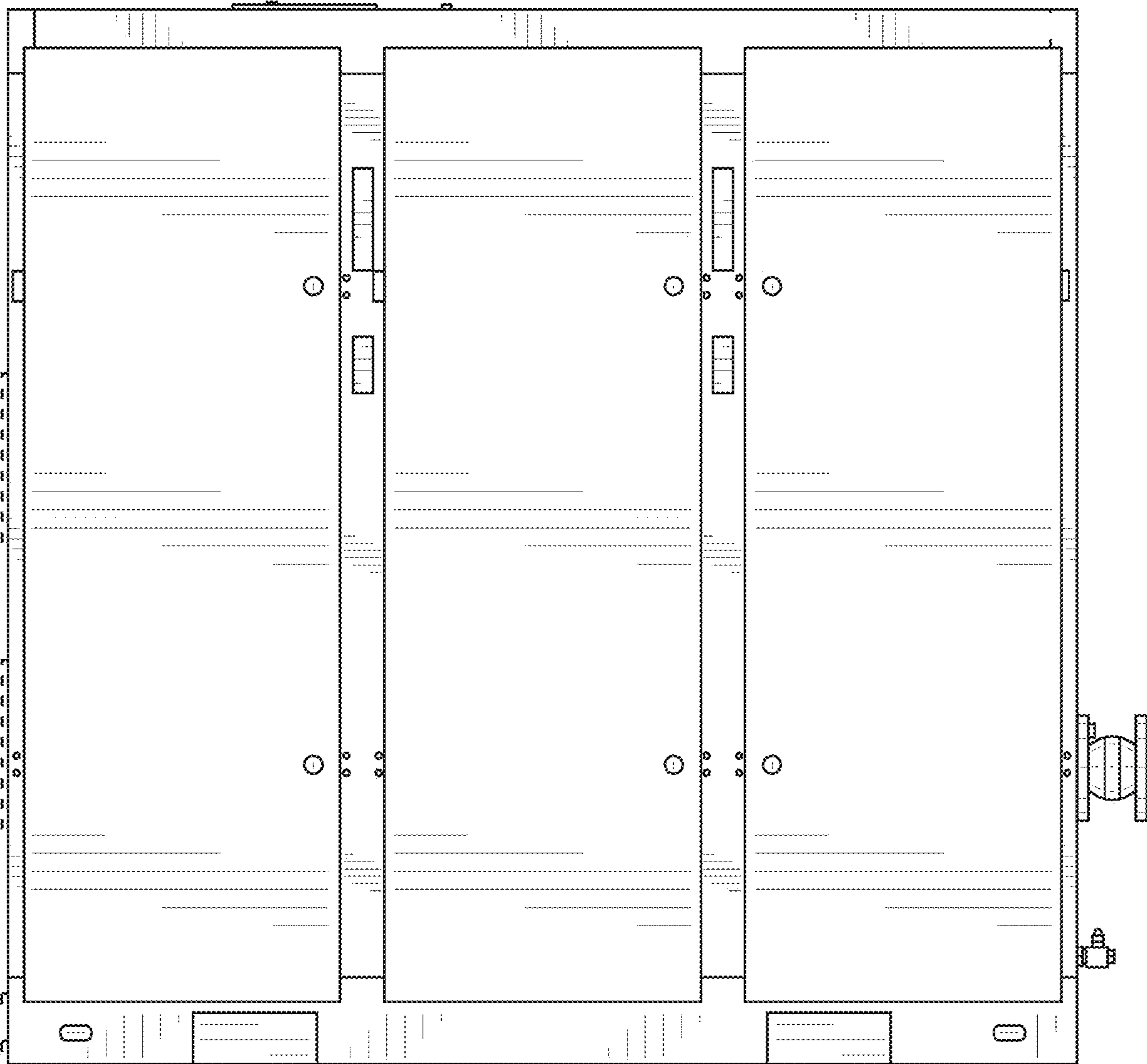
**FIG. 2**



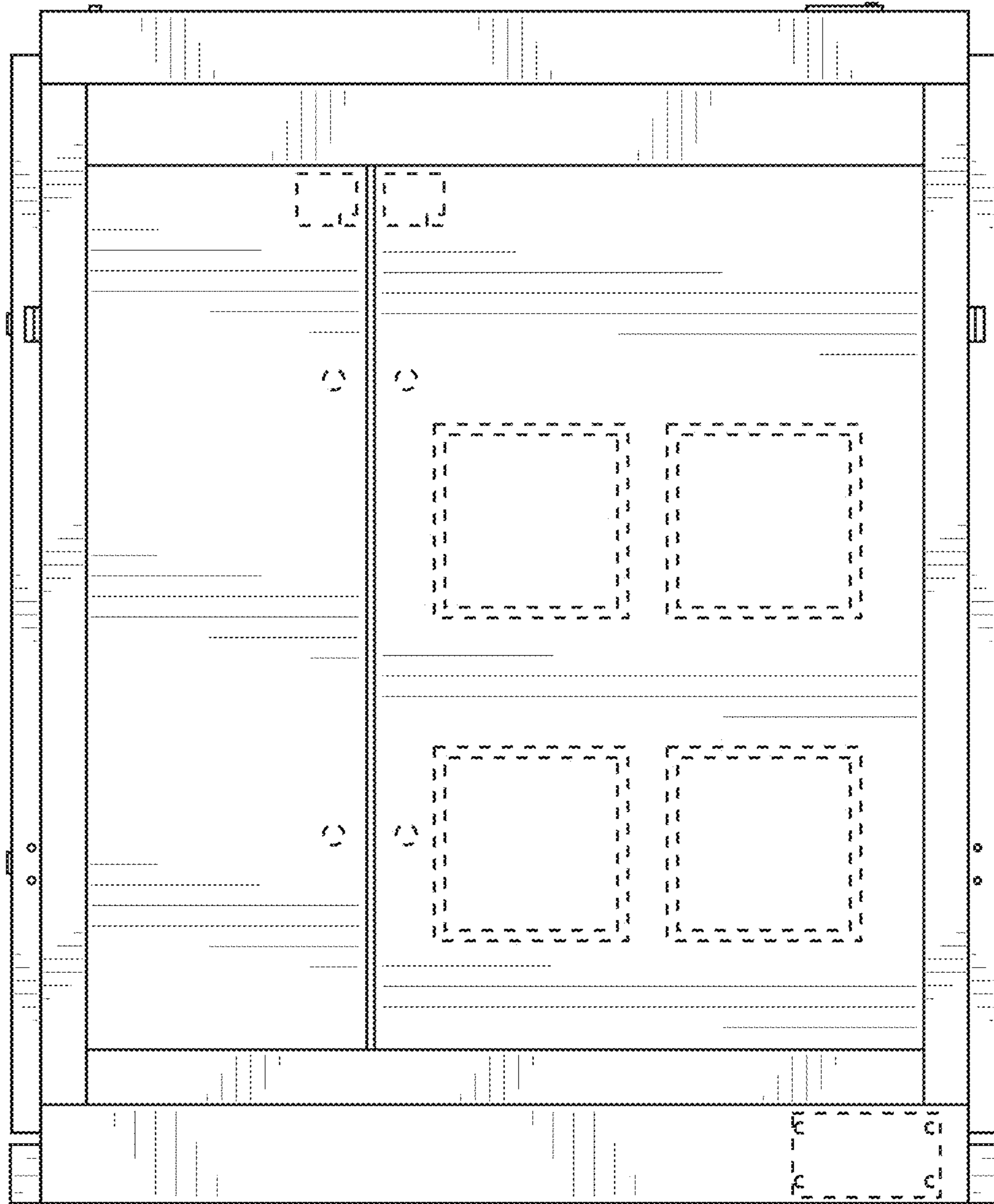
**FIG. 3**



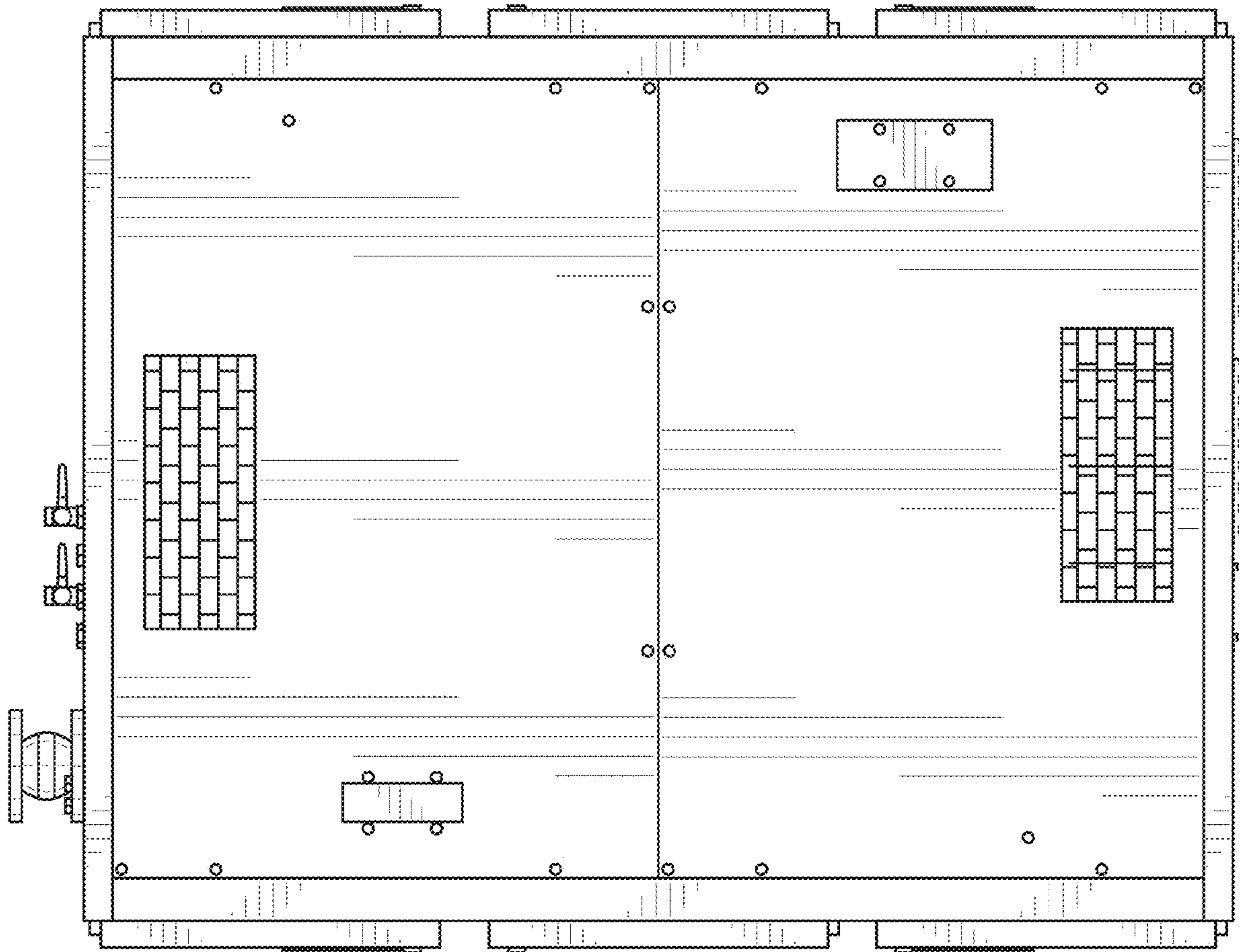
**FIG. 4**



**FIG. 5**



**FIG. 6**



**FIG. 7**