



US00D888773S

(12) **United States Design Patent**  
**Sato et al.**

(10) **Patent No.:** **US D888,773 S**

(45) **Date of Patent:** **\*\* Jun. 30, 2020**

(54) **FLUID PRESSURE CYLINDER**

(71) Applicant: **SMC CORPORATION**, Tokyo (JP)

(72) Inventors: **Soichi Sato**, Kashiwa (JP); **Ken Tamura**, Noda (JP); **Tsukasa Odaka**, Tsukubamirai (JP); **Seiichi Nagura**, Moriya (JP)

(73) Assignee: **SMC CORPORATION**, Tokyo (JP)

(\*\*) Term: **15 Years**

(21) Appl. No.: **29/678,168**

(22) Filed: **Jan. 25, 2019**

(30) **Foreign Application Priority Data**

Aug. 3, 2018 (JP) ..... 2018-017072  
Aug. 3, 2018 (JP) ..... 2018-017074

(51) **LOC (12) Cl.** ..... **15-02**

(52) **U.S. Cl.**  
USPC ..... **D15/7**

(58) **Field of Classification Search**  
USPC ..... D15/7-9; D23/231, 232, 225  
CPC .... F02M 37/04; F02M 31/14; F04D 29/4286;  
F15B 15/149; F15B 15/16; F15B  
15/1414; F15B 14/1919; F15B 15/26  
See application file for complete search history.

(56) **References Cited**

**U.S. PATENT DOCUMENTS**

D295,753 S \* 5/1988 LaBair ..... D15/7  
D301,583 S \* 6/1989 Herner ..... D15/7  
D303,393 S \* 9/1989 Stoll ..... D15/7  
D370,683 S \* 6/1996 Stahlman ..... D15/7

(Continued)

**FOREIGN PATENT DOCUMENTS**

JP D1317457 S 12/2007  
JP D1444539 S 6/2012

(Continued)

*Primary Examiner* — Mitchell I. Siegel

(74) *Attorney, Agent, or Firm* — Birch, Stewart, Kolasch & Birch, LLP

(57) **CLAIM**

The ornamental design for a fluid pressure cylinder, as shown and described.

**DESCRIPTION**

FIG. 1 is a front, top and left side perspective view of a fluid pressure cylinder showing a first embodiment of our new design;

FIG. 2 is a rear, bottom and right side perspective view thereof;

FIG. 3 is a front view thereof;

FIG. 4 is a rear view thereof;

FIG. 5 is a top plan view thereof;

FIG. 6 is a bottom plan view thereof;

FIG. 7 is a left side view thereof;

FIG. 8 is a right side view thereof;

FIG. 9 is a sectional view taken along the line 9-9 of FIG. 3;

FIG. 10 is a front, top and left side perspective view of a fluid pressure cylinder showing a second embodiment of our new design;

FIG. 11 is a rear, bottom and right side perspective view of FIG. 10;

FIG. 12 is a front view of FIG. 10;

FIG. 13 is a rear view of FIG. 10;

FIG. 14 is a top plan view of FIG. 10;

FIG. 15 is a bottom plan view of FIG. 10;

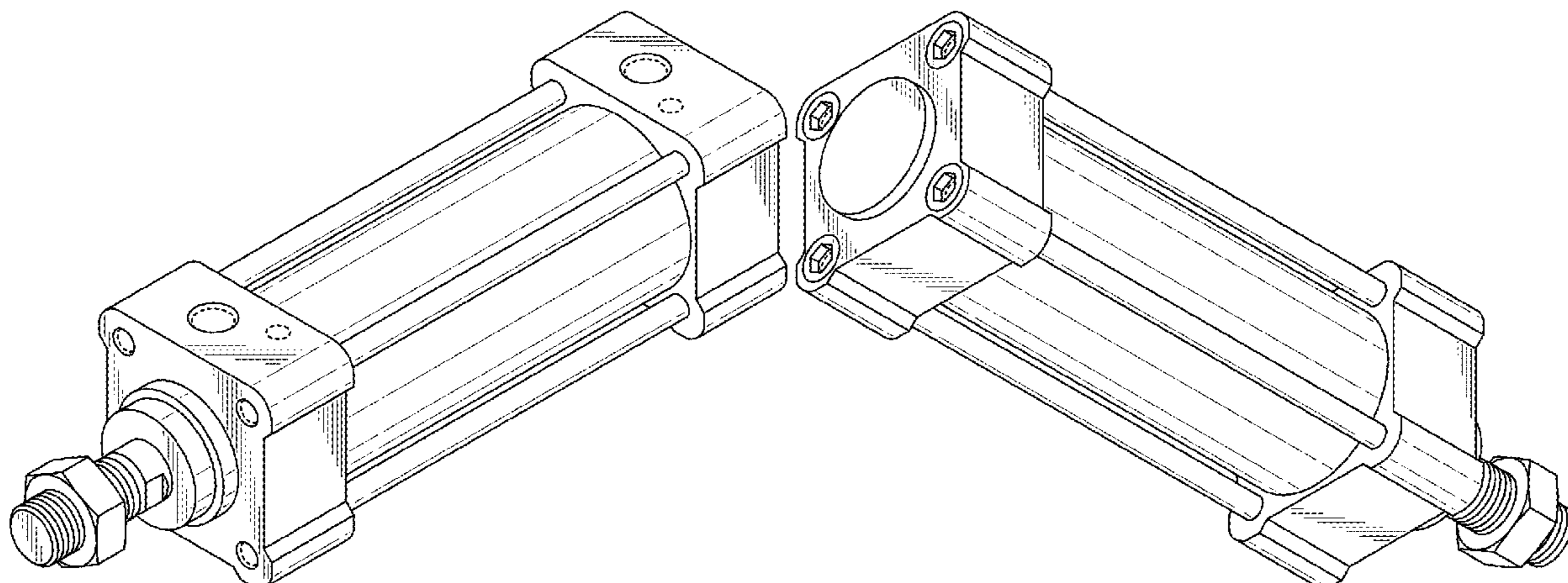
FIG. 16 is a left side view of FIG. 10;

FIG. 17 is a right side view of FIG. 10; and,

FIG. 18 is a sectional view taken along the line 18-18 of FIG. 12.

The broken lines depict portions of the fluid pressure cylinder that form no part of the claimed design.

**1 Claim, 18 Drawing Sheets**



(56)

References Cited

U.S. PATENT DOCUMENTS

D378,214 S \* 2/1997 Ikumi ..... D15/143  
 D378,680 S \* 4/1997 Ikumi ..... D15/7  
 D380,217 S \* 6/1997 Jermeay ..... D15/5  
 D408,420 S \* 4/1999 Buter ..... D15/7  
 D417,457 S \* 12/1999 Asahara ..... D15/7  
 D420,683 S \* 2/2000 Suzuki ..... D15/7  
 D428,617 S \* 7/2000 Hariwara ..... D15/7  
 D572,282 S \* 7/2008 Yaegashi ..... D15/143  
 D584,324 S \* 1/2009 Yaegashi ..... D15/143  
 D643,855 S \* 8/2011 Taniguchi ..... D15/7  
 D643,856 S \* 8/2011 Taniguchi ..... D15/7  
 D669,097 S \* 10/2012 Hariwara ..... D15/7  
 D669,098 S \* 10/2012 Hariwara ..... D15/7  
 D682,901 S \* 5/2013 Peschel ..... D15/143  
 D699,759 S \* 2/2014 Peschel ..... D15/7  
 D699,760 S \* 2/2014 Peschel ..... D15/7  
 D699,761 S \* 2/2014 Peschel ..... D15/7  
 D757,120 S \* 5/2016 Kudo ..... D15/7  
 D760,805 S \* 7/2016 Monden ..... D15/7

D772,302 S \* 11/2016 Kudo ..... D15/7  
 D780,228 S \* 2/2017 Kudo ..... D15/7  
 D780,229 S \* 2/2017 Kudo ..... D15/7  
 D805,559 S \* 12/2017 Kudo ..... D15/7  
 D805,560 S \* 12/2017 Kudo ..... D15/7  
 D819,700 S \* 6/2018 Kudo ..... D15/7  
 D820,321 S \* 6/2018 Kudo ..... D15/7  
 D825,616 S \* 8/2018 Monden ..... D15/9  
 D826,285 S \* 8/2018 Yaegashi ..... D15/9  
 D861,041 S \* 9/2019 Morita ..... D15/7  
 D861,042 S \* 9/2019 Morita ..... D15/7  
 D867,399 S \* 11/2019 Morita ..... D15/7  
 D869,511 S \* 12/2019 Iwama ..... D15/9  
 2017/0298931 A1 \* 10/2017 Kudo ..... F15B 15/2861  
 2019/0195248 A1 \* 6/2019 Kudo ..... F15B 15/1428

FOREIGN PATENT DOCUMENTS

JP D1444540 S 6/2012  
 JP D1520205 S 3/2015  
 JP D1575588 S 5/2017

\* cited by examiner

FIG. 1

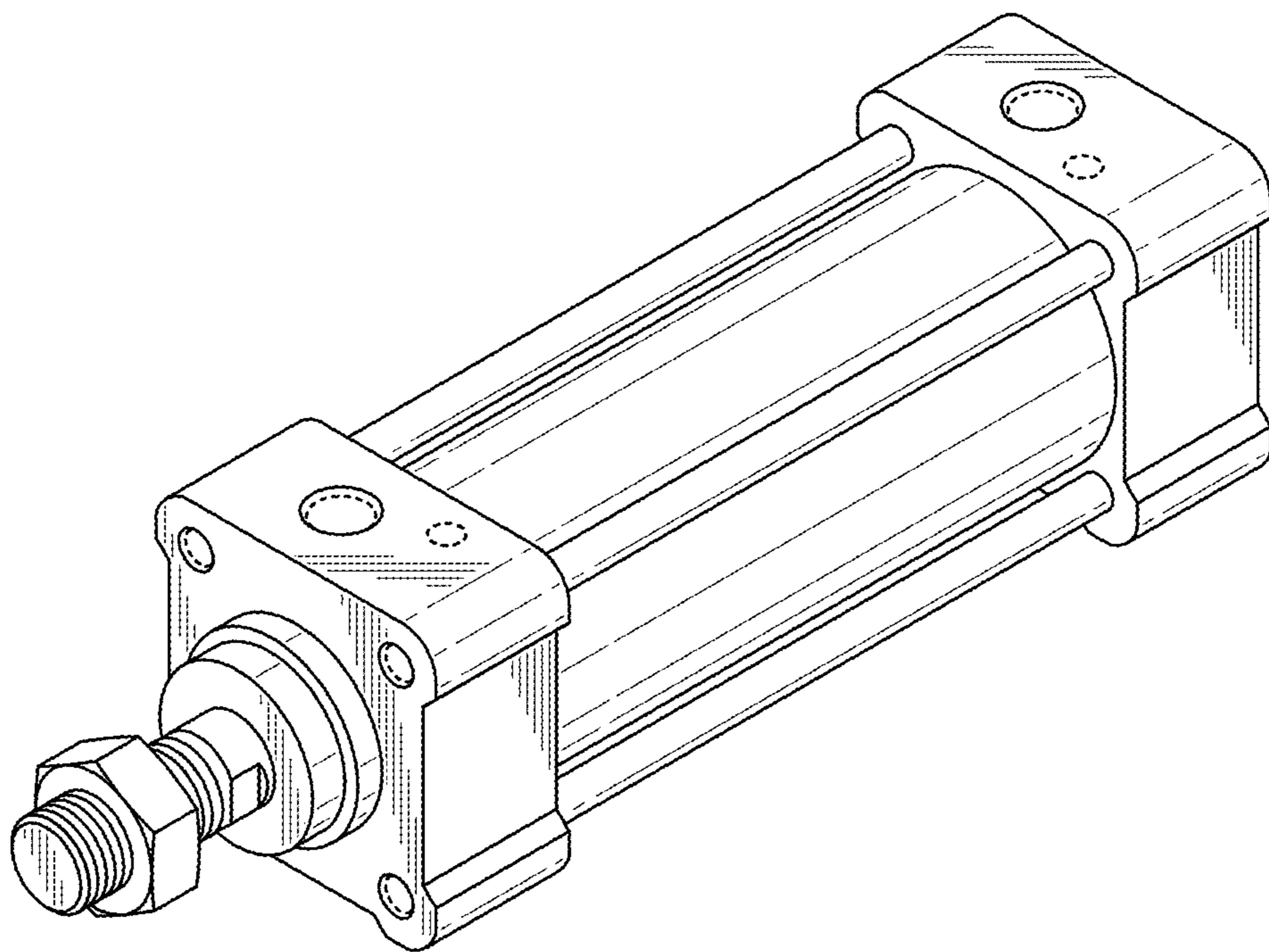


FIG. 2

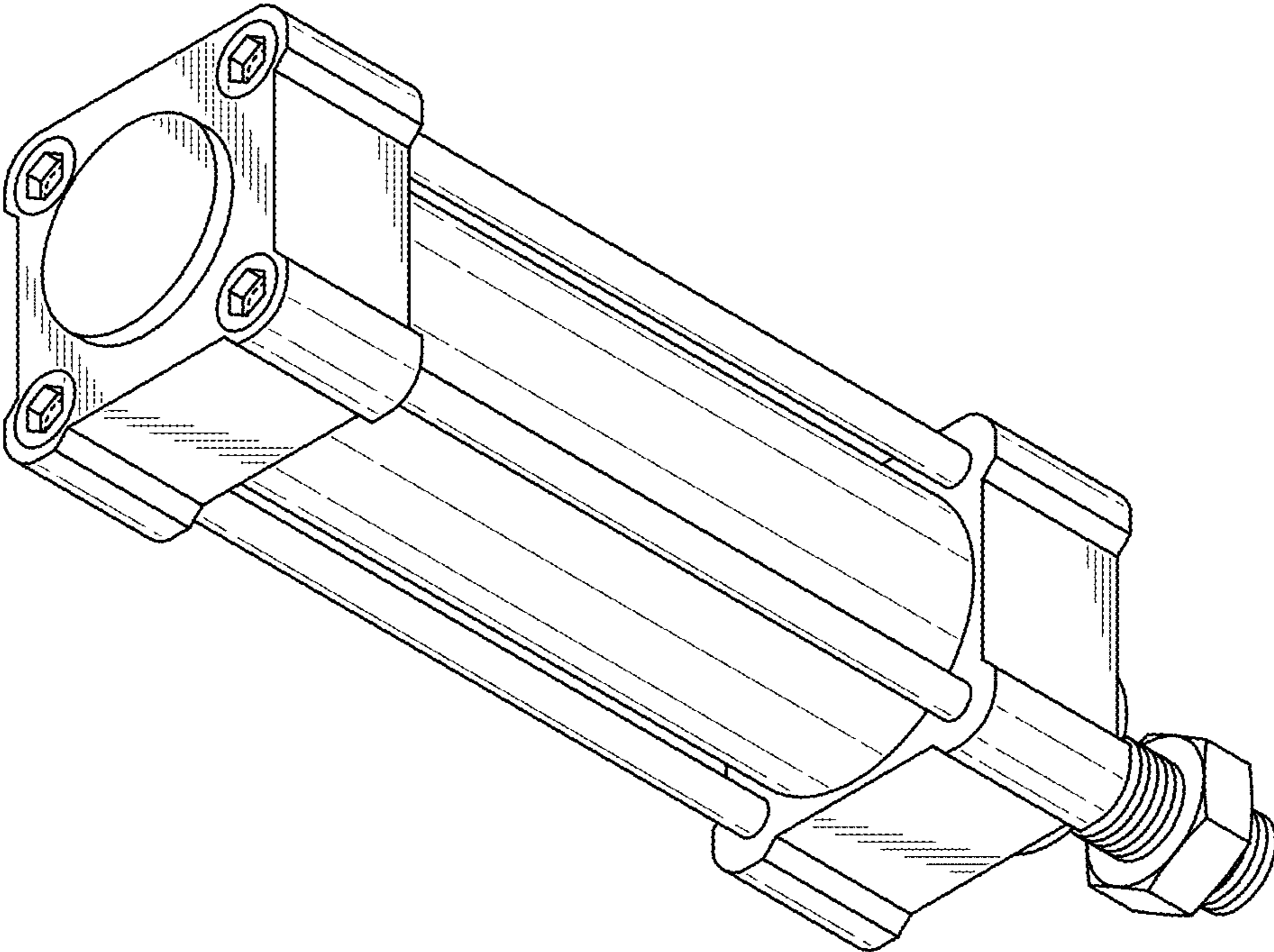


FIG. 3

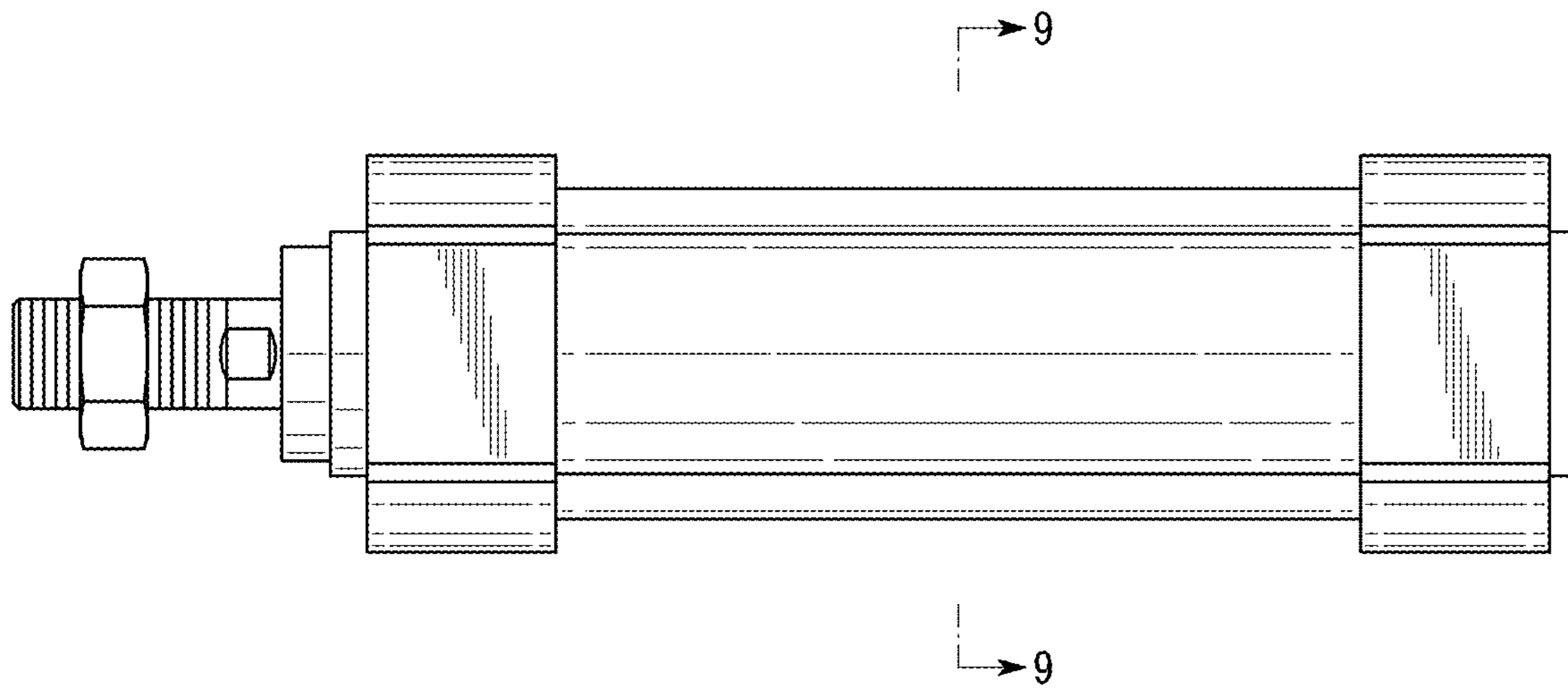


FIG. 4

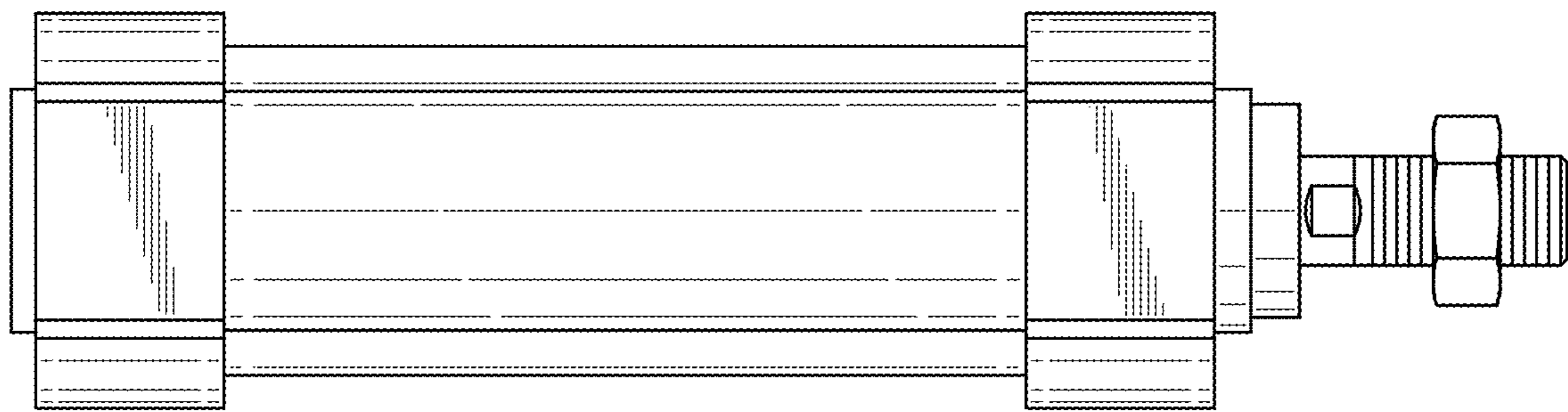


FIG. 5

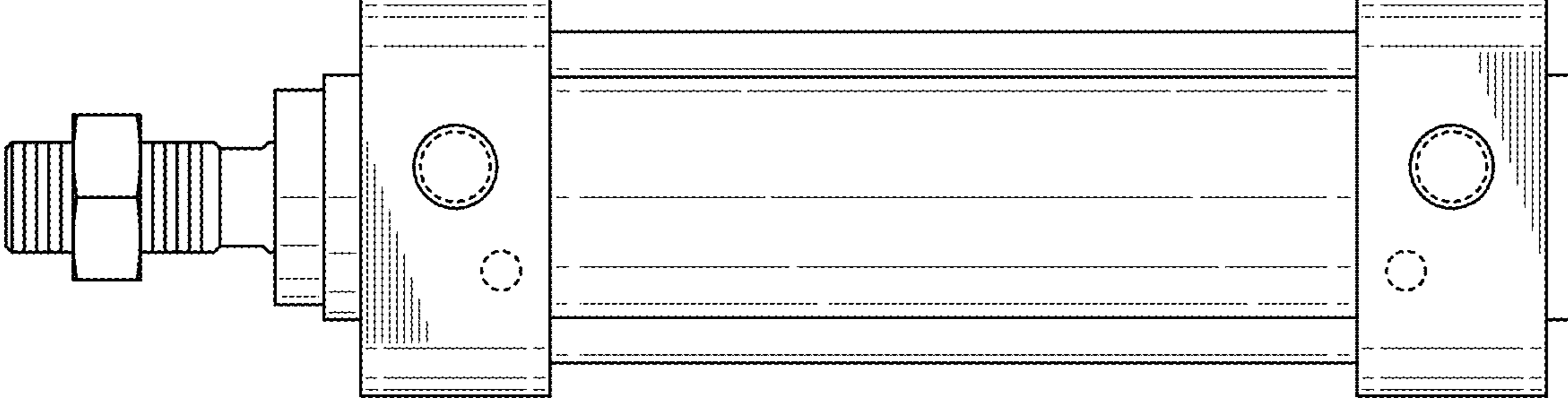


FIG. 6

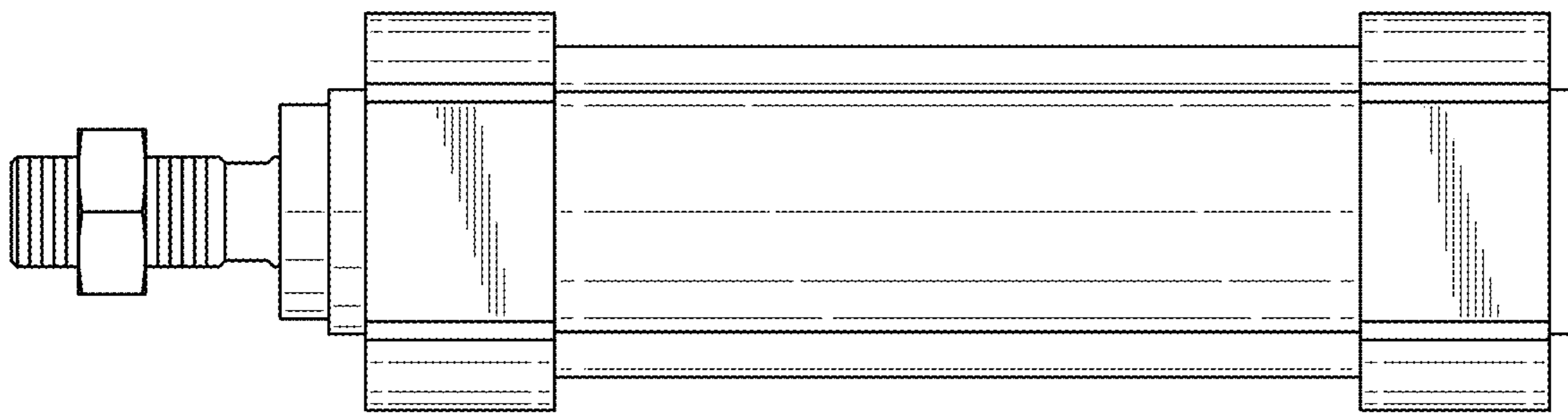




FIG. 7

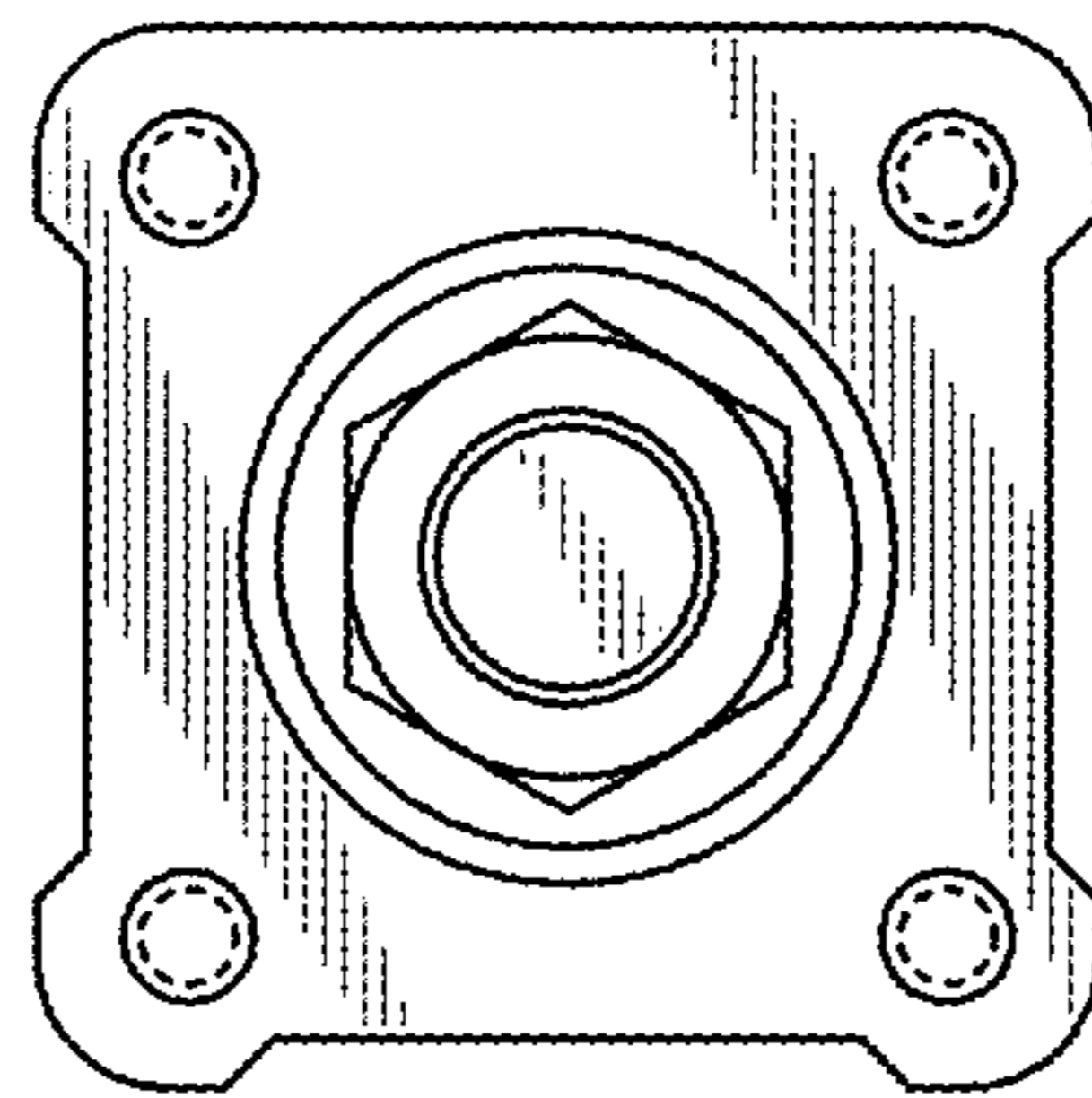


FIG. 8

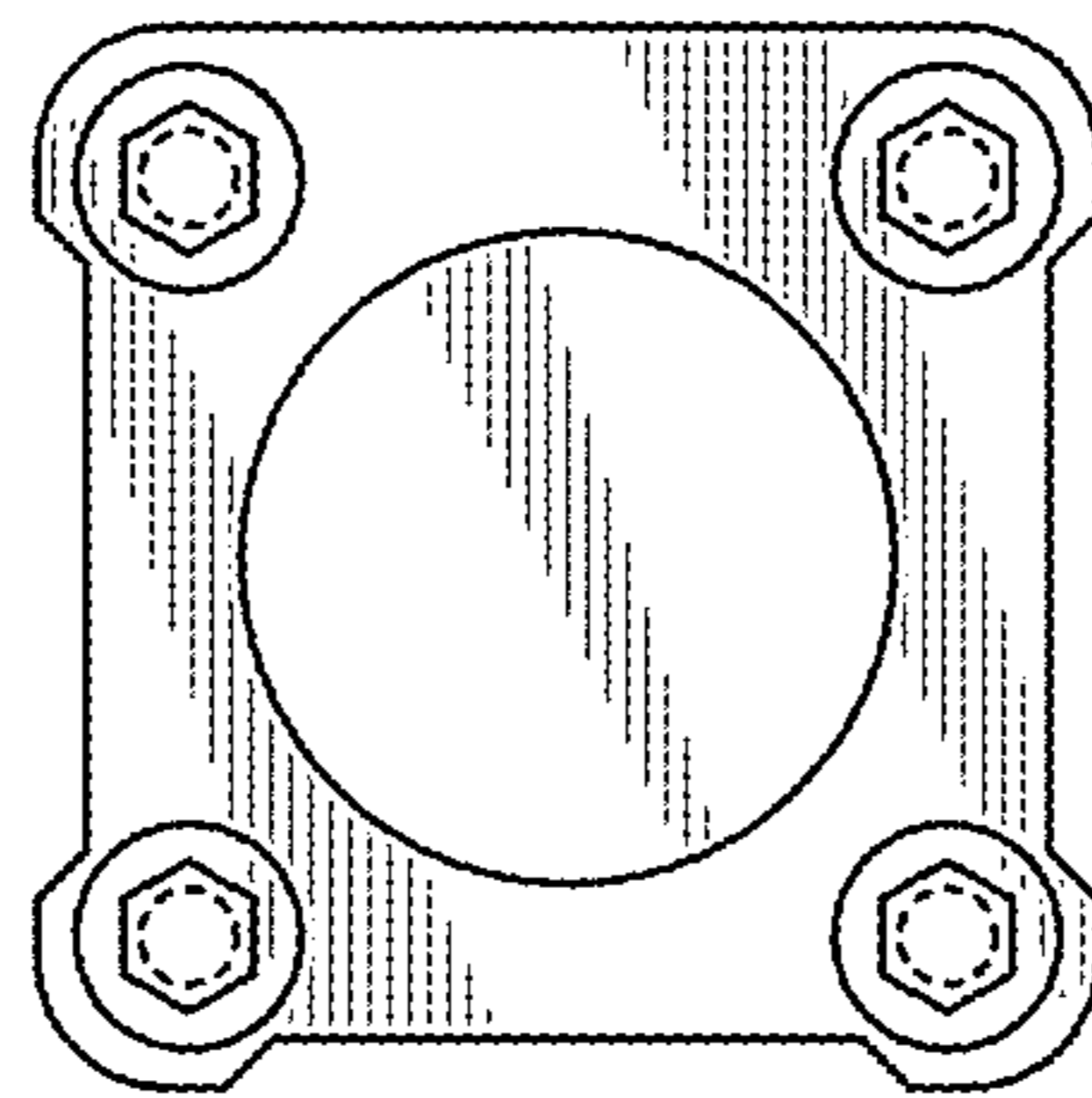


FIG. 9

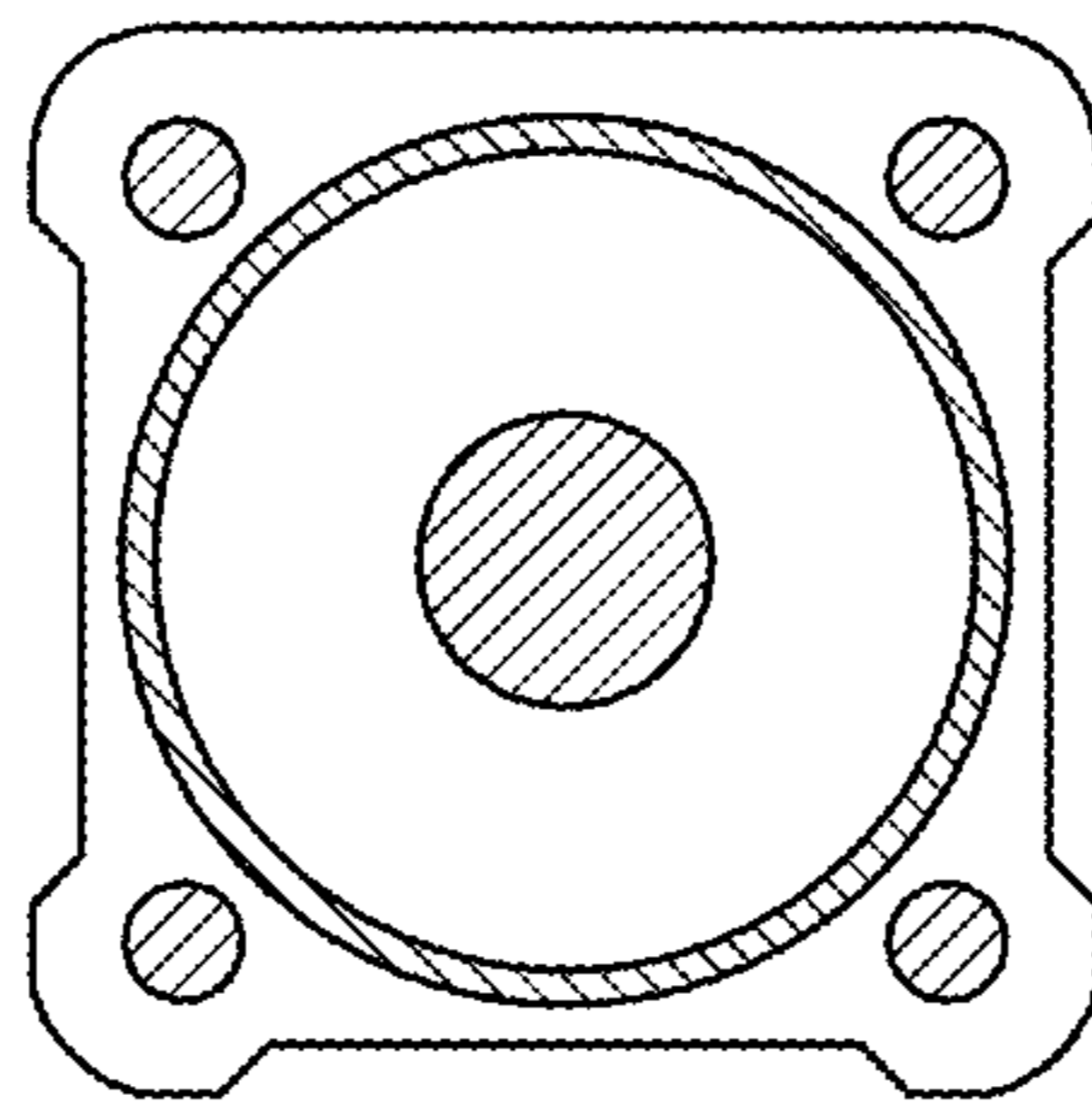


FIG. 10

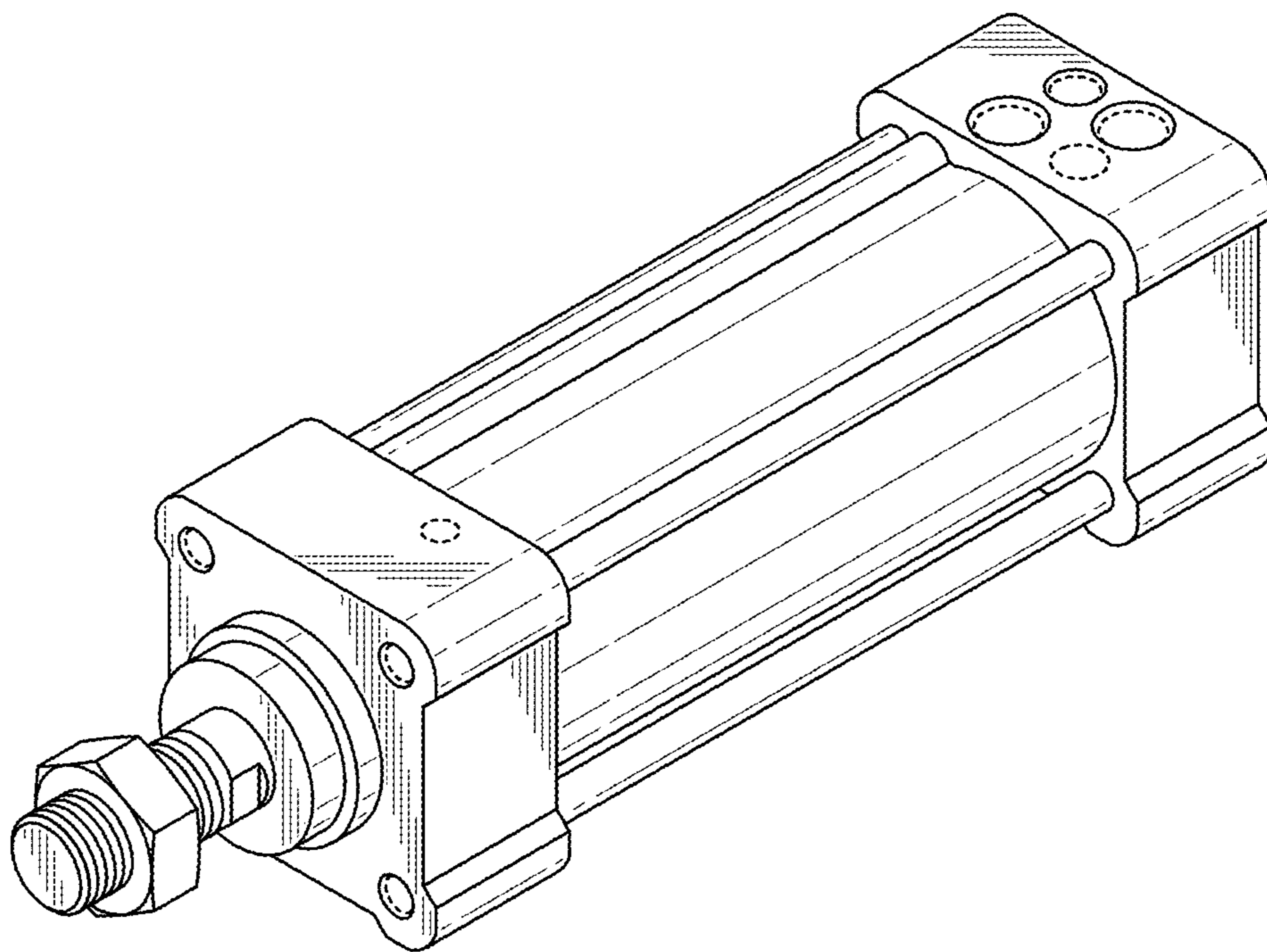


FIG. 11

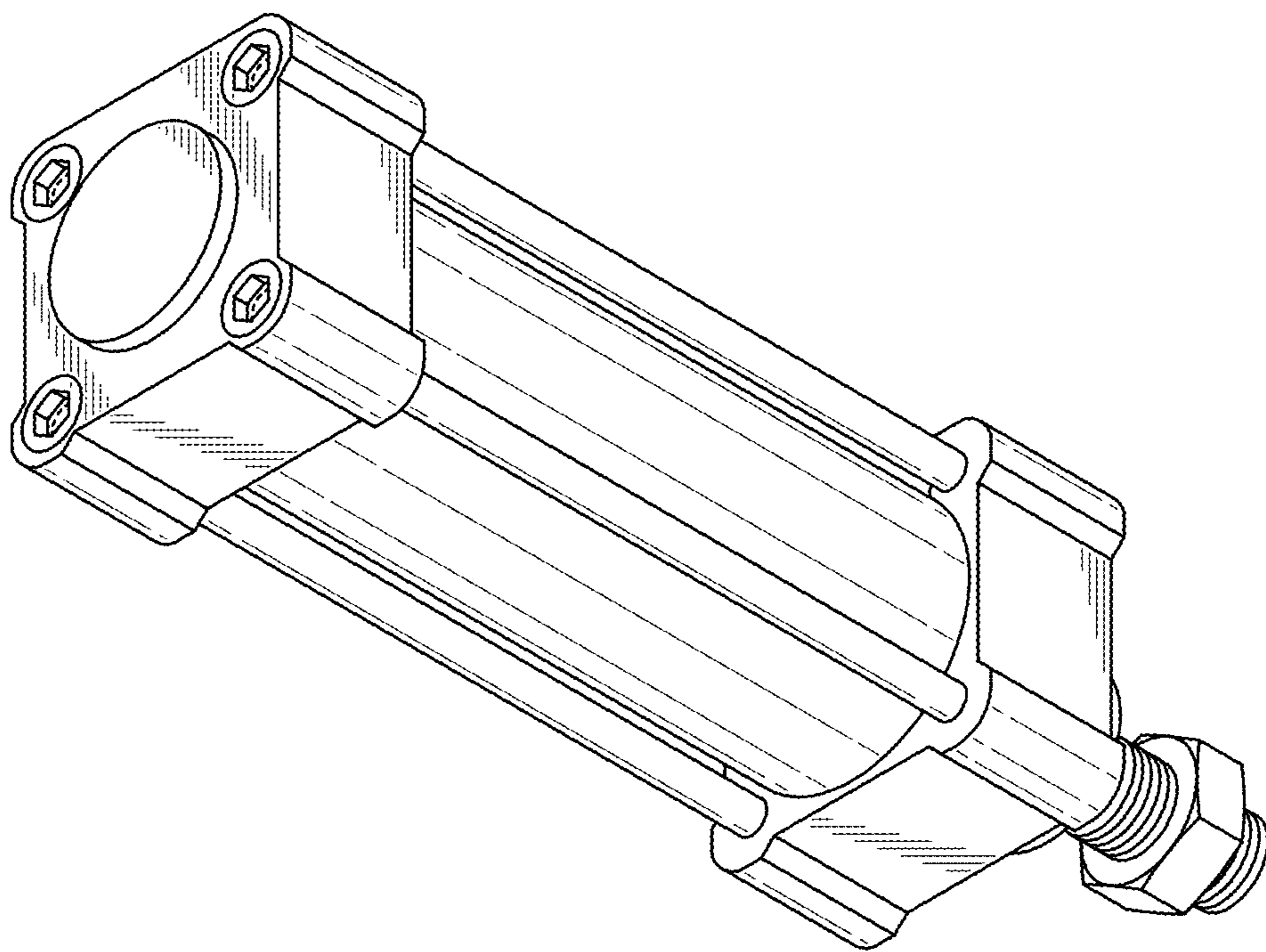


FIG. 12

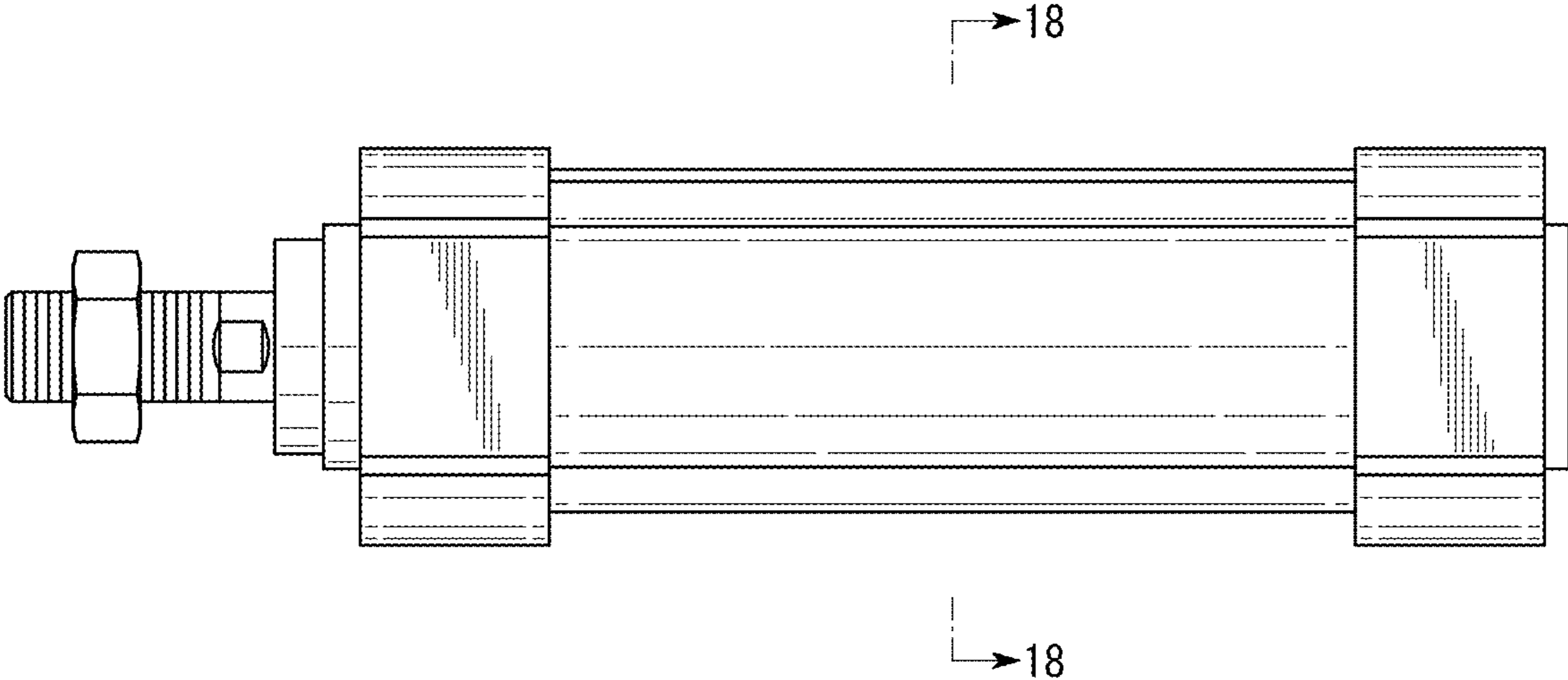


FIG. 13

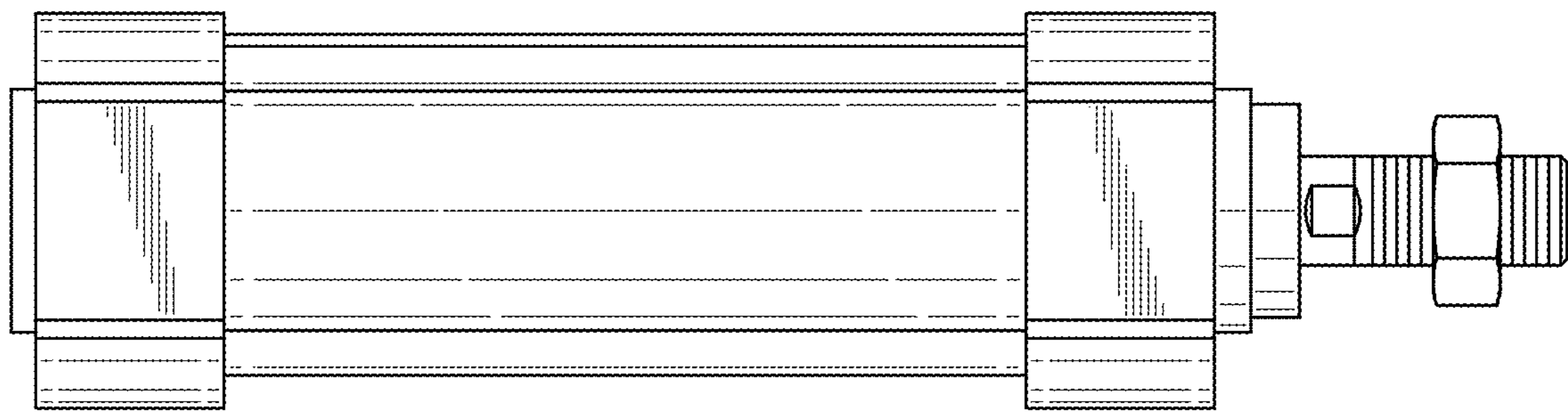


FIG. 14

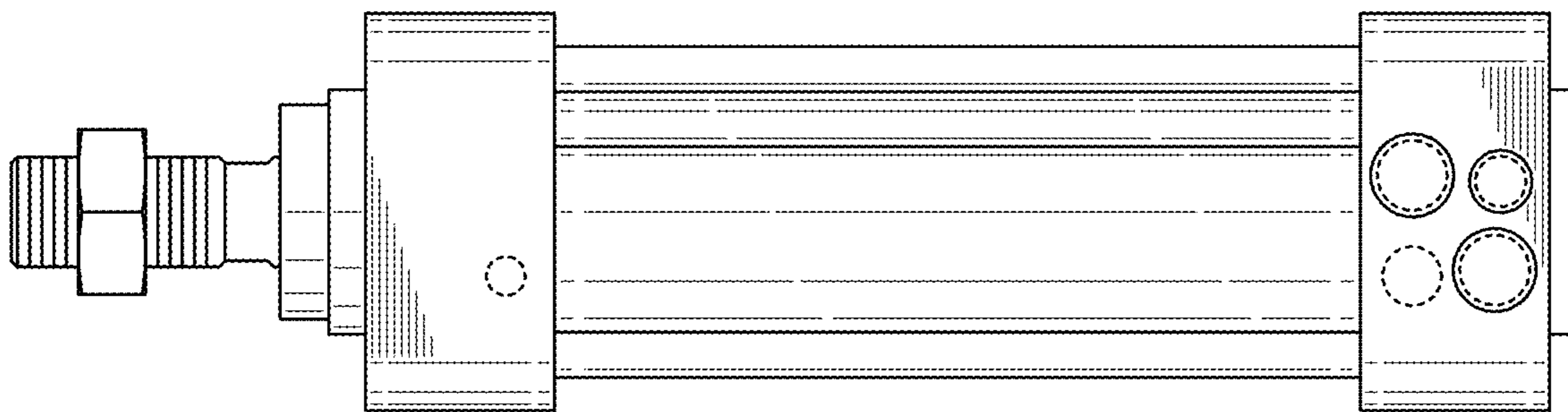




FIG. 15

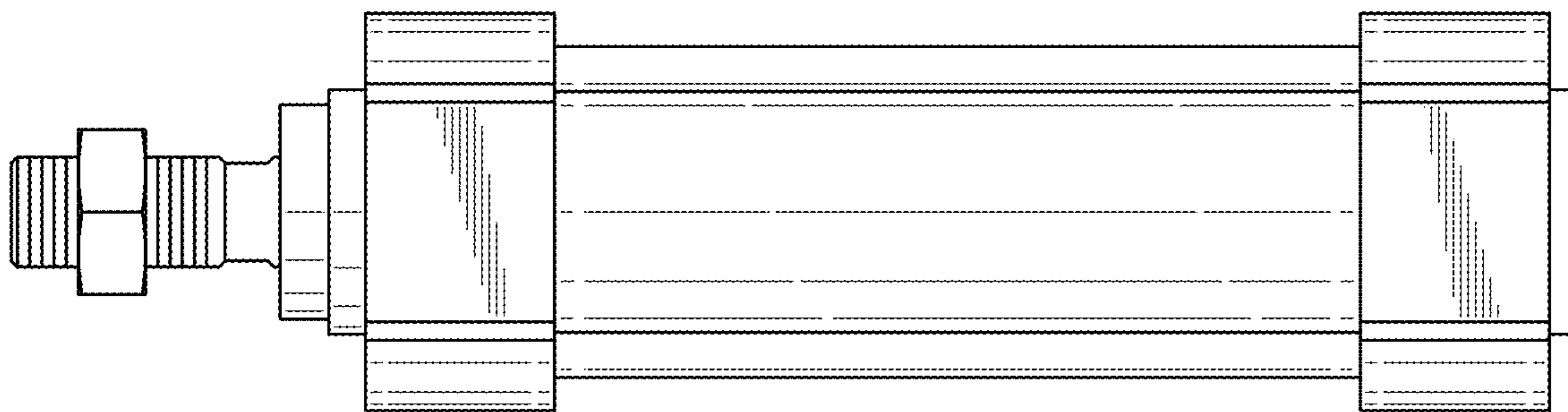


FIG. 16

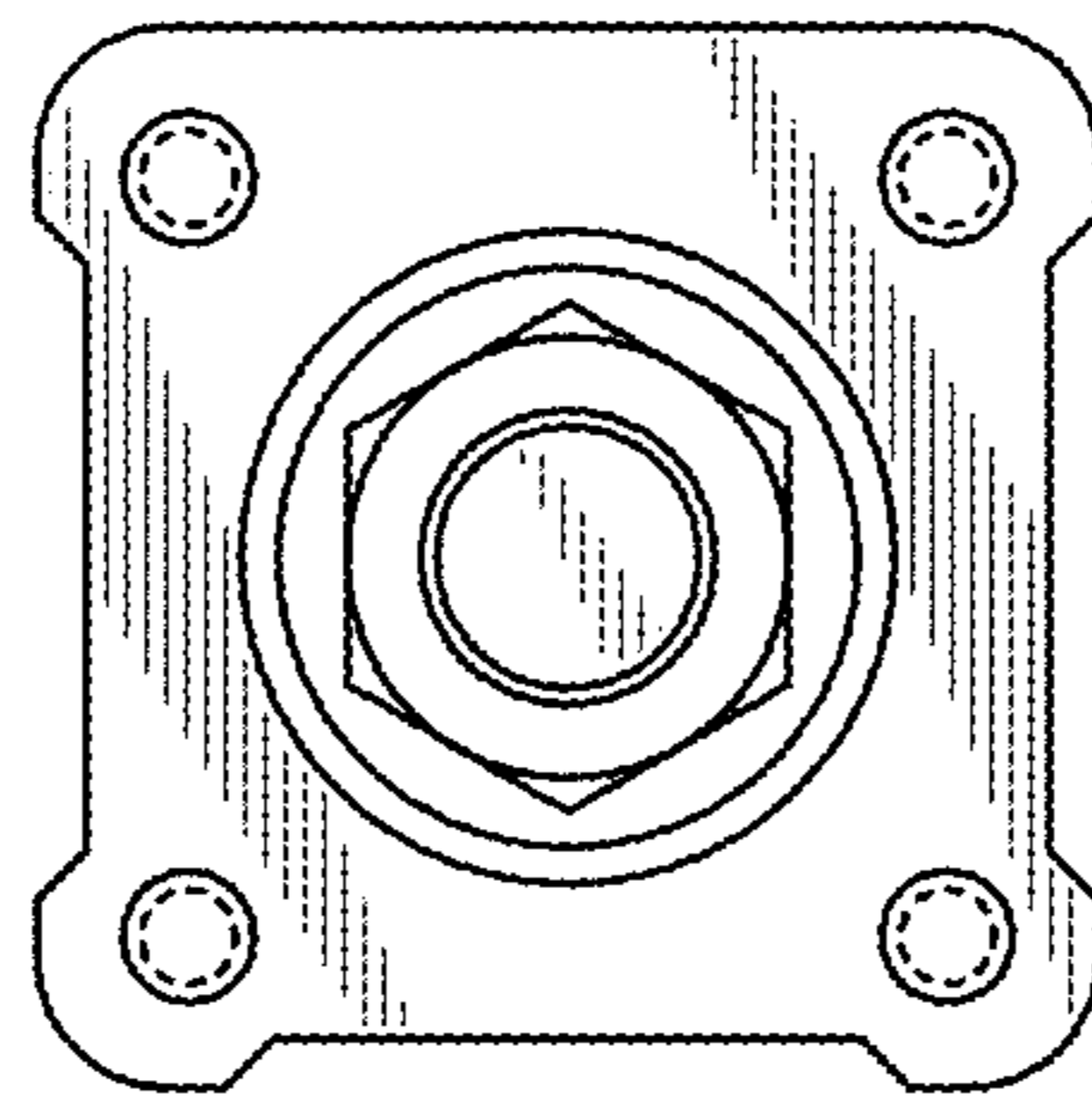


FIG. 17

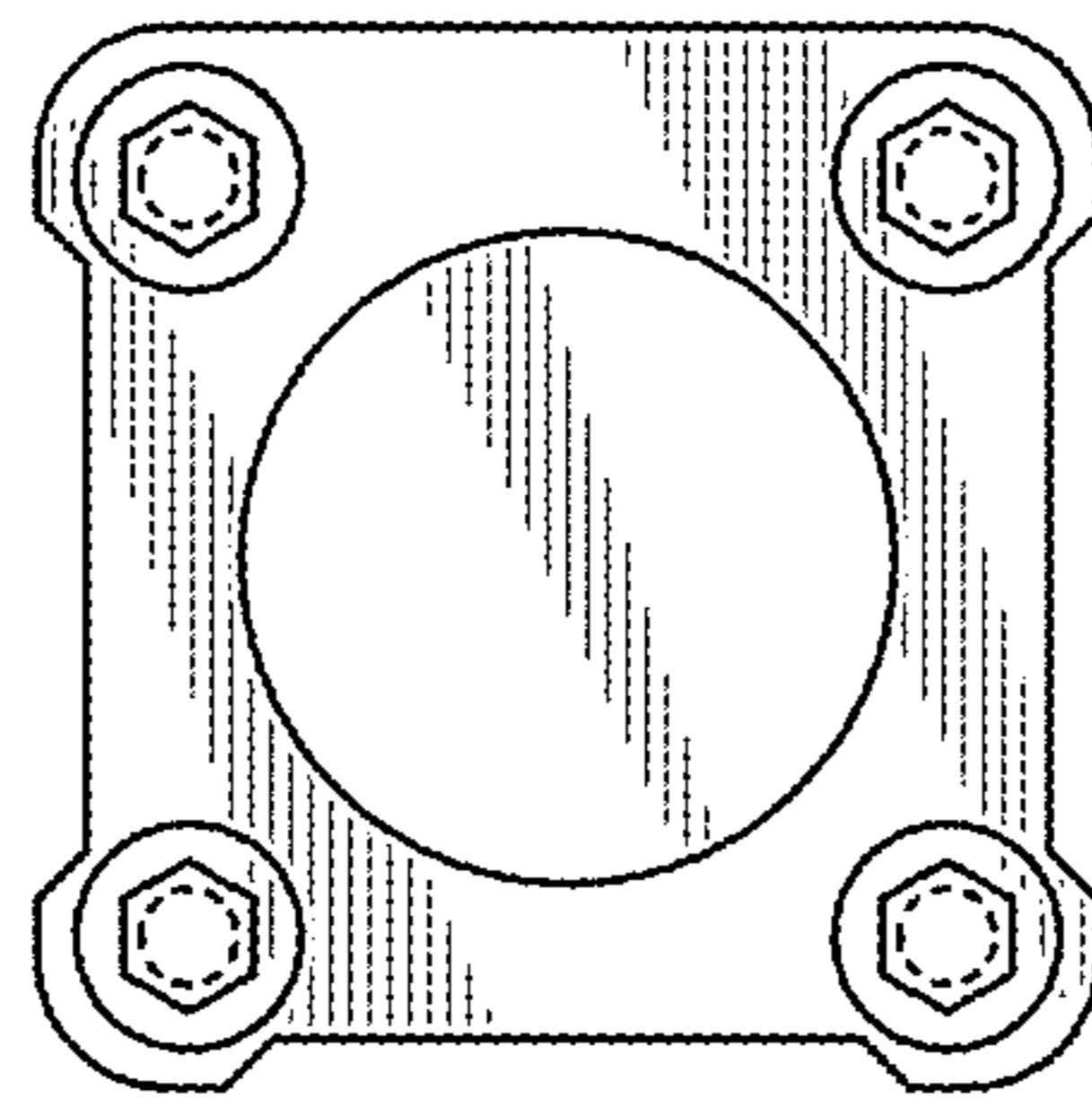


FIG. 18

